



US00D446592B1

(12) **United States Design Patent**  
**Leen**

(10) **Patent No.:** **US D446,592 S**

(45) **Date of Patent:** **\*\* Aug. 14, 2001**

(54) **WORK LIGHT HEAD LAMP**

D. 383,229 \* 9/1997 Kiichiro ..... D26/39

\* cited by examiner

(76) **Inventor:** **Monte A. Leen**, 11730 NE. 12th St.,  
Bellevue, WA (US) 98005

*Primary Examiner*—Susan J. Lucas  
(74) *Attorney, Agent, or Firm*—Dean A. Craine

(\*\*) **Term:** **14 Years**

(57) **CLAIM**

The ornamental design for a work light head lamp, as shown and described.

(21) **Appl. No.:** **29/139,663**

(22) **Filed:** **Apr. 4, 2001**

**DESCRIPTION**

(51) **LOC (7) Cl.** ..... **26-05**

(52) **U.S. Cl.** ..... **D26/63; D26/39**

(58) **Field of Search** ..... D26/37, 60-66,  
D26/105, 106; 362/269, 277, 282, 285,  
396, 418, 419, 426, 428, 393, 401; 340/321

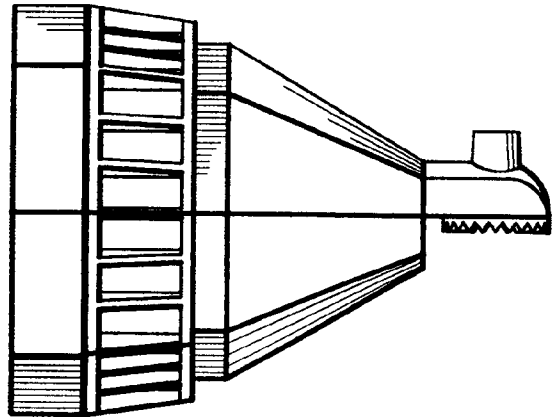
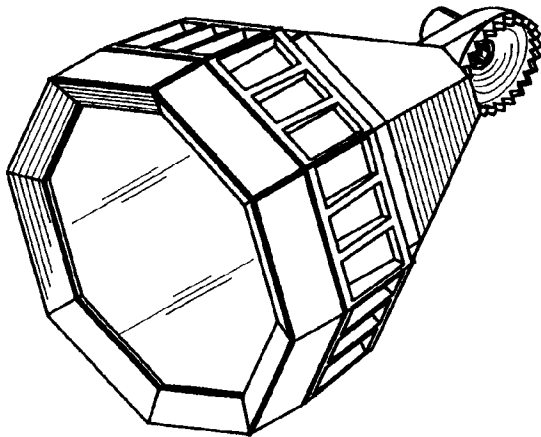
FIG. 1 is a perspective view of the work light head lamp.  
FIG. 2 is a top plan view of the invention.  
FIG. 3 is a bottom plan view of the invention.  
FIG. 4 is a right side elevation view of the invention.  
FIG. 5 is a left side elevation view of the invention.  
FIG. 6 is a front elevation view of the invention; and,  
FIG. 7 is a rear elevation view of the invention.

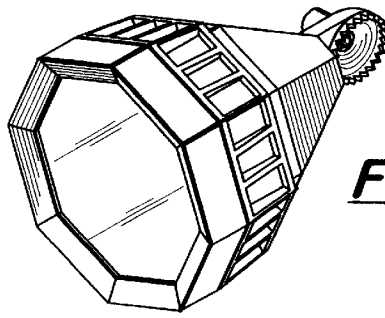
(56) **References Cited**

**U.S. PATENT DOCUMENTS**

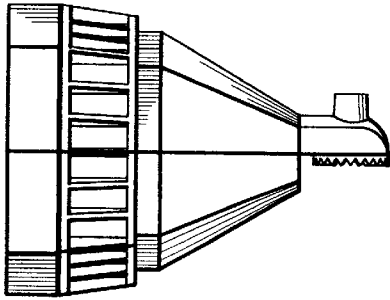
D. 259,962 \* 7/1981 Sassmannhausen ..... D26/37

**1 Claim, 1 Drawing Sheet**

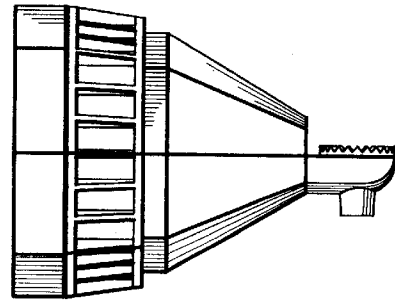




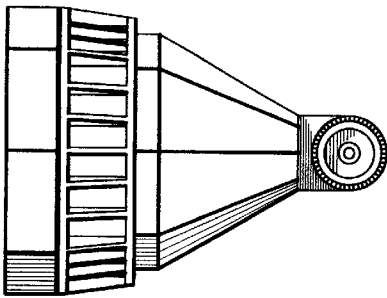
**FIG. 1**



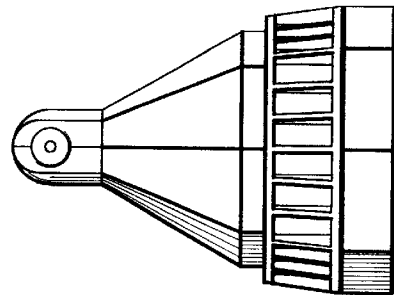
**FIG. 2**



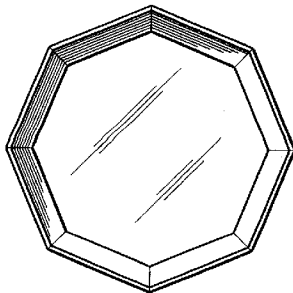
**FIG. 3**



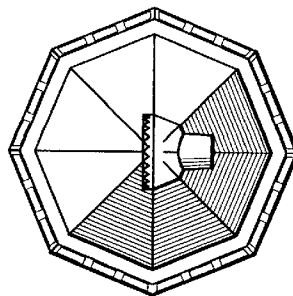
**FIG. 4**



**FIG. 5**



**FIG. 6**



**FIG. 7**