



US00D384154S

# United States Patent [19]

[11] Patent Number: **Des. 384,154**

**Malmen et al.**

[45] Date of Patent: **\*\*Sep. 23, 1997**

[54] **DENTAL CARE UNIT**

D. 347,065	5/1994	Castellini .....	D24/178
4,114,274	9/1978	Jones .....	433/79 X
4,430,062	2/1984	Henrichsen et al. ....	433/28
4,610,630	9/1986	Betush .....	433/79

[75] Inventors: **Kari Malmen, Helsinki; Jan Frojzman, Soderkulla, both of Finland**

[73] Assignee: **Planmeca Oy, Helsinki, Finland**

*Primary Examiner*—Kay H. Chin  
*Attorney, Agent, or Firm*—Steinberg, Raskin & Davidson, P.C.

[\*\*] Term: **14 Years**

[21] Appl. No.: **43,905**

### [57] CLAIM

[22] Filed: **Sep. 14, 1995**

The ornamental design for a dental care unit, as shown and described.

### [30] Foreign Application Priority Data

### DESCRIPTION

Mar. 15, 1995 [FI] Finland ..... 194/95

FIG. 1 is a left, front perspective view of a dental care unit showing my new design;

[51] LOC (6) CL ..... **24-01**

FIG. 2 is also a left, front perspective view thereof;

[52] U.S. CL ..... **D24/178**

FIG. 3 is a right side view thereof;

[58] Field of Search ..... D24/176-182;

FIG. 4 is a right, rear perspective view thereof;

433/79, 28, 101, 100, 27

FIG. 5 is a bottom view thereof;

### [56] References Cited

FIG. 6 is a left, rear perspective view thereof; and,

#### U.S. PATENT DOCUMENTS

FIG. 7 is a right, front perspective view thereof.

D. 221,765 9/1971 Johnston ..... D24/178

**1 Claim, 7 Drawing Sheets**

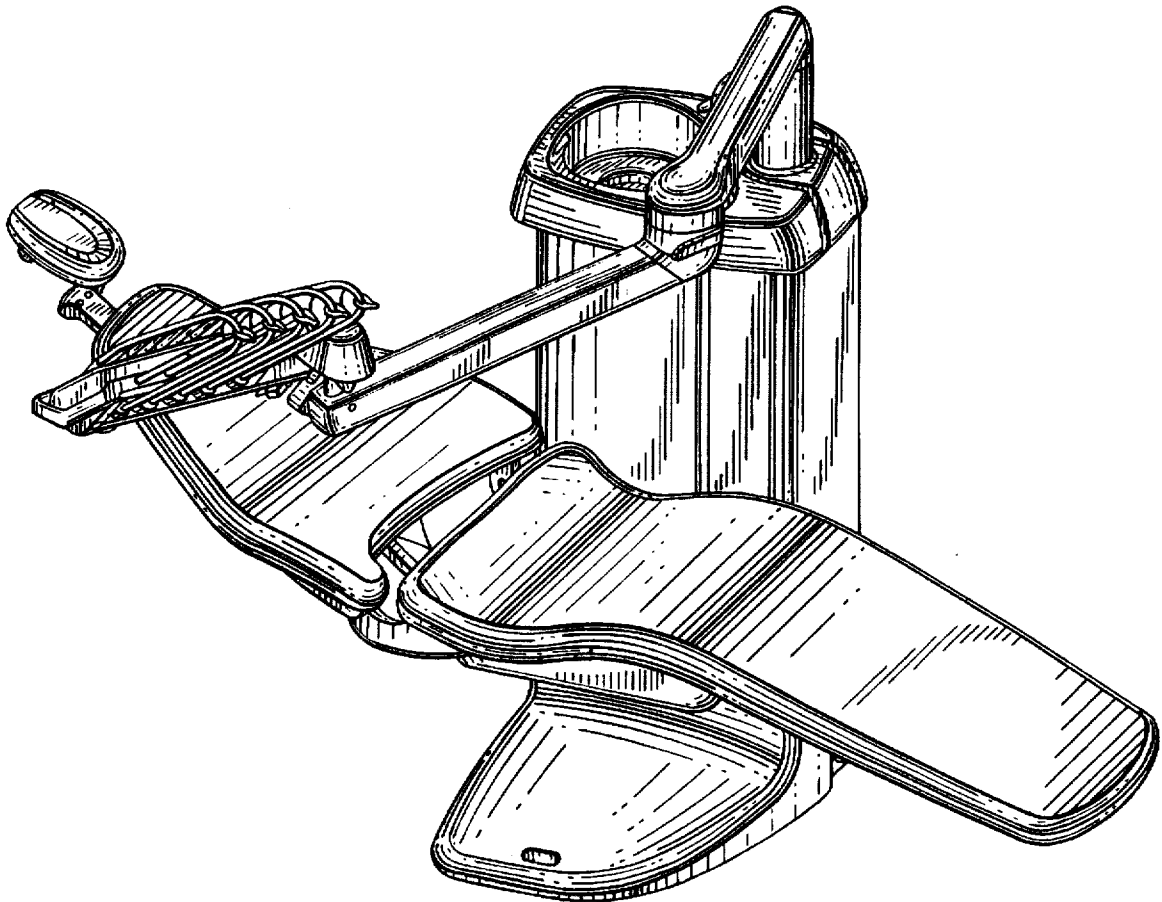
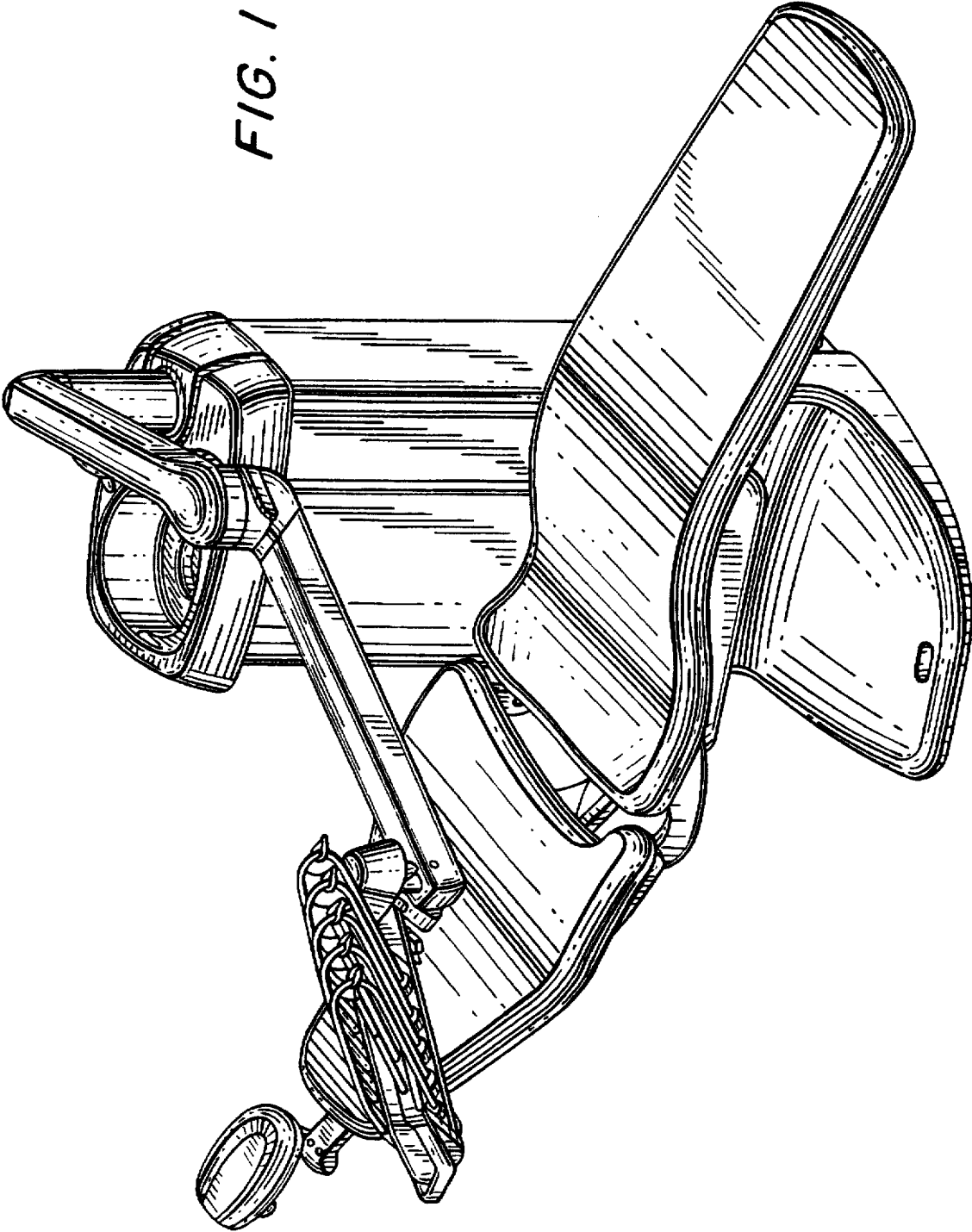


FIG. 1



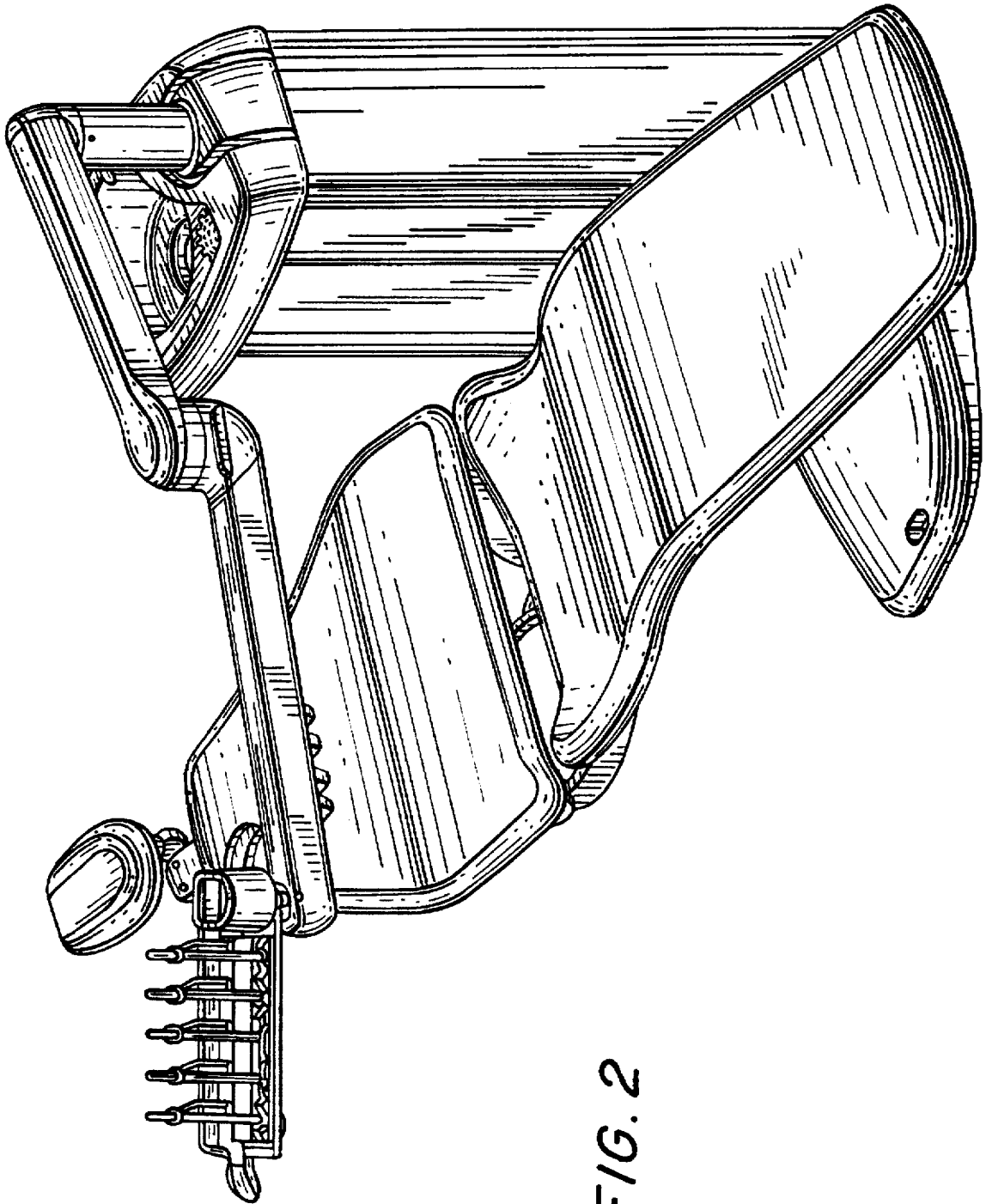


FIG. 2

FIG. 3

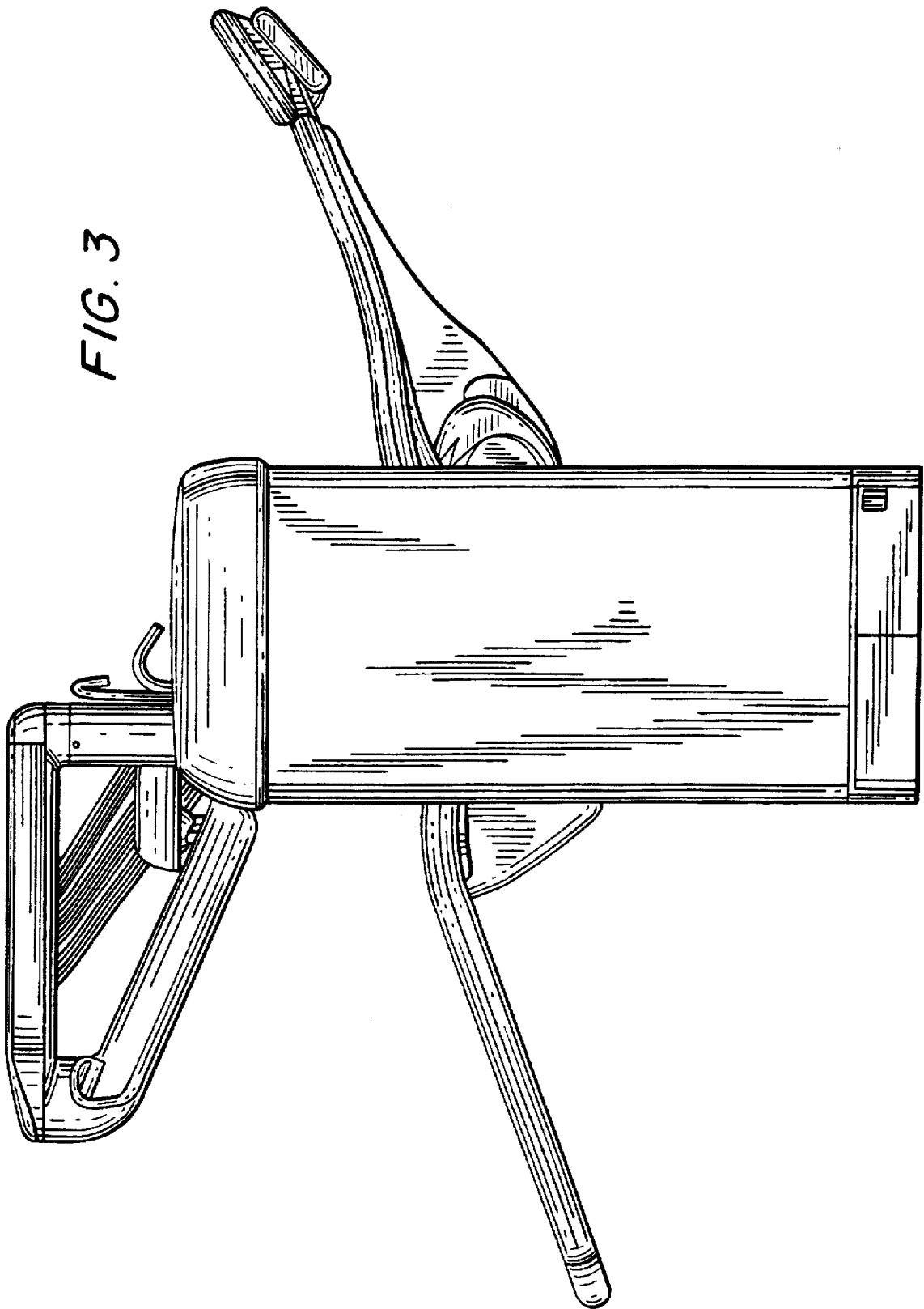
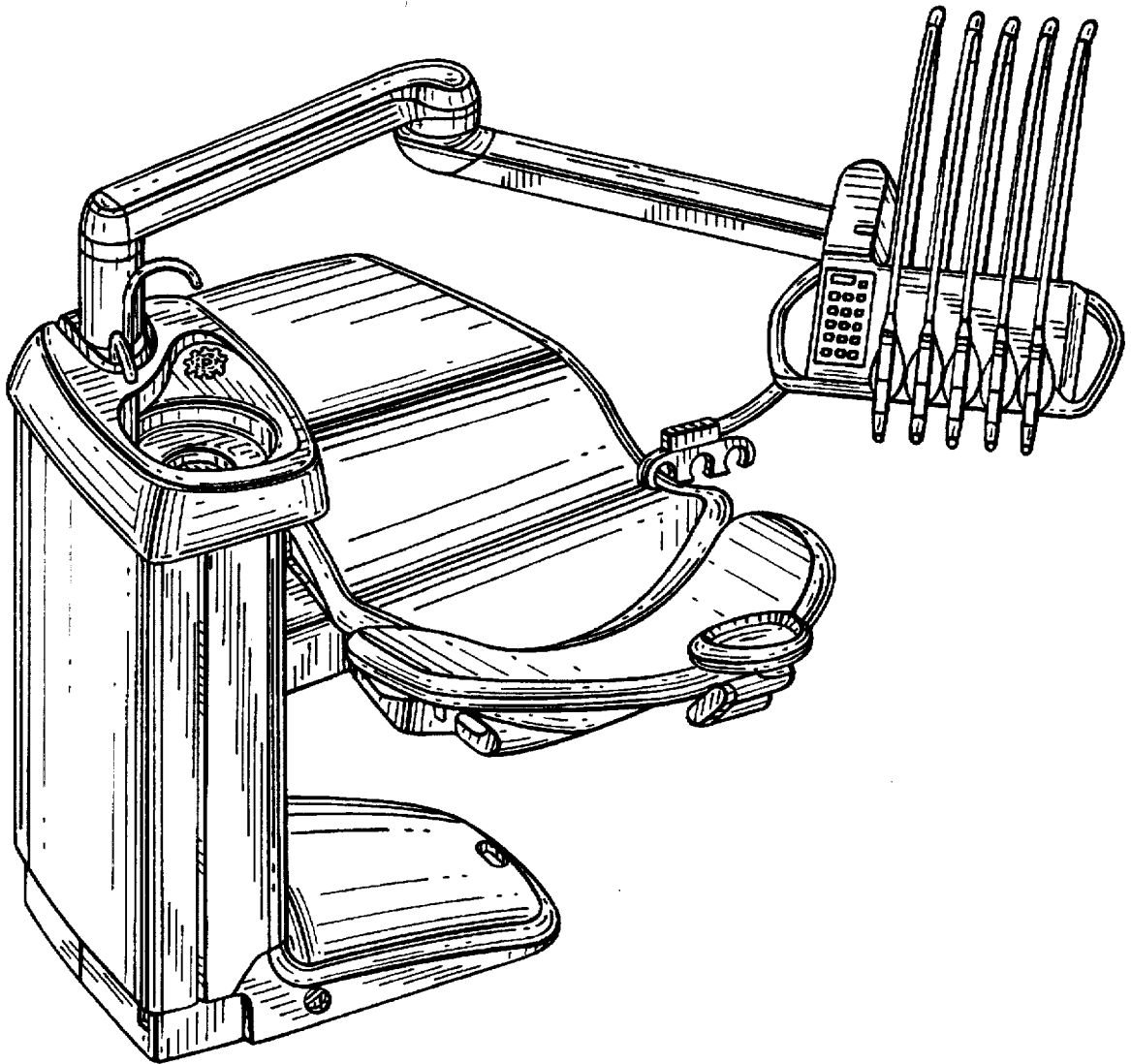


FIG. 4



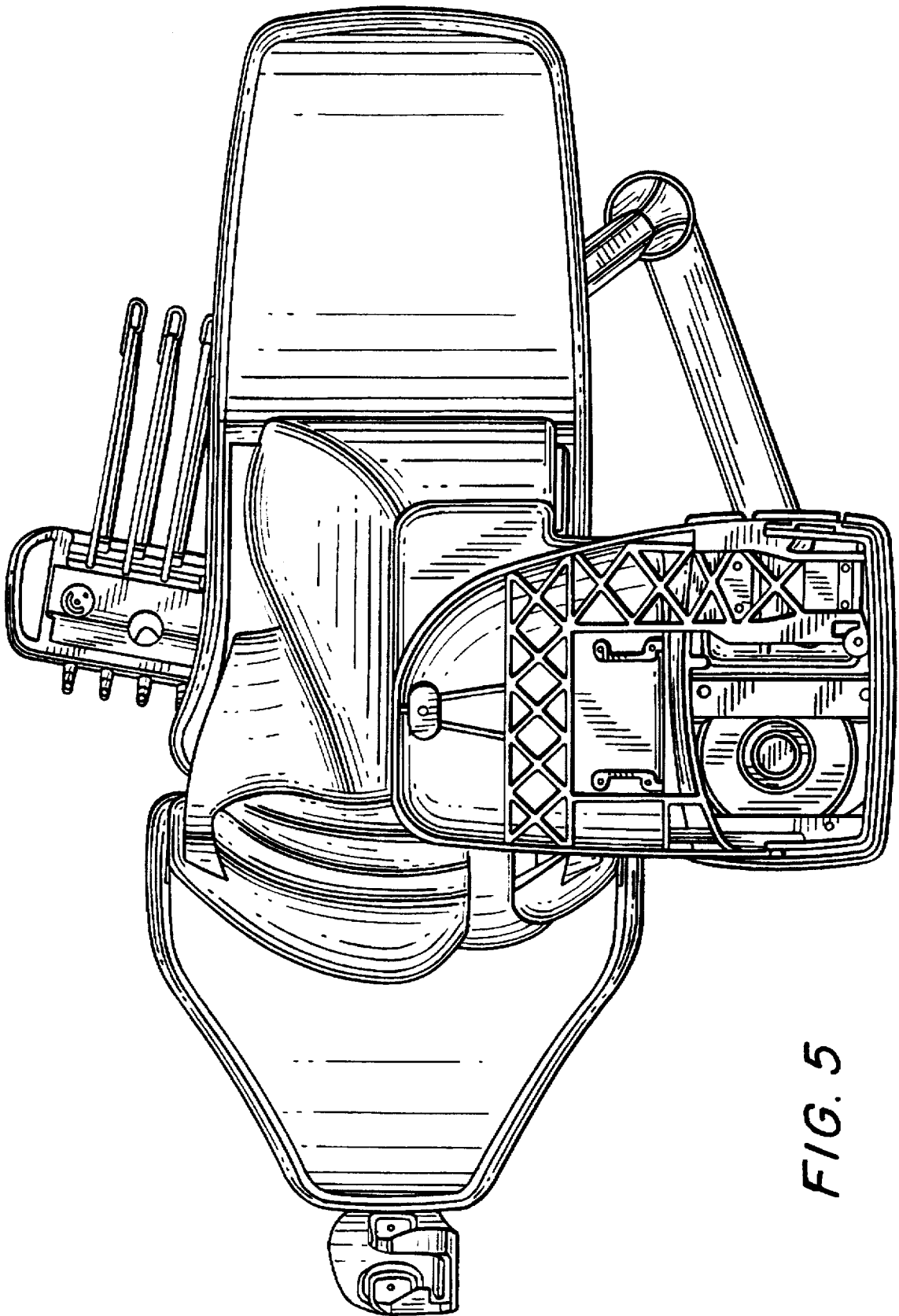


FIG. 5

FIG. 6

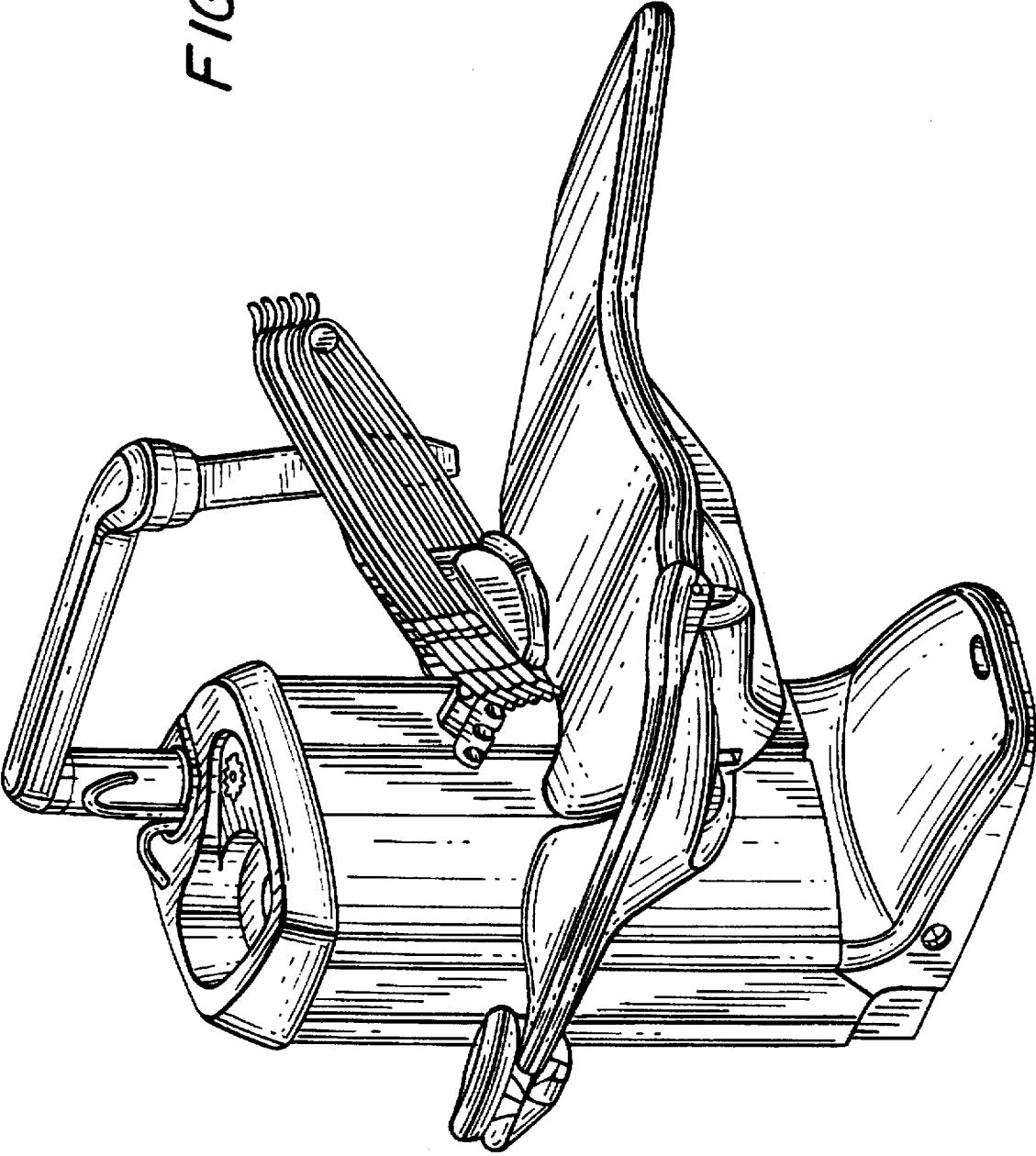


FIG. 7

