



US00D785953S

(12) **United States Design Patent**
St. Laurent

(10) **Patent No.:** **US D785,953 S**

(45) **Date of Patent:** **** May 9, 2017**

(54) **SPORTS THEMED PICTURE FRAME**
(71) Applicant: **Game Frames LLC**, Walled Lake, MI (US)

D317,530 S * 6/1991 Masterson D11/133
D324,554 S 3/1992 McKinney
D325,306 S 4/1992 Barfield
D332,881 S 2/1993 Blackburn et al.

(Continued)

(72) Inventor: **Randy St. Laurent**, Walled Lake, MI (US)

OTHER PUBLICATIONS

(73) Assignee: **GAME FRAMES LLC**, Walled Lake, MI (US)

Randall St. Laurent, "Football Picture Frame", U.S. Appl. No. 29/552,577, filed Jan. 22, 2016.

(**) Term: **15 Years**

Primary Examiner — Deanna L Pratt

(21) Appl. No.: **29/555,227**

(74) *Attorney, Agent, or Firm* — Carlson, Gaskey & Olds P.C.

(22) Filed: **Feb. 19, 2016**

(57) **CLAIM**

(51) **LOC (10) Cl.** **06-07**

We claim the ornamental design of a sports themed picture frame, as shown and described.

(52) **U.S. Cl.**

DESCRIPTION

USPC **D6/303**

(58) **Field of Classification Search**

USPC D6/300-314
CPC A47G 1/06; A47G 1/605; A47G 1/0616;
A47G 1/0633; A47G 2001/0666; A47G
2001/0688; A47G 2001/0694; A47G 1/12;
A47G 1/14

See application file for complete search history.

FIG. 1 is a front-perspective view of a sports themed picture frame, in particular a basketball themed picture frame, where the sports themed picture frame includes a support for a picture, and a display base. In FIG. 1, there is no picture in the frame.

(56) **References Cited**

U.S. PATENT DOCUMENTS

1,857,423	A	5/1932	Milton	
2,535,225	A	12/1950	Oczkowski	
2,541,600	A	2/1951	Nelson	
D212,372	S	10/1968	Trimble et al.	
D216,988	S	3/1970	Je Rue et al.	
3,561,762	A	2/1971	Russell	
3,703,291	A	11/1972	Lutz	
D233,500	S	11/1974	Phillirs	
D237,933	S *	12/1975	Farley	D6/303
4,210,328	A	7/1980	Inglaf et al.	
D259,610	S *	6/1981	Martin	D6/303
D259,611	S *	6/1981	Martin	D6/303
D275,967	S	10/1984	Morano	

FIG. 2 is a rear-perspective view of the sports themed picture frame of FIG. 1.

FIG. 3 is a top view of the sports themed picture frame of FIG. 1.

FIG. 4 is a right side view of the sports themed picture frame of FIG. 1.

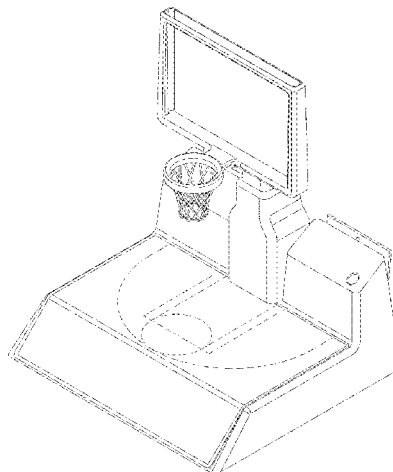
FIG. 5 is a left side view of the sports themed picture frame of FIG. 1.

FIG. 6 is a front view of the sports themed picture frame of FIG. 1, showing an example picture provided in the frame; and,

FIG. 7 is a rear view of the sports themed picture frame of FIG. 1.

The broken lines shown in the drawings illustrate portions of the sports themed picture frame that form no part of the claimed design.

1 Claim, 2 Drawing Sheets



(56)

References Cited

U.S. PATENT DOCUMENTS

D341,730 S	11/1993	Sampson et al.	
5,280,904 A	1/1994	Rodriguez	
D347,033 S	5/1994	Moretz	
D351,067 S	10/1994	Masterson	
5,453,915 A *	9/1995	Bradley, III	A45D 42/16 248/474
D367,080 S	2/1996	Anderson	
D388,963 S *	1/1998	Williams	D6/303
D390,292 S	2/1998	Hoag	
D410,699 S	6/1999	Herlitz	
D410,713 S	6/1999	Sherwood	
D416,137 S	11/1999	Messersmith	
D433,471 S	11/2000	Hsu et al.	
D440,407 S *	4/2001	Farley	D10/6
D440,613 S	4/2001	Davis	
6,212,811 B1 *	4/2001	Jones	A47G 1/14 40/781
D497,485 S *	10/2004	Resultan	D6/300
D529,968 S	10/2006	Frankel	
D531,685 S	11/2006	Frankel	
7,201,676 B2	4/2007	Rumfola, III	
D546,617 S	7/2007	Griffard	
D579,690 S *	11/2008	O'Con	D14/451
D582,174 S *	12/2008	O'Con	D14/451
D583,807 S	12/2008	O'Con	
D618,731 S	6/2010	Fedorski	
D638,063 S	5/2011	O'Con	
D654,115 S	2/2012	O'Con	
8,220,189 B2	7/2012	Makhija et al.	
D692,961 S	11/2013	Moiseyev	
D721,235 S *	1/2015	Goodwin	D6/303
D725,392 S *	3/2015	Goodwin	D6/303
D730,064 S *	5/2015	St. Laurent	D6/303
D736,523 S *	8/2015	St. Laurent	D6/300
2002/0166275 A1	11/2002	Broadwell	
2002/0174582 A1	11/2002	Garfinkle et al.	
2005/0090336 A1	4/2005	Nye et al.	
2008/0178506 A1	7/2008	Garfinkle	
2009/0174145 A1	7/2009	Staver et al.	
2011/0266744 A1	11/2011	Martinez et al.	
2012/0202623 A1	8/2012	Bowden	

* cited by examiner

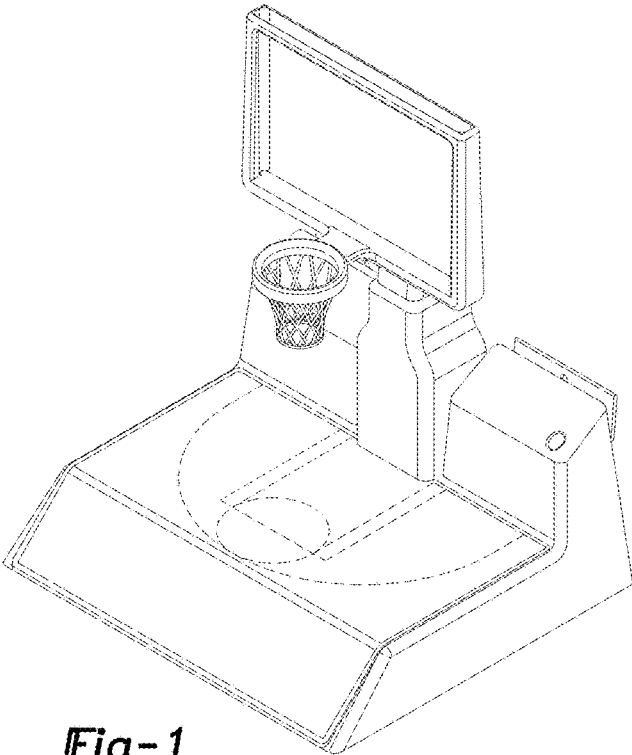


Fig-1

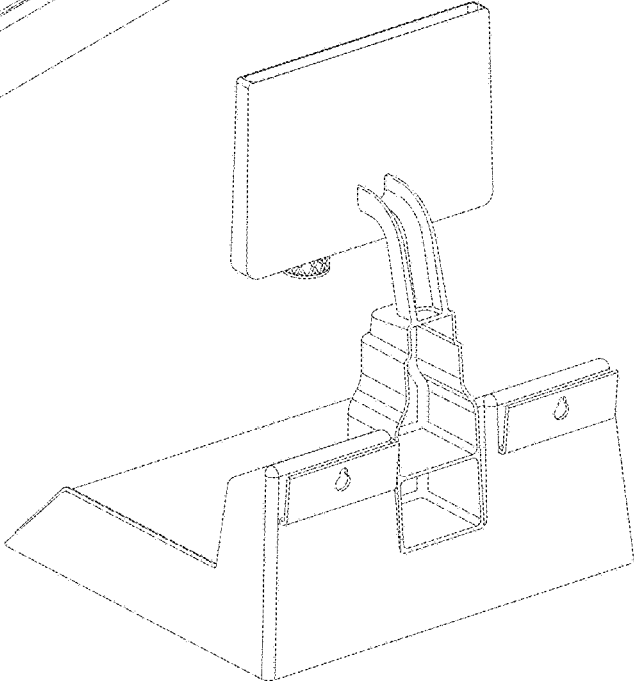


Fig-2

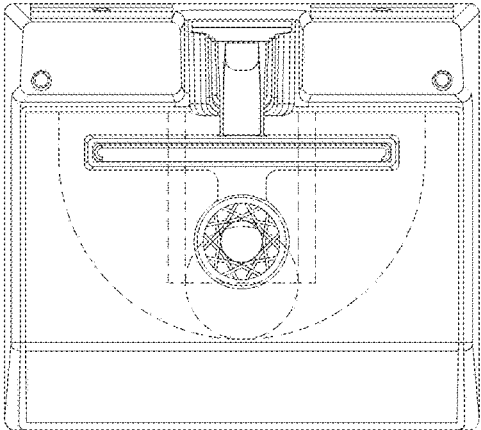


Fig-3

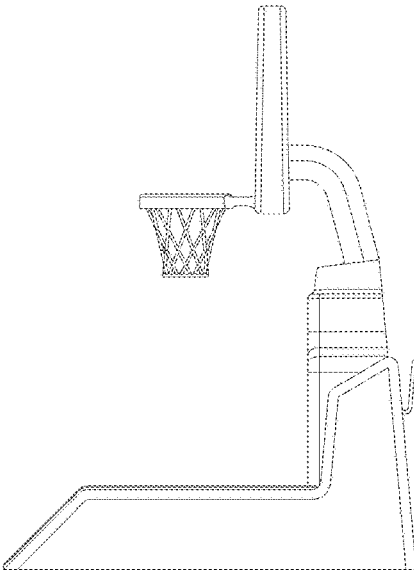


Fig-4

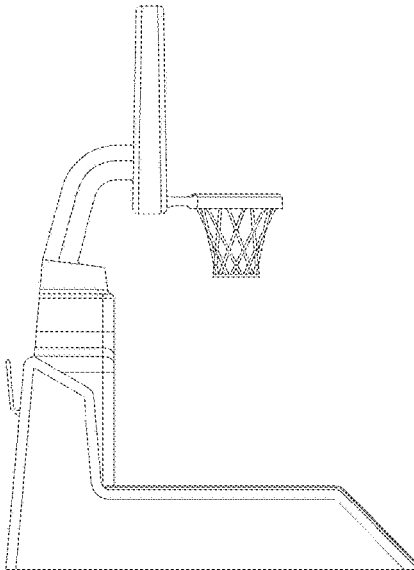


Fig-5

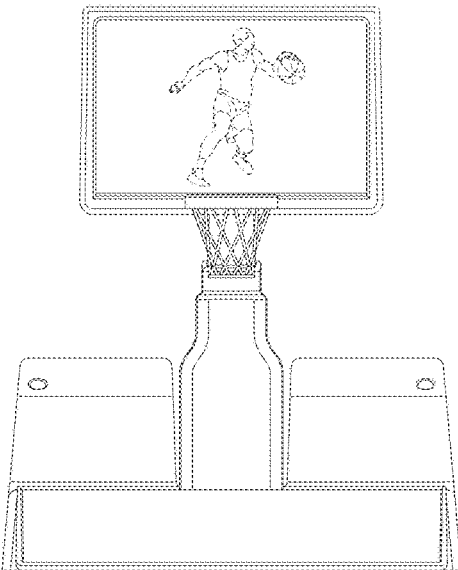


Fig-6

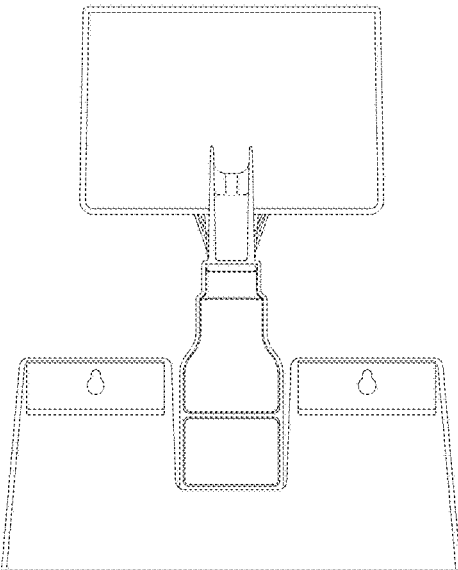


Fig-7