



US00D763551S

(12) **United States Design Patent**  
**Drone**

(10) **Patent No.:** **US D763,551 S**

(45) **Date of Patent:** **\*\* Aug. 16, 2016**

- (54) **STADIUM BLANKET**
- (71) Applicant: **Debra Drone**, Arvada, CO (US)
- (72) Inventor: **Debra Drone**, Arvada, CO (US)
- (\*\*) Term: **15 Years**
- (21) Appl. No.: **29/529,261**
- (22) Filed: **Jun. 4, 2015**
- (51) **LOC (10) Cl.** ..... **02-02**
- (52) **U.S. Cl.**  
USPC ..... **D2/823**
- (58) **Field of Classification Search**  
USPC ..... D2/823, 824-826, 831, 828, 840-850;  
D6/595-603  
CPC ..... A41D 7/008; A41D 3/08; A41D 23/00;  
A41B 13/06; A47G 9/062  
See application file for complete search history.

D575,568 S *	8/2008	Chen	.....	D6/611
8,161,572 B1 *	4/2012	Rorke	.....	A41D 13/04
				2/50
8,984,666 B1 *	3/2015	LoBue	.....	A41D 27/205
				2/50
2008/0052827 A1 *	3/2008	DeIntinis	.....	A45F 3/02
				5/417
2009/0190859 A1 *	7/2009	Simhony	.....	A45C 1/06
				383/4
2012/0005801 A1 *	1/2012	Parr	.....	A41D 3/08
				2/84
2015/0059091 A1 *	3/2015	Jung	.....	A47G 9/062
				5/417
2016/0029773 A1 *	2/2016	Galik	.....	A41D 13/04
				2/50

\* cited by examiner

*Primary Examiner* — Susan Bennett Hattan  
*Assistant Examiner* — Jennifer Wright

(57) **CLAIM**  
The ornamental design for a stadium blanket, as shown and described.

(56) **References Cited**

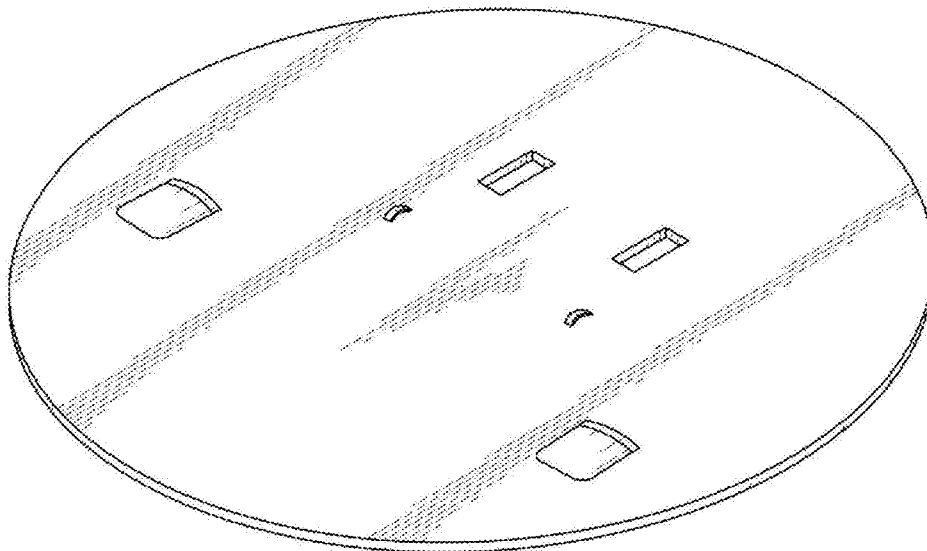
**U.S. PATENT DOCUMENTS**

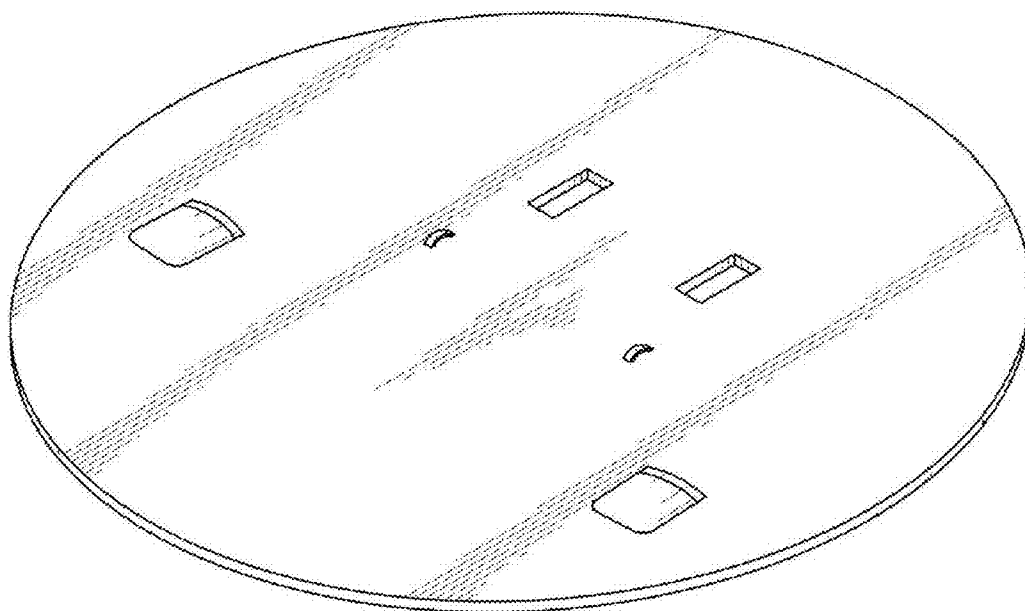
2,808,591 A *	10/1957	Grant	.....	A41D 3/08
				2/88
5,059,463 A *	10/1991	Peters	.....	A47G 9/06
				135/116
5,693,398 A *	12/1997	Granger	.....	A45C 3/10
				383/4
6,073,283 A *	6/2000	Zheng	.....	A47G 9/062
				5/417
D447,661 S *	9/2001	Le Gette	.....	D6/596
6,571,410 B2 *	6/2003	Zheng	.....	A47G 9/062
				5/417
7,082,883 B1 *	8/2006	Arias	.....	A47C 7/66
				108/90
7,096,526 B1 *	8/2006	Ogan	.....	A47G 9/062
				5/417
D547,102 S *	7/2007	Overstreet	.....	D6/608

**DESCRIPTION**

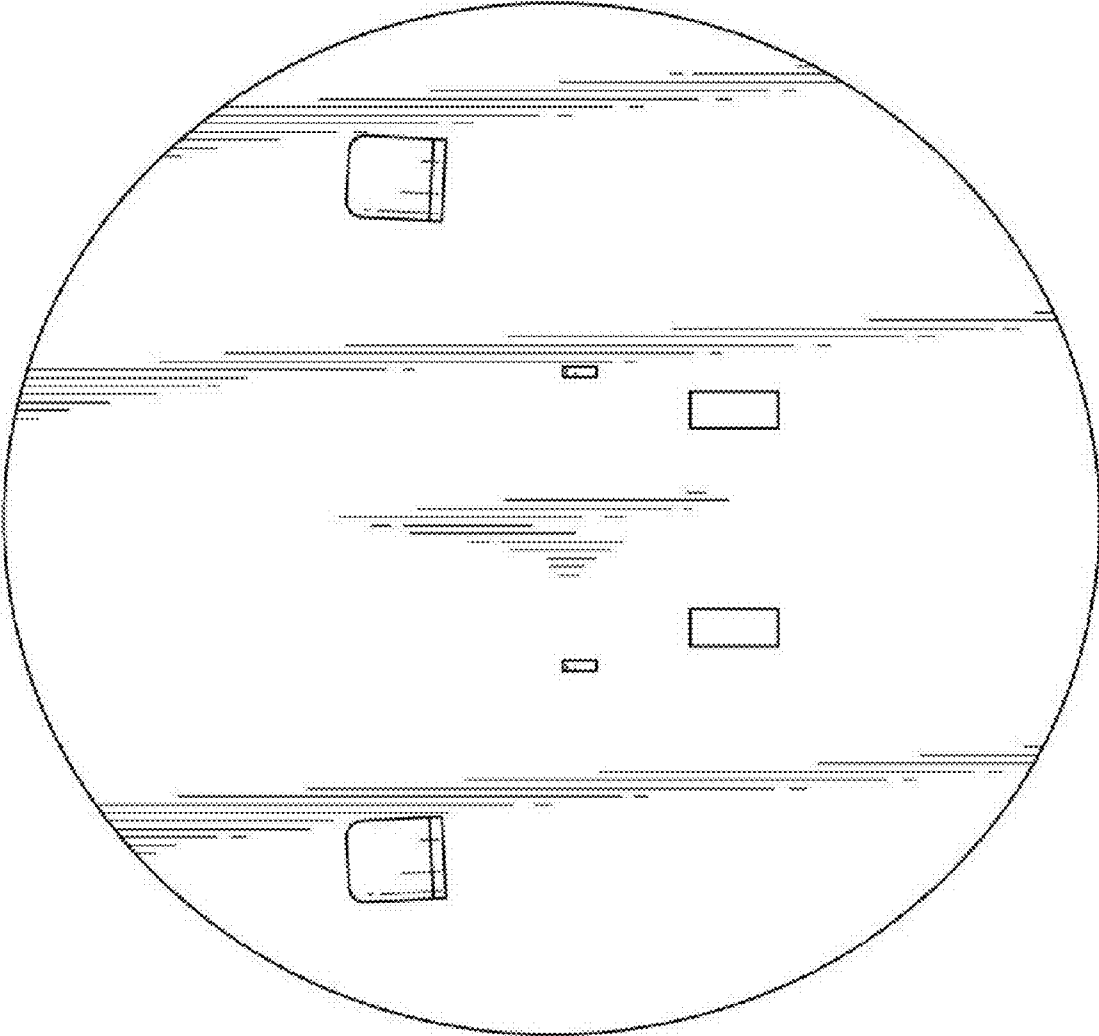
FIG. 1 is a top front perspective view of a stadium blanket showing my new design;  
FIG. 2 is a top plan view thereof;  
FIG. 3 is a bottom plan view thereof;  
FIG. 4 is a bottom side elevation view thereof;  
FIG. 5 is a left side elevation view thereof; and,  
FIG. 6 is a perspective view of a stadium blanket being worn by a person.  
The broken lines showing a human figure in FIG. 6 illustrate environmental subject matter meant to assist in showing how the claimed design appears when being worn and form no part of the claimed design.

**1 Claim, 6 Drawing Sheets**

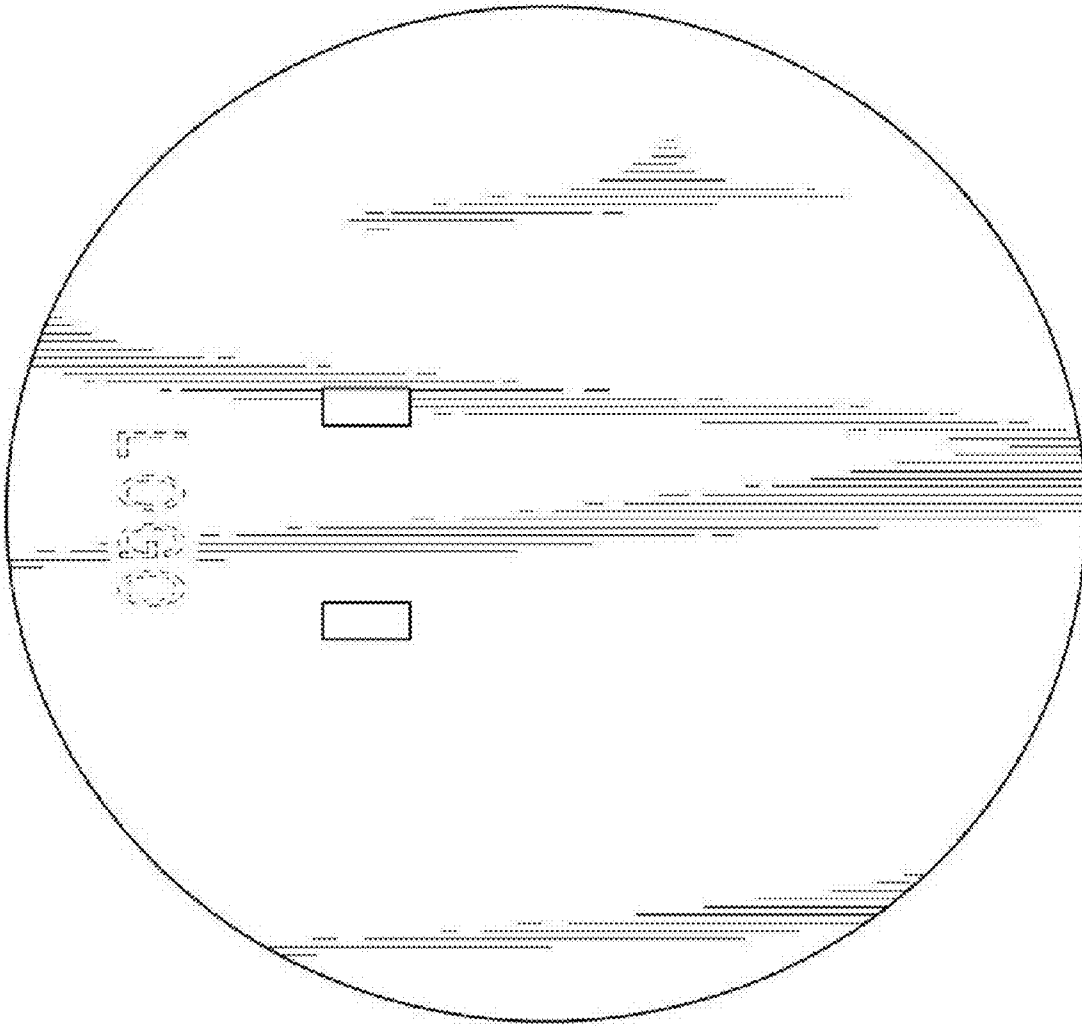




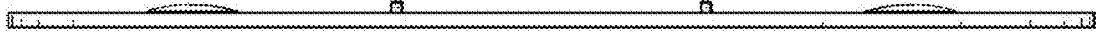
**FIG. 1**



**FIG. 2**



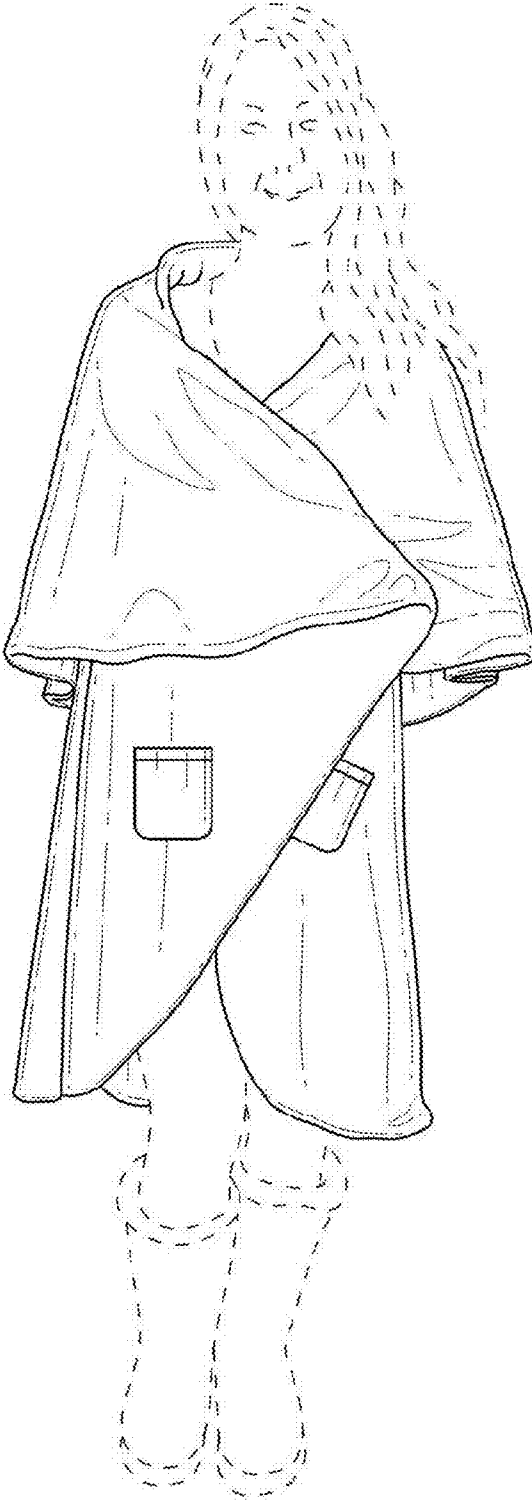
**FIG. 3**



**FIG. 4**



**FIG. 5**



**FIG. 6**