

(19) World Intellectual Property Organization
International Bureau



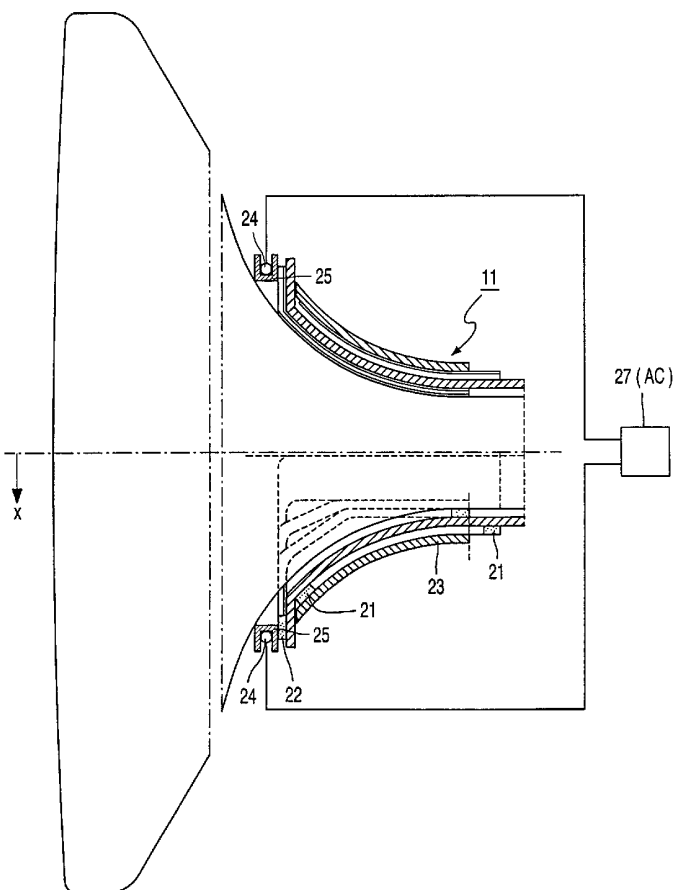
(43) International Publication Date
24 January 2002 (24.01.2002)

PCT

(10) International Publication Number
WO 02/07182 A1

- (51) International Patent Classification⁷: **H01J 29/70**, 29/76
- (72) Inventor: **WASSINK, Michiel, H.**; Prof. Holstlaan 6, NL-5656 AA Eindhoven (NL).
- (21) International Application Number: PCT/EP01/07405
- (74) Agent: **BAELE, Ingrid, A., F., M.**; Internationaal Octrooibureau B.V., Prof Holstlaan 6, NL-5656 AA Eindhoven (NL).
- (22) International Filing Date: 28 June 2001 (28.06.2001)
- (81) Designated States (*national*): CN, JP, KR.
- (25) Filing Language: English
- (84) Designated States (*regional*): European patent (AT, BE, CH, CY, DE, DK, ES, FI, FR, GB, GR, IE, IT, LU, MC, NL, PT, SE, TR).
- (26) Publication Language: English
- (30) Priority Data: 00202497.4 13 July 2000 (13.07.2000) EP
- Published: — with international search report
- (71) Applicant: **KONINKLIJKE PHILIPS ELECTRONICS N.V.** [NL/NL]; Groenewoudseweg 1, NL-5621 BA Eindhoven (NL).
- For two-letter codes and other abbreviations, refer to the "Guidance Notes on Codes and Abbreviations" appearing at the beginning of each regular issue of the PCT Gazette.

(54) Title: DISPLAY DEVICE COMPRISING A DEFLECTION UNIT



(57) Abstract: A color display device comprising a cathode ray tube (1) and a deflection unit (4) is described. The display device includes compensation coils (24) for correcting a raster distortion in the raster displayed on the screen and means for providing correction currents through the correction coils. The ratio between the correction current I_{24} and the vertical deflection current I_{21} is higher at half vertical deflection than at full vertical deflection.



WO 02/07182 A1

Display device comprising a deflection unit

BACKGROUND OF THE INVENTION

The invention relates to a color display device comprising a cathode ray tube, means for generating at least one electron beam, a display screen, and a deflection unit for generating deflection fields for deflecting electron beam(s) across the display screen, and
5 magnetic field-generating means at or near a display screen-facing end of the deflection unit to reduce raster distortions.

US-A-4,746,837 discloses a color display device having a deflection unit, in
10 which a number of pole shoes are arranged around the deflection unit and at the side of the deflection unit facing the display screen. A pincushion-shaped distortion of the deflection field is formed between the pole shoes. Said pincushion distortion provides for a raster correction.

Although the known devices and similar devices in which magnetic correction
15 fields are provided substantially reduce raster errors especially in the corners of the display screen, remaining raster errors are still noticeable, especially at 0.5 N and 0.5 S of the display screen.

20 SUMMARY OF THE INVENTION

It is an object of the invention to provide a display device having a deflection unit in which improved raster corrections are obtainable.

To this end, in accordance with an aspect of the invention, the display device according to the invention is characterized in that the magnetic field-generating means
25 comprise correction coils and means for supplying said correction coils, in operation, with a correction current, the ratio between the correction current and the vertical deflection current being a function of the vertical deflection and being less for full vertical deflection than for half vertical deflection.

The invention is based on the recognition that, when a correction field, for which the strength is proportional to the strength of the vertical deflection field, is generated independently of the vertical direction (as is the case in the prior art because the poles divert the flux of the vertical deflection coils and thus the strength of the correction field is directly proportional to the vertical deflection field), it is possible to correct for raster distortions at the top and bottom (North and South) of the display screen, but raster corrections at positions between the bottom and top of the display screen and the East-West axis of the display screen are less than optimally performed. In the display device and deflection unit in accordance with the invention, the ratio of the current through the correction coils and the current through the vertical deflection coils is less for full vertical deflection than for half vertical deflection.

This enables the correction coils to better influence the inner pincushion errors (i.e. around 0.5 North and South vertical deflection) as well as the geometry along the edges. An improved raster correction is thereby obtainable.

Preferably, said ratio of the currents at half the vertical deflection is between 1.5 and 2.5 times larger than that at full vertical deflection.

Preferably, the delay time between the current through the correction coils and the current through the vertical deflection coils after fly-back is less than 400 μ sec, preferably less than 300 μ sec. A larger delay time introduces raster distortions in North or South.

BRIEF DESCRIPTION OF THE DRAWINGS

These and further aspects of the invention will be explained in greater detail by way of example and with reference to the accompanying drawings, in which

Fig. 1 is a display device

Fig. 2 is a sectional view of a deflection unit comprising compensation coils.

Fig. 3 shows schematically a circuit for a display device in accordance with the invention

Fig. 4 illustrates the current through the compensation coils in relation to the current through the vertical deflection coils.

Figs. 5A and 5B illustrate the raster correction with and without use of raster correction coils.

The Figures are not drawn to scale. In general, like reference numerals refer to like parts.

DETAILED DESCRIPTION OF PREFERRED EMBODIMENTS

A color display device 1 (Fig. 1) includes an evacuated envelope 2 comprising a display window 3, a cone portion 4 and a neck 5. Said neck 5 accomodates an electron gun 6 for generating three electron beams 7, 8 and 9. A display screen 10 is present on the innerside of the display window. Said display screen 10 comprises a phosphor pattern of phosphor elements luminescing in red, green and blue. On their way to the display screen, the electron beams 7, 8 and 9 are deflected across the display screen 10 by means of a deflection unit 11 and pass through a shadow mask 12 which is arranged in front of the display window 3 and comprises a thin plate having apertures 13. The shadow mask is suspended in the display window by means of suspension means 14. The three electron beams converge and pass through the apertures of the shadow mask at a small angle with respect to each other and, consequently, each electron beam impinges on phosphor elements of only one color. In Fig. 1 the axis (z-axis) of the envelope is also indicated.

Fig. 2 is a sectional view of a deflection unit in accordance with the invention. Said deflection unit comprises two deflection coil systems 21 and 22 for deflecting the electron beams in two mutually perpendicular directions. Coil system 21 comprises coils for the vertical deflection (deflection with relatively low frequency) of the electron beams. In this example, the deflection unit further comprises a yoke 23. Said yoke is made of a soft-magnetic material. Compensation coils 24 are arranged around the display device, in this example on the deflection unit 11. In this example, compensation coils 24 are fitted into a holder 25. Means 27 are provided to supply coils 24, in operation, with a current of the same frequency as the vertical deflection current though coils 21.

Fig. 3 illustrates schematically a circuit for a display device in accordance with the invention. The frame current generator 31 supplies a current I_{21} through the vertical deflection coils 21 which, in this example, are placed in parallel with a resistor 26. The correction coils 24 are coupled to the deflection coils, but two Zener diodes Z_1 and Z_2 and, in this example, a resistor 27 are placed parallel across the correction coils. These Zener diodes are chosen to be such that the current I_{24} through the correction coils 24 is topped at a maximum current value.

Fig. 4 shows schematically the currents I_{21} and I_{24} as a function of time. Initially, I_{21} and I_{24} are equal. Above a certain threshold value I_{\max} for I_{21} , the current I_{24} is held at a fixed value I_{\max} . The ratio between the two currents thus starts at 1 up to a certain deflection, whereafter it is reduced.

Figs. 5A and 5B show schematically raster errors without application of raster correction coils 24 (Fig. 5A) and with correction of error coils (Fig. 5B), but with a constant ratio between the vertical deflection current and the current through the correction coils (i.e. I_{21}/I_{24} is a constant value). Fig. 5A shows considerable raster errors. Raster errors up to 3 mm at full deflection may occur, which are clearly visible. As can be seen in Fig. 5B, the raster errors can be reduced to negligible values at full deflection (North and South) but some raster errors are left at 0.5 N and 0.5 S (typically of the order of 0.5 to 1 mm which is still visible). By sending more current through the correction coils 24 (or by using more turns), the raster errors at 0.5 N and 0.5 S can be reduced, however, at the expense of introducing raster errors at full deflection, because over-correction would occur.

The inventors have realized that the raster errors can be better corrected by reducing the ratio between the currents I_{24} and I_{21} , i.e. such that, relative to the deflection current, the current through the correction coils 24 at full vertical deflection is less than that at half vertical deflection. Making use of the invention, with a ratio at full deflection which is less than a ratio at half deflection in this example, the raster errors can be reduced to such an extent that they are no longer visible on this scale.

The vertical deflection current exhibits a sudden change from full deflection in one direction to full deflection in the opposite direction. This change is called the 'fly-back'. In Fig. 4, the fly-back is shown by the steep step 42. There will be a time delay depending on the circuit used and indicated in Fig. 4 by Δt between the currents I_{21} and I_{24} directly following fly-back. Current I_{21} shows a value directly before fly-back and reaches a maximum value after fly-back. The difference between them is ΔI as indicated in Fig. 4. The delay time Δt is calculated as the time between the start of the fly-back and the point at which roughly 90% of this difference is reached. This delay time is preferably less than 400 microseconds, preferably even less than 300 microseconds. Larger values for the time delay result in currents I_{24} directly after fly-back (i.e. at full North deflection) which are less than wanted. The time delay time depends on the RC time of the circuit chosen (inclusive of the correction coils) and can be theoretically calculated and/or experimentally determined.

It will be clear that many more variations, within the scope of the invention, are possible to those skilled in the art.

CLAIMS:

1. A color display device comprising a cathode ray tube, means for generating at least one electron beam (7,8,9), a display screen (10), and a deflection unit (11) for generating deflection fields for deflecting the at least one electron beam (7,8,9) across the display screen (10), and magnetic field-generating means (24,27) at or near a display screen-
5 facing end of the deflection unit (11) to reduce raster distortions, the magnetic field-generating means (24,27) comprising correction coils (24) and means (27) for supplying said correction coils, in operation, with a correction current (I_{24}), the ratio (I_{21}/I_{24}) between the correction current (I_{24}) and the vertical deflection current (I_{21}) being a function of the vertical deflection and being less for full vertical deflection (N or S) than for half vertical deflection
10 (0.5N or 0.5S).
2. A color display device as claimed in claim 1, wherein the ratio (I_{21}/I_{24}) at full deflection is between 0.66 and 0.4 times the ratio at half vertical deflection.
- 15 3. A color display device as claimed in claim 1, wherein a delay time (Δt) between the current through the correction coils (I_{24}) and the current through the vertical deflection coils (I_{21}) after fly-back is less than 400 μ sec, preferably less than 300 μ sec.

1/4

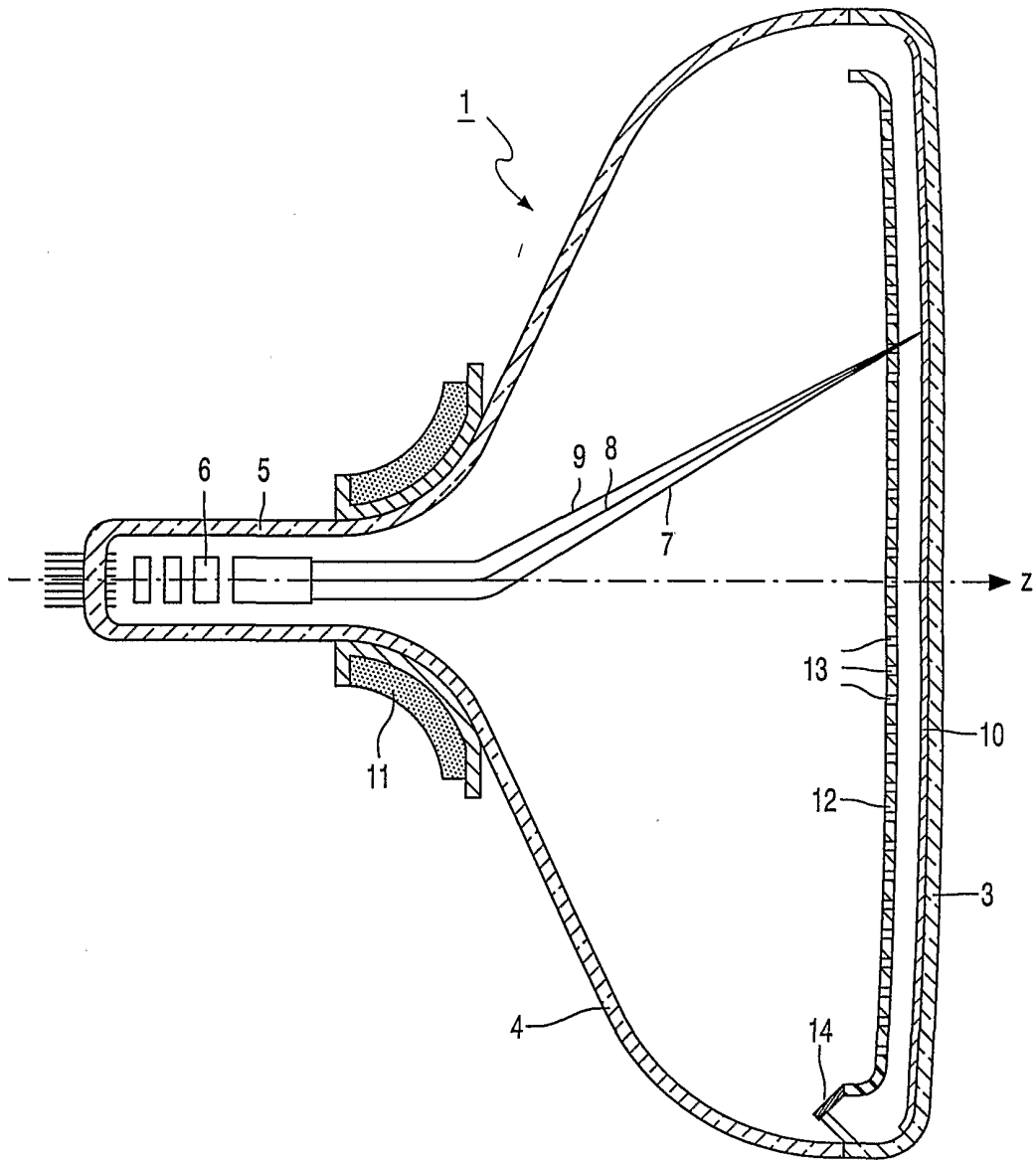


FIG. 1

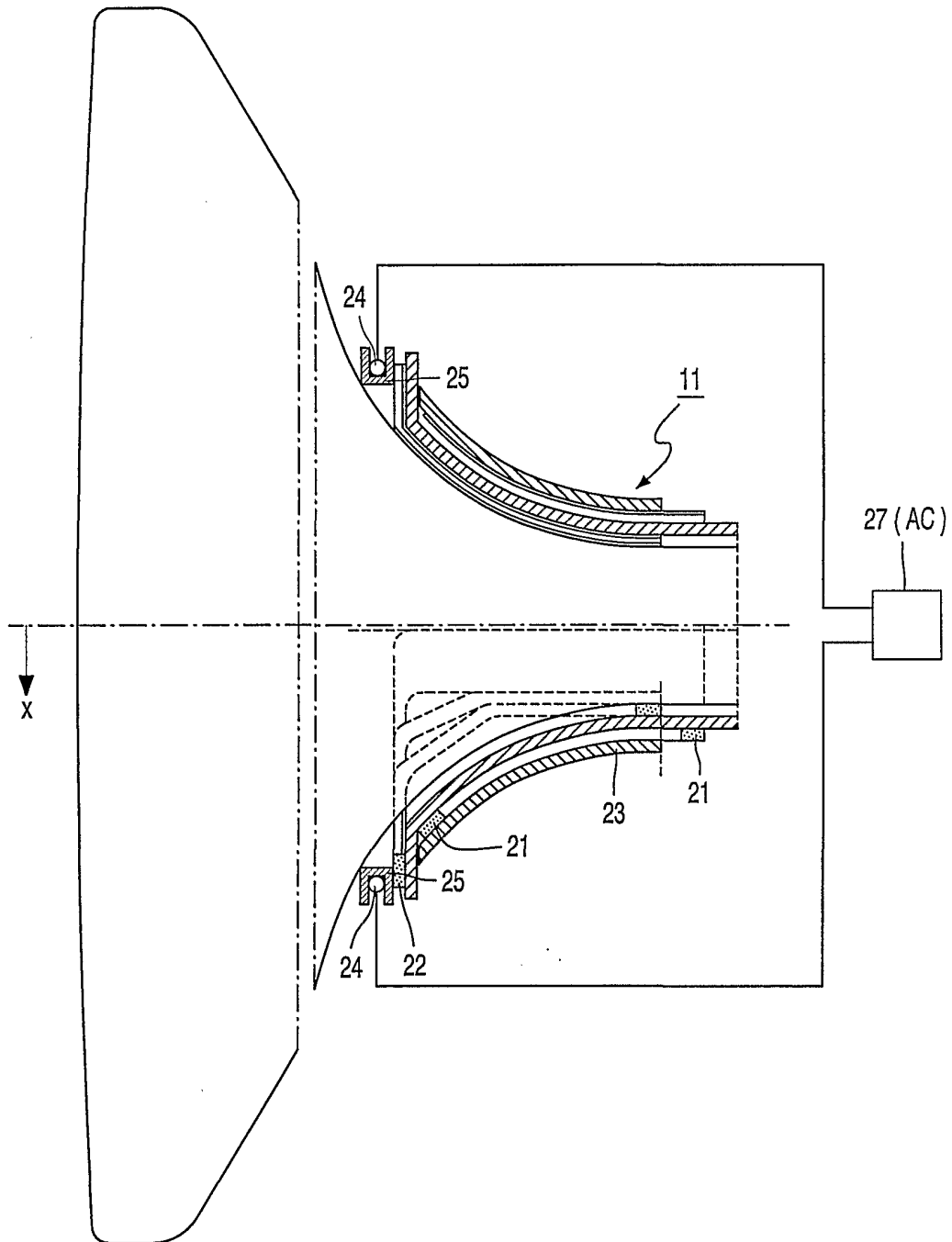


FIG. 2

3/4

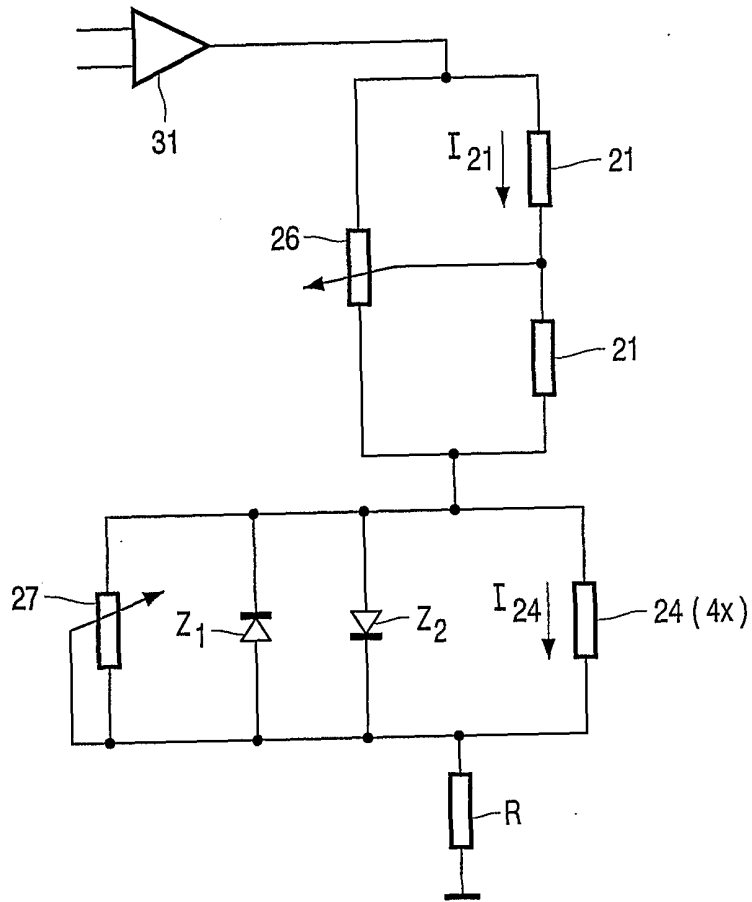


FIG. 3

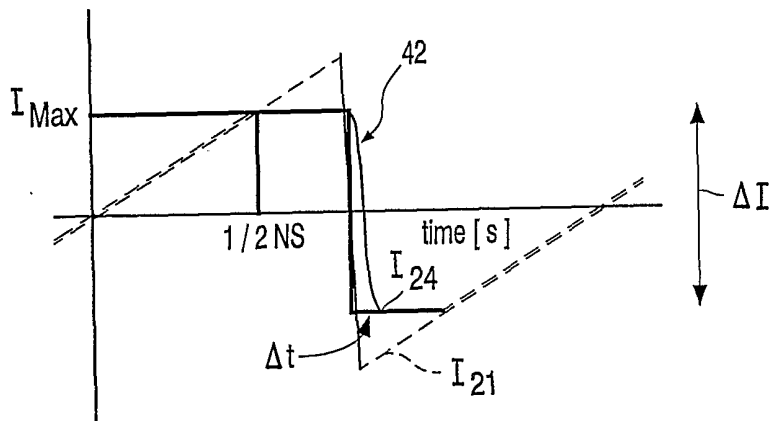


FIG. 4

4/4

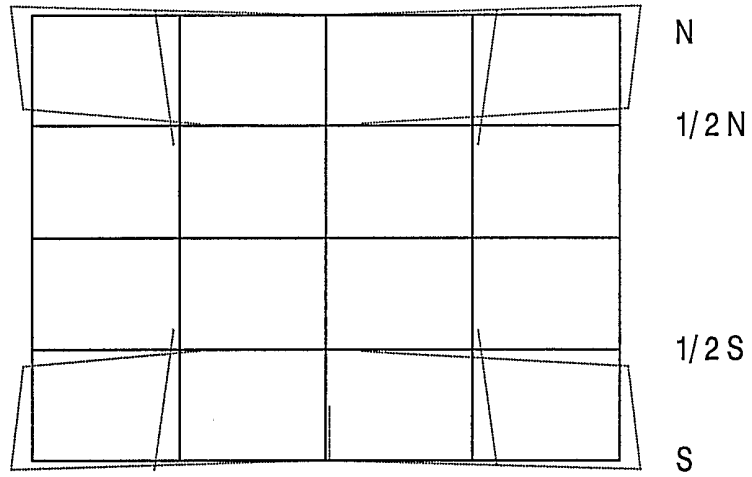


FIG. 5A

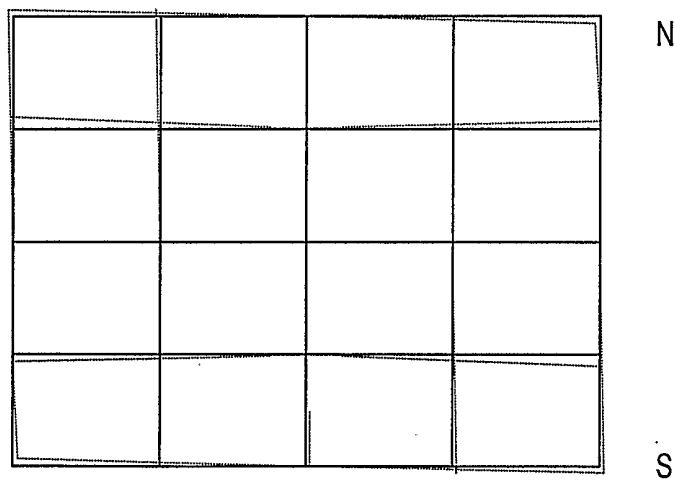


FIG. 5B

INTERNATIONAL SEARCH REPORT

International Application No

PC 1/1 01/07405

A. CLASSIFICATION OF SUBJECT MATTER
 IPC 7 H01J29/70 H01J29/76

According to International Patent Classification (IPC) or to both national classification and IPC

B. FIELDS SEARCHED

Minimum documentation searched (classification system followed by classification symbols)
 IPC 7 H01J H04N

Documentation searched other than minimum documentation to the extent that such documents are included in the fields searched

Electronic data base consulted during the international search (name of data base and, where practical, search terms used)

PAJ

C. DOCUMENTS CONSIDERED TO BE RELEVANT

Category °	Citation of document, with indication, where appropriate, of the relevant passages	Relevant to claim No.
A	PATENT ABSTRACTS OF JAPAN vol. 014, no. 520 (E-1002), 14 November 1990 (1990-11-14) & JP 02 220336 A (MATSUSHITA ELECTRON CORP), 3 September 1990 (1990-09-03) abstract	1
A	PATENT ABSTRACTS OF JAPAN vol. 1995, no. 11, 26 December 1995 (1995-12-26) & JP 07 212778 A (NEC KANSAI LTD), 11 August 1995 (1995-08-11) abstract	1



Further documents are listed in the continuation of box C.



Patent family members are listed in annex.

° Special categories of cited documents :

- *A* document defining the general state of the art which is not considered to be of particular relevance
- *E* earlier document but published on or after the international filing date
- *L* document which may throw doubts on priority claim(s) or which is cited to establish the publication date of another citation or other special reason (as specified)
- *O* document referring to an oral disclosure, use, exhibition or other means
- *P* document published prior to the international filing date but later than the priority date claimed

- *T* later document published after the international filing date or priority date and not in conflict with the application but cited to understand the principle or theory underlying the invention
- *X* document of particular relevance; the claimed invention cannot be considered novel or cannot be considered to involve an inventive step when the document is taken alone
- *Y* document of particular relevance; the claimed invention cannot be considered to involve an inventive step when the document is combined with one or more other such documents, such combination being obvious to a person skilled in the art.
- *Z* document member of the same patent family

Date of the actual completion of the international search

15 October 2001

Date of mailing of the international search report

31/10/2001

Name and mailing address of the ISA

European Patent Office, P.B. 5818 Patentlaan 2
 NL - 2280 HV Rijswijk
 Tel. (+31-70) 340-2040, Tx. 31 651 epo nl,
 Fax: (+31-70) 340-3016

Authorized officer

Centmayer, F

INTERNATIONAL SEARCH REPORT

International Application No

PCT/JP 01/07405

C.(Continuation) DOCUMENTS CONSIDERED TO BE RELEVANT		
Category °	Citation of document, with indication, where appropriate, of the relevant passages	Relevant to claim No.
A	<p>PATENT ABSTRACTS OF JAPAN vol. 1995, no. 11, 26 December 1995 (1995-12-26) & JP 07 212773 A (NEC KANSAI LTD), 11 August 1995 (1995-08-11) abstract</p> <p style="text-align: center;">-----</p>	

INTERNATIONAL SEARCH REPORT

International Application No

PCT/JP 01/07405

Patent document cited in search report		Publication date	Patent family member(s)	Publication date
JP 02220336	A	03-09-1990	JP 2815381 B2	27-10-1998
JP 07212778	A	11-08-1995	NONE	
JP 07212773	A	11-08-1995	NONE	