

[54] PORTABLE GOLF CAR

[76] Inventor: Arnold A. Pankow, 1201 Westmore, Wahpeton, N. Dak. 58075

[**] Term: 14 Years

[21] Appl. No.: 529,973

[22] Filed: Sep. 7, 1983

[52] U.S. Cl. D12/16

[58] Field of Search D12/16, 85; 180/215, 180/216; 280/DIG. 5

[56] References Cited

U.S. PATENT DOCUMENTS

D. 209,391	11/1967	Allen	D12/16
D. 226,079	1/1973	Gifford	D12/16
3,648,795	3/1972	Moulton	180/216

OTHER PUBLICATIONS

Modern Materials Handling, 3/26/62, Light Load Ve-

hicle for Off-Street Industrial Use, p. 114, bottom of page.

Primary Examiner—James M. Gandy
Attorney, Agent, or Firm—Williamson, Bains, Moore & Hansen

[57] CLAIM

The ornamental design for a portable golf car, as shown.

DESCRIPTION

FIG. 1 is a perspective view of a portable golf car showing my new design;
FIG. 2 is a left side elevational view thereof;
FIG. 3 is a top plan view thereof;
FIG. 4 is a front elevational view thereof;
FIG. 5 is a bottom plan view thereof;
FIG. 6 is a rear elevational view thereof; and
FIG. 7 is a right side elevational view thereof.

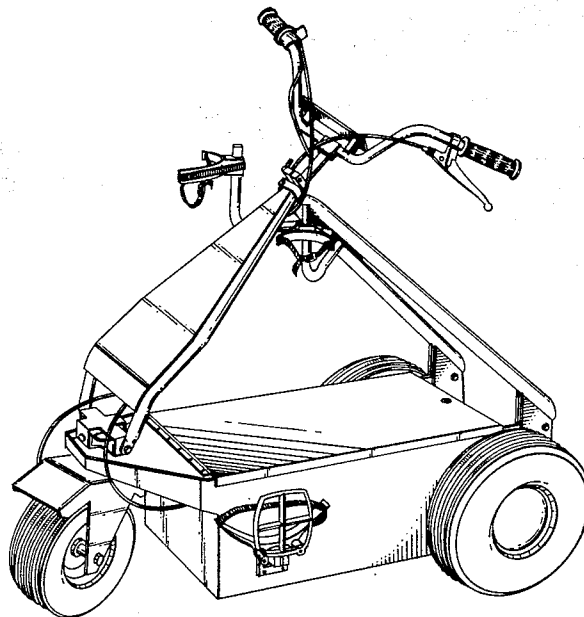


FIG. 1

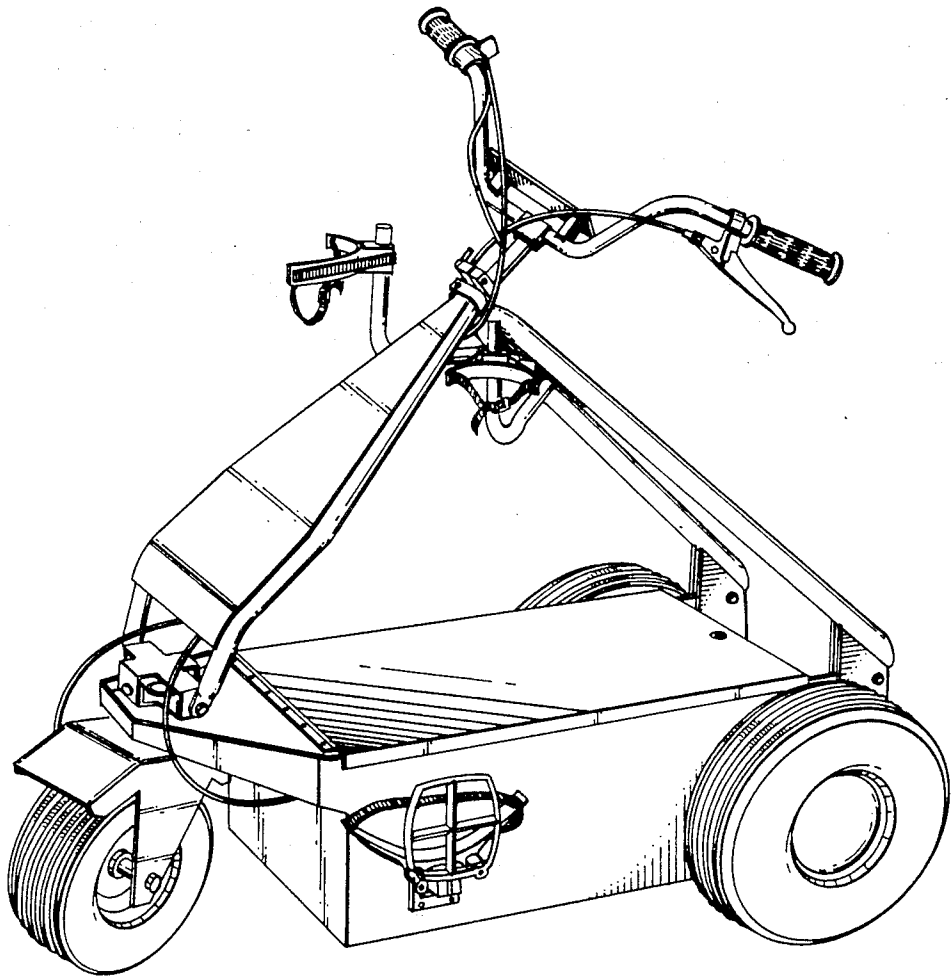


FIG. 2

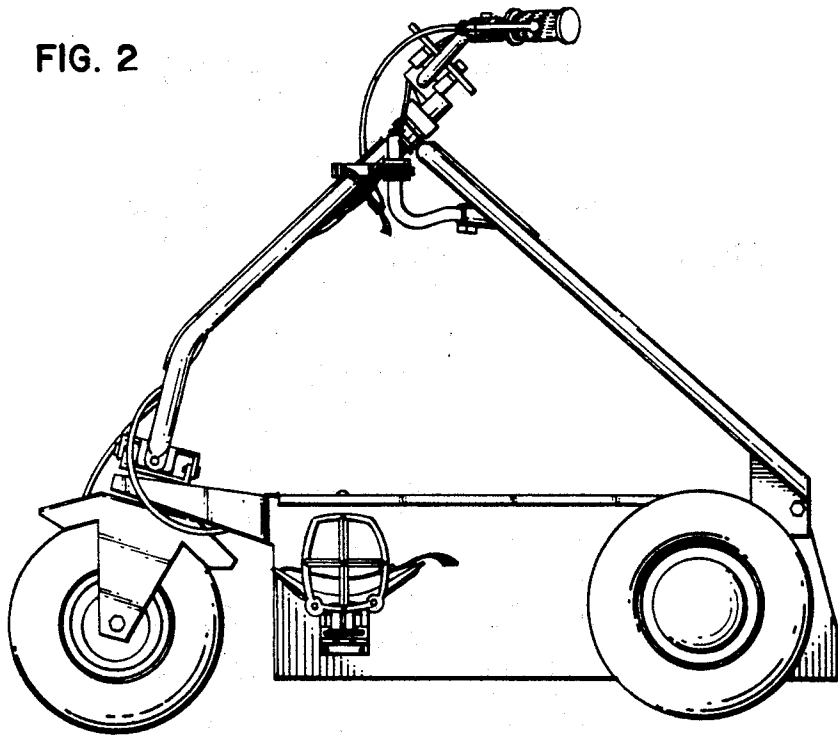


FIG. 3

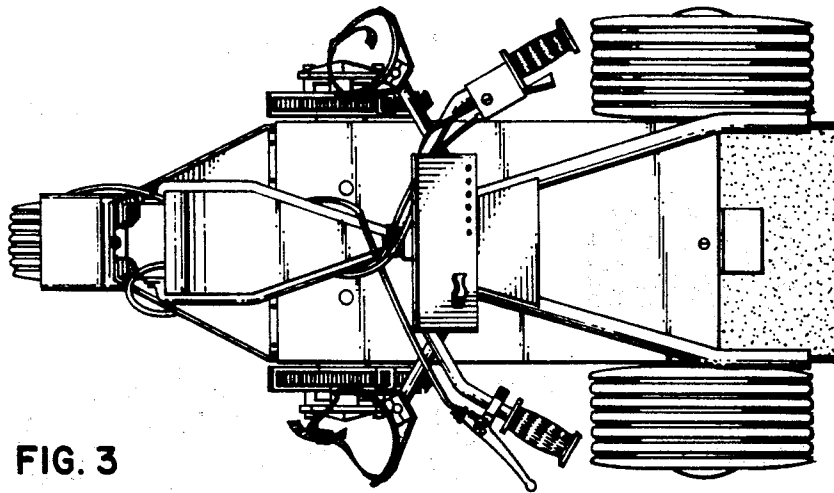


FIG. 4

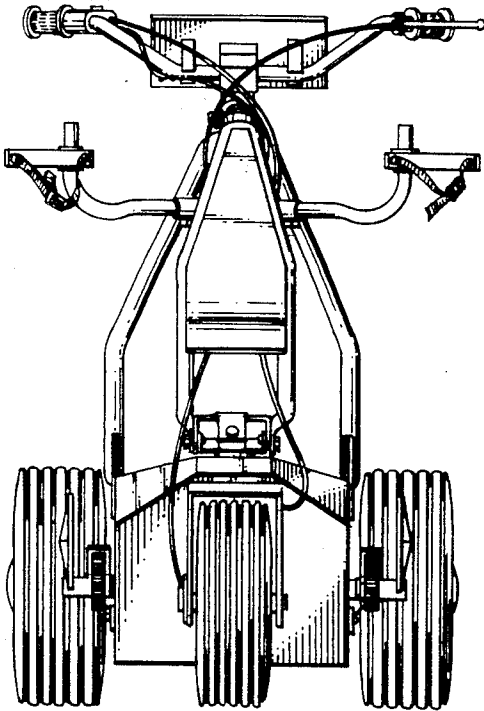
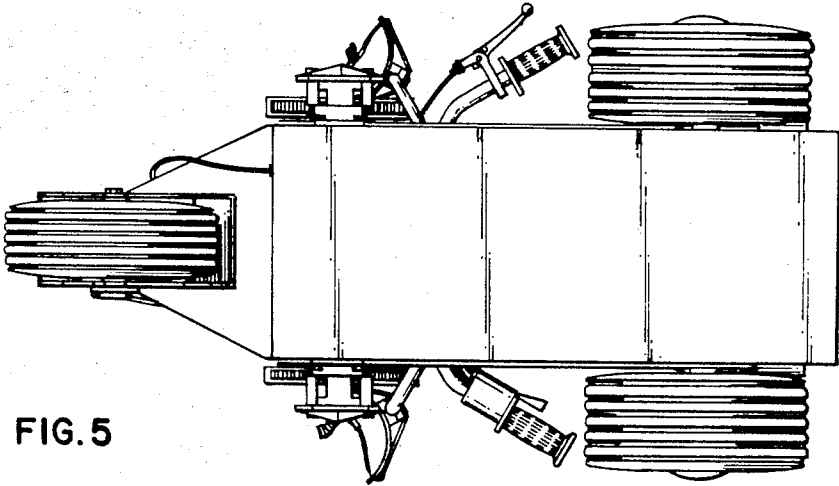


FIG. 5



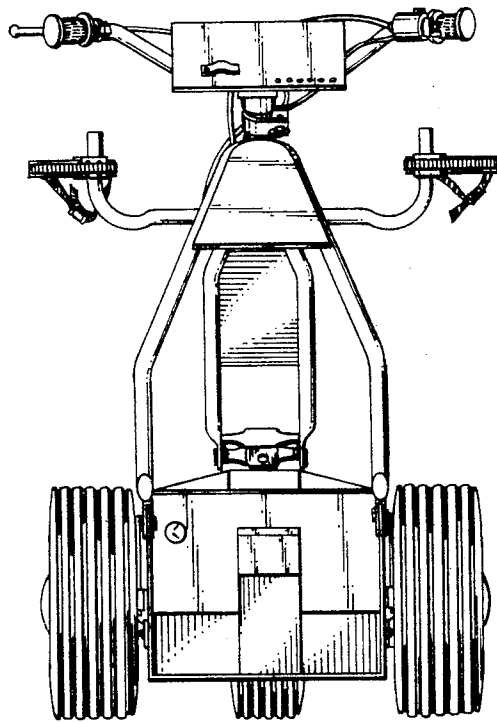


FIG. 6

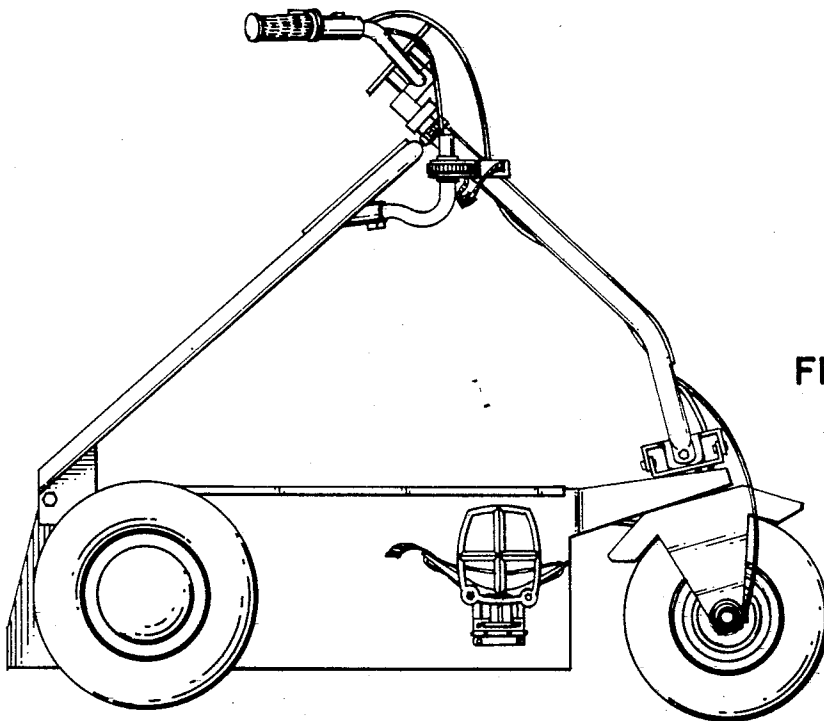


FIG. 7