



US00D735307S

(12) **United States Design Patent**
Magana

(10) **Patent No.:** **US D735,307 S**
(45) **Date of Patent:** **** Jul. 28, 2015**

(54) **MULTIPOINT MANIFOLD FOR EVAPORATOR COILS**

(71) Applicant: **PGI International, Ltd.**, Houston, TX (US)

(72) Inventor: **Marco Magana**, Houston, TX (US)

(73) Assignee: **PGI International LTD.**, Houston, TX (US)

(**) Term: **14 Years**

(21) Appl. No.: **29/440,718**

(22) Filed: **Dec. 26, 2012**

(51) **LOC (10) Cl.** **23-03**

(52) **U.S. Cl.**
USPC **D23/323**

(58) **Field of Classification Search**
USPC D23/266, 200, 259, 263, 213, 202, 207,
D23/209, 323, 322, 314, 316, 325, 233;
D15/5; 62/525; 159/16.1, 23, 26, 38,
159/44, 28.4, 28.1; 202/242, 255, 267.1,
202/268; 422/117
See application file for complete search history.

(56) **References Cited**

U.S. PATENT DOCUMENTS

D30,318	S	*	3/1899	Furlow	D23/266
4,285,205	A	*	8/1981	Martin et al.	62/113
D273,804	S	*	5/1984	Fueloep	D23/263
4,593,539	A	*	6/1986	Humpolik et al.	62/504
D360,017	S	*	7/1995	Lopez	D23/259
5,509,462	A	*	4/1996	Demko et al.	165/45
D420,420	S	*	2/2000	Heine	D23/200
6,363,965	B1	*	4/2002	Carmack et al.	137/513.3
6,626,007	B1	*	9/2003	Matsuzaki et al.	62/509
6,748,759	B2	*	6/2004	Wu	62/305
7,021,671	B2	*	4/2006	Evans	285/125.1
D536,061	S	*	1/2007	Mather et al.	D23/213
D545,406	S	*	6/2007	Surinak	D23/266
7,267,159	B2	*	9/2007	Iwasaki et al.	165/67

D606,165	S	*	12/2009	Kurisaki	D23/233
D671,618	S	*	11/2012	Shirataki et al.	D23/209
D675,299	S	*	1/2013	McKenzie	D23/266
D675,715	S	*	2/2013	McKenzie	D23/266
2009/0217690	A1	*	9/2009	Silderhuis	62/264
2013/0205727	A1	*	8/2013	Lepori et al.	55/345
2013/0299018	A1	*	11/2013	Elliott	137/561 A
2014/0000734	A1	*	1/2014	Niwa et al.	137/561 A
2014/0262730	A1	*	9/2014	Zimmer	202/185.1
2015/0047724	A1	*	2/2015	Leevy et al.	137/561 A
2015/0052931	A1	*	2/2015	Said et al.	62/320

* cited by examiner

Primary Examiner — T. Chase Nelson

Assistant Examiner — Ania Aman

(74) *Attorney, Agent, or Firm* — Renner, Otto, Boisselle & Sklar, LLP

(57) **CLAIM**

The ornamental design for a multipoint manifold for evaporator coils, as shown and described.

DESCRIPTION

FIG. 1 is a front view of a multipoint manifold for evaporator coils showing my new design;

FIG. 2 is a rear view of the multipoint manifold for evaporator coils;

FIG. 3 is a right end view of the multipoint manifold for evaporator coils;

FIG. 4 is a left end view of the multipoint manifold for evaporator coils;

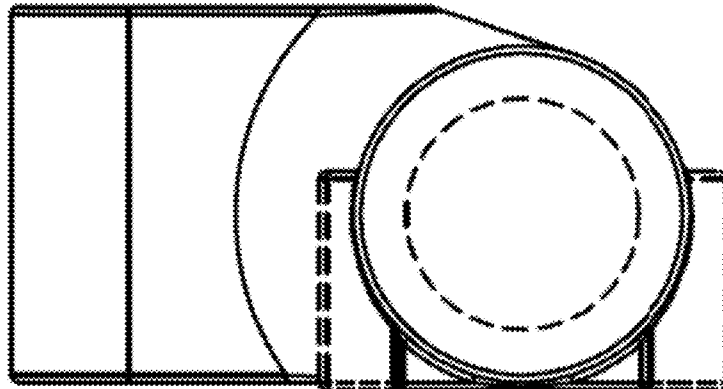
FIG. 5 is a top plan view of the multipoint manifold for evaporator coils;

FIG. 6 is a bottom plan view of the multipoint manifold for evaporator coils; and,

FIG. 7 is a perspective view of the multipoint manifold for evaporator coils.

The broken lines shown in the drawings are for the purpose of illustrating portions of the article that form no part of the claimed design.

1 Claim, 7 Drawing Sheets



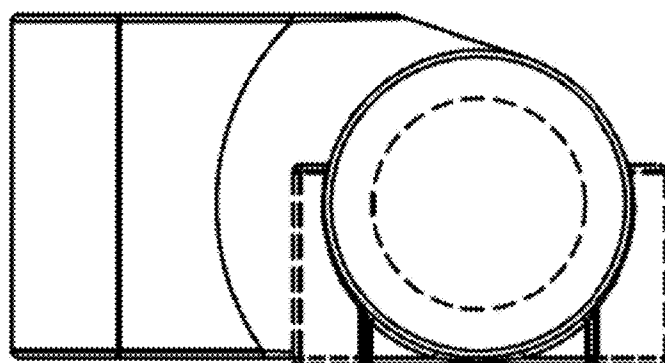


FIG. 1

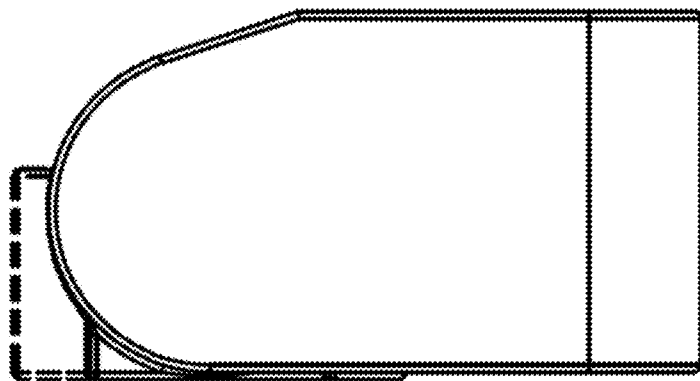


FIG. 2



FIG. 3

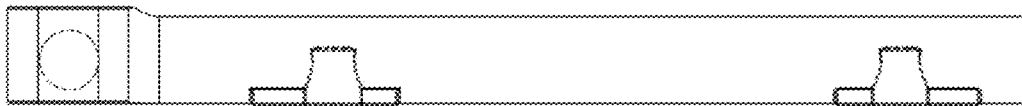


FIG. 4

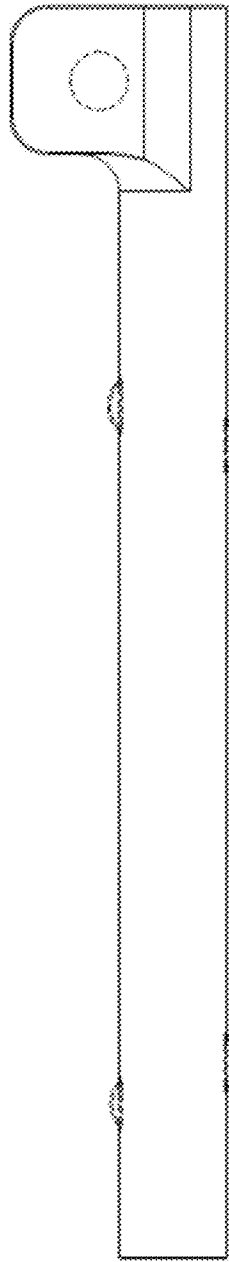


FIG. 5

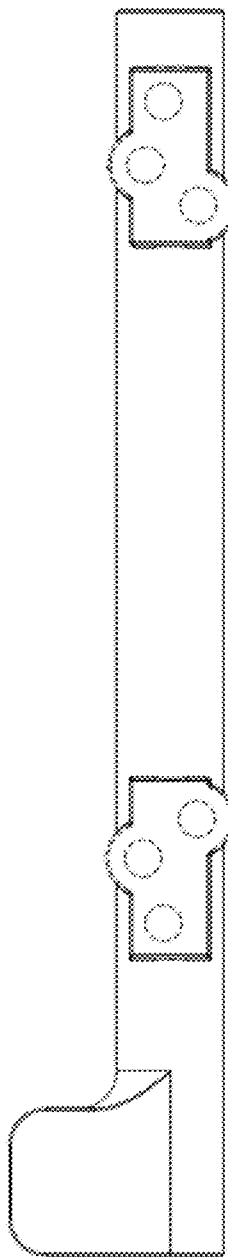


FIG. 6

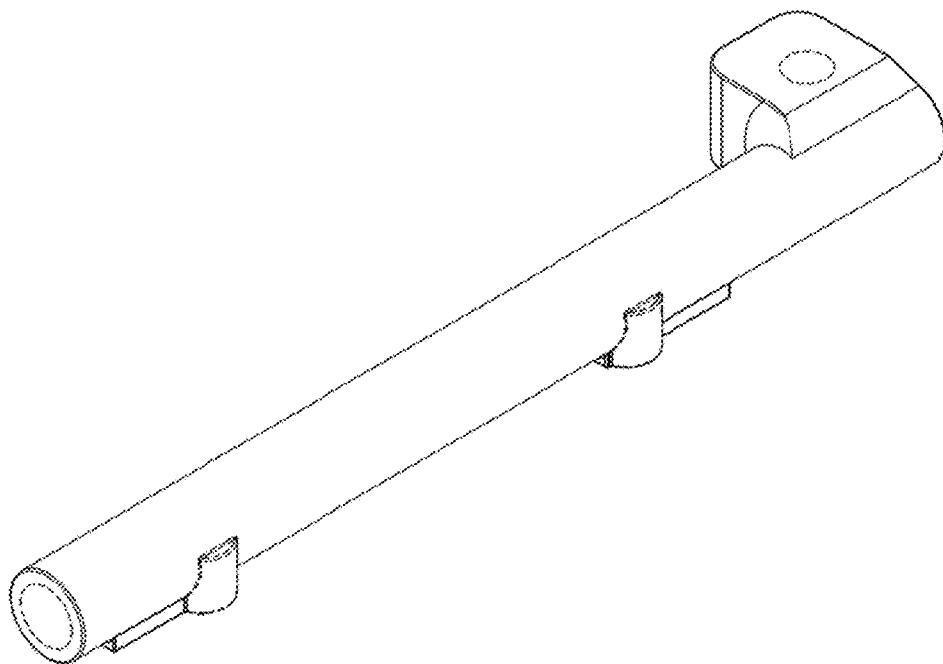


FIG. 7