



US00D785345S

(12) **United States Design Patent**
Yang et al.

(10) **Patent No.:** **US D785,345 S**

(45) **Date of Patent:** **** May 2, 2017**

(54) **MIRROR**

OTHER PUBLICATIONS

- (71) Applicant: **simplehuman, LLC**, Torrance, CA (US)
- (72) Inventors: **Frank Yang**, Rancho Palos Verdes, CA (US); **Tzu-Hao Wei**, Hacienda Heights, CA (US); **Daniel Ballou**, Long Beach, CA (US)
- (73) Assignee: **simplehuman, LLC**, Torrance, CA (US)
- (**) Term: **14 Years**

Simplehuman Wide View Sensor Mirror, posted on Amazon.com, posting date not given, [online], [site visited Aug. 9, 2016]. Available from internet, <URL: <https://www.amazon.com/simplehuman-Wide-View-Sensor-Mirror/dp/B01C2RXD7K>>.*

(Continued)

Primary Examiner — Caron D Veynar
Assistant Examiner — Maria Edwards
(74) *Attorney, Agent, or Firm* — Knobbe, Martens, Olson & Bear, LLP

- (21) Appl. No.: **29/519,719**
- (22) Filed: **Mar. 6, 2015**
- (51) **LOC (10) Cl.** **06-07**
- (52) **U.S. Cl.**
USPC **D6/310**
- (58) **Field of Classification Search**
USPC D6/300, 301, 310, 312
CPC A47G 1/00; A47G 1/04; G02B 5/08
See application file for complete search history.

(57) **CLAIM**

The ornamental design for a mirror, as shown and described.

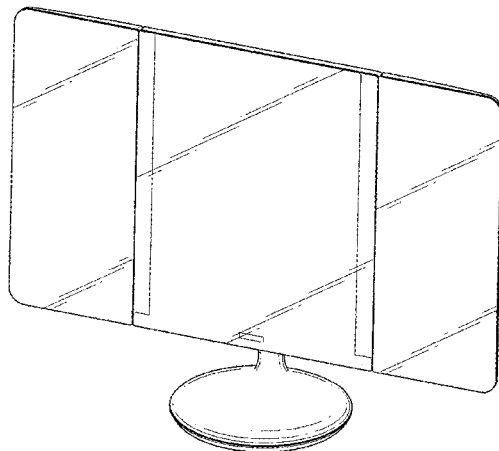
DESCRIPTION

FIG. 1 is a front elevation view of an embodiment of a mirror;
FIG. 2 is a rear elevation view thereof;
FIG. 3 is a left-side elevation view thereof;
FIG. 4 is a right-side elevation view thereof;
FIG. 5 is a top plan view thereof;
FIG. 6 is a bottom plan view thereof; and,
FIG. 7 is a top, front perspective view thereof.
FIG. 8 is a front elevation view of another embodiment of a mirror in an adjusted position;
FIG. 9 is a rear elevation view thereof;
FIG. 10 is a left-side elevation view thereof;
FIG. 11 is a right-side elevation view thereof;
FIG. 12 is a top plan view thereof;
FIG. 13 is a bottom plan view thereof; and,
FIG. 14 is a top, front perspective view thereof.
The broken lines shown are included for the purpose of illustrating portions of the mirror that form no part of the claimed design.

- (56) **References Cited**
U.S. PATENT DOCUMENTS
D44,537 S 8/1913 McIsaac
2,004,166 A 6/1935 Low
2,292,059 A * 8/1942 Daum A47G 1/04
160/181
2,687,674 A * 8/1954 Cleve A45D 42/16
248/475.1
D208,234 S 8/1967 Ely
3,623,356 A 11/1971 Bisberg
3,732,702 A 5/1973 Desch
(Continued)

- FOREIGN PATENT DOCUMENTS**
DE 20014279 U1 2/2001
DE 102004042929 A1 3/2006
(Continued)

1 Claim, 14 Drawing Sheets



(56)

References Cited

U.S. PATENT DOCUMENTS

- | | | | | | | | |
|----------------|---------|------------------|-------------------------|---|-----------------|---------------------|-----------------------|
| D254,208 S | 2/1980 | Breslow | | D679,102 S | 4/2013 | Gilboe et al. | |
| 4,278,870 A | 7/1981 | Carleton et al. | | D680,755 S | 4/2013 | Gilboe et al. | |
| D290,662 S * | 7/1987 | Basil | D6/310 | D688,883 S | 9/2013 | Gilboe et al. | |
| D307,358 S * | 4/1990 | Gerton | D6/302 | D689,701 S | 9/2013 | Mischel, Jr. et al. | |
| D309,833 S | 8/1990 | Wahl | | 8,585,273 B2 | 11/2013 | Pokrovskiy et al. | |
| D317,531 S | 6/1991 | Evans | | D699,448 S | 2/2014 | Yang et al. | |
| D335,580 S | 5/1993 | Gaullier | | D699,952 S | 2/2014 | Yang et al. | |
| 5,392,162 A | 2/1995 | Glucksman | | D701,050 S | 3/2014 | Yang et al. | |
| D378,159 S | 2/1997 | Mulkey | | D701,507 S | 3/2014 | Cope | |
| D379,125 S | 5/1997 | Simjian | | D711,871 S | 8/2014 | Daniel | |
| D391,773 S * | 3/1998 | Zaidman | D6/301 | D711,874 S | 8/2014 | Cope | |
| D409,003 S | 5/1999 | Scavini | | D712,963 S | 9/2014 | Fleet | |
| 5,984,485 A | 11/1999 | Poli et al. | | D729,527 S | 5/2015 | Tsai | |
| D425,313 S | 5/2000 | Zadro | | D736,001 S | 8/2015 | Yang et al. | |
| D426,182 S | 6/2000 | Brown | | D737,060 S | 8/2015 | Yang et al. | |
| D431,375 S | 10/2000 | Zadro | | D751,829 S | 3/2016 | Yang et al. | |
| 6,158,877 A | 12/2000 | Zadro | | D754,446 S | 4/2016 | Yang et al. | |
| 6,241,357 B1 | 6/2001 | Lee | | 2002/0196333 A1 | 12/2002 | Gorischek | |
| 6,270,240 B1 | 8/2001 | Inoue | | 2003/0030063 A1 | 2/2003 | Sosniak et al. | |
| 6,273,585 B1 | 8/2001 | Wu | | 2003/0031010 A1 | 2/2003 | Sosniak et al. | |
| 6,305,809 B1 | 10/2001 | Zadro | | 2004/0020509 A1 | 2/2004 | Waisman | |
| D459,094 S | 6/2002 | Stone et al. | | 2004/0125592 A1 | 7/2004 | Nagakubo et al. | |
| 6,420,682 B1 | 7/2002 | Sellgren et al. | | 2005/0243556 A1 | 11/2005 | Lynch | |
| D465,490 S * | 11/2002 | Wei | D14/374 | 2006/0186314 A1 | 8/2006 | Leung | |
| D474,432 S | 5/2003 | Good | | 2007/0297189 A1 | 12/2007 | Wu et al. | |
| 6,604,836 B2 | 8/2003 | Carlucci et al. | | 2008/0130305 A1 | 6/2008 | Wang et al. | |
| D488,626 S | 4/2004 | Kruger | | 2008/0258110 A1 | 10/2008 | Oshio | |
| D492,230 S | 6/2004 | Berger | | 2008/0298080 A1 | 12/2008 | Wu et al. | |
| 6,830,154 B2 | 12/2004 | Zadro | | 2009/0027902 A1 | 1/2009 | Fielding et al. | |
| 6,848,822 B2 | 2/2005 | Ballen et al. | | 2009/0207339 A1 | 8/2009 | Ajichi et al. | |
| D505,555 S | 5/2005 | Snell | | 2009/0301927 A1 | 12/2009 | Fvlbrook et al. | |
| 6,886,351 B2 | 5/2005 | Palfy et al. | | 2010/0033988 A1 | 2/2010 | Chiu et al. | |
| D508,883 S | 8/2005 | Falconer | | 2010/0118422 A1 * | 5/2010 | Holacka | A47G 1/02
359/854 |
| D509,369 S | 9/2005 | Snell | | 2010/0118520 A1 | 5/2010 | Stern et al. | |
| D511,413 S | 11/2005 | Yue | | 2010/0296298 A1 | 11/2010 | Martin, Jr. | |
| 7,004,599 B2 | 2/2006 | Mullani | | 2011/0058269 A1 | 3/2011 | Su | |
| 7,048,406 B1 | 5/2006 | Shih | | 2011/0080374 A1 | 4/2011 | Feng et al. | |
| 7,090,378 B1 | 8/2006 | Zadro | | 2011/0211079 A1 | 9/2011 | Rolston | |
| D532,981 S | 12/2006 | Zadro | | 2012/0229789 A1 | 9/2012 | Kang et al. | |
| 7,233,154 B2 | 6/2007 | Groover et al. | | 2013/0026512 A1 | 1/2013 | Tsai | |
| D546,567 S | 7/2007 | Bhavnani | | 2013/0077292 A1 | 3/2013 | Zimmerman | |
| D558,987 S | 1/2008 | Gildersleeve | | 2013/0190845 A1 | 7/2013 | Liu et al. | |
| 7,341,356 B1 | 3/2008 | Zadro | | 2013/0235607 A1 | 9/2013 | Yang et al. | |
| 7,347,573 B1 * | 3/2008 | Isler | A45D 42/10
359/854 | 2013/0235610 A1 | 9/2013 | Yang et al. | |
| D568,081 S | 5/2008 | Thompson et al. | | 2014/0240964 A1 | 8/2014 | Adachi et al. | |
| D569,671 S | 5/2008 | Thompson et al. | | 2015/0060431 A1 | 3/2015 | Yang et al. | |
| D572,024 S * | 7/2008 | Shapiro | D6/301 | 2016/0045015 A1 * | 2/2016 | Baldwin | A45D 42/18
359/854 |
| 7,393,115 B2 | 7/2008 | Tokushita et al. | | 2016/0255941 A1 | 9/2016 | Yang et al. | |
| D574,159 S | 8/2008 | Howard | | FOREIGN PATENT DOCUMENTS | | | |
| D584,516 S * | 1/2009 | Otomo | D6/310 | DE | 102006060781 A1 | 4/2008 | |
| 7,513,476 B1 | 4/2009 | Huang | | DE | 202009004795 U1 | 9/2009 | |
| 7,626,655 B2 | 12/2009 | Yamazaki et al. | | DE | 202010000170 U1 | 7/2010 | |
| D635,009 S | 3/2011 | Paterson | | DE | 202012103555 U1 | 12/2013 | |
| D639,077 S | 6/2011 | DeBretton Gordon | | EP | 1792553 A2 | 6/2007 | |
| D647,444 S | 10/2011 | Manukyan et al. | | JP | 2008-073174 A | 4/2008 | |
| D649,790 S | 12/2011 | Pitot | | OTHER PUBLICATIONS | | | |
| D652,220 S | 1/2012 | Pitot | | Sensor mirror pro wide-view, posted on simplehuman.com, posting date not given, [online], [site visited Aug. 9, 2016]. Available from internet, <URL: http://www.simplehuman.com/wide-view-sensor-mirror >.* | | | |
| D656,979 S | 4/2012 | Yip et al. | | U.S. Appl. No. 29/464,995, filed Aug. 22, 2013, Yang et al. | | | |
| D657,425 S | 4/2012 | Podd | | U.S. Appl. No. 29/480,510, filed Jan. 27, 2014, Yang et al. | | | |
| D657,576 S | 4/2012 | Pitot | | U.S. Appl. No. 29/484,906, filed Mar. 13, 2014, Yang et al. | | | |
| 8,162,502 B1 | 4/2012 | Zadro | | Simple Human Vanity Mirror, available from internet at http://www.bedbathandbeyond.com/store/products/simplehuman-reg-5x-sensor-vanity-mirror/1041483503?categoryId=12028 , apparently available Dec. 19, 2013, site visited Dec. 2, 2014. | | | |
| D658,604 S | 5/2012 | Egawa et al. | | Simple Human Sensor Mirror, Internet Archive Wayback Machine webpage capture of http://www.tuvie.com/stainless-steel-sensor-mirror-by-simplehuman/ , apparently available Jan. 27, 2013, site visited Dec. 2, 2014. | | | |
| D660,367 S | 5/2012 | Podd | | | | | |
| D660,368 S | 5/2012 | Podd | | | | | |
| D660,369 S | 5/2012 | Podd | | | | | |
| 8,194,133 B2 | 6/2012 | DeWind et al. | | | | | |
| D665,030 S | 8/2012 | Podd | | | | | |
| D666,010 S | 8/2012 | Farley | | | | | |
| D670,087 S | 11/2012 | Walker | | | | | |
| 8,356,908 B1 | 1/2013 | Zadro | | | | | |
| 8,382,189 B2 | 2/2013 | Li et al. | | | | | |
| 8,393,749 B1 * | 3/2013 | Daicos | F16M 11/2014
248/466 | | | | |
| D679,101 S | 4/2013 | Pitot | | | | | |

(56)

References Cited

OTHER PUBLICATIONS

Simplehuman Mini Sensor Mirror, available from internet at http://www.amazon.com/gp/product/B00FZ3MFAA/ref=pd_lpo_sbs_dp_ss_2?pf_rd_p=1944579862&pf_rd_s=lpo-top-stripe-1&pf_rd_t=201&pf_rd_i=B00M8MC5H4&pf_rd_m=ATVPDKIKX0DER&pf_rd_r=0RHFJEABM9QKSWJKK99N#Ask, apparently available Mar. 11, 2014, site visited Jan. 8, 2015.

Simplehuman Sensor Mirror, available from internet at <http://www.amazon.com/simplehuman-Sensor-Sensor-Activated-Lighted-Magnification/dp/B00M8MC5H4#customerReviews>, apparently available Dec. 31, 2014, site visited Jan. 8, 2015.

Simplehuman Wall Mount Mirror, available from internet at <http://www.amazon.com/simplehuman-Wall-Mount-Sensor-Mirror/dp/B00FN92ELG#customerReviews>, apparently available Jan. 31, 2013, site visited Jan. 8, 2015.

Brookstone Shower Mirror, available from internet at http://www.brookstone.com/9-Lighted-Fogless-Shower-Mirror?bkiid=?SubCategory_Bath_Spa_Mirrors_Lighting_Makeup_Mirrors%7CSubCategoryWidget%7C608364p&catId=n/, apparently available Jan. 15, 2013, site visited Dec. 2, 2014.

Jerdon Wall Mounted Mirror, available from internet at http://www.amazon.com/Jerdon-HL1016NL-9-5-Inch-Lighted-Magnification/dp/B00413G9K2/ref=sr_1_26?ie=UTF8&qid=1420579897&sr=8-26&keywords=wall+mounted+mirror#customerReviews, apparently available Feb. 21, 2009, site visited Jan. 8, 2015.

Jerdon Wall Mounted Mirror, available from internet at http://www.amazon.com/Jerdon-JD7C-9-Inch-Lighted-Magnification/dp/B001DKVC08/ref=sr_1_54?ie=UTF8&qid=1420580127&sr=8-54&keywords=wall+mounted+mirror, apparently available Oct. 6, 2010, site visited Jan. 8, 2015.

U.S. Appl. No. 15/060,080, filed Mar. 3, 2016, Yang et al.

U.S. Appl. No. 15/073,990, filed Mar. 18, 2016, Yang et al.

Advanced Lighting Guidelines, 1993 (second edition), Chapter entitled, "Occupant Sensors", Published by California Energy Commission (CEC Pub.), in 14 pages.

Zadro Z'fogless Mirror with Light, available from internet at http://www.amazon.com/Zadro-IX-Zfogless-Adjustable-Magnification/dp/B000ARWLIW/ref=sr_1_16?s=beauty&ie=UTF8&qid=1439229012&sr=1-16&keywords=zadro+lighted+fogless+mirror, apparently available Nov. 27, 2006, site visited Aug. 10, 2015.

* cited by examiner

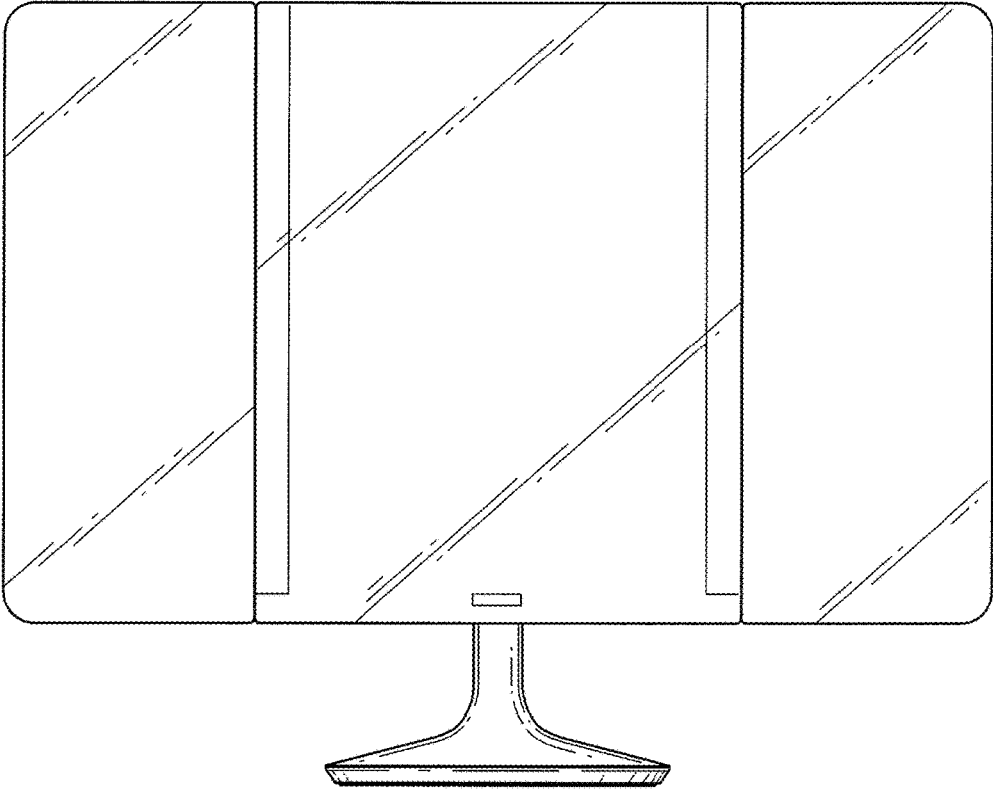


FIG. 1

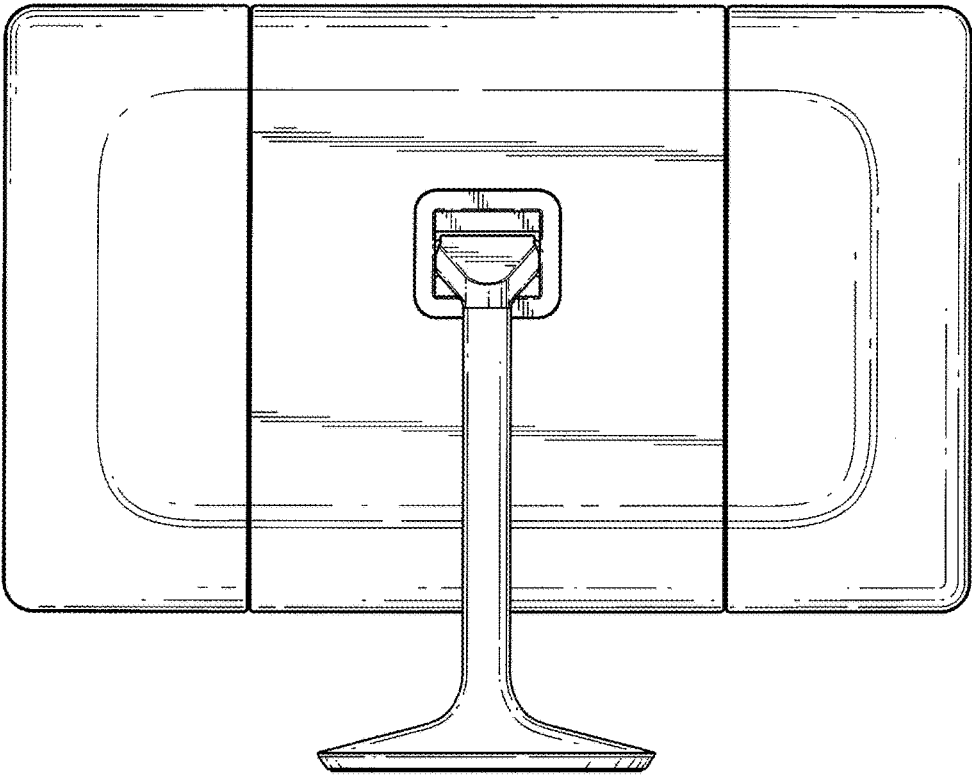


FIG. 2

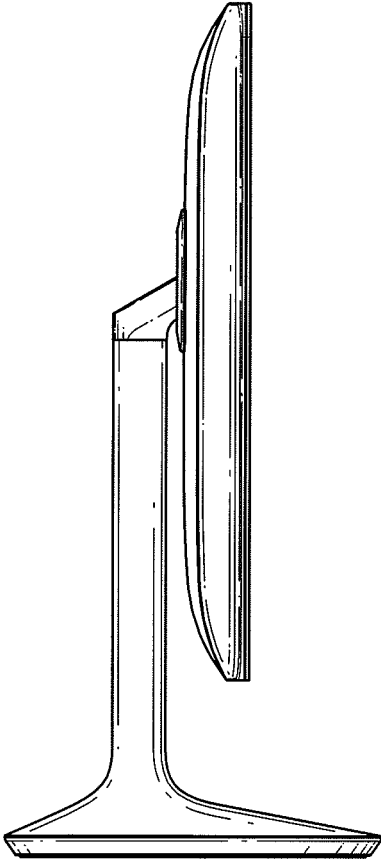


FIG. 3

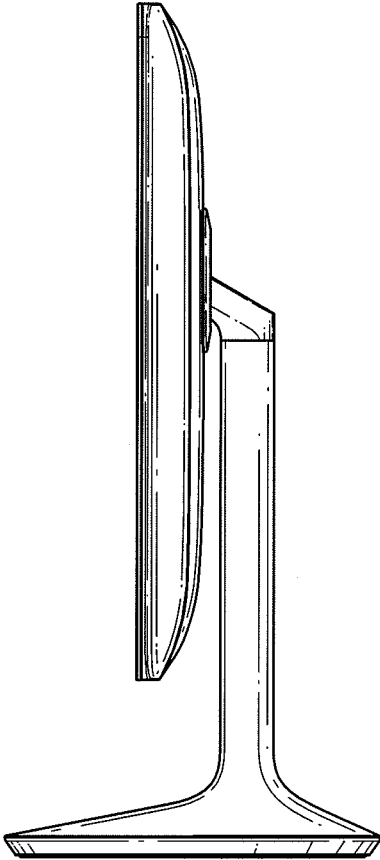


FIG. 4

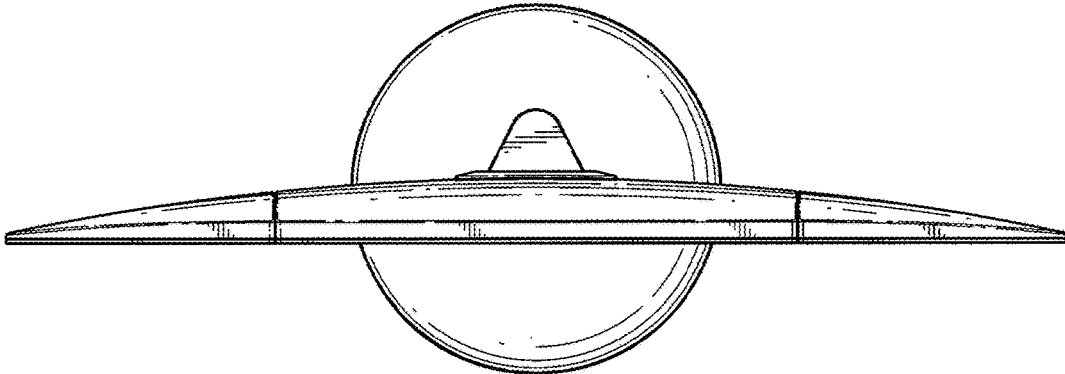


FIG. 5

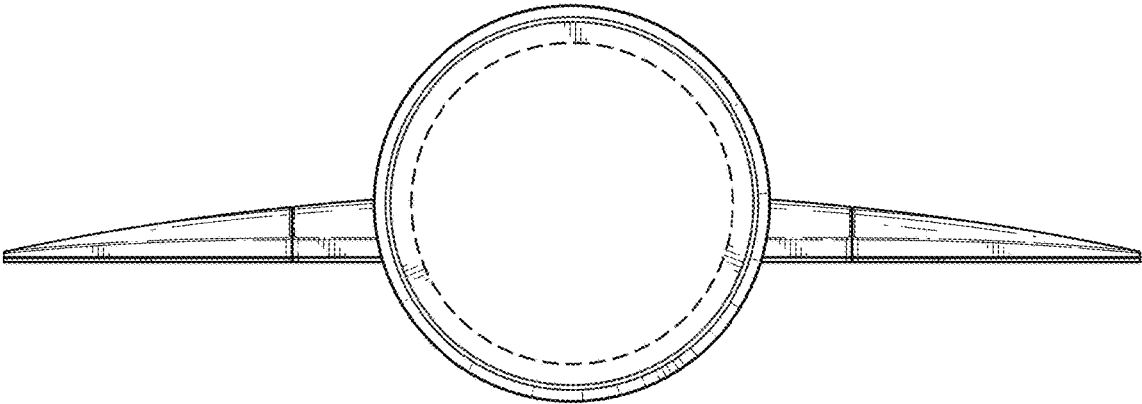


FIG. 6

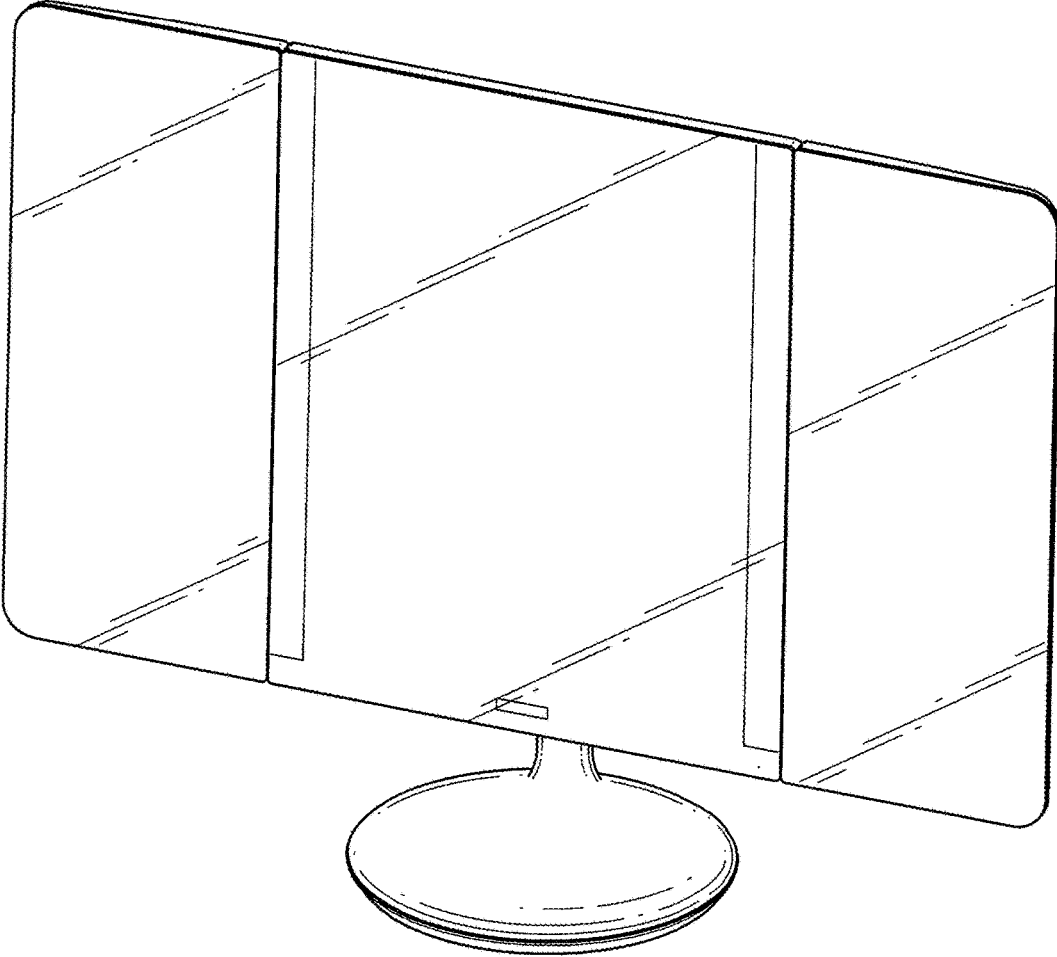


FIG. 7

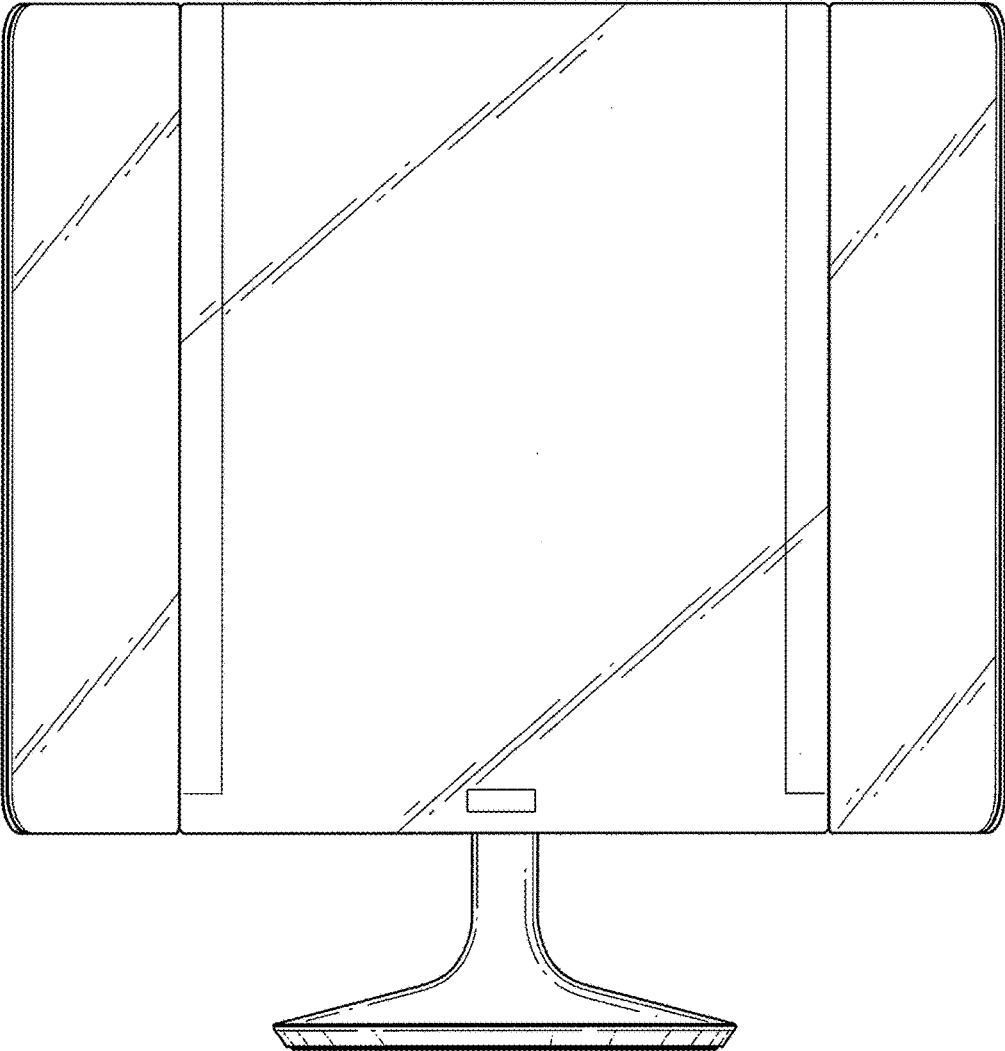


FIG. 8

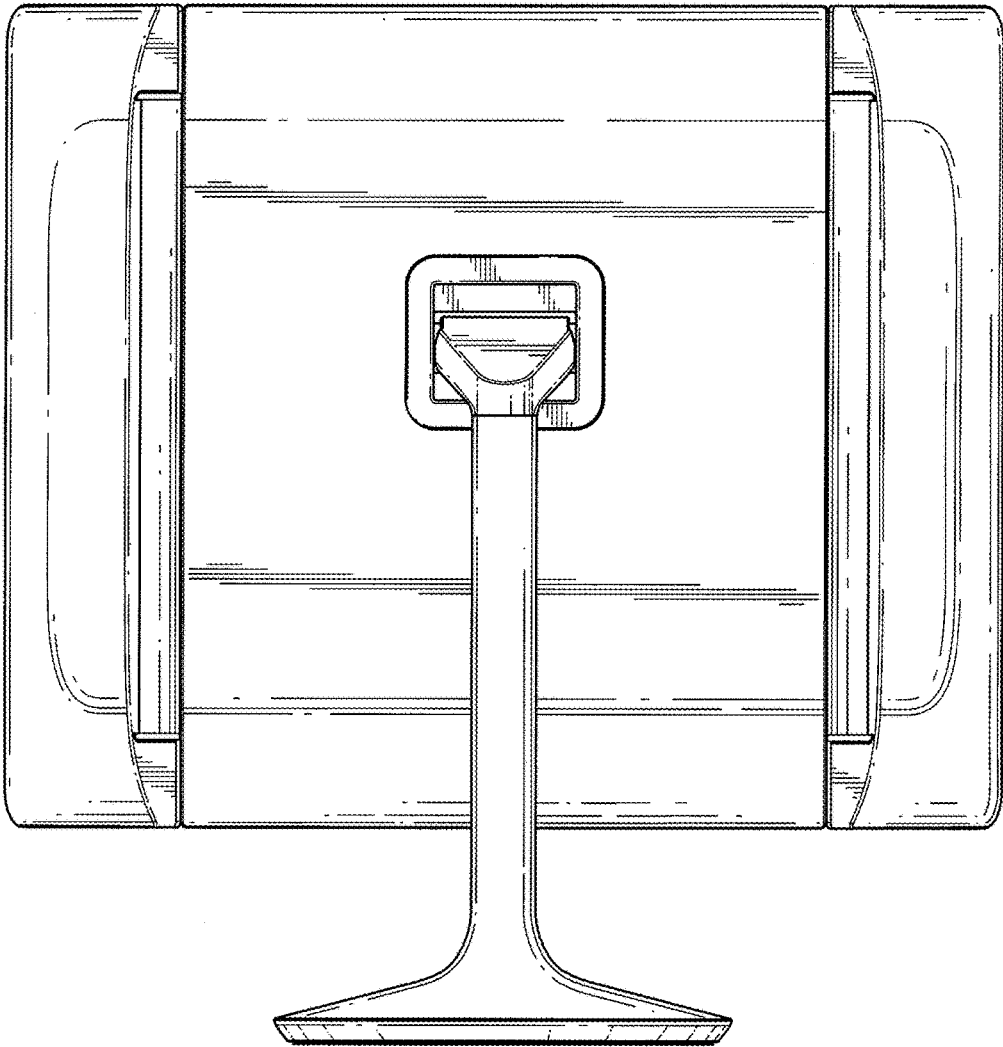


FIG. 9

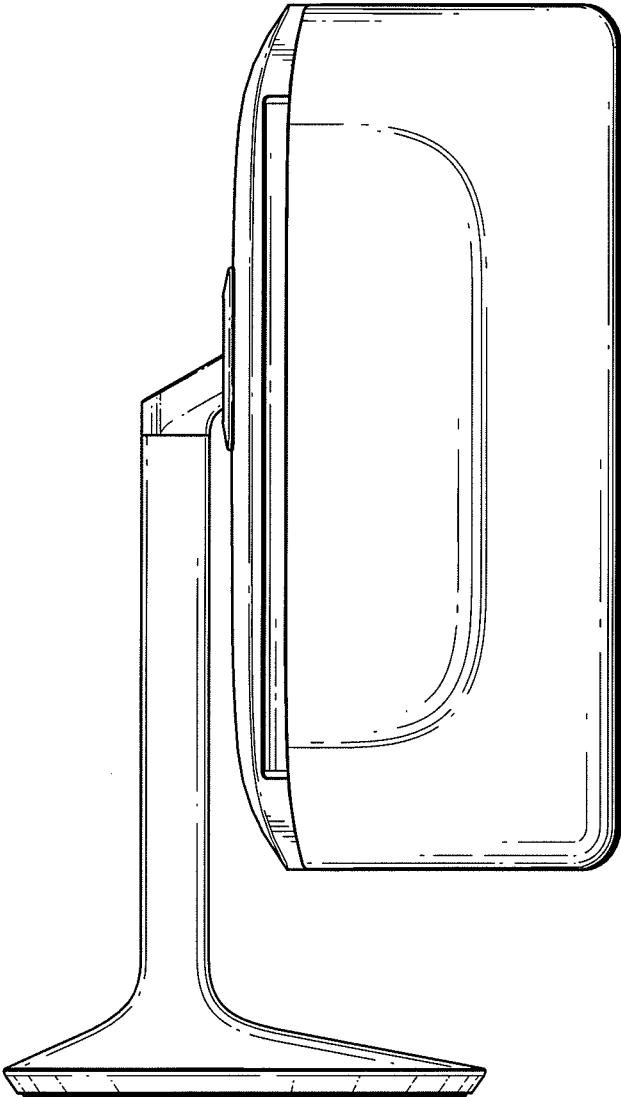


FIG. 10

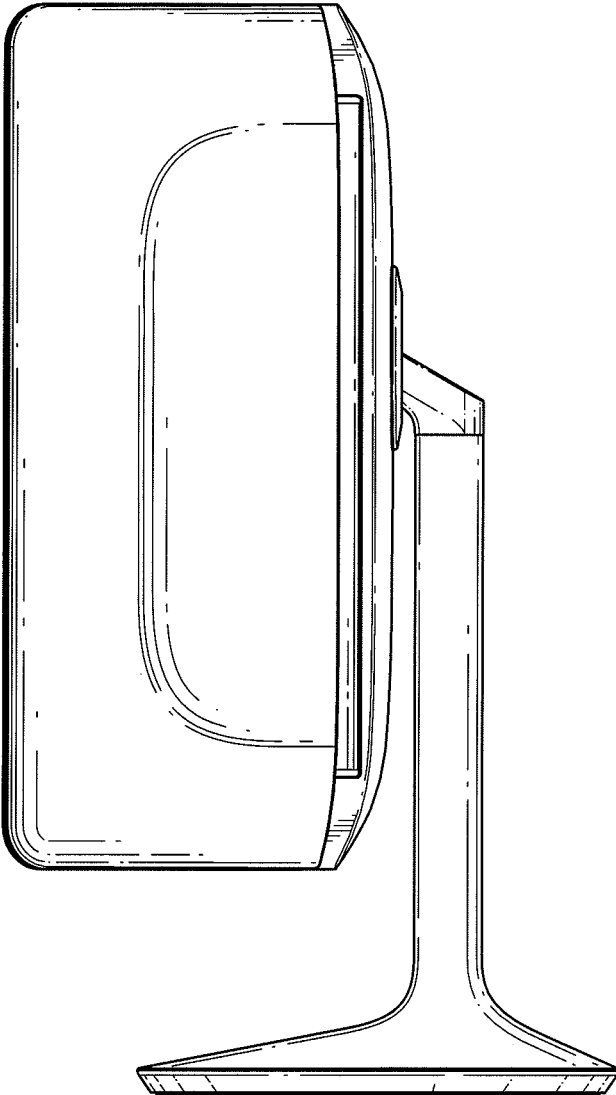


FIG. 11

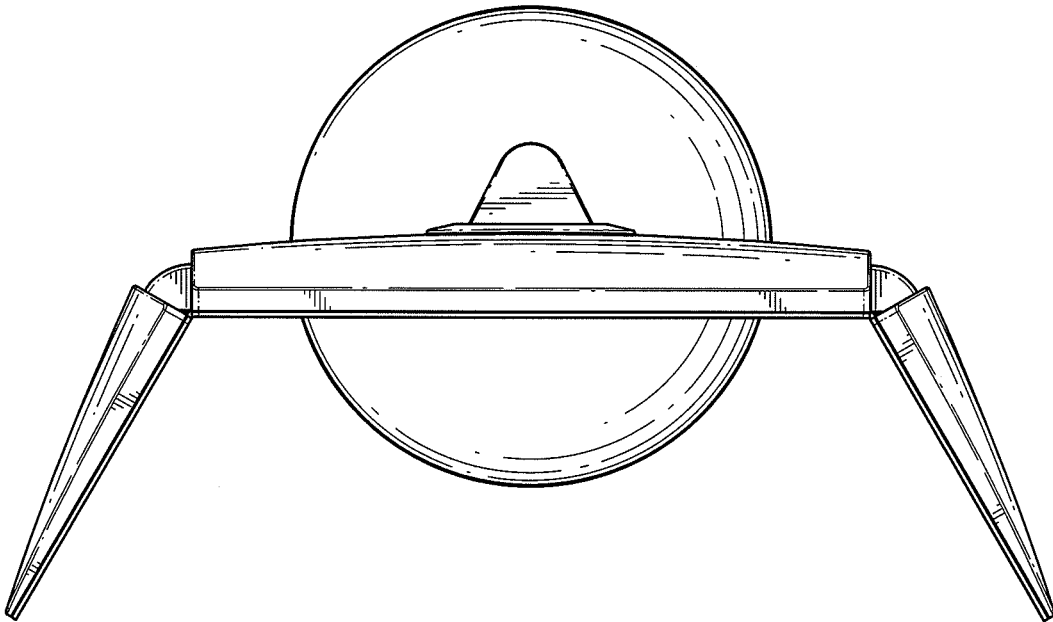


FIG. 12

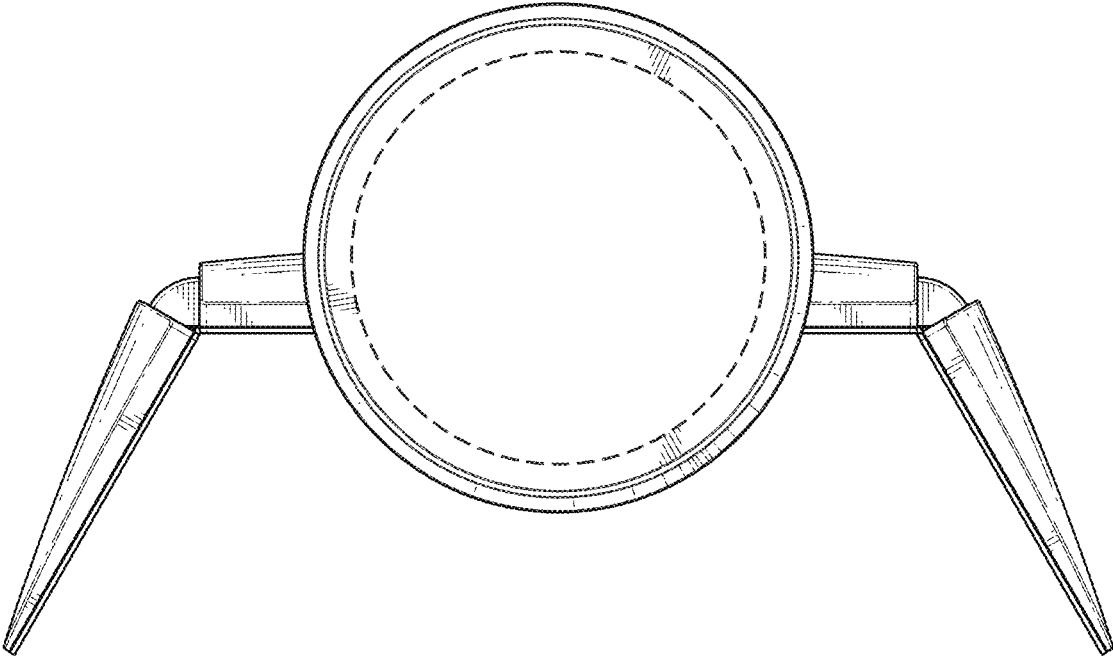


FIG. 13

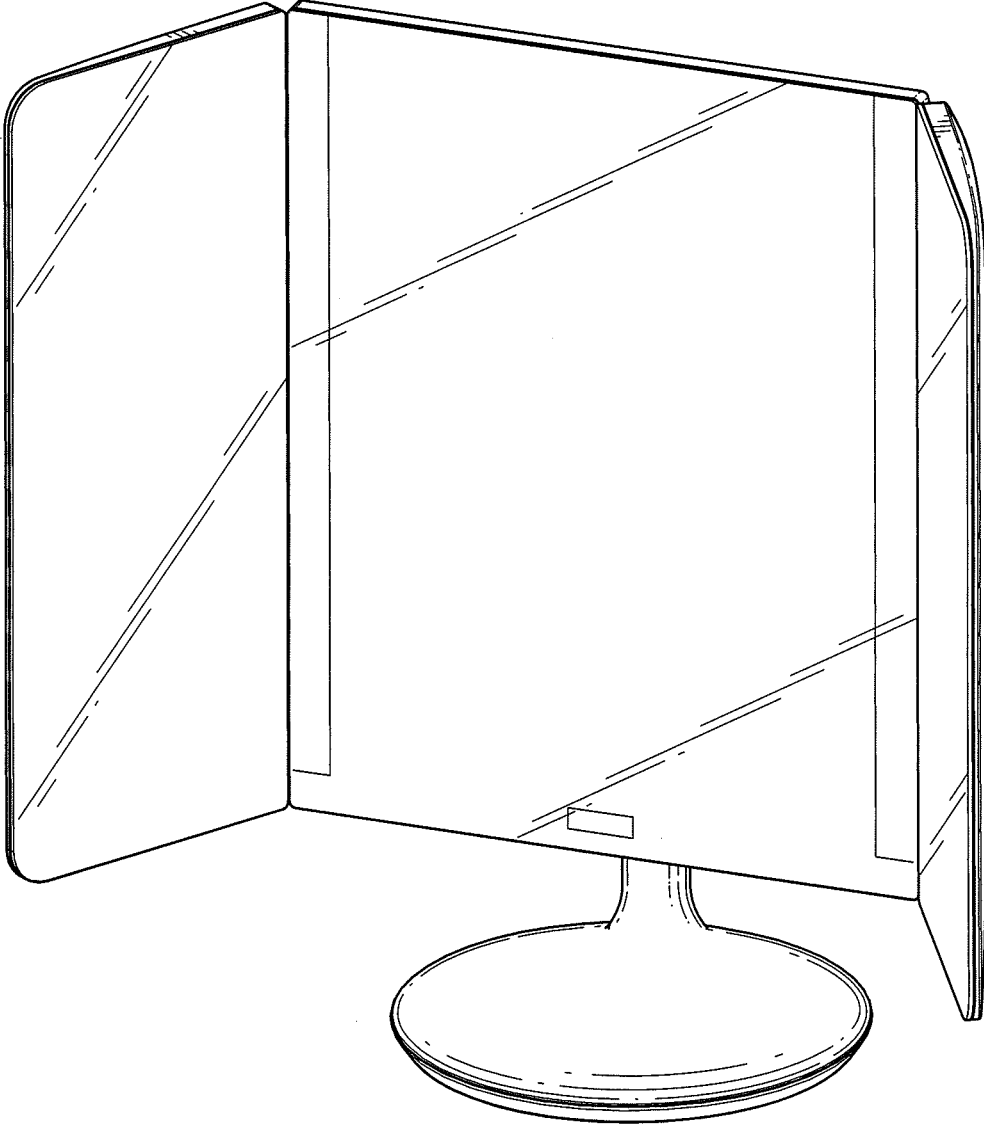


FIG. 14