



US00D564822S

(12) **United States Design Patent**  
**Goto**

(10) **Patent No.:** **US D564,822 S**

(45) **Date of Patent:** **\*\* Mar. 25, 2008**

(54) **CASE FOR STORAGE MEDIUM**

(75) Inventor: **Teiyu Goto**, Tokyo (JP)

(73) Assignee: **Sony Computer Entertainment Inc.**,  
Tokyo (JP)

(\*\*) Term: **14 Years**

(21) Appl. No.: **29/268,485**

(22) Filed: **Nov. 8, 2006**

(30) **Foreign Application Priority Data**

May 8, 2006 (JP) ..... D2006-011636

(51) **LOC (8) Cl.** ..... **06-04**

(52) **U.S. Cl.** ..... **D6/632**

(58) **Field of Classification Search** ..... D6/396,  
D6/407, 631, 632, 634; 206/307.1, 308.1,  
206/308.2, 308.3, 445; 312/9

See application file for complete search history.

(56) **References Cited**

**U.S. PATENT DOCUMENTS**

D420,240 S *	2/2000	Sorenson et al.	.....	D6/632
D459,935 S *	7/2002	Takahashi et al.	.....	D6/634
D465,960 S *	11/2002	Yau	.....	D6/632
D493,661 S *	8/2004	Yau	.....	D6/635
D495,913 S *	9/2004	Hsiao	.....	D6/635
D519,772 S *	5/2006	Jun	.....	D6/632
D519,773 S *	5/2006	Jun	.....	D6/632
D520,291 S *	5/2006	Nagata et al.	.....	D6/631
D522,791 S *	6/2006	Ho	.....	D6/634
D525,069 S *	7/2006	Farrar et al.	.....	D6/632

\* cited by examiner

*Primary Examiner*—Adir Aronovich

*Assistant Examiner*—Dana L Sipos

(74) *Attorney, Agent, or Firm*—Rader, Fishman & Grauer, PLLC

(57) **CLAIM**

The ornamental design for a case for storage medium, as shown and described.

**DESCRIPTION**

FIG. 1 is a front elevational view of a case for storage medium showing my new design;

FIG. 2 is a rear elevational view thereof;

FIG. 3 is a left side elevational view thereof;

FIG. 4 is a right side elevational view thereof;

FIG. 5 is a top plan view thereof; and

FIG. 6 is a bottom plan view thereof.

FIG. 7 is a front elevational view thereof;

FIG. 8 is a cross-sectional view thereof taken along line 8—8'—8" shown in FIG. 7;

FIG. 9 is a bottom, front, right side perspective view of the case for storage medium of FIG. 1;

FIG. 10 is a front elevational view thereof in a closed state; FIG. 11 is a right side elevational view thereof in a closed state;

FIG. 12 is a top plan view thereof in a closed state;

FIG. 13 is a bottom plan view thereof in a closed state;

FIG. 14 is a front, right, bottom perspective view thereof in a closed state; and,

FIG. 15 is a rear, left, bottom perspective view thereof in a closed state.

Portions shown in broken lines are for illustrative purposes only and form no part of the claimed design.

**1 Claim, 15 Drawing Sheets**

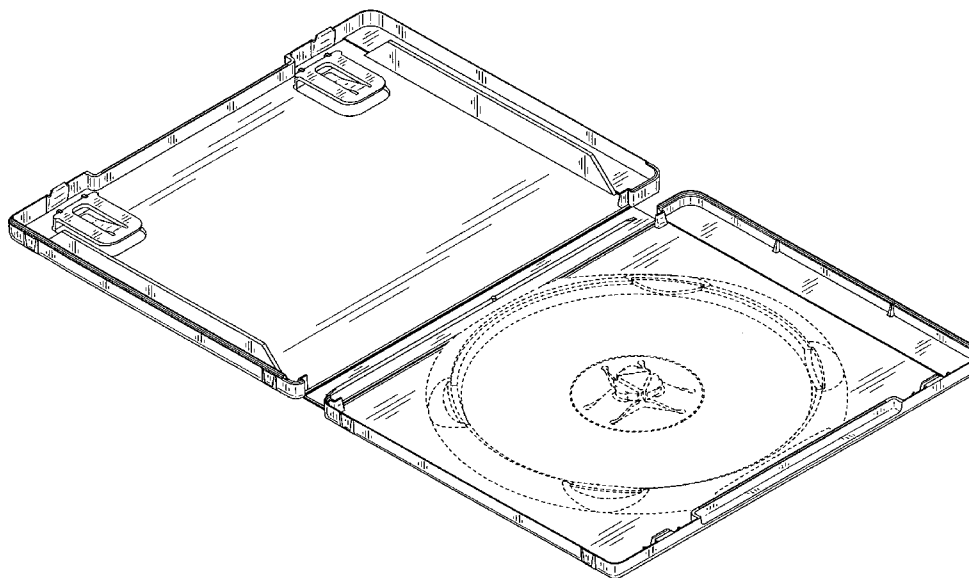


Fig. 1

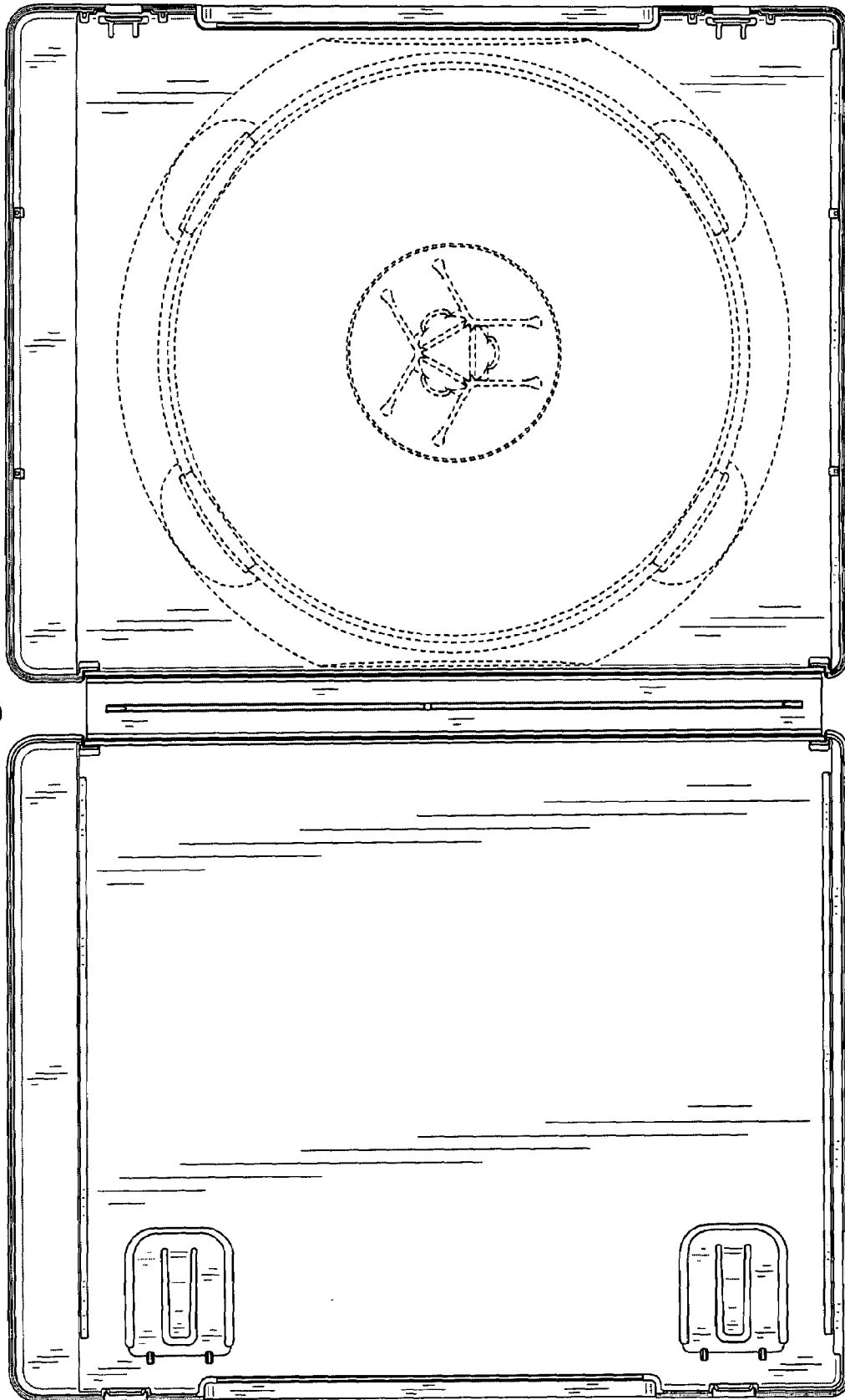


Fig.2

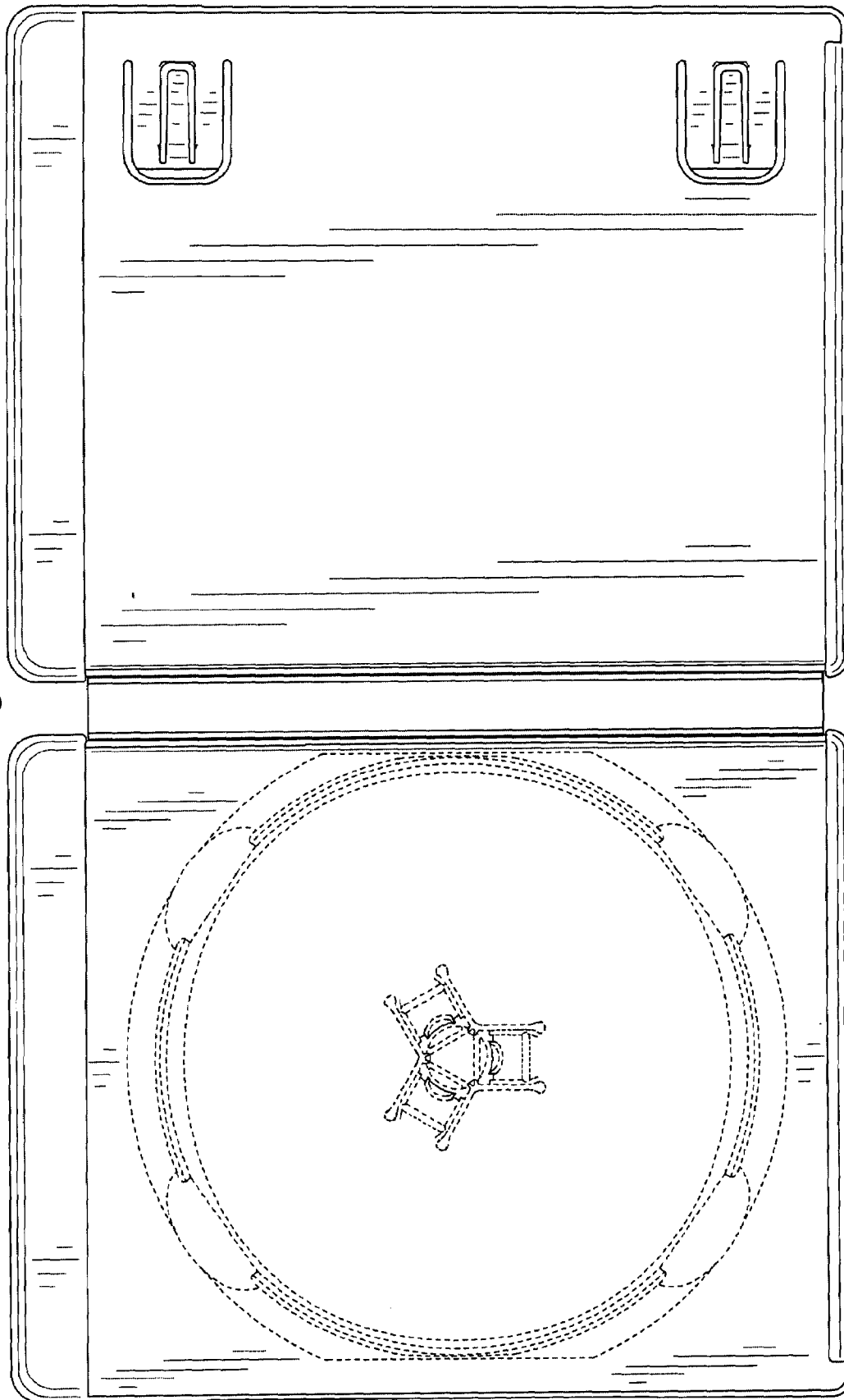




Fig. 3

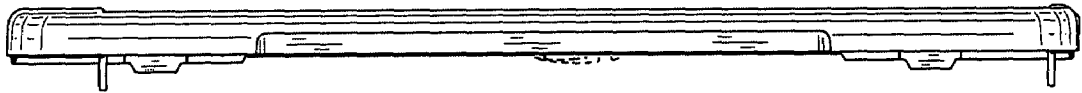


Fig. 4

Fig.5

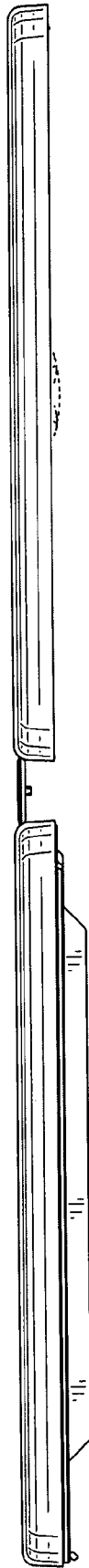


Fig.6

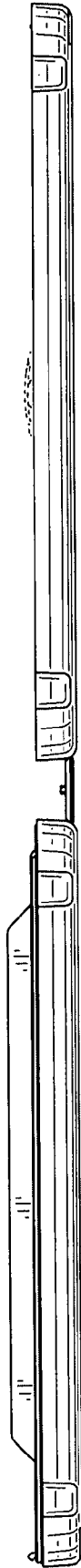


Fig.7

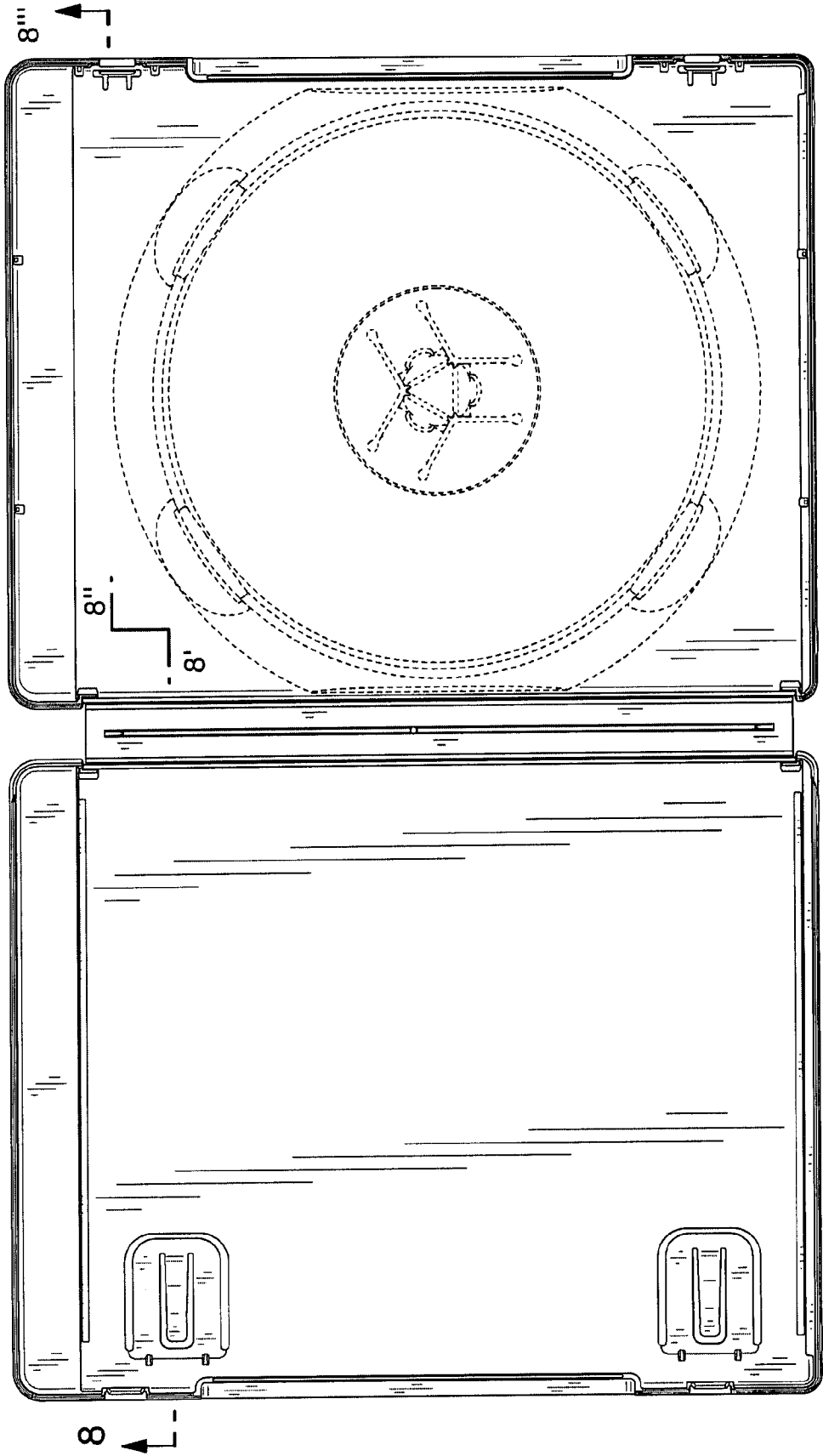




Fig. 8

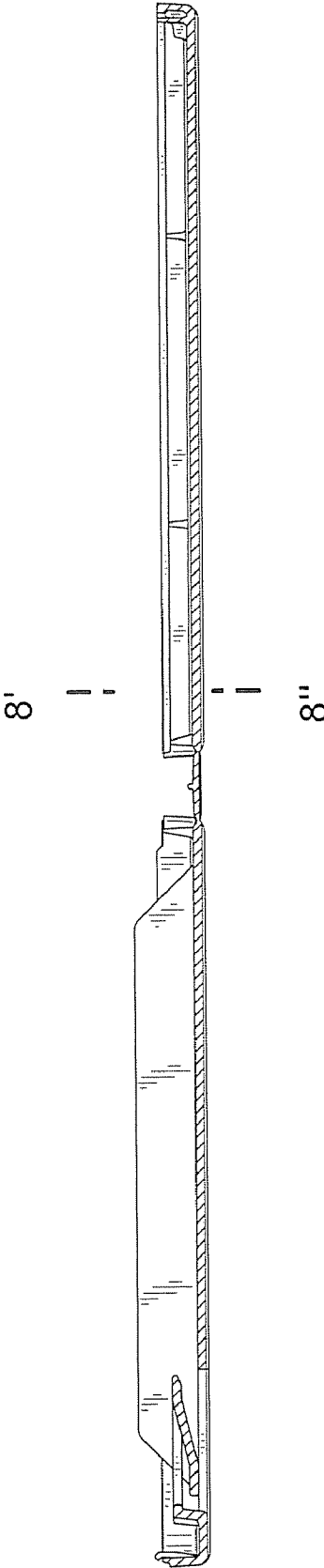


Fig. 9

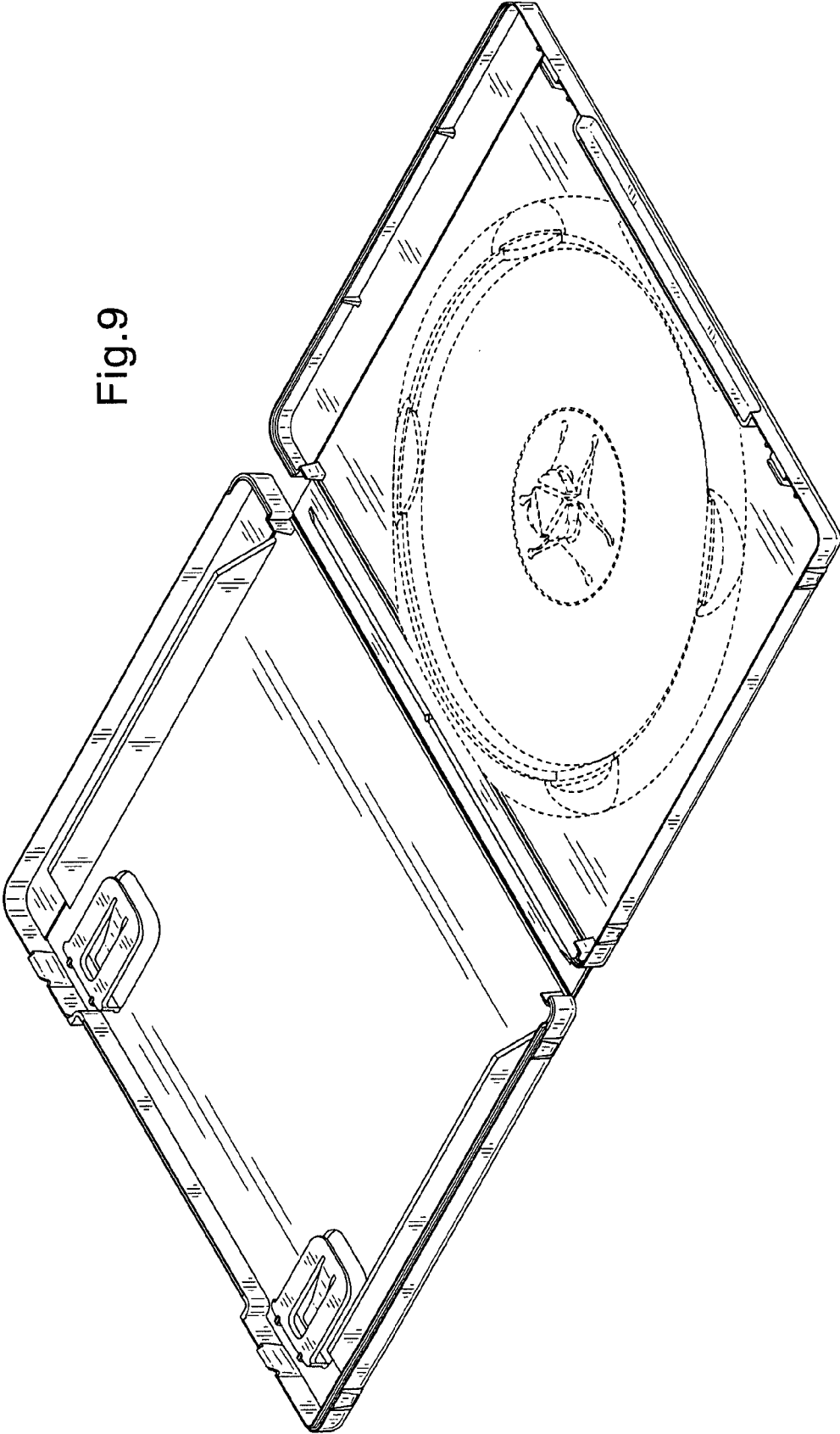
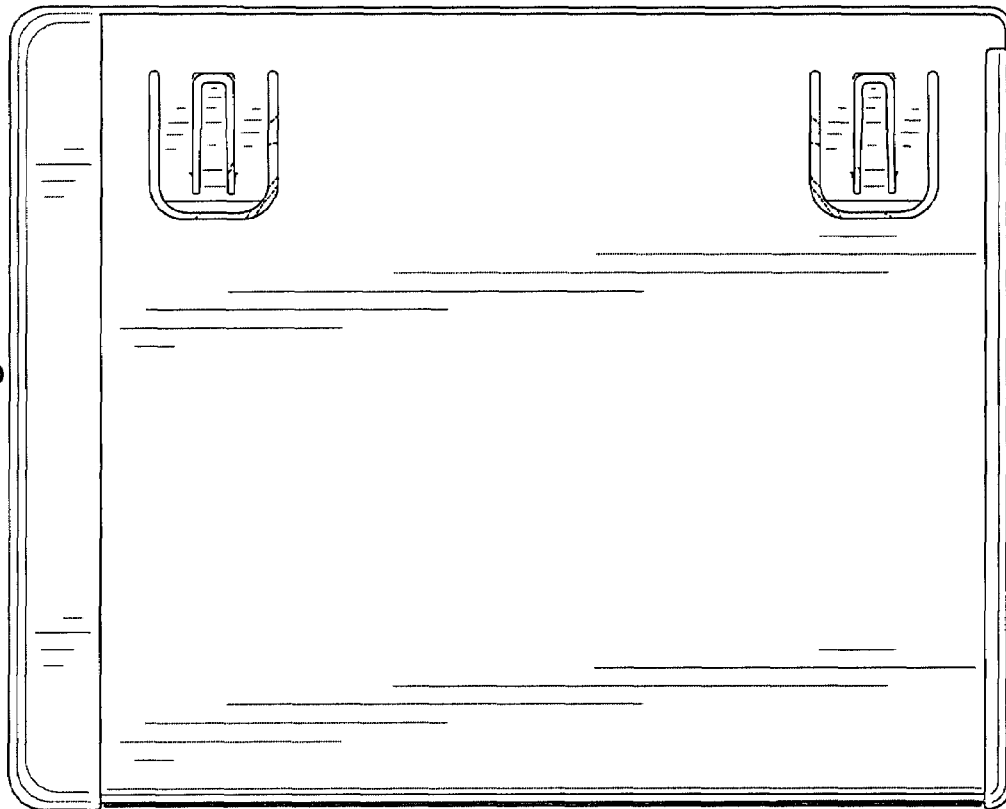


Fig.10



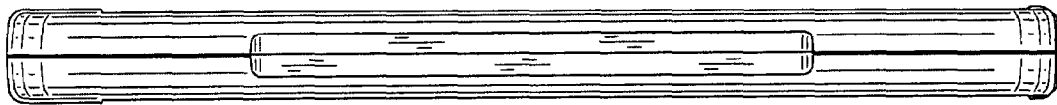


Fig.11

Fig. 12



Fig. 13



Fig.14

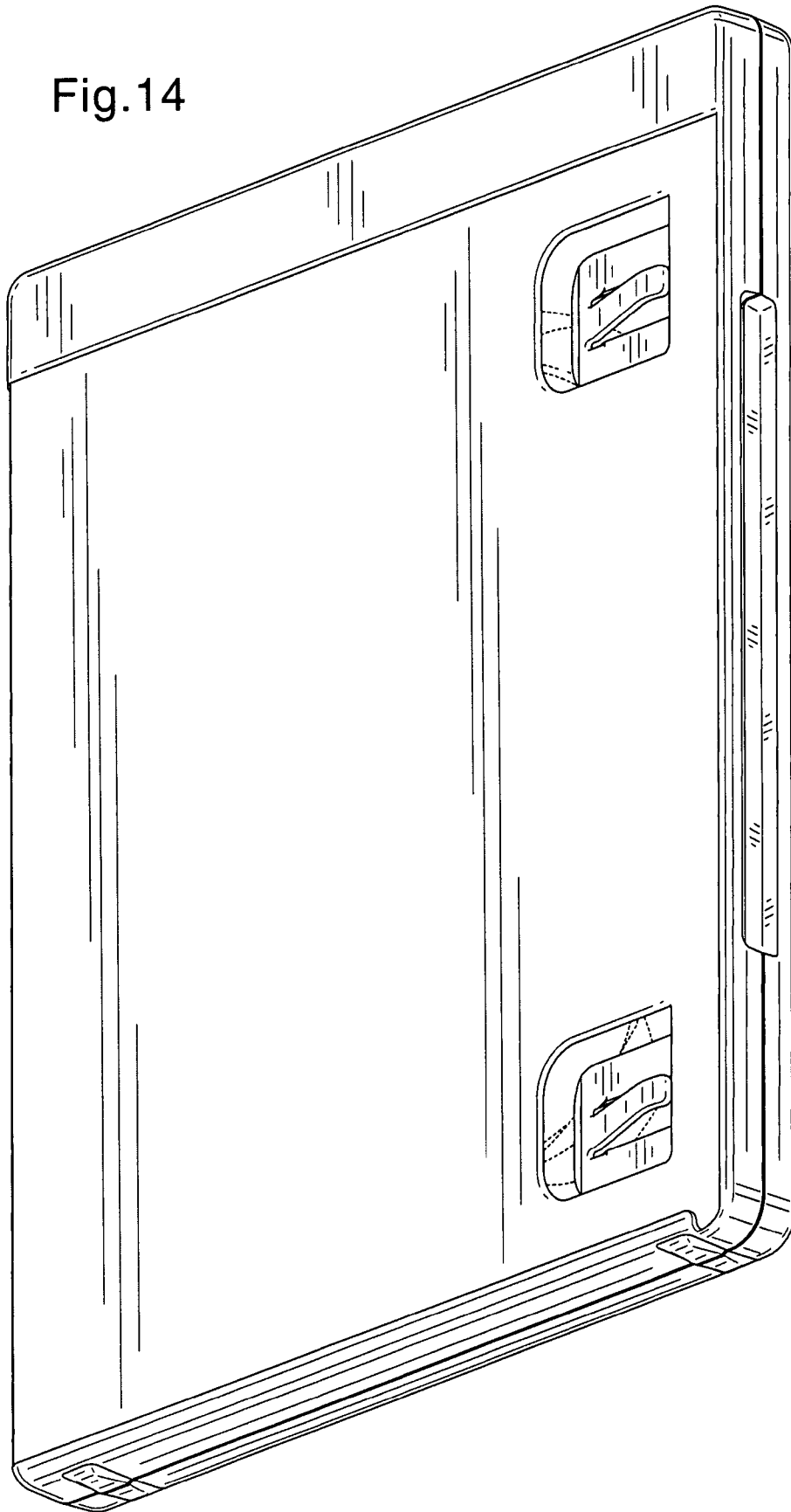


Fig.15

