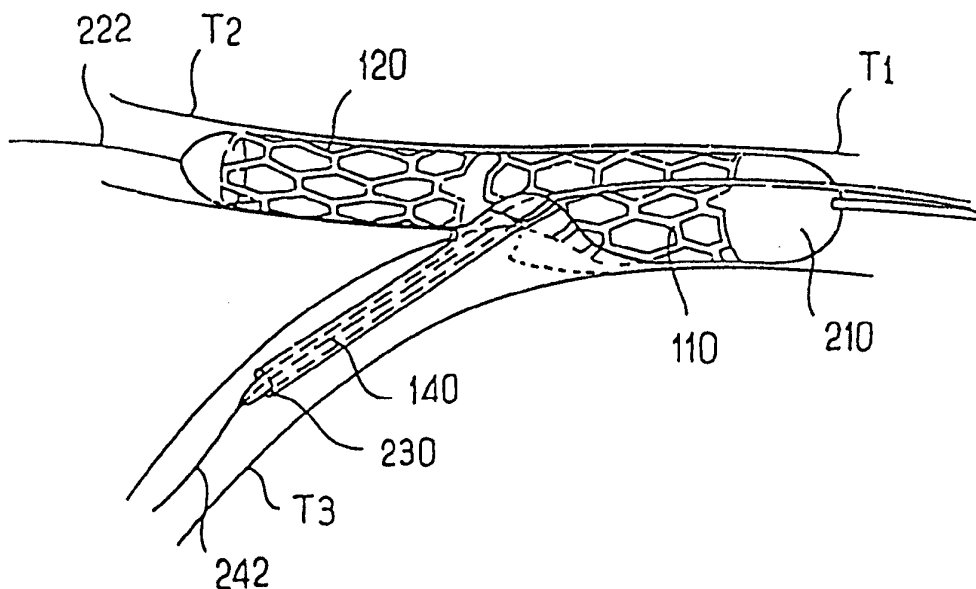




INTERNATIONAL APPLICATION PUBLISHED UNDER THE PATENT COOPERATION TREATY (PCT)

(51) International Patent Classification ⁶ : A61F 2/06	A1	(11) International Publication Number: WO 96/34580 (43) International Publication Date: 7 November 1996 (07.11.96)
<p>(21) International Application Number: PCT/IB96/00403</p> <p>(22) International Filing Date: 3 May 1996 (03.05.96)</p> <p>(30) Priority Data: 95/05334 4 May 1995 (04.05.95) FR</p> <p>(71)(72) Applicant and Inventor: DIBIE, Alain [FR/FR]; 37, avenue de Lowendal, F-75015 Paris (FR).</p> <p>(74) Agents: MARTIN, J., J. et al.; Cabinet Regimbeau, 26, Avenue Kléber, F-75116 Paris (FR).</p>	<p>(81) Designated States: AU, CA, JP, US, European patent (AT, BE, CH, DE, DK, ES, FI, FR, GB, GR, IE, IT, LU, MC, NL, PT, SE).</p> <p>Published <i>With international search report.</i></p>	

(54) Title: ENDOPROSTHESIS FOR THE TREATMENT OF BLOOD-VESSEL BIFURCATION STENOSIS AND PURPOSE-BUILT INSTALLATION DEVICE



(57) Abstract

This invention relates to an endoprosthesis for the treatment of blood-vessel bifurcation stenosis that is characterised by the fact that it comprises three tubular sections (110, 120 and 140) and two connectors (130 and 150), namely: a proximal section (110), a first distal section (120) aligned at least approximately with the proximal section (110) and intended for insertion into a first blood vessel (T2) branching off on the bifurcation, the first distal section (120) being linked to the proximal section (110) by a first lateral connector (130) and a second distal section (140), located at the side of the first distal section (120) and intended for insertion into a second vessel (T3) branching off from the bifurcation, the two distal sections (120 and 140) having their proximal ends linked by a second connector (150). The invention also relates to a double-balloon dilation system.

FOR THE PURPOSES OF INFORMATION ONLY

Codes used to identify States party to the PCT on the front pages of pamphlets publishing international applications under the PCT.

AM	Armenia	GB	United Kingdom	MW	Malawi
AT	Austria	GE	Georgia	MX	Mexico
AU	Australia	GN	Guinea	NE	Niger
BB	Barbados	GR	Greece	NL	Netherlands
BE	Belgium	HU	Hungary	NO	Norway
BF	Burkina Faso	IE	Ireland	NZ	New Zealand
BG	Bulgaria	IT	Italy	PL	Poland
BJ	Benin	JP	Japan	PT	Portugal
BR	Brazil	KE	Kenya	RO	Romania
BY	Belarus	KG	Kyrgystan	RU	Russian Federation
CA	Canada	KP	Democratic People's Republic of Korea	SD	Sudan
CF	Central African Republic	KR	Republic of Korea	SE	Sweden
CG	Congo	KZ	Kazakhstan	SG	Singapore
CH	Switzerland	LI	Liechtenstein	SI	Slovenia
CI	Côte d'Ivoire	LK	Sri Lanka	SK	Slovakia
CM	Cameroon	LR	Liberia	SN	Senegal
CN	China	LT	Lithuania	SZ	Swaziland
CS	Czechoslovakia	LU	Luxembourg	TD	Chad
CZ	Czech Republic	LV	Latvia	TG	Togo
DE	Germany	MC	Monaco	TJ	Tajikistan
DK	Denmark	MD	Republic of Moldova	TT	Trinidad and Tobago
EE	Estonia	MG	Madagascar	UA	Ukraine
ES	Spain	ML	Mali	UG	Uganda
FI	Finland	MN	Mongolia	US	United States of America
FR	France	MR	Mauritania	UZ	Uzbekistan
GA	Gabon			VN	Viet Nam

ENDOPROSTHESIS FOR THE TREATMENT OF BLOOD-VESSEL
BIFURCATION STENOSIS AND PURPOSE-BUILT INSTALLATION DEVICE

This invention relates to the field of endoprostheses for the treatment of blood-vessel bifurcation stenosis.

This invention also relates to a purpose-built installation device.

It has already been suggested that stenosis found in coronary arteries be treated
5 using endoprostheses formed from tubular structures perforated with a grid pattern of slits
and consequently expandable following placement at the site of stenosis. In most cases
these endoprostheses are expanded by inflating a balloon which is placed inside them and
subsequently withdrawn.

Generally speaking, endoprostheses of this type may be said to have already given
10 good service.

They are not, however, fully satisfactory.

The applicant has, in particular, observed that standard endoprostheses are not
fully satisfactory when, as is frequently the case, there is stenosis at a blood-vessel
bifurcation. In such cases, treatment using standard endoprostheses requires two separate
15 endoprostheses. One of these is placed in each of the two vessels branching off from the
bifurcation and their positioning in relation to each other is adjusted as finely as possible to
ensure optimal cover of the bifurcation area.

A primary goal of this invention is to develop existing endoprostheses in order to
facilitate and improve treatment of blood-vessel bifurcation stenosis.

20 This goal is attained by this invention through the use of an endoprosthesis
comprising three tubular sections and two connectors, namely:

- a proximal section;
- a first distal section aligned at least approximately with the proximal section and intended
for insertion into one of the vessels branching off from the bifurcation, this distal section
25 being attached to the proximal section by means of a laterally positioned connector; and
- a second distal section placed at the side of the first distal section and intended for
insertion into the second vessel branching off from the bifurcation, the two distal sections
having their proximal ends joined by the second connector.

In accordance with another advantageous feature of this invention, the distal end of the proximal section is chamfered and the proximal end of the second distal section is tapered at the other side of the second connector and fits into the chamfer in the proximal section.

5 The above-mentioned chamfered shapes and tapered ends may have a variety of embodiments. They may, in particular, be delimited by flat or curved surfaces.

Another important goal of this invention is to perfect the method of installing the above-mentioned endoprostheses.

10 According to this invention this goal is attained by using a double-balloon system, as follows:

- a first balloon of suitable length for insertion into two approximately aligned sections of the blood vessel to be treated: the main stem and the first branching blood vessel, on either side of the bifurcation area respectively; and

15 - a second balloon of suitable nature for insertion into the second blood vessel branching off from the bifurcation.

In accordance with another advantageous feature of the invention, the first balloon incorporates a lateral recess to be positioned facing the bifurcation area with a view to housing the proximal end of the second balloon.

20 In accordance with another advantageous feature of this invention, the distal portion of the first balloon located downstream of the recess is of smaller diameter than the proximal portion of the balloon located upstream of the recess.

Further features, goals and advantages of the invention will be apparent on reading the following detailed description as illustrated in the corresponding accompanying drawings, which are given as non-exhaustive examples and in which:

25 - figure 1 is a schematic side view of an endoprosthesis in accordance with this invention;
- figure 2 is a perspective view of the same endoprosthesis;
- figure 3 is another perspective view of the same endoprosthesis after relative inclination of the distal sections;

- figure 4 is a view of the same endoprosthesis following expansion of the various tubular sections from which it is formed;
- figure 5 is a schematic illustration of an endoprosthesis combined with the device for installing it, prior to implantation in a stenosis-affected bifurcation area;
- 5 - figure 6 is a view of the same instrument following implantation in a bifurcation and expansion of the proximal section and one distal section;
- figure 7 is a view of the same endoprosthesis after expansion of the three sections from which it is formed;
- figure 8 is a schematic side view of the first balloon in accordance with the invention;
- 10 - figure 9 is a side view of the second balloon in accordance with the invention;
- figure 10 is an overall view of an installation instrument comprising two balloons working together in accordance with the invention;
- figure 11 is another side view of the balloon-based installation system in accordance with the invention;
- 15 - figure 12 is an overall view of the same balloon-based installation tool combined with means of inflation; and
- figure 13 is a schematic cross-sectional view of a feeder tube for the double-balloon system.

The first item described will be the structure of endoprosthesis 100 in accordance
20 with the invention and illustrated in figures 1 to 7. As was mentioned earlier, endoprosthesis 100 comprises three tubular sections (110, 120 and 140) and two connectors (130 and 150).

The first section (110) is a proximal section having as its centre axis 111. It is
25 intended for insertion into main stem T1 of blood vessel V for treatment, upstream of the bifurcation.

The first distal section (120) having as its section axis 121 is at least approximately aligned with proximal section 110 prior to use. This first distal section 120 is intended for insertion into blood vessel T2 branching off from the bifurcation as is seen in particular in figures 6 and 7.

The first distal section (120) is attached to proximal section 110 by the first lateral connector (130).

The second distal section (140), having as its axis 141, is positioned at the side of the first distal section (120), and has the advantage of being parallel to the latter, prior to use. The second distal section (140) is intended to be inserted into blood vessel T3 branching off from the bifurcation, as is seen in particular in figures 6 and 7.

The two distal sections 120 and 140 have their proximal ends (122 and 142) linked by the second connector (150).

Each of section 110, 120 and 140 is preferably formed from a tubular component perforated with a grid pattern of slits such that the structure of sections 110, 120 and 140 allows them to expand along their circumferences.

In practice, section 110, 120 and 140 of endoprosthesis 100 can be manufactured from extruded cylindrical parts made of a bendable metal alloy such as 316L stainless steel. The external diameter of section of 110, 120 and 140 typically ranges from 1 to 1.2 mm prior to use.

There can be a range of variants of the grid pattern cut into sections 110, 120 and 140. The opening may take the form of a hexagon or diamond, as shown in the accompanying figures, taking on the appearance of grating following expansion against the inner surface of the coronary artery by means of a cylindrical balloon placed inside.

As the basic structure of expandable tubular components 110, 120 and 140 and the material from which they are made are familiar to those skilled in the art, these particulars will not be described in detail in what follows.

The three sections 110, 120 and 140 are preferably of equal diameter prior to expansion, i.e. prior to use.

The respective axes (111, 121 and 141) of sections 110, 120 and 140 are coplanar and determine a plane of symmetry for the endoprosthesis. This plane of symmetry is parallel to the plane of figure 1.

The first connector (130) has as its centre the above-mentioned plane of symmetry determined by axes 111, 121 and 141.

Connector 130 links an area of distal end 113 of proximal section 110 with an area of proximal end 122 of the first distal section (120). Yet more specifically, articulation 130 preferably consists of a strip of constant width parallel to axes 111 and 121. Articulation

130 is diametrically opposite the second distal section (140) with respect to axes 111 and 121.

Distal end 113 of proximal section 110 is provided with chamfer 115 in its peripheral area situated opposite connector 130. Chamfer 115 can be determined by a plane that is inclined with respect to axis 111, perpendicular to the above-mentioned plane of symmetry or, again, be curved, for instance, concave with respect to distal section 120. Angular opening of the wall of proximal section 110 thus increases starting from connector 130 and turns through 360°, i.e. a complete tubular form around axis 111.

This cant (115) forms a type of arch located on the side opposite connector 130 embodying in the cylindrical structure forming proximal section 110 the shape of the ostium of the blood vessel branching off from the coronary bifurcation onto which it will be applied.

Furthermore, proximal end 142 of the second distal section (140) is tapered at the other side of the second connector (150). It stretches forwards in its peripheral area opposite the second connector (150). This tapered portion (144) may also be determined by a plane that is inclined with reference to axis 121, perpendicular to the plane of symmetry or, again, by a curved surface.

After expansion, as is illustrated in figure 4 for example, when the endoprosthesis is installed at the bifurcation of the two coronary arteries, distal portion 113 with the corner cut off (115) of proximal section 110 is fixed together harmoniously with the proximal (144) of section 140 of the endoprosthesis and ensures maximum coverage of the dilated coronary bifurcation area.

In this way, once in place, the whole of the grid of the bifurcated endoprosthesis (100) covers the proximal and distal portions of the two coronary branching arteries and the whole of the dilated bifurcation area.

The first connector (130) preferably forms an integral part, i.e. it is not joined onto sections 110 and 120.

In other words, the first connector (130) and sections 110 and 120 are preferably manufactured from a single part in which connector 130 is formed via machining.

The second connector (150) is also centred with reference to the plane of symmetry determined by axes 111, 121 and 141.

5 However, whereas the first connector (130) extends in a direction that is parallel to axes 111 and 121, the second connector (150) extends in a direction that is transversal to the above-mentioned axes 111, 121 and 141 and links adjacent areas of proximal ends 122 and 142 of distal sections 120 and 140.

10 The second connector (150) is preferably joined to proximal ends 122 and 142 of sections 120 and 140 by means of, for example, laser welding.

15 This aspect of the invention can, naturally, be embodied by a range of variants in that the second connector (150) could form an integral part with distal sections 120 and 140 formed from a single part, while connector 130 would be joined by means of, for example, laser welding to the distal end of proximal section 110 and the proximal end of distal section 120.

 In accordance with a particular embodiment, given as a non-exhaustive example, bifurcated endoprosthesis 100 for the coronary artery conforming with this invention has the following dimensions:

- 20 - the total length of endoprosthesis 100 measured from proximal end 112 of proximal section 110 to distal end 123 of distal section 120 is of the order of 15 mm;
- the diameter of sections 110, 120 and 140 is of the order of 1 mm prior to expansion;
- the length of proximal section 110 is of the order of 7.5 mm prior to expansion;
- the length of distal section 120 is of the order of 7 mm prior to expansion;
- the length of distal section 140 is of the order of 9 mm prior to expansion;
- 25 - the length of connector 130 is of the order of 0.5 to 1 mm; and
- the diameter of distal sections 120 and 140 in their expanded state is of the order of 3 mm while the diameter of proximal section 110 is of the order of 3.5 mm.

A description now follows of the structure of the instrument fitted with a double asymmetric balloon conforming with this invention which is shown in figure 8 et seqq.

Essentially, this instrument (200) comprises two balloons (210 and 230). The first balloon (210) is of a length consonant with its purpose of being positioned inside two approximately aligned sections (T1 and T2) of vessel V for treatment: main stem T1 and a branching vessel T2, situated one on either side of the bifurcation area respectively, or, again, of being positioned inside proximal section 110 and distal section 120 of endoprosthesis 100.

As regards the second balloon (230), this is consonant with its purpose of being positioned in the second blood vessel (T3) branching off from the bifurcation. Balloon 230 is preferably shorter than balloon 210. As shown in the accompanying figures, the two balloons 210 and 230 are preferably formed from generally cylindrical elongated tubular items centred upon axes 212 and 232 and having their ends (214 and 216; 234 and 236) more or less rounded.

The main balloon (210) preferably incorporates a recess in its side (218) suitable for housing proximal end 236 of the second balloon (230) as shown in figure 10.

Furthermore, proximal portion 219 of balloon 210 located upstream of recess 218 is preferably of greater diameter than distal portion 217 of the same balloon located downstream of recess 218.

Each of the balloons 210 and 230 is preferably fitted with a radio-opaque tracer (220 and 240). Tracers 220 and 240 are preferably located at the centres of their respective balloons 210 and 230. Tracers 220 and 240 may, for example, be carried by hollow internal tubes 221 and 241 housing metallic guides 222 and 242 having as their centres axes 212 and 232 and passing axially through balloons 210 and 230 respectively. Tracers 220 and 240 are preferably located halfway along balloons 210 and 230.

Balloons 210 and 230 are prolonged at their proximal ends 216 and 236 by, respectively, tubes 224 and 244, of narrow cross-section, designed to feed and, consequently, dilate balloons 210 and 230.

Tubes 224 and 244 preferably house guides 222 and 242. More specifically, each of the two tubes 224 and 244 preferably has two lumina: the first lumen houses a guide (222 and 242) and opens into the associated internal tube (221 and 241) and the second lumen, used for inflating the balloons, opens into the inside surface of the balloons (210 and 230).

The above-mentioned internal tubes 221 and 241 and first lumina are not connected with the internal surface of balloons 210 and 230.

Furthermore, internal tube 221 inside the first balloon (210) is preferably off-centre with respect to axis 212 in order to allow for the presence of recess 218 as is seen in figure 8.

Inflation tubes 224 and 244 are joined at a certain distance from balloons 210 and 230 and are preferably attached by their proximal ends to a stiffer but both flexible and hollow common component 250 with two internal lumina (253 and 254) linked with inflation tubes 224 and 244 respectively or, more specifically, the said above-mentioned second inflation lumina of these tubes. Component 250 is, moreover, itself fitted at its proximal end (252) with two connection systems with fluid sources linked with lumina 253 and 254 respectively, allowing balloons 210 and 230 to be expanded. These connection systems may, for example, be of the type known as "Luer-Lock". A variant on this is that the above-mentioned connection systems may be adapted to take a standard inflation syringe tip.

It is important that the above-mentioned connection systems communicating with, respectively, lumina 253 and 254 formed inside component 250 should allow the two balloons (210 and 230) to be expanded separately.

Balloons 210 and 230 are preferably covered prior to use with a removable sheath (260). Sheath 260 covers the full length of endoprosthesis 100, i.e. preferably a minimum of 15 to 20 mm. Sheath 260 is preferably linked at its proximal end to a wire (262) facilitating removal of sheath 260 by pulling the said wire 262. Wire 262 preferably passes through common tube 250.

Sheath 260 can, however, be omitted when the balloon system alone is used, i.e. without endoprosthesis 100.

The "Luer-Lock" connection systems shown in figure 12 are referred to as 252. Furthermore, reference n° 270 in figure 12 labels a schematic inflation system comprising a pressure gauge (272) adapted for linkage to one of the connection system (252) with a view to dilating one of balloons 210 and 230.

5 Reference n° 253 and n° 254 in figure 13 label the two feeder lumina linking connection systems 252 with tubes 224 and 244 respectively. In addition, reference n° 255 in figure 13 labels the lumen housing the wire (262) facilitating the removal of sheath 260.

In accordance with a particular embodiment that is, naturally, non-exhaustive, asymmetric double balloon 200 for coronary angioplasty conforming with this invention has
10 the following dimensions:

- guide-wires 222 and 242 are 0.036 cm (0.014 inch) guide-wires;
- the longer balloon (210) is 20 to 25 mm in length, depending on the model;
- its proximal portion (219) is approximately 3.5 mm in diameter and approximately 6.5 mm in length after inflation;
- 15 - recess 218 is approximately 3.5 mm in length;
- distal portion 217 is approximately 10 mm in length and approximately 3 mm in diameter after inflation;
- the second balloon (230) is approximately 13 mm in length and approximately 3 mm in diameter after inflation;
- 20 - tubes 224 and 244 are joined approximately 10 mm from the proximal end (216) of balloon 210;
- the lengths of the two tubes 224 and 244 between the point at which they join and common component 250 may range from approximately 20 to 30 cm;
- the overall length, including balloons 210 and 230 and their feeder tubes is preferably
25 approximately 135 mm;
- the length of common tube 250 ranges from approximately 110 to 115 mm; and
- the outer diameter of the device with balloons 210 and 230 completely deflated preferably does not exceed 2 mm, so that the whole unit including the two balloons 210 and 230 and feeder tubes 224 and 244 may pass through an 8F guiding-catheter with an internal diameter
30 of 2.6 mm. The case is the same in the version of the balloon device fitted with endoprosthesis 100 and sheath 260.

The portion of tubes 224 and 244 that is located downstream of guide-wire exits 223 and 243 is preferably made of plastic.

The portion of tubes 224 and 244, including common portion 250, that is located upstream of exits 223 and 243 may be made of plastic or metal.

5 This tube (224, 244 and 250) must be as hydrophilic as possible in order to be able to slide inside its carrier catheter or guiding catheter.

It should be noted that balloons 210 and 230 are mutually independent. They are indirectly linked only in the area of common tube 250.

10 Guide-wires 222 and 242 preferably emerge from tubes 224 and 244 on the nearer side of common section 250, as is seen in figure 11. Exit points 223 and 243 of guide-wires 222 and 242 are preferably at a slight distance from each other and are marked differently for identification.

A description now follows of the process for installing endoprosthesis 100 using asymmetric double balloon 200 in accordance with this invention.

15 Prior to use, the unit combining the two balloons (210 and 230) and bifurcated endoprosthesis 100 is protected by covering sheath 260. This unit fitted with sheath 260 is firstly manoeuvred close to the bifurcation stenosis area. Its position is monitored using radio-opaque tracers 220 and 240.

20 Once the balloon (210 and 230) / endoprosthesis (100) unit has arrived at the bifurcation, above-mentioned sheath 260 can be withdrawn by pulling wire 262.

25 After protective sheath 260 has been withdrawn, guide-wires 222 and 242, which have been inserted into blood vessels T2 and T3 branching off from the coronary bifurcation, are manipulated. Balloons 210 and 230, located respectively inside proximal section 110 and distal section 120 in the case of balloon 210 and inside distal section 140 in the case of balloon 230, are still in a deflated state at this stage. Once it has been ascertained that sections 120 and 140 of the endoprosthesis have been correctly positioned at the bifurcation using radio-opaque tracers 220 and 240 contained in the balloons, the balloons can be inflated.

To this end, the first asymmetric balloon (210), i.e. the longer balloon which facilitates expansion of the main structure (110) of the endoprosthesis and of section 120, aligned with it, is preferably inflated first. Typically balloon 210 thus increases proximal portion 110 of the endoprosthesis to 3.5 mm and distal portion 120 to 3 mm.

5 This is followed by inflation of the shorter balloon (230), whose proximal end 236 fills recess 218 in balloon 210. Inflating balloon 230 thus dilates section 140 of the endoprosthesis. The proximal tapered shape of section 140 fits into the truncated form or form with its corner missing (115) of the main or proximal structure (110) of the endoprosthesis opposite and thus completely covers the ostial portion or bifurcation area of
10 the coronary branching artery dilated and stented in the course of this procedure.

Once the bifurcated endoprosthesis has been deployed and installed, as shown in figure 7, balloons 210 and 230 can be deflated and withdrawn.

Balloons 210 and 230 can be deflated and withdrawn simultaneously or separately, as appropriate, after being detached from the unit.

15 It is advantageous for balloons 210 and 230 to be made from an elastic material manufactured from a plastic polymer.

This invention is not, of course, restricted to the particular embodiment described above but stems to any and all variants consistent with the idea embodied.

In particular, the invention is not limited to dilation of a bifurcation area in a
20 coronary artery showing a lesion at the bifurcation using endoprosthesis 100 and employing dilation of balloons 210 and 230. The invention may also apply to other blood-vessel bifurcations, arteries or veins, such as, for example and non-limitatively, renal arteries, supra-aortic trunci, arteries leading from the aorta to the abdomen or to the low limbs, etc.

A particular variant of the invention is one in which balloon 210 may incorporate
25 two portions (217 and 219), distal and proximal respectively, located on either side of recess 218 and having the same diameter.

During deployment, balloon 230 may be inflated before balloon 210.

Furthermore, installation and dilation of bifurcated endoprosthesis 100 may be envisaged using systems other than the double balloon structure illustrated in figures 8 et seqq., and, in a corollary manner, the double-balloon system (200) may be used as a double
5 balloon for coronary bifurcation lesion angioplasty not involving use of an endoprosthesis.

According to a variant of the invention, the first balloon 210 is symmetric about its longitudinal axis 212. In other words the recess 218 is annular and symmetric of revolution about this axis 212.

CLAIMS

1. An endoprosthesis for the treatment of blood-vessel bifurcation stenosis characterised by its comprising three tubular sections (110, 120 and 140) and two
5 connectors (130 and 150), namely:

- a proximal section (110);

- a distal section (120) aligned at least approximately with the proximal section (110) and intended for insertion into one of the blood vessels (T2) branching off from the bifurcation, the distal section (110) being linked to the proximal section (110) by a lateral connector
10 (130); and

- a second distal section (140) located at the side of the first distal section (120) and intended for insertion into the second blood vessel (T3) branching off from the bifurcation, both distal sections (120 and 140) having their proximal ends linked by a second connector
(150).

15 2. An endoprosthesis, as claimed in Claim 1, characterised by the fact that the distal end (113) of the proximal section (110) is chamfered and the proximal end (142) of the second distal section (140) is tapered at the other side of the second connector (150) and able to fit into the chamfered form (115) of the proximal section (110).

20 3. An endoprosthesis, as claimed in Claim 2, characterised by the fact that the chamfer form (115) and/or the tapered section (144) is delimited by a flat surface.

4. An endoprosthesis, as claimed in Claim 2, characterised by the fact that the chamfer form (115) and/or the tapered section (144) is delimited by a curved surface.

5. An endoprosthesis, as claimed in one of Claims 1 to 4, characterised by the fact that the three tubular sections (110, 120 and 140) are of identical diameter prior to use.

25 6. An endoprosthesis, as claimed in one of Claims 1 to 5, characterised by the fact that the first connector (130) has at its centre a plane of symmetry determined by the axes (111, 121 and 141) of the tubular sections and extends in a direction that is approximately parallel to these axes.

7. An endoprosthesis, as claimed in one of Claims 1 to 6, characterised by the fact that the first connector (130) is formed from the same part as the proximal section (110) and the first distal section (120).

5 8. An endoprosthesis, as claimed in one of Claims 1 to 7, characterised by the fact that the second connector (150) has as its centre a plane of symmetry determined by the axes (111, 121 and 141) of the tubular sections and extends in a direction approximately perpendicular to these axes.

9. An endoprosthesis, as claimed in one of Claims 1 to 8, characterised by the fact that the second connector (150) is attached to the two distal sections (120 and 140).

10 10. An endoprosthesis, as claimed in one of Claims 1 to 9, characterised by the fact that each of the sections (110, 120 and 140) is formed from a tubular component with a grid pattern of slits susceptible of expansion circumferentially.

11. A balloon system for dilating blood vessels characterised by the fact that it comprises a double balloon, namely:

15 - one balloon (210) of suitable length for being positioned in two approximately aligned sections (T1 and T2) for the vessel for treatment: a main stem (T1) and a branching vessel (V2), located one on each side of the bifurcation area; and
- a second balloon (230) suitable for positioning in the second blood vessel (T3) branching off from the bifurcation.

20 12. A system, as claimed in Claim 11, characterised by the fact that the first balloon (210) incorporates a lateral recess (218) intended for positioning opposite the bifurcation area in order to house the proximal end (236) of the second balloon (320).

25 13. A system, as claimed in one of Claims 11 and 12, characterised by the fact that the proximal portion (219) of the first balloon (210) located upstream of the recess (218) is of greater diameter than the distal portion (217) of the same balloon located downstream of the recess.

14. A system, as claimed in one of Claims 11 to 13, characterised by the fact that each balloon has a radio-opaque tracer (220 and 240).

30 15. A system, as claimed in one of Claims 11 to 14, characterised by the fact that the two balloons (210 and 230) are placed in a removable sheath (260) combined with a manoeuvring wire (262).

16. A system, as claimed in one of Claims 11 to 15, characterised by the fact that each balloon (210 and 230) has an inflation tube (224 and 244) protruding from its proximal end.

17. A system, as claimed in Claim 16, characterised by the fact that the two
5 inflation tubes (224 and 244) are joined to a common component (250) comprising two lumina at a certain distance from the proximal end of the balloons (210 and 230).

18. A system, as claimed in one of Claims 11 to 17, characterised by the fact that each balloon (210 and 230) is combined with a guide (121 and 141).

19. A system, as claimed in one of Claims 11 to 18, characterised by the fact that
10 the second balloon (230) is shorter than the first balloon (210).

20. The use of the system consistent with one of Claims 11 to 19 for dilation of an endoprosthesis consonant with one of Claims 1 to 10.

21. The use of the system consistent with one of Claims 11 to 19 for bifurcation lesion angioplasty.

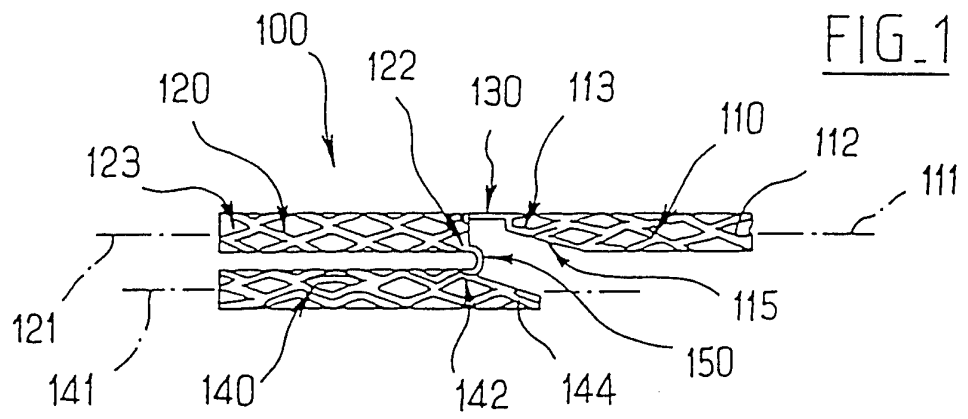


FIG. 1

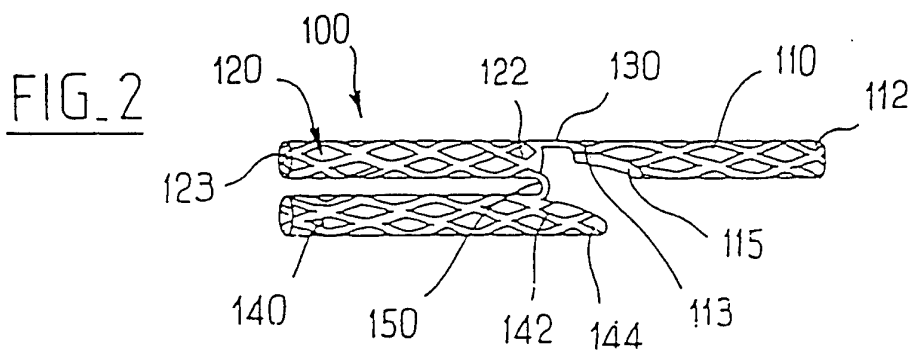


FIG. 2

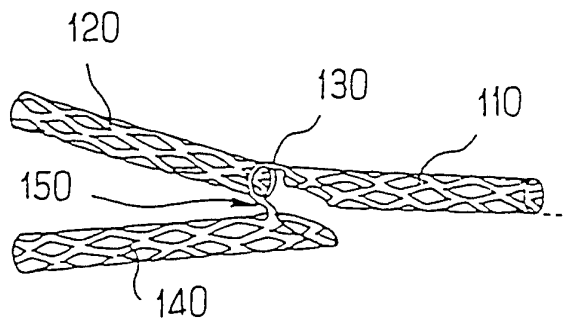


FIG. 3

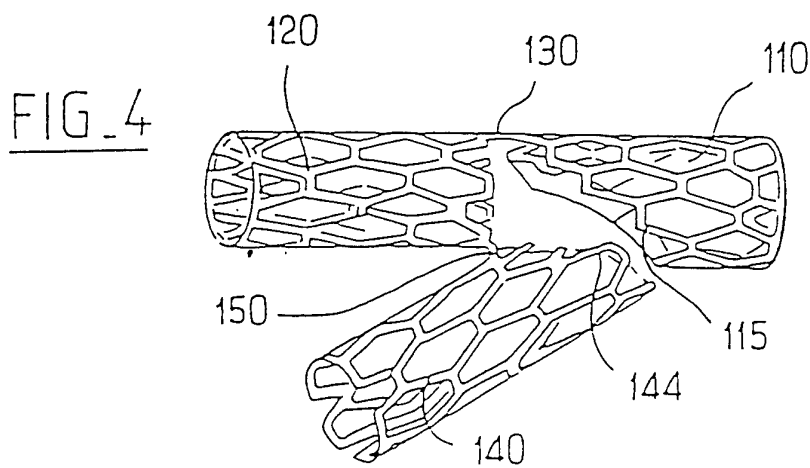


FIG. 4

FIG. 5

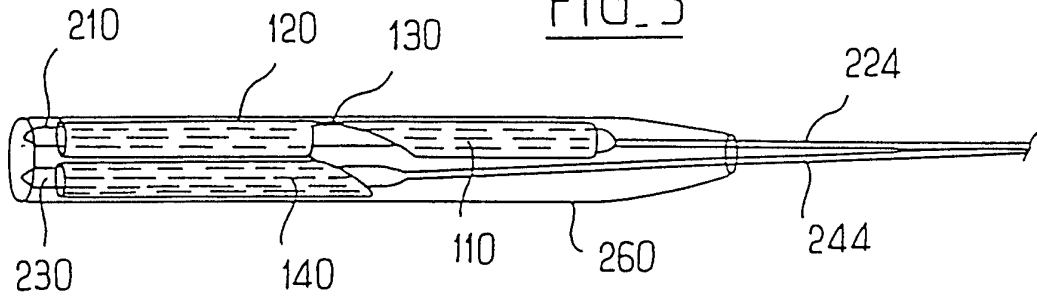


FIG. 6

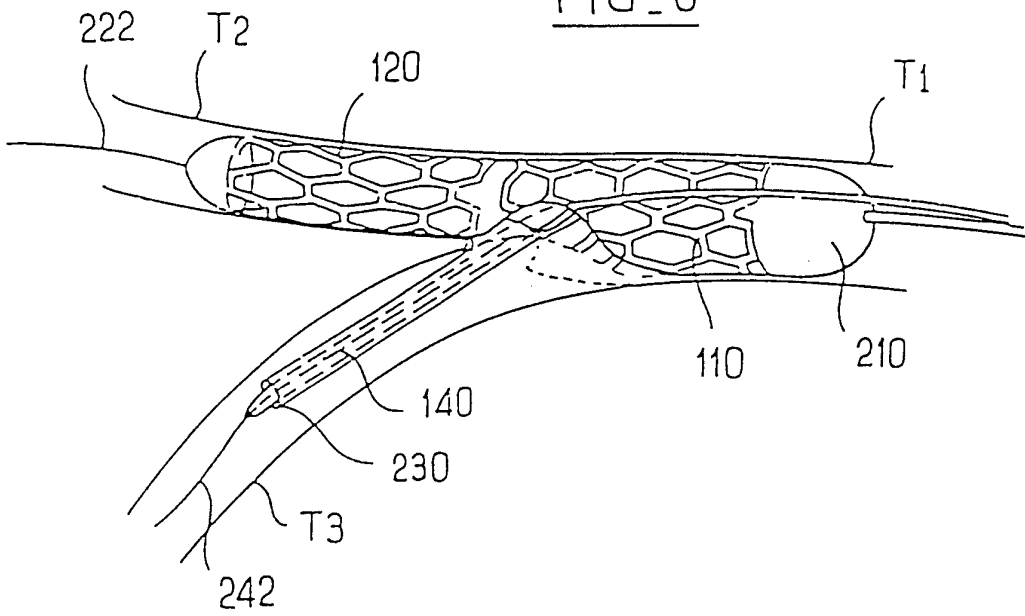


FIG. 7

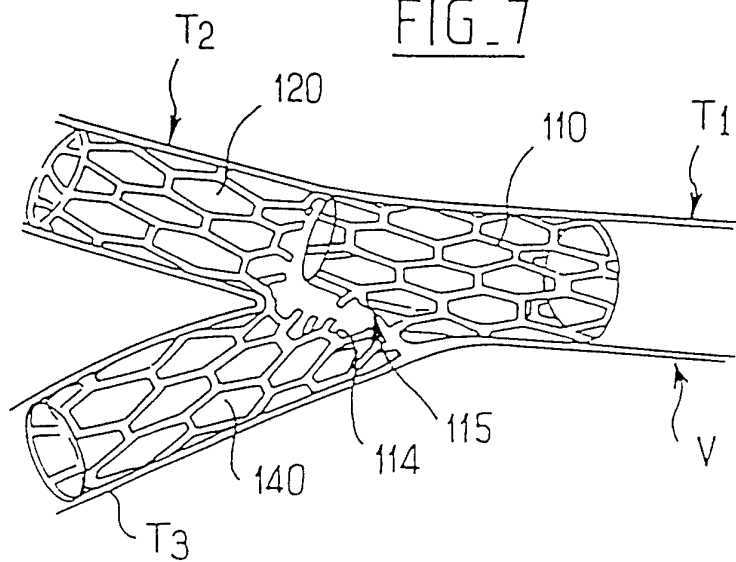


FIG. 8

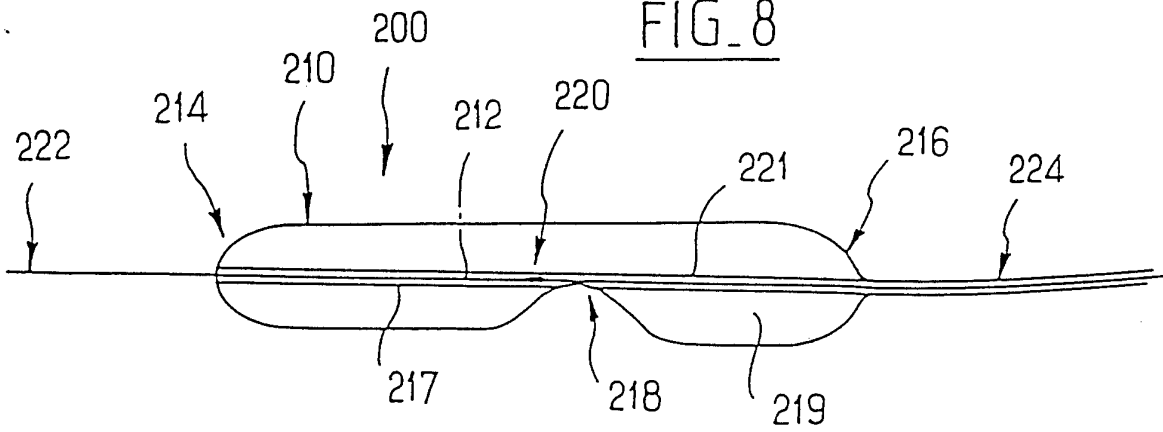


FIG. 9

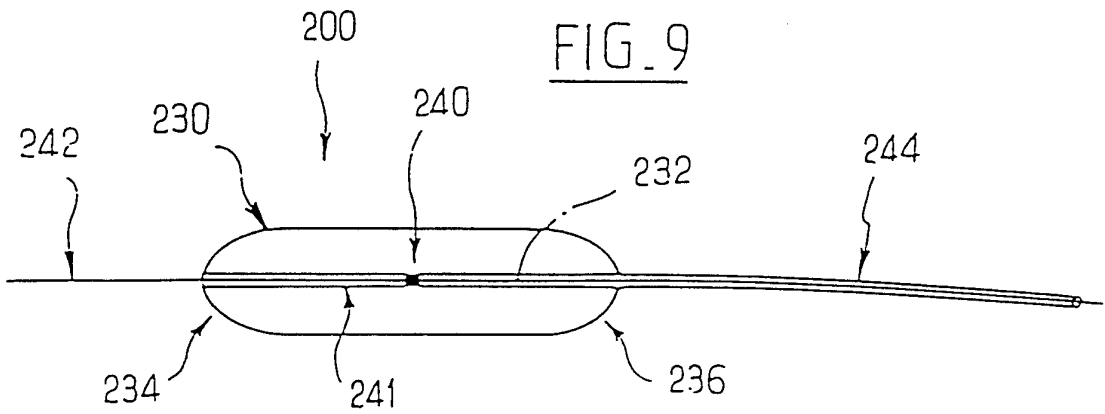
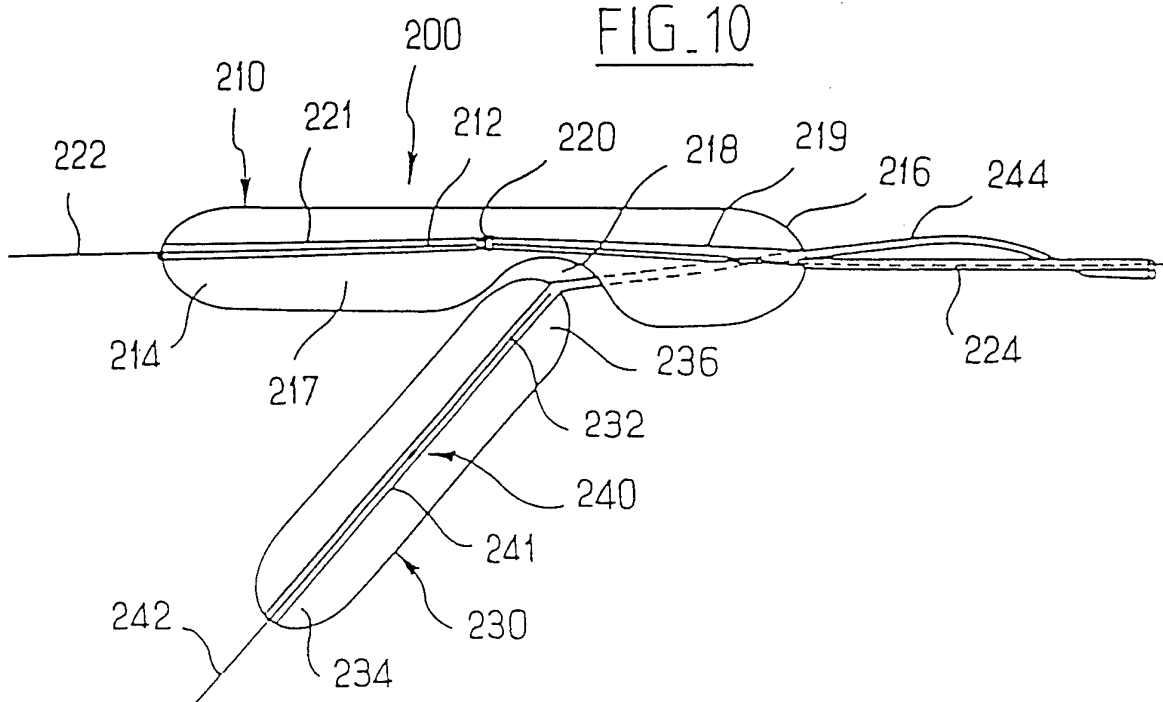
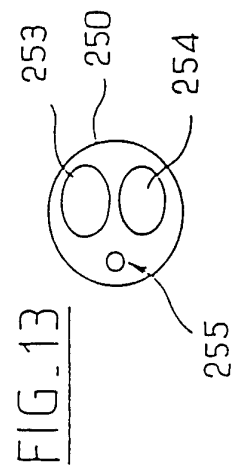
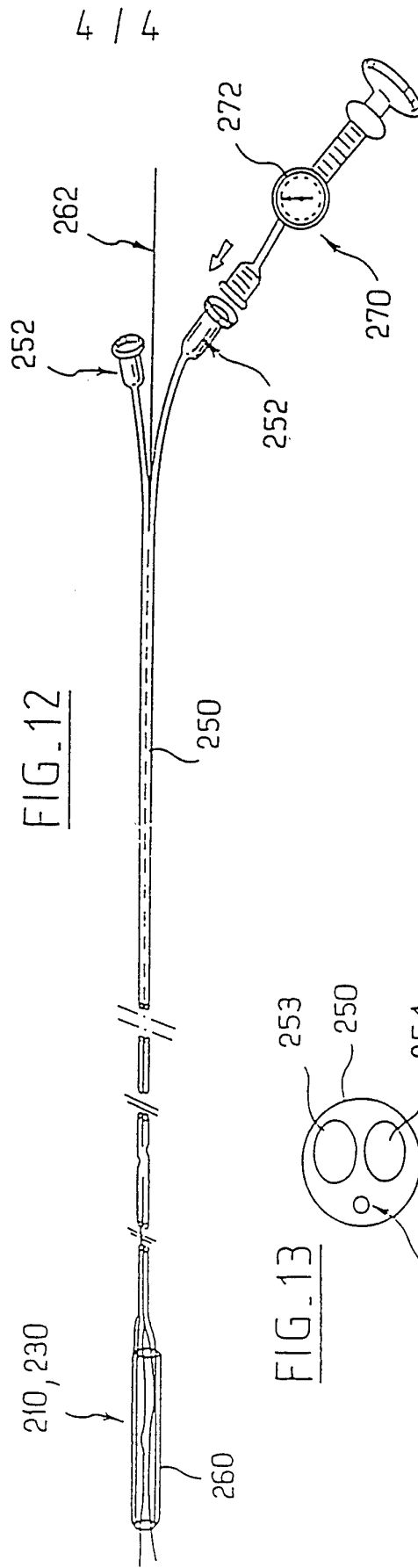
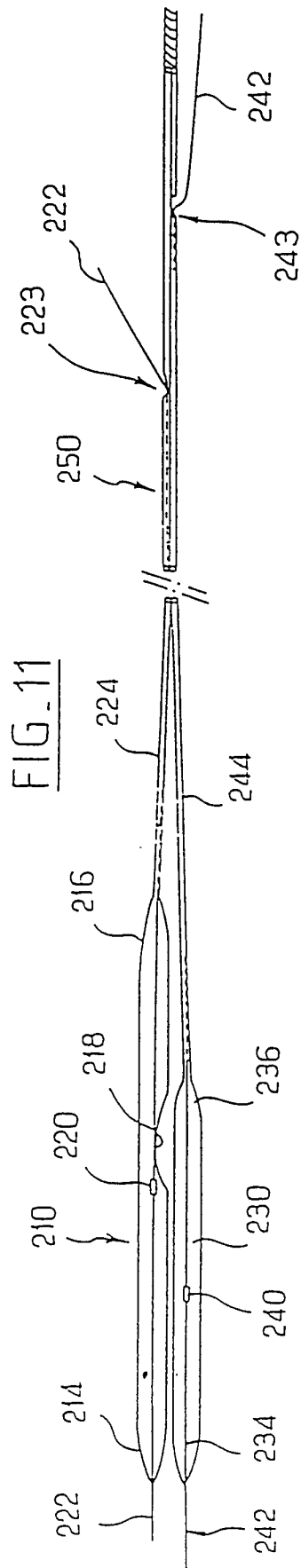


FIG. 10





INTERNATIONAL SEARCH REPORT

International Application No
PCT/IB 96/00403

A. CLASSIFICATION OF SUBJECT MATTER
IPC 6 A61F/06

According to International Patent Classification (IPC) or to both national classification and IPC

B. FIELDS SEARCHED

Minimum documentation searched (classification system followed by classification symbols)
IPC 6 A61F

Documentation searched other than minimum documentation to the extent that such documents are included in the fields searched

Electronic data base consulted during the international search (name of data base and, where practical, search terms used)

C. DOCUMENTS CONSIDERED TO BE RELEVANT

Category *	Citation of document, with indication, where appropriate, of the relevant passages	Relevant to claim No.
X	US,A,4 994 071 (CORDIS CORPORATION) 19 February 1991	1,6,7
A	see column 3, line 38 - column 5, line 25; figures	11,20

A	EP,A,0 646 365 (PARODI) 5 April 1995 see column 19, line 12 - column 20, line 41; figure 20	11,20

A	FR,A,2 678 508 (CELSA LG) 8 January 1993	

A	US,A,5 195 984 (SCHATZ) 23 March 1993	

A	DE,U,90 14 845 (SCHNEIDER) 10 January 1991	

A	WO,A,95 08965 (BOSTON SCIENTIFIC CORPORATION) 6 April 1995	

	-/--	

Further documents are listed in the continuation of box C.

Patent family members are listed in annex.

* Special categories of cited documents :

- *A* document defining the general state of the art which is not considered to be of particular relevance
- *E* earlier document but published on or after the international filing date
- *L* document which may throw doubts on priority claim(s) or which is cited to establish the publication date of another citation or other special reason (as specified)
- *O* document referring to an oral disclosure, use, exhibition or other means
- *P* document published prior to the international filing date but later than the priority date claimed

- *T* later document published after the international filing date or priority date and not in conflict with the application but cited to understand the principle or theory underlying the invention
- *X* document of particular relevance; the claimed invention cannot be considered novel or cannot be considered to involve an inventive step when the document is taken alone
- *Y* document of particular relevance; the claimed invention cannot be considered to involve an inventive step when the document is combined with one or more other such documents, such combination being obvious to a person skilled in the art.
- *&* document member of the same patent family

Date of the actual completion of the international search

29 July 1996

Date of mailing of the international search report

02.08.96

Name and mailing address of the ISA
European Patent Office, P.B. 5818 Patentlaan 2
NL - 2280 HV Rijswijk
Tel. (+ 31-70) 340-2040, Tx. 31 651 epo nl,
Fax (+ 31-70) 340-3016

Authorized officer

Steenbakker, J

INTERNATIONAL SEARCH REPORT

Inte: nal Application No

PCT/IB 96/00403

C.(Continuation) DOCUMENTS CONSIDERED TO BE RELEVANT

Category *	Citation of document, with indication, where appropriate, of the relevant passages	Relevant to claim No.
A	EP,A,0 551 179 (PALMAZ) 14 July 1993 -----	

INTERNATIONAL SEARCH REPORT

Information on patent family members

International Application No

PCT/IB 96/00403

Patent document cited in search report	Publication date	Patent family member(s)	Publication date
US-A-4994071	19-02-91	NONE	

EP-A-646365	05-04-95	AU-B- 7432894	13-04-95
		BR-A- 9403662	27-06-95
		CA-A- 2132815	02-04-95
		JP-A- 8047503	20-02-96
		ZA-A- 9407492	15-05-95

FR-A-2678508	08-01-93	NONE	

US-A-5195984	23-03-93	AU-B- 623438	14-05-92
		AU-B- 4248589	12-04-90
		CA-A- 1322628	05-10-93
		EP-A- 0364787	25-04-90
		JP-A- 2174859	06-07-90

DE-U-9014845	10-01-91	AT-T- 114233	15-12-94
		AU-B- 640422	26-08-93
		AU-B- 6574190	09-05-91
		CA-A,C 2028897	02-05-91
		DE-D- 59007761	05-01-95
		EP-A- 0428479	22-05-91
		ES-T- 2063325	01-01-95
		IE-B- 61207	19-10-94
		JP-A- 3155869	03-07-91
		US-A- 5147385	15-09-92

WO-A-9508965	06-04-95	CA-A- 2173124	06-04-95
		EP-A- 0722303	24-07-96

EP-A-551179	14-07-93	US-A- 5316023	31-05-94
		AU-B- 658253	06-04-95
		AU-B- 3108793	29-07-93
		BR-A- 9300062	13-07-93
		CA-A- 2085918	09-07-93
		EP-A- 0667132	16-08-95
		JP-A- 5344989	27-12-93
		ZA-A- 9210122	03-08-93
