



US00D833364S

(12) **United States Design Patent**  
**Schmiderer et al.**

(10) **Patent No.:** **US D833,364 S**

(45) **Date of Patent:** **\*\* Nov. 13, 2018**

(54) **AIRCRAFT**  
(71) Applicant: **BARZAN HOLDINGS QSTP LLC**,  
Doha (QA)

3,618,881 A 11/1971 Fellers et al.  
4,160,534 A 7/1979 White  
D274,142 S 6/1984 McNab et al.  
(Continued)

(72) Inventors: **Alfred Schmiderer**, Berlin (DE);  
**Reiner Stemme**, Berlin (DE)

**OTHER PUBLICATIONS**

(73) Assignee: **Barzan Holdings QSTP LLC**, Doha  
(QA)

“2nd Examination Report issued in EUIPO Design Application No.  
003560630”, dated Aug. 17, 2017, 1 page.  
(Continued)

(\*\*) Term: **15 Years**

*Primary Examiner* — Brandon M Rosati  
*Assistant Examiner* — Marissa J Cash

(21) Appl. No.: **29/635,687**

(74) *Attorney, Agent, or Firm* — Johnson, Marcou &  
Isaacs, LLC

(22) Filed: **Feb. 1, 2018**

(57) **CLAIM**

We claim the ornamental design for an aircraft, as shown and  
described.

**Related U.S. Application Data**

(63) Continuation of application No. 29/569,827, filed on  
Jun. 30, 2016, now Pat. No. Des. 809,448.

**DESCRIPTION**

(51) **LOC (11) Cl.** ..... **12-07**

(52) **U.S. Cl.** ..... **D12/344**  
USPC ..... **D12/344**

(58) **Field of Classification Search**  
USPC ..... D12/16.1, 319–324, 326–345; D21/436,  
D21/441, 443, 444, 446, 447, 448, 449,  
D21/450, 451, 452, 453  
CPC ..... B64C 1/062; B64C 39/024; B64C 27/08;  
B64C 29/00; B64C 39/00; B64C 23/00  
See application file for complete search history.

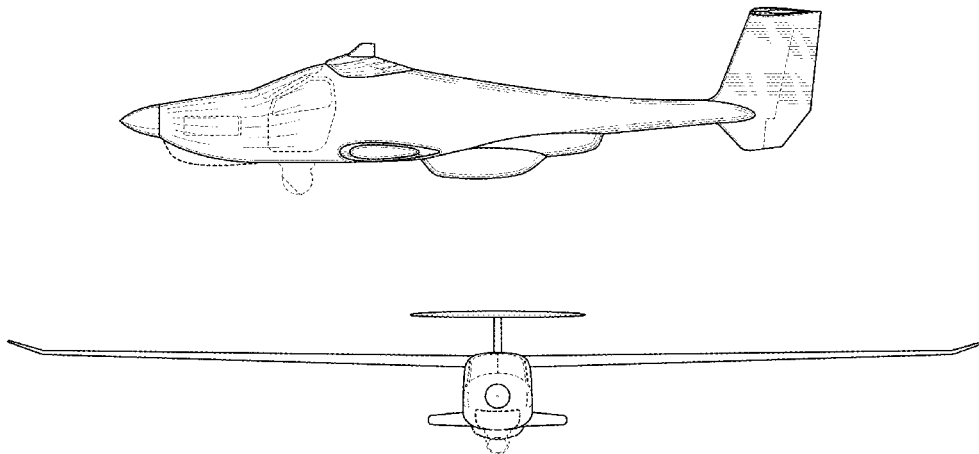
FIG. 1 is a side view for an aircraft, showing the new design,  
a side view of the reverse side is a mirror image of the  
illustrated side;  
FIG. 2 is a front view of the aircraft;  
FIG. 3 is a front view of a starboard portion of the aircraft;  
FIG. 4 is a front view of a port portion of the aircraft;  
FIG. 5 is a rear view of the aircraft;  
FIG. 6 is a rear view of a starboard portion of the aircraft;  
FIG. 7 is a rear view of a port portion of the aircraft;  
FIG. 8 is a top view of the aircraft;  
FIG. 9 is a top view of a starboard portion of the aircraft;  
FIG. 10 is a top view of a port portion of the aircraft;  
FIG. 11 is a bottom view of the aircraft;  
FIG. 12 is a bottom view of a starboard portion of the  
aircraft; and,  
FIG. 13 is a bottom view of a port portion of the aircraft.  
The broken lines shown in the drawings illustrate portions of  
the aircraft that do not form part of the claimed design.

(56) **References Cited**

**U.S. PATENT DOCUMENTS**

D143,822 S	2/1946	Johnson
D143,969 S	2/1946	Gross
D144,023 S	3/1946	Bowers et al.
D148,255 S	12/1947	Salisbury
D149,555 S	5/1948	Hibrard
D153,456 S	4/1949	Pulver
D180,297 S	5/1957	Schmued et al.

**1 Claim, 13 Drawing Sheets**



(56)

References Cited

U.S. PATENT DOCUMENTS

D279,469 S 7/1985 Raisbeck et al.  
 D289,994 S 5/1987 McNab et al.  
 D292,909 S 11/1987 Drake  
 D307,259 S 4/1990 Holt et al.  
 D317,432 S 6/1991 Cummings  
 D317,897 S 7/1991 Antonov et al.  
 D326,082 S 5/1992 Finlay et al.  
 D355,635 S 2/1995 Raisbeck et al.  
 D392,937 S 3/1998 Brichard et al.  
 5,820,075 A 10/1998 Speakes et al.  
 D418,105 S 12/1999 Margaritoff  
 D428,071 S 7/2000 Wang et al.  
 D428,451 S 7/2000 Wang  
 D446,764 S 8/2001 Panatov et al.  
 D471,853 S 3/2003 Lucchesini  
 D497,586 S 10/2004 Ferguson et al.  
 6,929,214 B2 8/2005 Ackleson et al.  
 D516,007 S 2/2006 Vigneron et al.  
 D583,295 S 12/2008 Au  
 D592,780 S 5/2009 Calvin et al.  
 D596,267 S 7/2009 Donovan et al.  
 D599,727 S 9/2009 Couvelaire  
 D620,159 S 7/2010 Beigel et al.  
 D620,875 S 8/2010 Chang et al.  
 D620,876 S 8/2010 Miralles et al.  
 D624,002 S 9/2010 Saint-Jalmes et al.  
 D624,003 S 9/2010 Saint-Jalmes et al.  
 D628,528 S 12/2010 Carrasco  
 D640,181 S 6/2011 Calvin et al.  
 7,967,252 B2 6/2011 Ferguson et al.  
 D640,962 S 7/2011 Guering  
 D665,331 S 8/2012 Sands  
 D681,543 S 5/2013 Fujino et al.  
 D688,618 S 8/2013 Bock et al.  
 D690,254 S 9/2013 Manzhelii et al.  
 D691,547 S 10/2013 Schiltgen et al.  
 D706,678 S 6/2014 Earon  
 D708,563 S 7/2014 Colten  
 D709,212 S 7/2014 Peltola et al.  
 D709,431 S 7/2014 Karkow et al.  
 D710,782 S 8/2014 Cummings  
 D717,227 S 11/2014 Senellart et al.  
 D725,548 S 3/2015 Peters et al.

D725,576 S 3/2015 Vickers et al.  
 D733,029 S 6/2015 Dutertre  
 D739,807 S 9/2015 Karkow et al.  
 D740,203 S 10/2015 Bouffanais et al.  
 D743,868 S 11/2015 Cummings et al.  
 D754,053 S 4/2016 Robertson et al.  
 D762,157 S 7/2016 Ferreira et al.  
 D762,548 S 8/2016 Ferreira et al.  
 D763,733 S 8/2016 Gattelli et al.  
 D769,177 S 10/2016 Tran et al.  
 D778,803 S 2/2017 Faure et al.  
 9,583,823 B2 2/2017 Tasker et al.  
 D795,160 S \* 8/2017 Koppenwallner ..... D12/343  
 D799,402 S \* 10/2017 Cummings ..... D12/327  
 D800,843 S \* 10/2017 Sartorius ..... D21/447  
 D805,503 S 12/2017 Corp et al.  
 D807,273 S \* 1/2018 Koppenwallner ..... D12/337  
 D808,328 S \* 1/2018 Ivans ..... D12/328  
 D809,448 S \* 2/2018 Schmiderer ..... D12/344  
 D813,143 S \* 3/2018 Belik ..... D12/326  
 D813,956 S \* 3/2018 McConville ..... D21/447  
 D818,931 S 5/2018 Schmiderer  
 2017/0062920 A1 3/2017 Harleman et al.  
 2017/0129588 A1 5/2017 Verillion et al.  
 2017/0133755 A1 5/2017 Renilson et al.  
 2017/0201017 A1 7/2017 Cordone et al.  
 2017/0210458 A1 7/2017 Tothill

OTHER PUBLICATIONS

Cash, "Office Action issued in U.S. Appl. No. 29/569,827 filed Jun. 30, 2016", dated Apr. 6, 2017, 8 pages.  
 Freitag, "Communication issued in EUIPO Design Application No. 003560630", dated Nov. 6, 2017, 2 pages.  
 Freitag, "Examination Report issued in EUIPO Design Application No. 003560630", dated Feb. 15, 2017, 2 pages.  
 U.S. Appl. No. 29/643,513 to Schmiderer filed Apr. 9, 2018.  
 U.S. Appl. No. 29/569,842 to Schmiderer filed Jun. 30, 2016.  
 U.S. Appl. No. 29/569,859 to Stemme filed Jun. 30, 2016.  
 U.S. Appl. No. 29/569,862 to Wagner filed Jun. 30, 2016.  
 U.S. Appl. No. 29/571,149 to Schmiderer filed Jul. 14, 2016.  
 U.S. Appl. No. 29/655,507 to Stemme filed Jul. 3, 2018.  
 Cash, "Office Action issued in U.S. Appl. No. 29/569,862, filed Jun. 30, 2016", dated Jun. 14, 2018, 7 pages.

\* cited by examiner

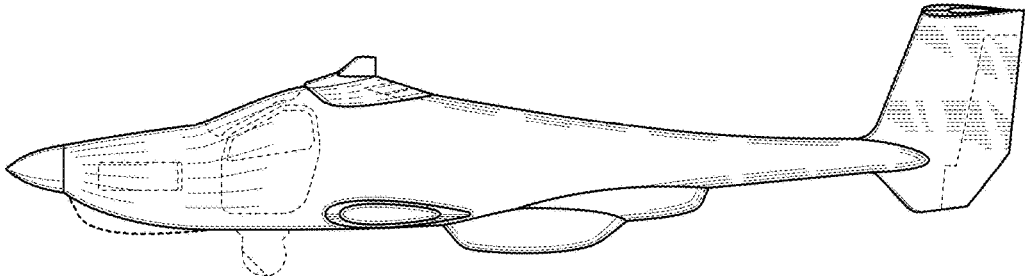


FIG. 1

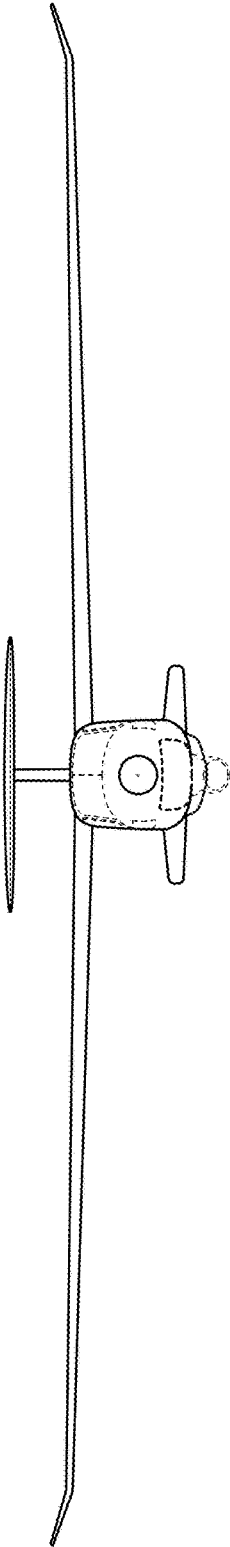


FIG. 2

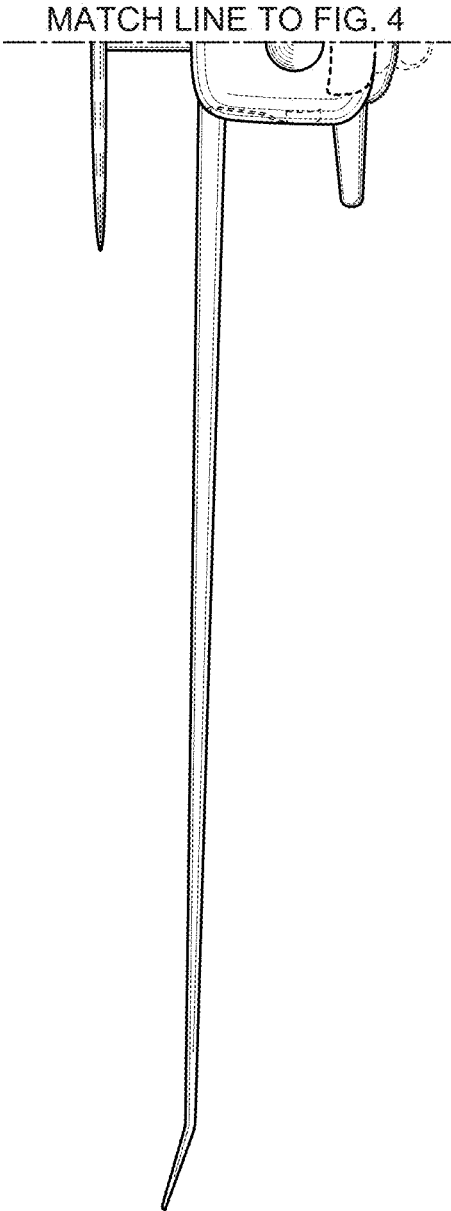


FIG. 3

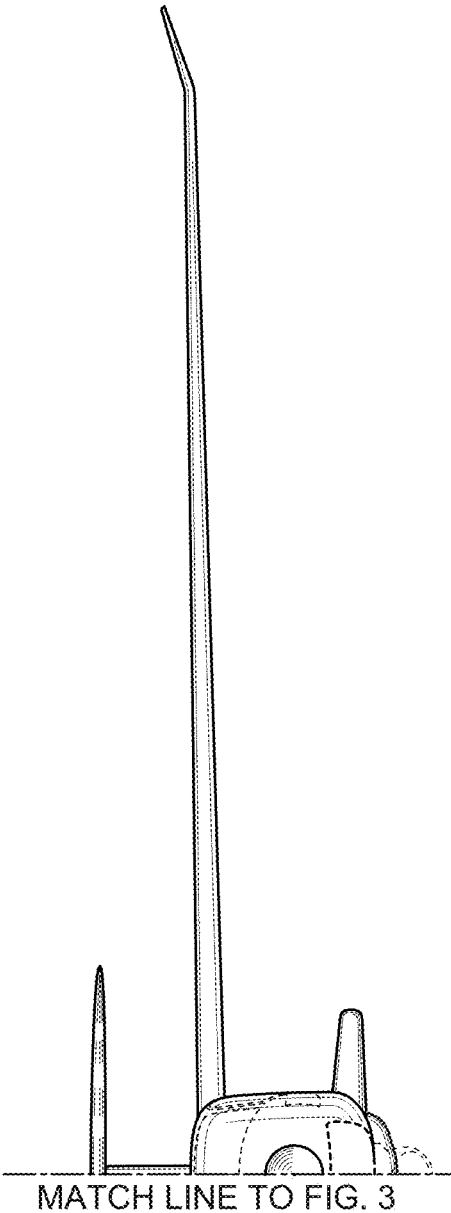


FIG. 4

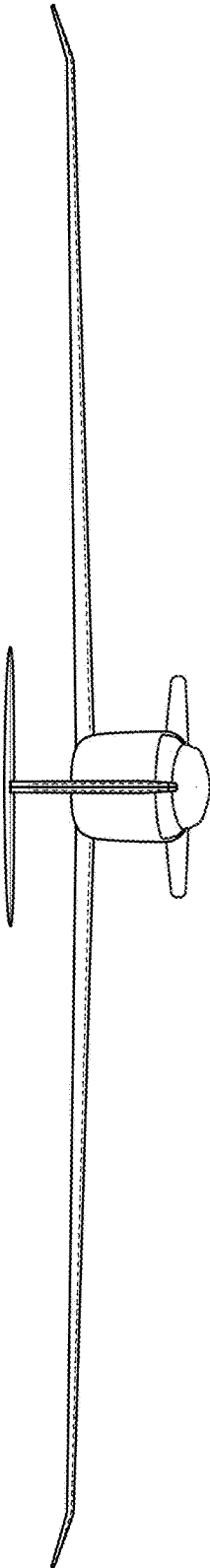


FIG. 5

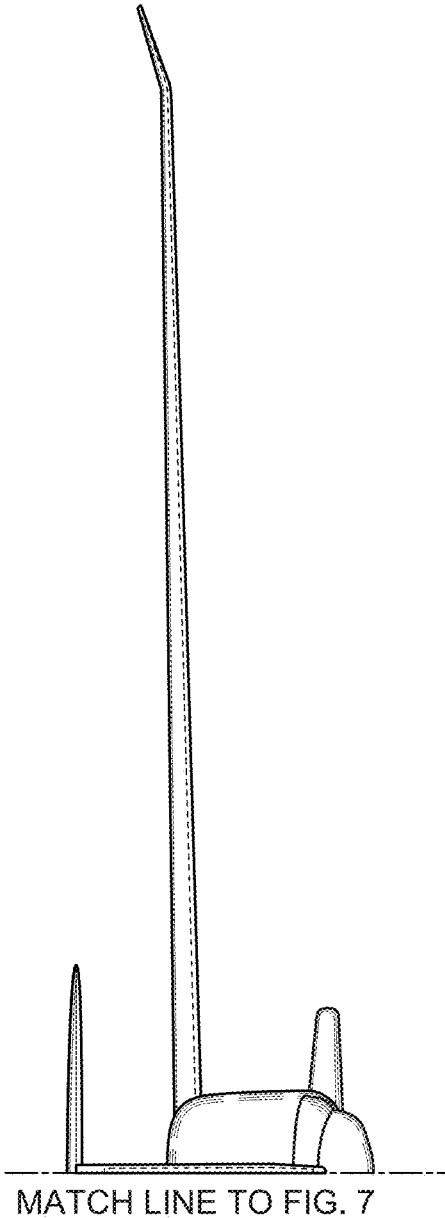


FIG. 6



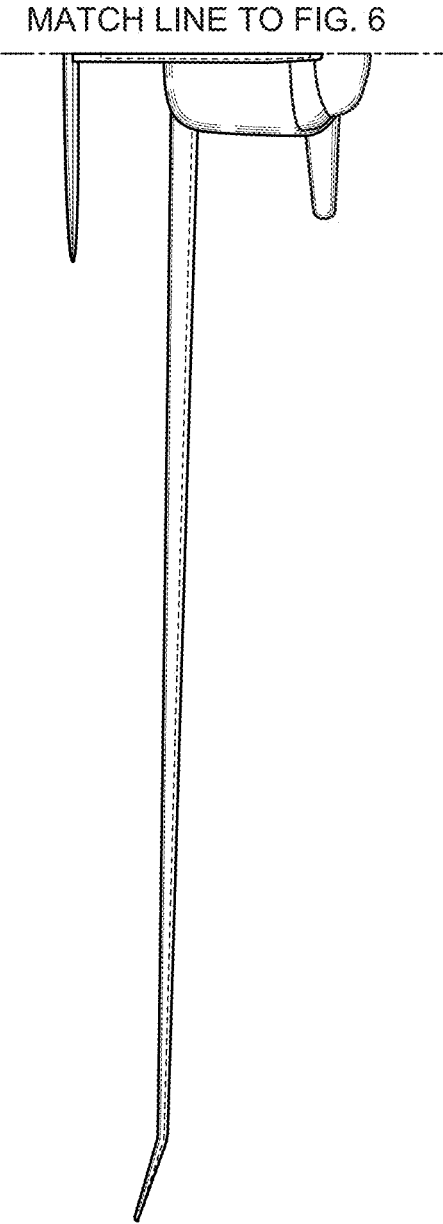


FIG. 7

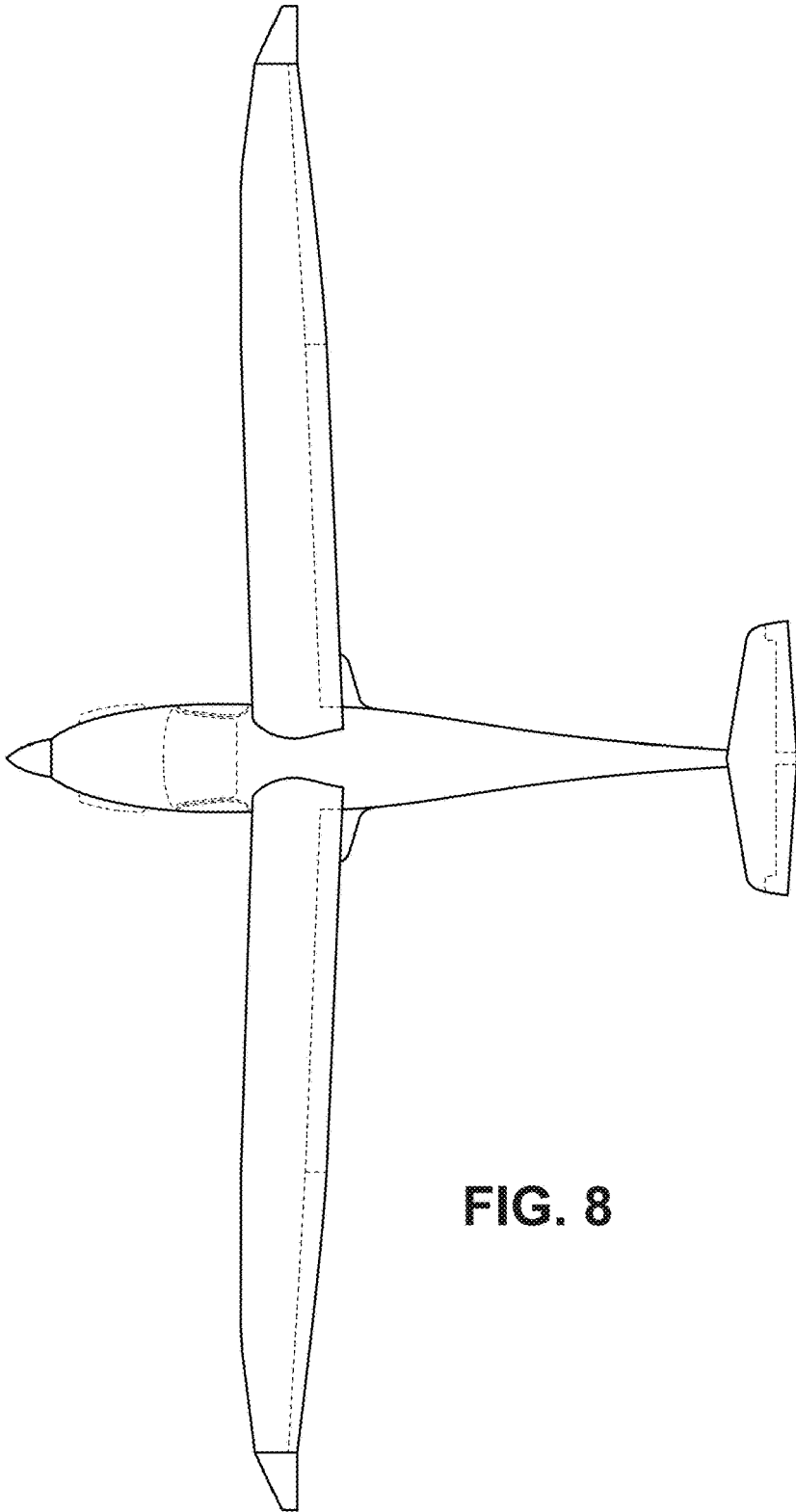


FIG. 8

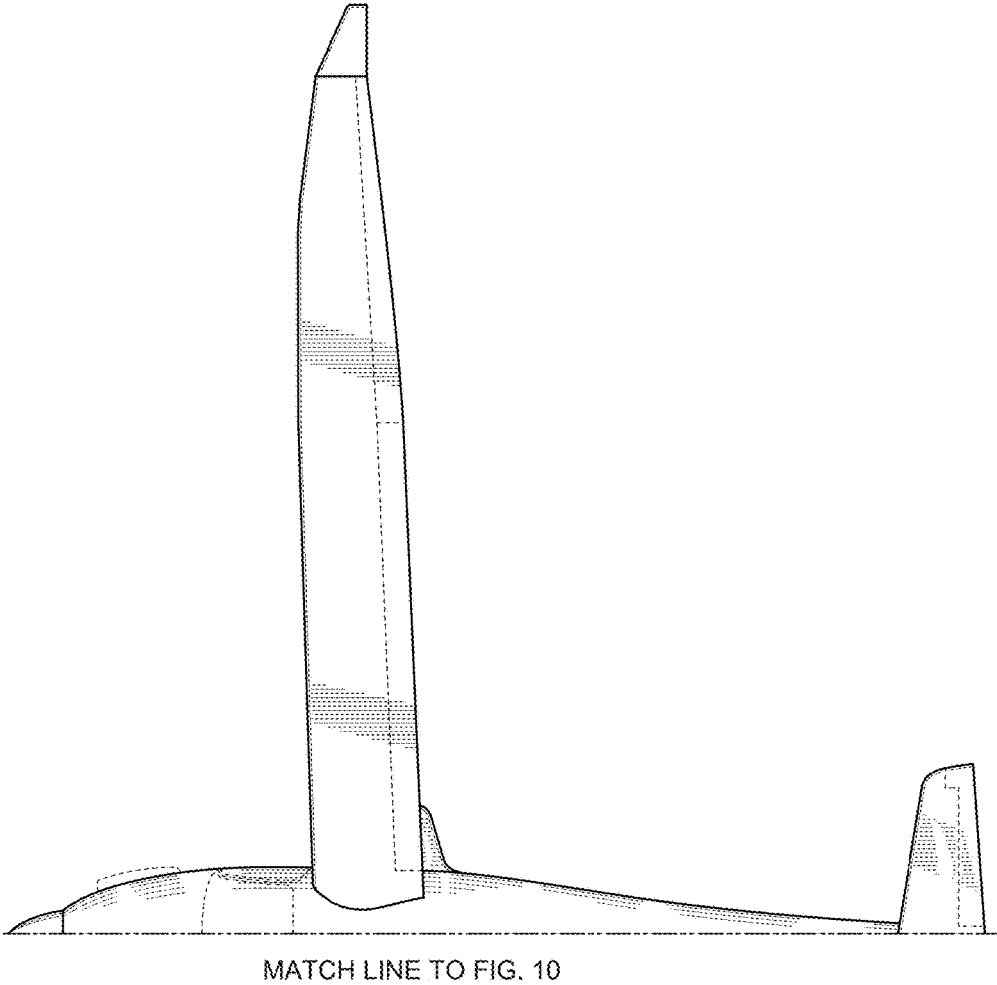
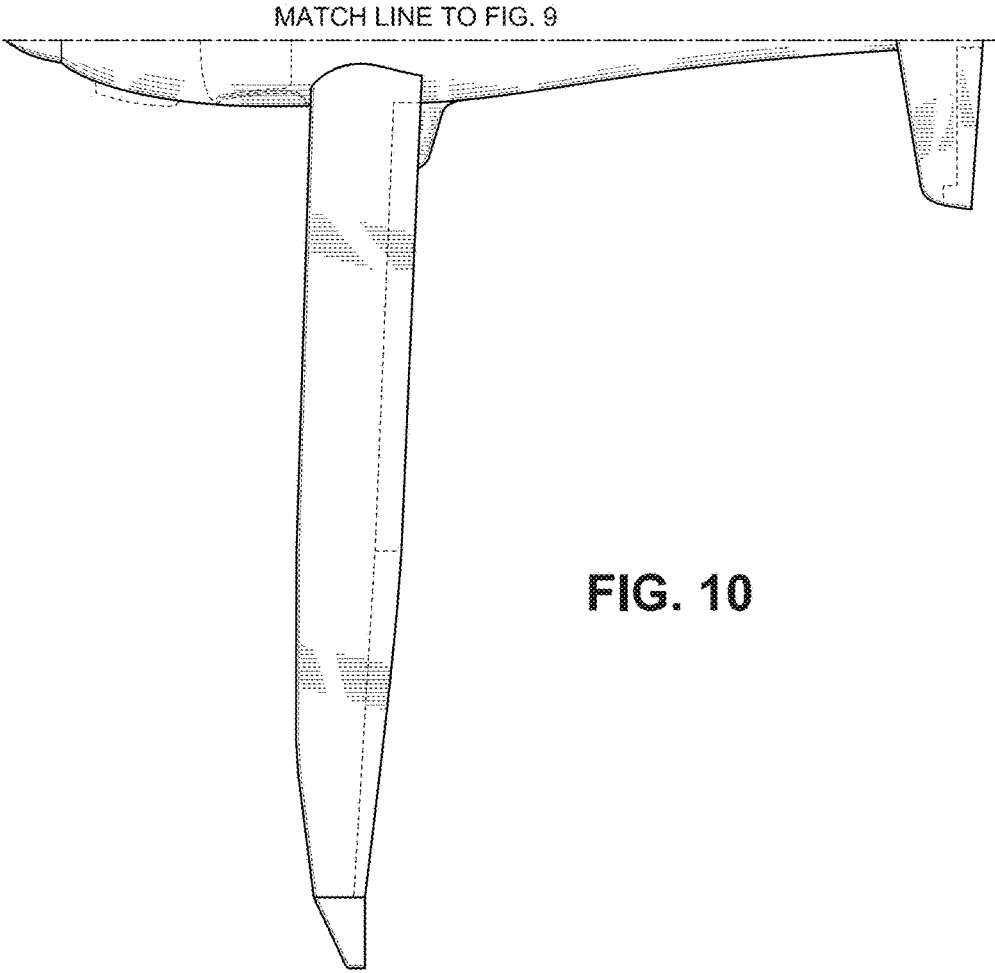


FIG. 9



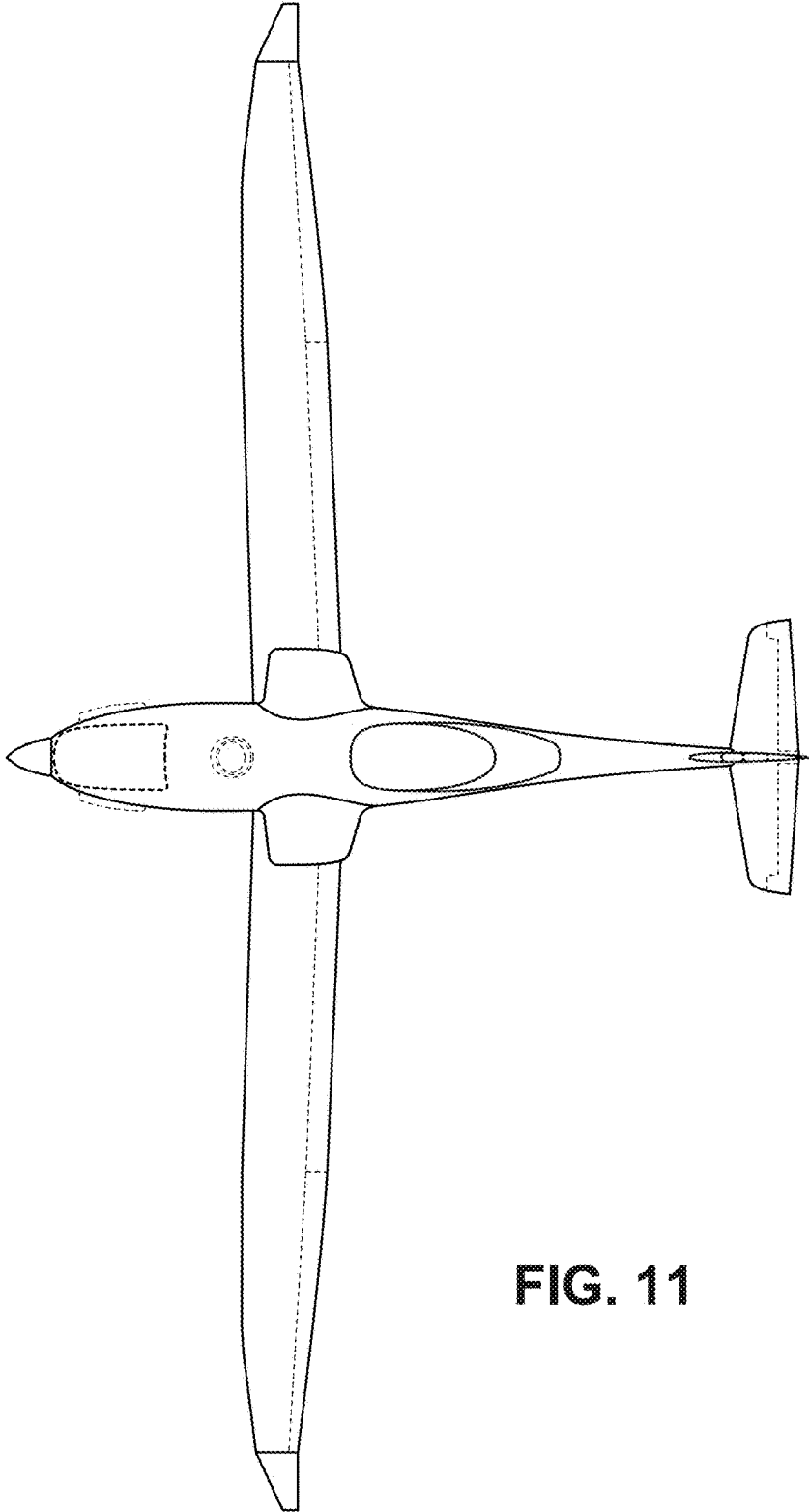
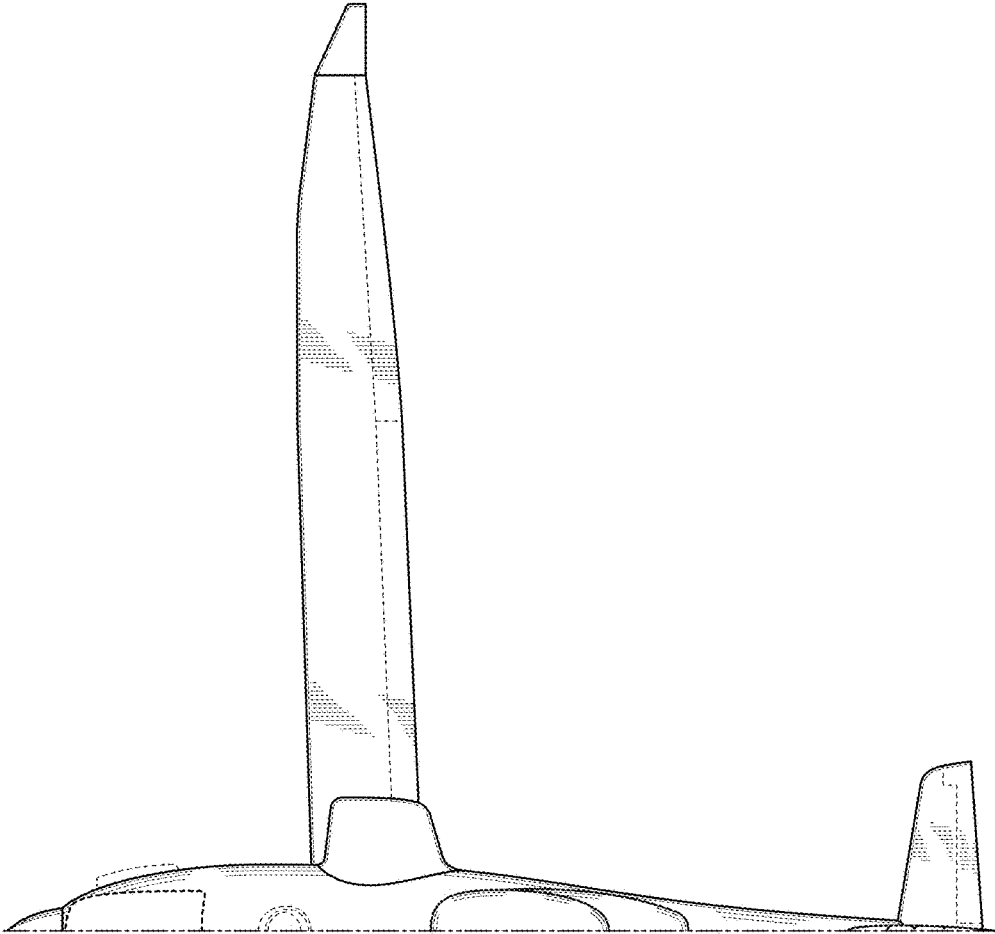


FIG. 11



MATCH LINE TO FIG. 13

**FIG. 12**

