



US00D365588S

United States Patent [19]

[11] **Patent Number: Des. 365,588**

Fernandez

[45] **Date of Patent: **Dec. 26, 1995**

[54] **CAMERA CRADLE**

Assistant Examiner—Adir Aronovich
Attorney, Agent, or Firm—James E. Larson; Herbert W. Larson

[76] **Inventor: Alfredo Fernandez**, 16145 Carden Dr., Odessa, Fla. 33556

[**] **Term: 14 Years**

[57] **CLAIM**

The ornamental design for a camera cradle, as shown and described.

[21] **Appl. No.: 34,280**

[22] **Filed: Jan. 31, 1995**

[52] **U.S. Cl. D16/242**

[58] **Field of Search D16/219, 242, D16/237; 248/176, 177, 186, 278; 354/81, 82, 293**

DESCRIPTION

FIG. 1 is a top, front perspective view of a camera cradle showing my new design;
FIG. 2 is a top, rear perspective view thereof;
FIG. 3 is a front elevational view thereof;
FIG. 4 is a rear elevational view thereof;
FIG. 5 is a reduced left side elevational view thereof;
FIG. 6 is a right side elevational view;
FIG. 7 is a top plan view thereof; and,
FIG. 8 is a bottom plan view thereof;
The broken line showing of a camera in FIG. 5 is for illustrative purposes only and forms no part of the claimed design.

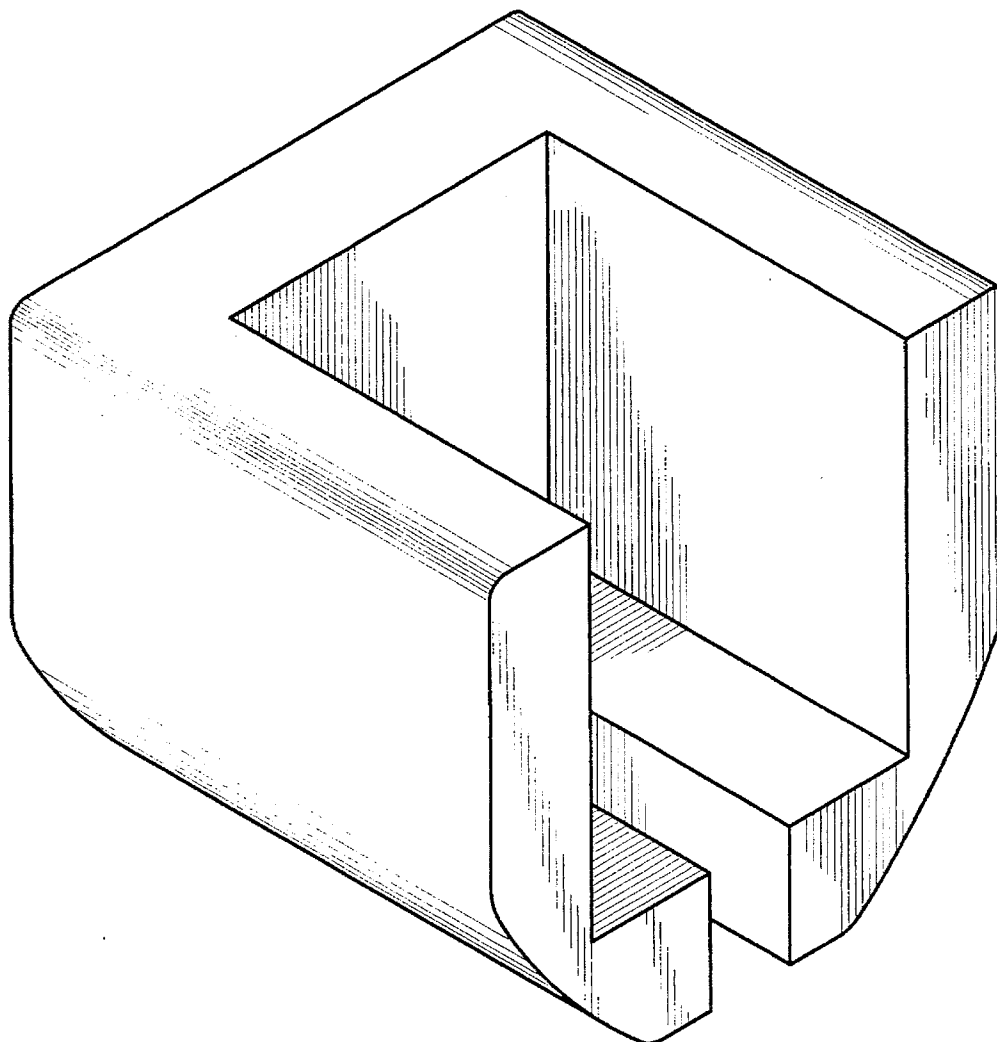
[56] **References Cited**

U.S. PATENT DOCUMENTS

D. 247,244	2/1978	Mazur	D16/242
D. 308,389	6/1990	Horn et al.	D16/242
D. 349,913	8/1994	Morris	D16/242
3,608,794	9/1971	Mazure	354/82
4,313,665	2/1982	Spitz	354/293

Primary Examiner—Ted Shooman

1 Claim, 4 Drawing Sheets



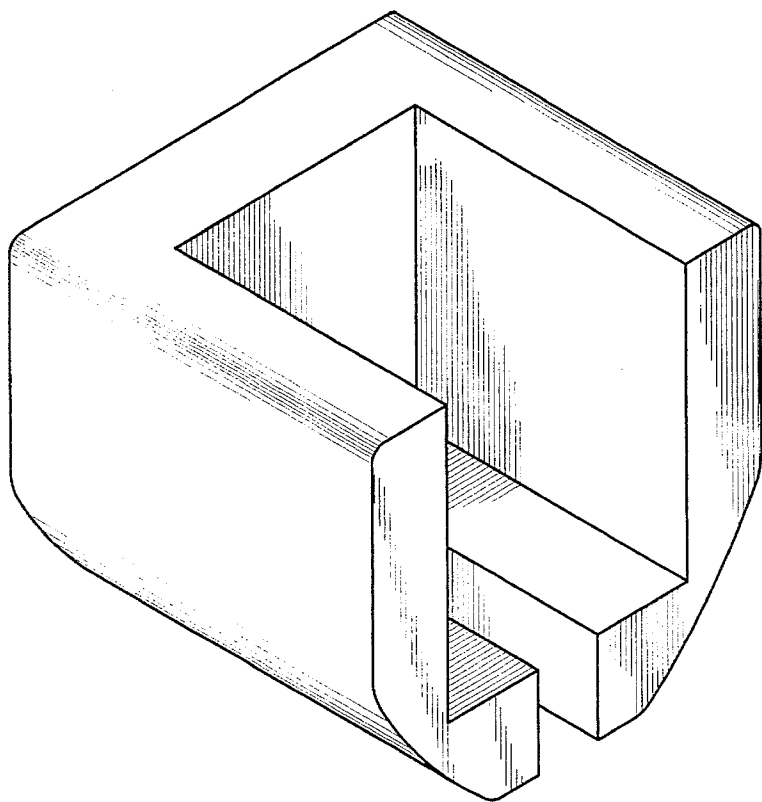


FIG. 1

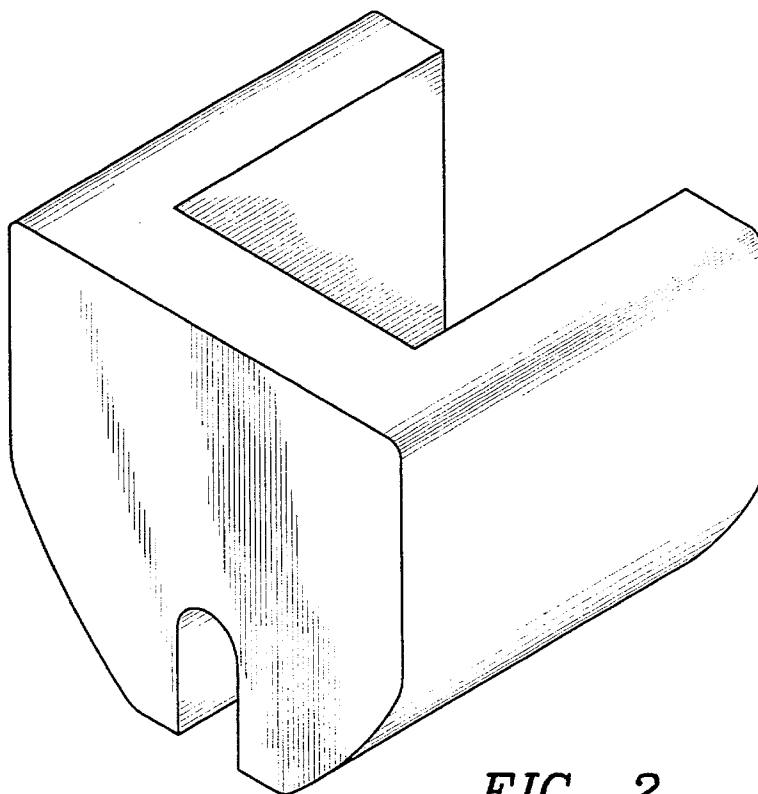


FIG. 2

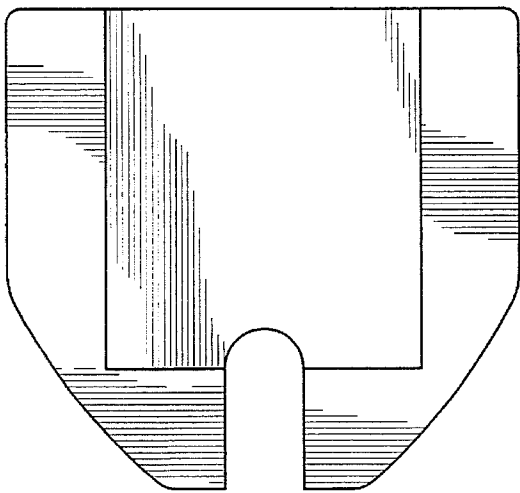


FIG. 3

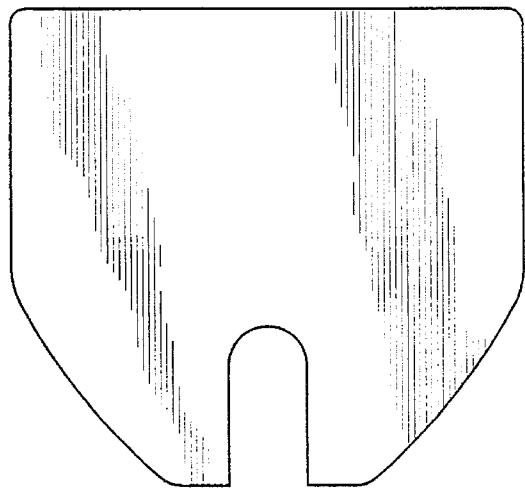


FIG. 4

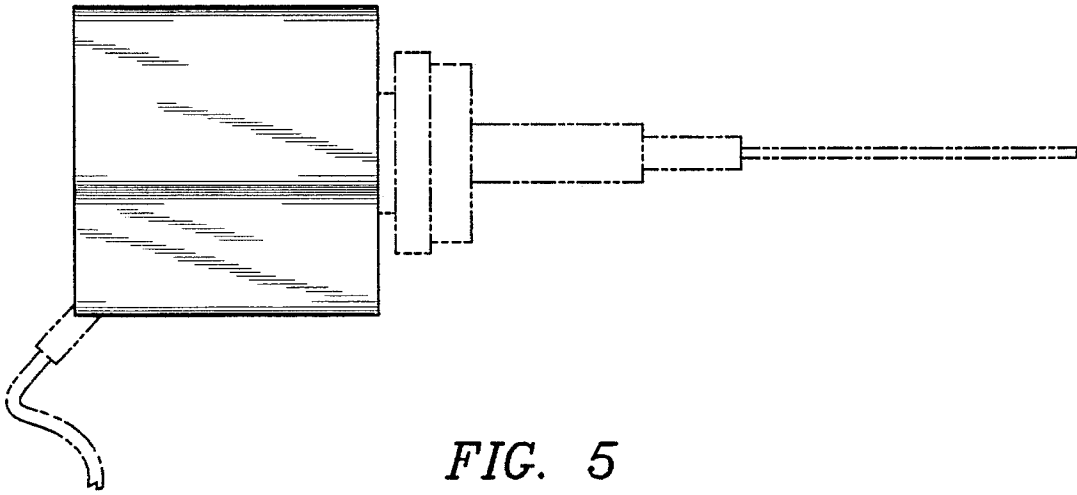


FIG. 5

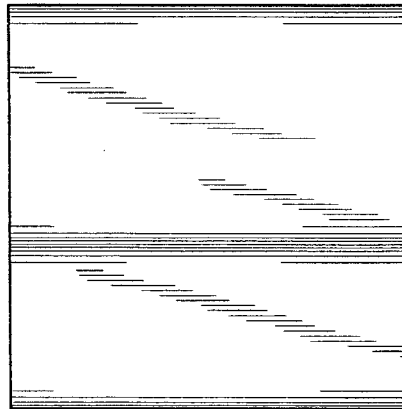


FIG. 6

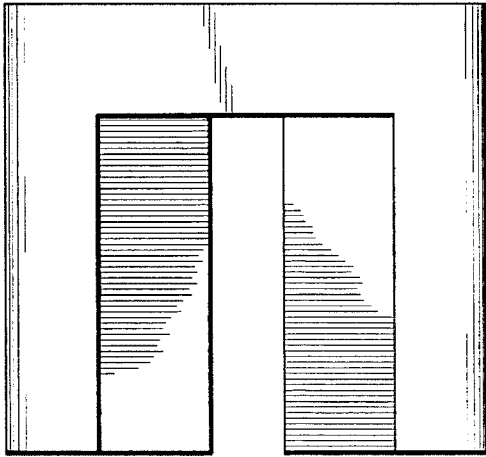


FIG. 7

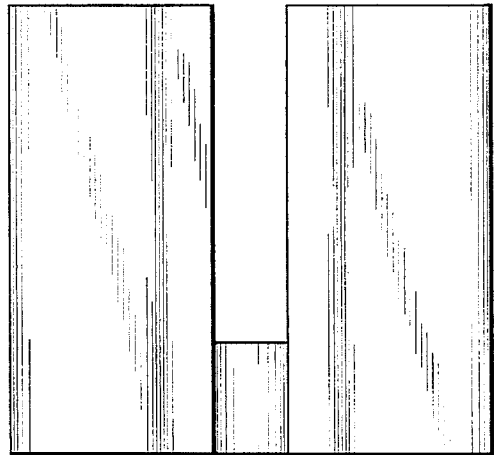


FIG. 8