

(19) World Intellectual Property Organization
International Bureau



(43) International Publication Date
6 December 2007 (06.12.2007)

PCT

(10) International Publication Number
WO 2007/140318 A3

(51) International Patent Classification:
H05K 1/18 (2006.01)

(21) International Application Number:
PCT/US2007/069773

(22) International Filing Date: 25 May 2007 (25.05.2007)

(25) Filing Language: English

(26) Publication Language: English

(30) Priority Data:
60/808,763 26 May 2006 (26.05.2006) US
11/749,480 16 May 2007 (16.05.2007) US

(71) Applicant (for all designated States except US): **ILLINOIS TOOL WORKS INC.** [US/US]; 3600 West Lake Avenue, Glenview, IL 60026 (US).

(72) Inventors; and

(75) Inventors/Applicants (for US only): **GORRELL, Brian** [US/US]; 3600 West Lake Avenue, Glenview, IL 60026 (US). **SAYLOR, Austin, A.** [US/US]; 3600 West Lake Avenue, Glenview, IL 60026 (US).

(74) Agent: **HAUPTMAN, Benjamin, J.**; Lowe Hauptman & Berner, LLP, 1700 Diagonal Road, Suite 300, Alexandria, VA 22314 (US).

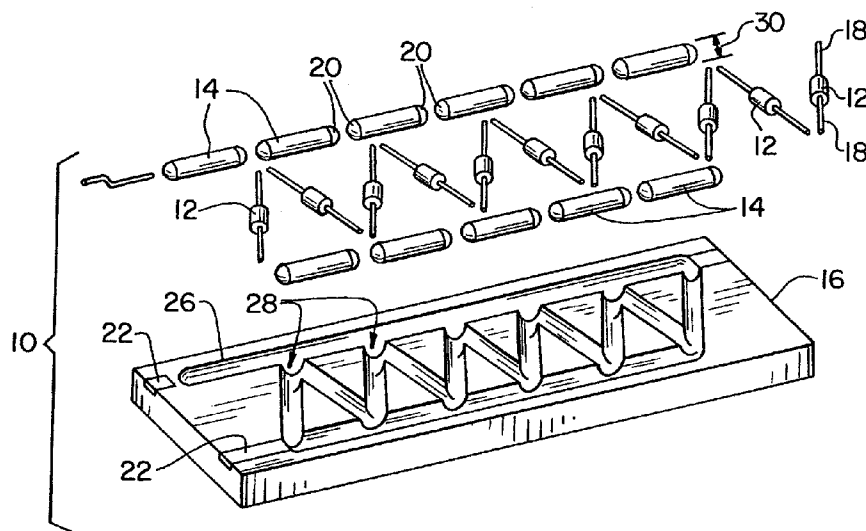
(81) Designated States (unless otherwise indicated, for every kind of national protection available): AE, AG, AL, AM, AT, AU, AZ, BA, BB, BG, BH, BR, BW, BY, BZ, CA, CH, CN, CO, CR, CU, CZ, DE, DK, DM, DZ, EC, EE, EG, ES, FI, GB, GD, GE, GH, GM, GT, HN, HR, HU, ID, IL, IN, IS, JP, KE, KG, KM, KN, KP, KR, KZ, LA, LC, LK, LR, LS, LT, LU, LY, MA, MD, ME, MG, MK, MN, MW, MX, MY, MZ, NA, NG, NI, NO, NZ, OM, PG, PH, PL, PT, RO, RS, RU, SC, SD, SE, SG, SK, SL, SM, SV, SY, TJ, TM, TN, TR, TT, TZ, UA, UG, US, UZ, VC, VN, ZA, ZM, ZW.

(84) Designated States (unless otherwise indicated, for every kind of regional protection available): ARIPO (BW, GH, GM, KE, LS, MW, MZ, NA, SD, SL, SZ, TZ, UG, ZM, ZW), Eurasian (AM, AZ, BY, KG, KZ, MD, RU, TJ, TM), European (AT, BE, BG, CH, CY, CZ, DE, DK, EE, ES, FI, FR, GB, GR, HU, IE, IS, IT, LT, LU, LV, MC, MT, NL, PL, PT, RO, SE, SI, SK, TR), OAPI (BF, BJ, CF, CG, CI, CM, GA, GN, GQ, GW, ML, MR, NE, SN, TD, TG).

Published:
— with international search report

(88) Date of publication of the international search report:
27 March 2008

(54) Title: ELECTRICAL ASSEMBLY



(57) Abstract: An electrical assembly including a substantially planar substrate having at least one recess therein and a plurality of electrical components. The electrical components are positioned in the at least one recess and include a first electrical component and a second electrical component. Each of the electrical components has a body and an electrical connection. The electrical connection of the first electrical component and the electrical connection of the second electrical component are aligned with each other when the body of the first electrical component is in a recess and the body of the second electrical component is in a recess.

WO 2007/140318 A3

INTERNATIONAL SEARCH REPORT

International application No
PCT/US2007/069773

A. CLASSIFICATION OF SUBJECT MATTER
INV. H05K1/18

According to International Patent Classification (IPC) or to both national classification and IPC

B. FIELDS SEARCHED

Minimum documentation searched (classification system followed by classification symbols)
H05K

Documentation searched other than minimum documentation to the extent that such documents are included in the fields searched

Electronic data base consulted during the international search (name of data base and, where practical, search terms used)

EPO-Internal, WPI Data, IBM-TDB, COMPENDEX, INSPEC

C. DOCUMENTS CONSIDERED TO BE RELEVANT

Category*	Citation of document, with indication, where appropriate, of the relevant passages	Relevant to claim No.
X	US 2004/194993 A1 (AOYAGI TORU [JP]) 7 October 2004 (2004-10-07) paragraph [0031] - paragraph [0037]; figures 1,2	1-9
X	JP 2004 048905 A (TOTOKU ELECTRIC) 12 February 2004 (2004-02-12) abstract	10-14
X	US 6 509 637 B1 (LIEBHARD MARKUS KARL [US]) 21 January 2003 (2003-01-21) column 3, line 57 - line 59; figures 2A,2B	15-21
A	DE 101 11 683 C1 (GIESECKE & DEVRIENT GMBH [DE]) 21 November 2002 (2002-11-21) paragraph [0038]; figure 2	1-21

Further documents are listed in the continuation of Box C.

See patent family annex.

* Special categories of cited documents :

- *A* document defining the general state of the art which is not considered to be of particular relevance
- *E* earlier document but published on or after the international filing date
- *L* document which may throw doubts on priority claim(s) or which is cited to establish the publication date of another citation or other special reason (as specified)
- *O* document referring to an oral disclosure, use, exhibition or other means
- *P* document published prior to the international filing date but later than the priority date claimed

- *T* later document published after the international filing date or priority date and not in conflict with the application but cited to understand the principle or theory underlying the invention
- *X* document of particular relevance; the claimed invention cannot be considered novel or cannot be considered to involve an inventive step when the document is taken alone
- *Y* document of particular relevance; the claimed invention cannot be considered to involve an inventive step when the document is combined with one or more other such documents, such combination being obvious to a person skilled in the art.
- *&* document member of the same patent family

Date of the actual completion of the international search

19 December 2007

Date of mailing of the international search report

11/01/2008

Name and mailing address of the ISA/
European Patent Office, P.B. 5818 Patentlaan 2
NL - 2280 HV Rijswijk
Tel. (+31-70) 340-2040, Tx. 31 651 epo nl,
Fax: (+31-70) 340-3016

Authorized officer

Dobbs, Harvey

INTERNATIONAL SEARCH REPORT

Information on patent family members

International application No

PCT/US2007/069773

Patent document cited in search report	Publication date	Patent family member(s)	Publication date
US 2004194993 A1	07-10-2004	JP 2004165501 A	10-06-2004
JP 2004048905 A	12-02-2004	NONE	
US 6509637 B1	21-01-2003	NONE	
DE 10111683 C1	21-11-2002	FR 2821959 A1	13-09-2002