

(19) World Intellectual Property Organization  
International Bureau



(43) International Publication Date  
24 November 2005 (24.11.2005)

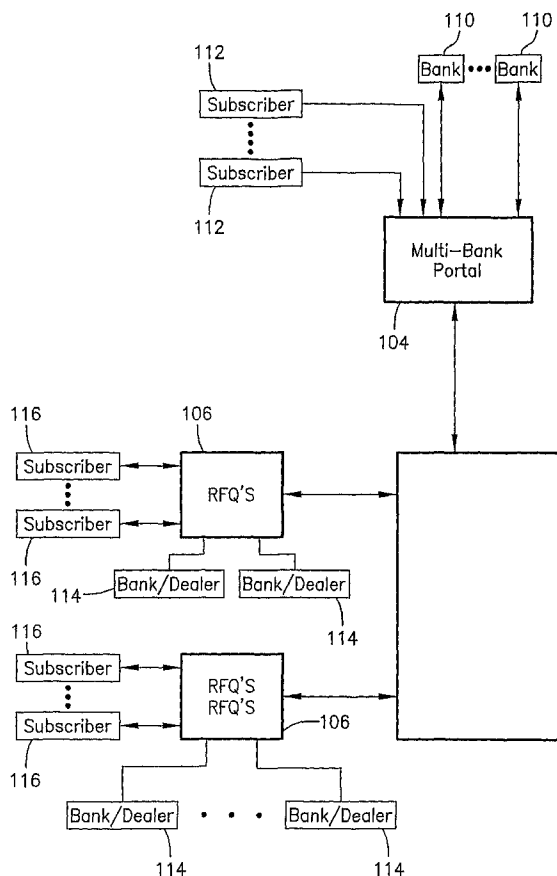
PCT

(10) International Publication Number  
WO 2005/111892 A3

- (51) International Patent Classification: *G06F 17/16* (2006.01)
- (21) International Application Number: PCT/US2005/014212
- (22) International Filing Date: 26 April 2005 (26.04.2005)
- (25) Filing Language: English
- (26) Publication Language: English
- (30) Priority Data: 10/834,812 29 April 2004 (29.04.2004) US
- (71) Applicant (for all designated States except US): **LAVA TRADING, INC.** [US/US]; 95 Morton Street, New York, NY 10014 (US).
- (72) Inventors; and
- (75) Inventors/Applicants (for US only): **OGG, David** [US/US]; 19 Kathy Lane, Warren, NJ 07059 (US). **LAMARTIN, William** [US/US]; 66 North Ocean Avenue, Bayport, NY 117025 (US). **SMITH, Mark** [US/US];
- 4113 Coquina Key Drive SE, Saint Petersburg, FL 33705 (US).
- (74) Agent: **SCHINDLER, Barry, J.**; Greenberg Traurig, LLC, Met Life Building, 200 Park Avenue, New York, NY 10166 (US).
- (81) Designated States (unless otherwise indicated, for every kind of national protection available): AE, AG, AL, AM, AT, AU, AZ, BA, BB, BG, BR, BW, BY, BZ, CA, CH, CN, CO, CR, CU, CZ, DE, DK, DM, DZ, EC, EE, EG, ES, FI, GB, GD, GE, GH, GM, HR, HU, ID, IL, IN, IS, JP, KE, KG, KM, KP, KR, KZ, LC, LK, LR, LS, LT, LU, LV, MA, MD, MG, MK, MN, MW, MX, MZ, NA, NI, NO, NZ, OM, PG, PH, PL, PT, RO, RU, SC, SD, SE, SG, SK, SL, SM, SY, TJ, TM, TN, TR, TT, TZ, UA, UG, US, UZ, VC, VN, YU, ZA, ZM, ZW.
- (84) Designated States (unless otherwise indicated, for every kind of regional protection available): ARIPO (BW, GH, GM, KE, LS, MW, MZ, NA, SD, SL, SZ, TZ, UG, ZM, ZW), Eurasian (AM, AZ, BY, KG, KZ, MD, RU, TJ, TM), European (AT, BE, BG, CH, CY, CZ, DE, DK, EE, ES, FI, FR, GB, GR, HU, IE, IS, IT, LT, LU, MC, NL, PL, PT, RO,

[Continued on next page]

(54) Title: AUTOMATED SYSTEM FOR ROUTING ORDERS FOR FOREIGN EXCHANGE TRANSACTIONS



(57) Abstract: The system and method of the preferred embodiment supports trading of securities over the Internet both on national exchanges and outside the national exchanges. The preferred embodiment supports an improved human interface and a continuous display of real-time stock quotes on the user's computer screen. The ergonomic graphical user interface (GUI) of the preferred embodiment includes several functional benefits in comparison with existing on-line consumer trading systems. In the preferred embodiment, the users are subscribers to a securities trading service offered over the Internet. Preferably, each subscriber to this service is simultaneously connected from his own computer to a first system which provides user-to-user trading capabilities and to a second system which is a broker/dealer system of his/her choice. The system providing the user-to-user trading services preferably includes a root server and a hierarchical network of replicated servers supporting replicated databases. The user-to-user system provides real-time continuously updated stock information and facilitates user-to-user trades that have been approved by the broker/dealer systems with which it interacts. Users of the preferred system can trade securities with other users of the system. As part of this user-to-user trading, a user can accept a buy or sell offer at the terms offered or he can initiate a counteroffer and negotiate a trade.

WO 2005/111892 A3



SE, SI, SK, TR), OAPI (BF, BJ, CF, CG, CI, CM, GA, GN, GQ, GW, ML, MR, NE, SN, TD, TG).

(88) Date of publication of the international search report:  
15 February 2007

**Published:**

- with international search report
- before the expiration of the time limit for amending the claims and to be republished in the event of receipt of amendments

For two-letter codes and other abbreviations, refer to the "Guidance Notes on Codes and Abbreviations" appearing at the beginning of each regular issue of the PCT Gazette.

# INTERNATIONAL SEARCH REPORT

International application No.

PCT/US05/14212

<b>A. CLASSIFICATION OF SUBJECT MATTER</b> IPC: <b>G06F 17/16(2006.01)</b>  USPC: 705/38 According to International Patent Classification (IPC) or to both national classification and IPC		
<b>B. FIELDS SEARCHED</b>  Minimum documentation searched (classification system followed by classification symbols) U.S. : 705/38  Documentation searched other than minimum documentation to the extent that such documents are included in the fields searched NONE  Electronic data base consulted during the international search (name of data base and, where practicable, search terms used) WEST DIALOG		
<b>C. DOCUMENTS CONSIDERED TO BE RELEVANT</b>		
Category *	Citation of document, with indication, where appropriate, of the relevant passages	Relevant to claim No.
X	US Patent NO: 6, 408, 282 B1 (Buist) 18 Jun 2002 (18.06.2002)entire document.	1-19
<input type="checkbox"/> Further documents are listed in the continuation of Box C.		
<input type="checkbox"/> See patent family annex.		
* Special categories of cited documents:		
"A" document defining the general state of the art which is not considered to be of particular relevance	"T" later document published after the international filing date or priority date and not in conflict with the application but cited to understand the principle or theory underlying the invention	
"E" earlier application or patent published on or after the international filing date	"X" document of particular relevance; the claimed invention cannot be considered novel or cannot be considered to involve an inventive step when the document is taken alone	
"L" document which may throw doubts on priority claim(s) or which is cited to establish the publication date of another citation or other special reason (as specified)	"Y" document of particular relevance; the claimed invention cannot be considered to involve an inventive step when the document is combined with one or more other such documents, such combination being obvious to a person skilled in the art	
"O" document referring to an oral disclosure, use, exhibition or other means	"&" document member of the same patent family	
"P" document published prior to the international filing date but later than the priority date claimed		
Date of the actual completion of the international search 01 October 2006 (01.10.2006)	Date of mailing of the international search report <div style="text-align: center; font-size: 1.2em; font-weight: bold;">18 DEC 2006</div>	
Name and mailing address of the ISA/US Mail Stop PCT, Attn: ISA/US Commissioner for Patents P.O. Box 1450 Alexandria, Virginia 22313-1450 Facsimile No. (571) 273-3201	Authorized officer  Hyung S Sough  Telephone No. 703-305-3900	