



(86) Date de dépôt PCT/PCT Filing Date: 2009/08/06
 (87) Date publication PCT/PCT Publication Date: 2010/02/11
 (85) Entrée phase nationale/National Entry: 2011/01/06
 (86) N° demande PCT/PCT Application No.: EP 2009/060237
 (87) N° publication PCT/PCT Publication No.: 2010/015689
 (30) Priorité/Priority: 2008/08/06 (EP08161928.0)

(51) Cl.Int./Int.Cl. *A61B 5/00* (2006.01),
A61B 19/00 (2006.01), *G01N 33/48* (2006.01)
 (71) Demandeur/Applicant:
F. HOFFMANN LA-ROCHE AG, CH
 (72) Inventeurs/Inventors:
HAAR, HANS-PETER, DE;
KOCHERSCHIEDT, GERRIT, DE
 (74) Agent: OGILVY RENAULT LLP/S.E.N.C.R.L.,S.R.L.

(54) Titre : SYSTEME MEDICAL AVEC LECTEUR DE CODES-BARRES COMPACT POUR CONSOMMABLES
 (54) Title: MEDICAL SYSTEM COMPRISING A COMPACT BARCODE READER FOR CONSUMABLE ITEMS

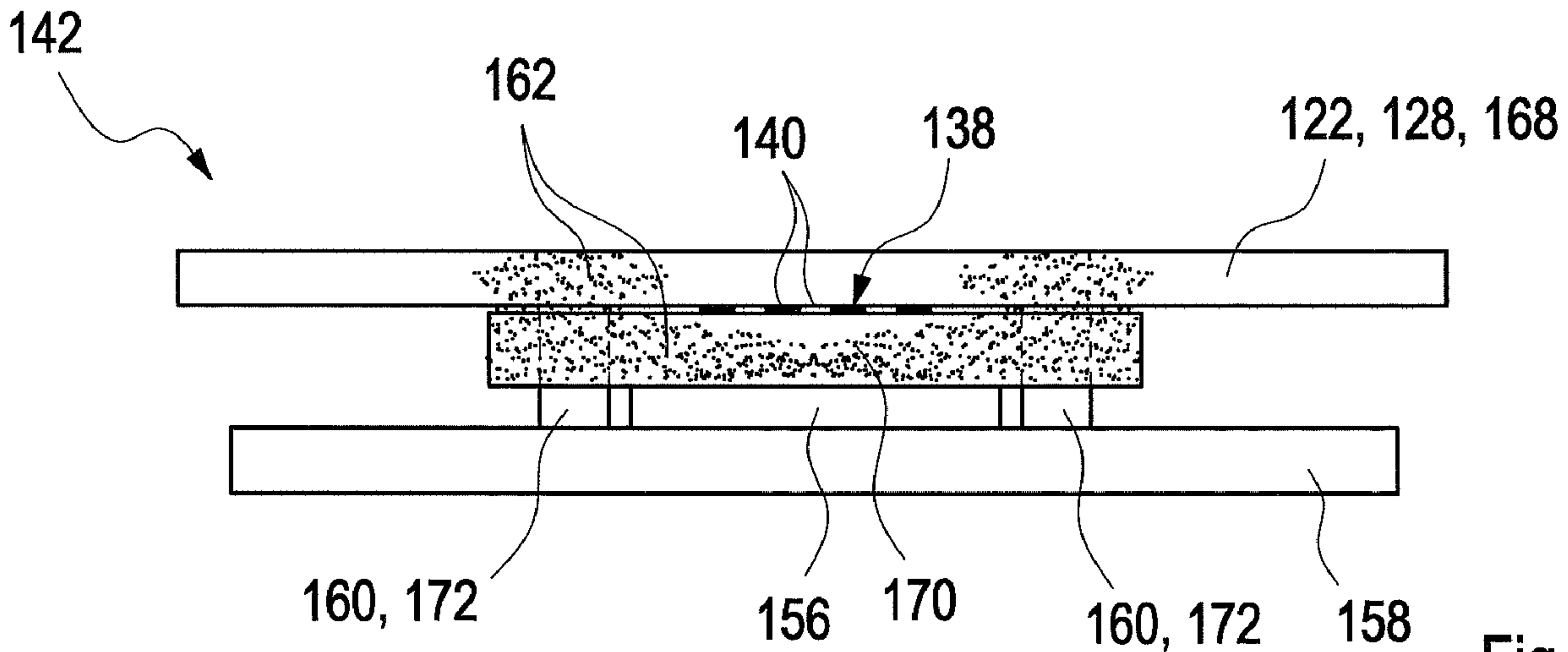


Fig. 6

(57) **Abrégé/Abstract:**

A medical system (110) is proposed, comprising at least one medical device (112) for carrying out at least one medical function. The medical device (112) is adapted to interact with at least one medical consumable item (122) for carrying out the medical function. The medical device (112) comprises at least one code reader (142) for reading out at least one piece of information of an optical code (138) located on the medical consumable item (122). The code reader (142) comprises at least one image sensor (156) comprising a plurality of sensors (188). The code reader (142) further comprises at least one light-optical fiber plate (170) disposed in such a way that an image of the optical code (138) is sent to the image sensor (156).

Abstract

A medical system (110) is proposed, comprising at least one medical apparatus (112) for
5 carrying out at least one medical function. The medical apparatus (112) is designed to
interact with at least one medical consumable item (122) in order to carry out the medical
function. The medical apparatus (112) has at least one code reader (142) for reading out at
least one information component of an optical code (138) on the medical consumable item
10 (122). The code reader (142) has at least one image sensor (156) having a plurality of
sensors (188). Furthermore, the code reader (142) comprises at least one light-optical fiber
plate (170), which is arranged in order to guide an image of the optical code (138) to the
image sensor (156).

(Figure 6)

AS ORIGINALLY FILED

Medical system comprising a compact barcode reader for consumable items

5

Field of the invention

10 The invention relates to a medical system comprising at least one medical apparatus for carrying out a medical function. The medical apparatus is designed to interact with at least one medical consumable item. Medical systems of this type are used, for example, in medical analysis, medical diagnostics or medical therapeutics.

15 Prior art

The use of medical consumable items is of significant importance in the field of medicine and medical technology. Thus, by way of example, in medical diagnostics and analysis and in medical therapeutics, in many cases medical apparatuses are used which, for example,
20 have a diagnostic, analytical or therapeutic function and rely on one or more medical consumable items in order to carry out this function.

Examples of such medical systems are medical analysis apparatuses which are used for the quantitative and/or qualitative detection of at least one analyte in a sample, for example for
25 the detection of one or more metabolites in a body fluid. Glucose measuring apparatuses shall be mentioned here as an application example, these apparatuses being used to measure a glucose content for example in blood, interstitial fluid, saliva or urine.

Such analysis apparatuses or others generally use one or more test elements by means of
30 which the quantitative and/or qualitative detection of the analyte is effected. By way of example, said test elements can comprise one or more test fields which, upon contact with the analyte, carry out a specific chemically or physically detectable reaction or experience a specific, measurable change. Accordingly, the analysis apparatuses can be designed to determine the analyte concentration optically, electrochemically or in some other way with
35 the test elements. The test elements can be present, for example, as small test tubes, test strips, test tapes, test wheels having test fields arranged on a top side and/or a circumference, foldable test papers having a plurality of test fields, or in some other form.

In this case, the test elements can be present individually or, for example, as a plurality in magazine form, where in the latter case a magazine with the test elements can also be regarded as a consumable item.

5 Another example of such medical systems with consumable items is lancet systems, in which, for example, a puncture aid functions as a medical apparatus. Said puncture aid is generally designed to perforate part of a patient's skin by means of one or more consumable items in the form of lancets in order, for example, to generate a sample of blood or interstitial fluid.

10

Further examples of such medical systems are medication systems with metering devices. Such metering devices generally even operate with a plurality of types of medical consumable items. Thus, firstly, it is possible to use, for example, cartridges or other supply vessels of a medicament which is metered by means of the metering device. In this case, the medicament itself and/or the medicament with the corresponding vessel (for example the cartridge) can be regarded as a consumable item. One example of such metering devices is medication pumps, such as insulin pumps, for example. However, these metering devices generally furthermore require further types of medical consumable items, in particular catheters, for example.

20

Numerous further types of medical systems of this type, comprising a medical apparatus and at least one consumable item, are known. One challenge for these medical systems, in practice, is that the medical apparatus, in order to be able to interact with the consumable item correctly in order to carry out its medical function, requires information that can change. Thus, by way of example, test elements can differ from batch to batch, such that a batch-specific information component can be required for the correct evaluation of the quantitative and/or qualitative detection of the at least one analyte in the sample. This can be, for example, information about how the optical luminescence or absorption properties, i.e. e.g. the luminescence or color of a test field of a test element, changes with the analyte concentration. Electrochemical evaluation information components can also be encompassed. By way of example, current profiles and/or electrical potentials are measured in this case.

30

In the case of lancet systems, for example lancet systems with consumable items in the form of a lancet magazine having a plurality of lancets or in the form of an individual lancet, a puncture aid, for example, can require information about whether a correct type of consumable item has been inserted into the puncture aid, for example a lancet of a correct

35

manufacturer or type. Generally, such information in the case of this type of consumable items or other types of consumable items can for example also be used for protection against counterfeiting in order to differentiate items of a correct or authorized manufacturer from “counterfeit” consumable items. This last, in addition to avoiding economic damage, 5 can greatly reduce the risk of damage to health caused by counterfeit medical products.

In the case of medical systems comprising metering devices, for example insulin pumps, information about the type and/or the content of a cartridge of a medicament may be required, for example. If catheters or cannulas are used to meter the medicament, then a 10 filling volume of the catheter may be required, for example, in order to ensure correct initial filling or flooding (“priming”) of the catheter.

These are just a few examples of information components which can or have to be exchanged in the case of such medical systems. To solve this problem there are various 15 possibilities in the prior art. Thus, in the case of commercially available glucose measuring apparatuses, for example, an information carrier, for example a so-called ROM key, is enclosed with each batch of new test elements. The patient is required to enter said ROM key into the analysis apparatus before using the new batch, such that correct information can be used for the evaluation of the measurement. However, this technique is associated 20 with the risk, in principle, that, precisely in the case of older patients or children, the exchange of the ROM key fails to occur upon use of a new batch on the test strip. This can, since in this case possibly incorrect measurement results are output, have consequences with regard to an erroneous medication based on the erroneous measurement results.

25 The prior art therefore discloses various medical systems in which directly on the consumable material, that is to say not as a separate information carrier but rather fixedly connected to the consumable material, such an information carrier is provided. Since these information carriers, on account of a constantly increasing cost pressure in the medical sector, have to be completed in a cost-effective fashion and furthermore in a very small 30 fashion, known electronic information carriers (such as radiofrequency labels for example) are ruled out in many cases.

Therefore, medical systems are known in which two- or three-dimensional optical codes are applied to medical consumable items, which can be read in by means of a 35 corresponding optical code reader of the medical apparatus. Such systems are described in US 6,588,670 B2, for example. Test strips equipped with corresponding barcodes as

optical codes are also described in US 4,476,149 or in US 6,168,957. Reference may hereinafter be made to such optical codes by way of example.

5 One difficulty in the case of such optical codes have is that, in particular in medical handheld apparatuses, the structural space available for the code reader is extremely limited. Moreover, the code readers have to be constructed in a very light fashion and have to be able to be manufactured cost-effectively in mass production. Numerous code readers for reading out optical codes are known from the prior art. Examples of such code readers are known for DNA microarray scanners in US 2006/0213994 A1 or for check card readers
10 in US 7,175,091 B2.

Optically resolving proximity sensors, in particular in the form of so-called contact imaging sensors (CIS) are known from other fields of the art. Thus, by way of example, US 2008/0088731 A1 describes a thin image sensor in which an image of the object is
15 generated on an image sensor by means of a microlens array. US 2006/0202104 A1 describes a fingerprint sensor in which a projection onto a CCD/CMOS structure is likewise effected by means of a microlens array.

However, such code readers or image sensors have several disadvantages for use in
20 medical systems of the type described above. This is because many of said sensors, in particular owing to the use of microlens arrays, necessitate a comparatively large structural space. Moreover, the production outlay for microlens systems is considerable, and the resolution of such microlens systems is generally inadequate for very small optical codes such as are required on test strips, for example.

25 In this case, one particular problem is posed in particular by the illumination required for many code readers. Illumination through the medical consumable item, as is described in US 2006/0213994 A1, for example cannot be realized in numerous cases on account of the constitution of many consumable items, such as non-transparent test strips, for example. A
30 reflective illumination of the optical codes is also ruled out for many medical systems since the available structural space in the case of the known systems and illumination techniques, does not allow the area of the optical code to be sufficiently illuminated.

Object of the invention

35 Therefore, it is an object of the present invention to provide a medical system which at least substantially avoids the disadvantages of the medical systems described above. The

medical system is intended to enable a reliable, structural-space-saving and cost-effective exchange of information between at least one medical consumable item and a medical apparatus of the type described above.

5 Disclosure of the invention

This object is achieved by means of a medical system comprising the features of the independent claim. Advantageous developments of the information, which can be realized individually or in combination, are presented in the dependent claims.

10

The medical system comprises at least one medical apparatus for carrying out at least one medical function. As set out above, said medical function can be any desired function usually required in the field of medicine or medical technology, in particular a diagnostic and/or analytical function and/or a therapeutic function. In this case, a diagnostic function can be understood to be a function which is aimed at determining at least one medical state of a patient. An analytical function can be understood to be virtually any desired measurement function which is aimed at measuring one or more parameters, for example of a sample. A qualitative and/or quantitative detection of at least one analyte in a liquid, solid or gaseous sample can be mentioned here as an example. A therapeutic function can be understood to be a function which is directed at influencing a body state of a patient in a targeted manner. This influencing will generally be aimed at improving the body state, that is to say healing, for example. Other types of influencing are also possible, however, for example influencing for cosmetic reasons. Medications can be mentioned as examples of therapeutic functions, for example administrations of medicaments by injection. However, other types of therapeutic functions are also possible, in principle, for example acupressures and/or acupunctures. For further examples of medical apparatuses to which reference may also be made in the context of the present invention, reference may be made to the above description of the prior art. The medical apparatus can also carry out a plurality of such medical functions, for example combinations of diagnostic and therapeutic functions. In order to carry out this at least one medical function, the medical apparatus can be correspondingly configured by means of one or a plurality of mechanical devices and/or one or a plurality of electronic devices and/or one or a plurality of data processing devices, if appropriate designed in terms of program technology.

35 The medical apparatus is designed to interact with at least one consumable item in order to carry out the at least one medical function. In this case, an interaction should be understood to mean a functional interaction, which does not necessarily require a physical connection

between medical apparatus and consumable item. However, such a physical connection can nevertheless be provided, for example in the form of a mechanical and/or electrical connection. Thus, by way of example, the medical apparatus can comprise a holding device and/or a receptacle and/or a positioning device which receive and/or retain and/or
5 position the at least one medical consumable item.

In this case, the medical consumable item is intended to be designed to enable or at least to support the medical function of the medical apparatus. In other words, the consumable item can be designed to interact complementarily with the medical apparatus in order, for
10 example, to ensure the analytical and/or diagnostic and/or therapeutic function. In this case, the term "consumable item" should be understood to mean an item which can preferably be produced on an industrial scale. Said consumable item is intended to be exchangeable as desired, whereas the medical apparatus is generally suitable for multiple use. Thus, the consumable item can be provided, for example, for a single use or only for a
15 limited number of uses.

The medical apparatus furthermore comprises at least one code reader for reading out at least one information component of an optical code on the medical consumable item. In this case, an optical code should be understood to mean an information carrier which can
20 be read out by means of light in the visible and/or infrared and/or ultraviolet spectral range of the electromagnetic spectrum, in particular a two- and/or three-dimensional barcode. Alternatively or additionally, numerous other types of optical codes can also be realized, for example barcodes, gray-scale codes or similar types of optical codes or combination of the abovementioned and/or other types of codes. The optical code can be applied, for
25 example, on a surface of the medical consumable item, where a surface should analogously also be understood to mean that the optical code is covered by an at least partly optically transparent coating and can therefore still be wholly or partly optically read out. At all events, the optical code is intended to be able to be read out externally by means of electromagnetic radiation having a suitable wavelength.

30 The code reader of the medical apparatus comprises at least one optical multi-channel evaluation unit, which is referred to hereinafter as image sensor for short. The image sensor comprises a plurality of sensors. These sensors, which can be arranged for example in a one- or two-dimensional fashion, for example in a one- or two-dimensional sensor
35 array, are intended to be suitable for recording optical signals.

Alongside the image sensor, the code reader furthermore comprises at least one light-optical fiber plate. In this case, a light-optical fiber plate should be understood to mean an element which comprises a plurality of optical fibers, which are preferably all oriented parallel or substantially parallel. In this case, "substantially parallel" can, however, also be understood to include orientations that deviate from parallelism, for example by not more than 20°. In this case, in the context of the present invention, an optical fiber should be understood to mean an element which is transparent to light in the visible and/or infrared and/or ultraviolet spectral range and which acts as an optical waveguide in particular on account of total internal reflection. The light-optical fiber plate can comprise such optical fibers as a bundle, for example, wherein the optical fibers are fused, potted or adhesively bonded to one another, for example.

Preferably, said optical fibers are arranged in the light-optical fiber plate in such a way that they are arranged as densest packing at least in one dimension, such that the structural space is utilized to a highest possible degree by the light-optical fibers. Thus, by way of example, fibers having a round cross section can be arranged in a hexagonal arrangement. Other arrangements are also possible, however. The light-optical fiber plate can be configured as a planar plate, for example, that is to say as a disk-shaped element having a predefined thickness, which element has a lateral extent that is preferably greater than the thickness of this fiber plate. By way of example, a plate having a polygonal, round or other cross section can be involved.

The special feature of such light-optical fiber plates is that they transport light from one side of the light-optical fiber plate, preferably a first plane of the light-optical fiber plate, to a second side of the light-optical fiber plate, preferably to a second plane of the light-optical fiber plate, without appreciably changing the image in this case. Each end of a light-optical fiber acts at least approximately as a point light source which substantially reproduces the light conditions at its opposite end.

In this case, the code reader is constructed in such a way that the light-optical fiber plate is arranged in such a way that an image of the optical code is guided to the image sensor. The light-optical fiber plate is therefore arranged between the image sensor and the optical code, such that the optical code is transferred through the light-optical fiber plate as it were from that plane of the light-optical fiber plate which is adjacent to the optical code to the opposite plane of said light-optical fiber plate, in order to be recorded there by the image sensor.

In this case, the image sensor and the light-optical fiber plate can form one unit, which can also be configured in a very compact fashion. Thus, the image sensor and the light-optical fiber plate can be connected to one another to form the unit by means of a mechanical and/or positively locking and/or force-locking connection, for example. Image sensor and light-optical fiber plate, in particular the unit formed from these elements, can jointly have a thickness of less than 5 mm.

The sensors of the image sensor can form a linear arrangement, that is to say a one-dimensional arrangement, or else a two-dimensional arrangement, for example a matrix arrangement. In particular, the image sensor can comprise one or more of the following sensors: a CCD sensor, in particular a CCD array; a CMOS sensor, in particular a CMOS array, a photodiode sensor, in particular a photodiode array; an organic photodetector, in particular an organic photodiode, in particular an array of such organic photodetectors. In principle, however, it is also possible to use other types of imaging sensors which are based on other physical principles, or combinations of the abovementioned and/or further imaging sensors.

It is particularly preferred if the light-optical fiber plate is applied directly to the image sensor. Generally, it is particularly preferred if the distance between the image sensor and the light-optical fiber plate is less than a distance between adjacent sensors of the image sensor. Since the light-optical fiber plate, on its side facing the image sensor, substantially identically reproduces the light conditions on its side remote from the image sensor, this arrangement is tantamount to an arrangement in which the image sensor bears substantially directly on the code. In contrast to the latter arrangement, however, the light-optical fiber plate, as will be explained in greater detail below, affords the possibility of bringing about coupling-in of light through the light-optical fiber plate, such that the code can be efficiently illuminated.

In principle, the light-optical fiber plate can be produced from any desired transparent material. In particular, plastics materials and/or glasses can be used. These can also be configured in a core-cladding structure, wherein, by way of example, the claddings of the individual optical fibers are fused or adhesively bonded to one another and form a common matrix of the light-optical fiber plate into which the actual fiber cores are embedded. It is particularly preferred if the optical fibers and/or the cores thereof which are embedded in the optical fiber plate have a diameter of less than 100 μm , preferably 80 μm or less.

The code reader can furthermore have at least one illumination device, that is to say a device which is configured for illuminating the optical code of the consumable item. Preferably, this illumination is effected on one side, from the same side on which the image sensor is also provided. In this case, in contrast to transillumination devices, the entire code reader can be configured in a very compact fashion, wherein the medical consumable item has to be led to the code reader only on one side. This illumination from the detector side, that is to say from the side of the image sensor, thus affords advantages with regard to the structural space. These advantages, as described above, are supported by the use of the light-optical fiber plate since an illumination through the light-optical fiber plate can be effected without adversely affecting the quality of the image recording of the code or the structural space requirement. Alternatively or additionally, other types of illumination are also possible, however.

The illumination device can correspondingly comprise at least one light source, which can be arranged in various ways. A plurality of light sources having different arrangements and/or different spectral properties can also be provided. Thus, firstly, the light source, as known from the prior art, can be used as a transmitted-light light source and can be designed to transilluminate the medical consumable item in the region of the optical code. In this case, the consumable item, in this region, should be at least partly transparent to the wavelength used or be able to transport at least the light of the light source at least partly to the optical code. Various exemplary embodiments of such medical consumable items or of carrier materials which satisfy these requirements will be described below. Alternatively or additionally, however, as will be explained in greater detail below, a light source for illumination on one side is also possible and preferred in the context of the present invention.

As set out above, light having a wavelength in the visible and/or infrared and/or ultraviolet spectral range can be used for the illumination. The spectral range in the range of between 300 nm and 3000 nm is appropriate, in particular. Suitable light sources can be used for this purpose, in particular one or a plurality of light-emitting diodes on an inorganic and/or organic semiconductor basis, in particular also as light-emitting diode arrays. Other types of light sources can also be used, for example lasers, in particular semiconductor lasers.

The illumination device can be configured as a monochromatic illumination device, but can also be designed to illuminate the medical consumable item with light having different wavelengths. In this case, "different wavelengths" should be understood to mean spectral properties in the case of which the spectral profile of the light at least does not completely

correspond, for example by virtue of the peak wavelengths differing from one another. In particular, the illumination device can be designed to illuminate the medical consumable item, in particular the optical code there, simultaneously or else sequentially, i.e. at different points in time, with light having different wavelengths. However, simultaneous
5 illumination with light having different wavelengths is also possible, in principle, for example in association with a corresponding spectral separation by the image sensor and/or some other wavelength-selective element, for example one or more filters and/or one or more dichroic mirrors. Various configurations are possible.

10 Furthermore, alternatively or additionally, the code reader can also be designed to carry out a challenge-response scheme. Thus, the code reader can be designed, for example, to record the image of the optical code in a time-delayed manner with respect to an illumination by the illumination device. Thus, by way of example, a circuit can be provided in which a signal recording by the image sensor only begins if the illumination by
15 the light source is switched off. By way of example, a pulsed scheme can be used, with an excitation pulse of, for example, less than 100 μ sec. A measurement can then be begun in a manner offset by a temporal offset, for example of 200 μ sec, after the end of the excitation pulse. Such a challenge-response pulsed scheme can be used, in particular, in the case of luminescent codes, for example in the case of codes which comprise one or a plurality of
20 modules having fluorescent and/or phosphorescent media, e.g. from the group of the complexes of rare earths such as europium, for example.

As explained above, the illumination by the illumination device can be effected on one side, in particular, that is to say that the illumination is effected from the same side of the
25 medical consumable item as the observation by means of the light-optical fiber plate and the image sensor. This can be realized in various ways. In particular, the illumination can be effected through the light-optical fiber plate. By way of example, this can be realized by the light-optical fiber plate being illuminated by at least one light source of the illumination device from the side, that is to say for example at 90° with respect to the orientation of the
30 optical fibers in the light-optical fiber plate or at an angle which preferably deviates from a right angle by not more than 20-30°.

Alternatively or additionally, however, the illumination can also be effected substantially parallel to the optical fibers of the light-optical fiber plate. This can be done, for example,
35 by illumination being effected laterally past the image sensor through the light-optical fiber plate. Alternatively or additionally, however, illumination can also be effected through the image sensor, such that the excitation light penetrates through the image sensor first of all

and then the light-optical fiber plate. This can be done, for example, when the image sensor is at least partly transparent to the employed excitation light of the light source of the illumination device. For this purpose, by way of example, corresponding openings can be provided in the image sensor, through which openings the excitation light can pass in order then to reach the medical consumable item and the code through the light-optical fiber plate. Alternatively or additionally, however, the material of the image sensor itself can also be at least partly transparent to the excitation light. By way of example, the image sensor can have a semiconductor material (e.g. silicon) having a band gap, wherein the light source is designed to emit light having a lower energy than the band gap. In other words, the image sensor is designed in such a way that it substantially does not absorb the excitation light of the light source or absorbs it only to an insignificant extent, for example to an extent of not more than 20%. In the case of silicon, this can be done, for example, by using light having a wavelength of more than 1000 nm. If the energy of this excitation light does not suffice for reading out or adequately illuminating the optical code, then the optical code can comprise corresponding light converters which, by way of example, generate shorter-wave photons from the longer-wave photons of the excitation light of the light source, for example in the context of multiphoton processes.

As an alternative or in addition to an illumination through the light-optical fiber plate, however, the illumination device can also be designed to illuminate the optical code from the side, that is to say preferably substantially perpendicularly to a viewing direction of the light-optical fiber plate. This can be effected, for example, through a carrier material of the medical consumable item in the region of the optical code, for example once again through a carrier material that conducts the excitation light of the light source of the illumination device or is transparent to said excitation light.

Alternatively or additionally, there is furthermore, as explained above, of course also the possibility of illuminating the medical consumable item at least in the region of the optical code from the rear side, that is to say from the side remote from the light-optical fiber plate and the image sensor. In this case, an at least partly transparent or light-conducting carrier material is preferred in this region of the medical consumable item. This type of illumination, which can be used as an alternative or in addition to the other types of illumination, can predominantly be utilized for an absorptive detection of the optical code, but also for a luminescence detection, for example.

The image sensor can furthermore have at least two regions having a differing spectral sensitivity. By way of example, the image sensor can comprise different sensors having a

differing spectral sensitivity. In this way, by way of example, a plurality of light wavelengths which are reflected or emitted or emerge in some other way from the optical code can be utilized for detection. By way of example, these different sensitivities can be achieved by means of intrinsically different sensitivities of the sensors, or it is possible to use one or more filters for producing these different spectral sensitivities. Generally, the code reader can have at least one optical filter, in particular a cut-off filter and/or an interference filter.

The optical code of the medical consumable item can be composed, in particular, of a plurality of optically readable modules as smallest information unit. This smallest information unit can correspond to a "bit" for example. As described above, the code can be constructed in a one- or two-dimensional fashion, for example, such that a module in one or two dimensions constitutes the smallest unit to be resolved by the code reader.

It is particularly preferred if at least three optical fibers are provided per module in each dimension which is utilized for representing information components. In the case of a two-dimensional code, therefore, preferably at least nine fibers should be provided per module. The modules can have, in the case of a one-dimensional code, for example, a line form, wherein the minimum line width of the lines used corresponds to the width of a module. In the case of a two-dimensional code, the modules can be configured for example as round or rectangular, in particular square, wherein the smallest edge length of a square corresponds to the dimension of a module. By way of example, modules having a width of 300 μm can be used.

In this case, the light-optical fiber plate is preferably configured and positioned relative to the optical code in such a way that said light-optical fiber plate provides a sufficient resolution for reading out the optical code. This can be ensured, in particular, by the medical apparatus and/or the code reader and the medical consumable item being positioned with respect to one another in such a way that a distance between the light-optical fiber plate and the optical code is less than a distance between the midpoints of adjacent modules of the code. In other words, the average free path length which has to be covered by photons from the modules of the code to the light-optical fiber plate is intended to be less than the distance between the midpoints of adjacent modules, that is to say the dimensions of the optical code which are to be resolved.

Generally, the medical system can comprise a positioning device. Said positioning device can be designed to position the consumable item and the medical apparatus relative to one

another, for example to enable optimum reading of the optical code. By way of example, the positioning device can be designed to position the medical apparatus and the consumable item relative to one another in such a way that, in a read position, the above-described condition with regard to the distance between the light-optical fiber plate and the optical code and the distance between the midpoints of adjacent modules of the code is met. Alternatively or additionally, the positioning device can also be designed, for example, always to ensure a constant distance between the consumable item and the light-optical fiber plate, including an optional tolerance range for incorrect positioning, for example.

10

By way of example, the positioning device can be designed always to ensure a certain minimum distance between the light-optical fiber plate and the consumable item. This can be advantageous in particular in the case of test elements, such as test strips, for example, which can be inserted in particular into the medical apparatus. If insertion takes place with an excessively small distance between the test element and the light-optical fiber plate, then this can lead for example to damage (for example wear and/or scratching) of the light-optical fiber plate and/or to contamination thereof, for example by blood clinging to the test element. This can be prevented by means of a suitable configuration of the positioning device.

20

Thus, the positioning device can comprise, for example, at least one spacer which always ensures a minimum distance between the medical consumable item, for example the test element, and the code reader, for example the light-optical fiber plate of the code reader. Said spacer can comprise, for example, at least one rail (in particular a spacer rail), at least one attachment, at least one guide, at least one spacer lamina and/or at least one spacer ring or else combinations of the abovementioned elements and/or further elements.

In order, on the other hand, to ensure that the distance between the medical consumable item and the code reader, in particular the light-optical fiber plate, does not exceed a maximum distance, oppositely acting elements can be provided in the positioning device. Thus, the positioning device can comprise, for example, at least one press-on element which applies to the medical consumable item a force acting in the direction of the code reader. By way of example, the press-on element can be configured for pressing the consumable item against the spacer described above. Alternatively or additionally, an opposite application of force is also possible, that is to say an application of force wherein the press-on element has the effect that the code reader is pressed wholly or partly against the medical consumable item. Thus, by way of example, the light-optical fiber plate and/or

35

a unit comprising the light-optical fiber plate and the image sensor can be pressed against the consumable item by the press-on element. Generally, the press-on element can comprise, for example, one or more spring elements, one or more elements of elastic materials or similar elements which are usually used for an application of force.

5

The positioning device can be, for example, a constituent part of the medical apparatus. The positioning device can be adapted to the type of medical apparatus and/or the type of medical consumable item and comprise different types of mechanical devices. By way of example, the positioning device can comprise holding devices in order to retain the medical consumable item on and/or in the medical apparatus in such a way that the medical consumable item is positioned in the read position, whilst complying with the condition described above. By way of example, the positioning device can correspondingly comprise at least one rail for introducing the medical consumable item, for example a test element. The positioning can also be a lateral positioning, that is to say for example a positioning in a plane perpendicular to the connection between image sensor and consumable item. Alternatively or additionally, the positioning device can also comprise a bearing area on which or at which the medical consumable item can be placed or laid such that the consumable item is positioned in the read position.

20 The code reader can be designed in such a way that the optical code is completely imaged in an active sensor surface of the image sensor. This can be effected, in particular if the light-optical fiber plate does not have a magnifying or demagnifying effect, for example by the active sensor surface of the image sensor being at least exactly the same size as the area of the optical code. Alternatively or additionally, however, the light-optical fiber plate can also have a magnifying or demagnifying effect, such that the image of the optical code which is generated by the optical fiber plate on the side facing the image sensor is larger or smaller than the actual optical code.

30 Alternatively, it is also possible for only a part of the image of the optical code to be imaged on the image sensor. By way of example, once again in this case the image sensor with its active area can be smaller than the optical code, or it is possible to implement a magnifying or demagnifying effect by the light-optical fiber plate which brings this about. In this case, the image sensor records only a partial region of the optical code. The optical code can comprise repeating, at least partly redundant information components. By way of example, the optical code can comprise repeating bit patterns or patterns of modules, wherein these repeating bit patterns or patterns of modules can be designed in such a way

35

that at least one of said bit patterns or module patterns is completely imaged onto the active sensor surface of the image sensor.

Further preferred developments of the invention concern the configuration of the medical consumable item, at least in the region of the code. Thus, the code and/or the optically readable modules of the code can be applied to the medical consumable item in particular by means of one or more of the following methods: a printing method onto a surface of the medical consumable item; a laser-induced dye conversion method; a mechanical deformation of a surface of the medical consumable item or of the medical consumable item itself. However, other methods can also be used, in principle, such as, for example, mechanical ablation methods, ablation also by laser processing, implantation methods, photolithography or similar methods.

The medical consumable item can comprise, in the region of the optical code, a carrier material having transparent and/or light-scattering properties. This means that the carrier material should be at least partly transparent and/or light-scattering in particular for light of at least one light source of the illumination device.

The optical code itself, for example the modules of the optical code, can also be wholly or partly designed to interact differently with light having different wavelengths. In particular, it is correspondingly possible to use materials for the optical code or the modules which have, for example, different excitation wavelengths, different absorption properties, different scattering properties or optical properties that are different in some other way for excitation light of the illumination device.

The optical code can interact with light in various ways. Thus, the optical code can have, for example, at least partly luminescent properties, that is to say for example phosphorescent and fluorescent properties. For this purpose, the optical code, in particular the modules of the optical code, can preferably have corresponding dyes, pigments, phosphors or the like. Alternatively or additionally, the optical code, in particular the modules of the optical code, can comprise at least one light converter which is designed to convert an excitation light, for example an excitation light of the illumination device, and/or ambient light, into a light having a different wavelength than the excitation light. In other words, the light converter can comprise, for example, an up-converter or a down-converter, that is to say a converter which can convert light into higher-energy light or lower-energy light. Said light converter can, for example, in turn be present in the form of a dye, a pigment, a phosphor or in a similar form. In this way, by way of example, an

excitation of the light converter can be effected by means of a corresponding excitation light, and this excitation can be detected by the code reader and/or the image sensor in order to read out the information of the code.

5 Further preferred developments concern the surroundings of the code, that is to say the region of the medical consumable item in which the optical code is applied. Thus, the medical consumable item can comprise in this region, for example, a carrier material having diffusely light-conducting and/or transparent properties, in particular for excitation light, for example excitation light of the illumination device. In particular, the carrier material can comprise a polyester, for example Melinex. The carrier material, in particular the polyester, can furthermore also be doped, for example with titanium dioxide. As a result, by way of example, a substantially white overall impression of the carrier material can arise, wherein the carrier material nevertheless has diffusely light-scattering properties. By way of example, a uniform illumination of the code can be ensured in this way.

15 Similarly to the possible configuration of the code and/or the modules of the code, the medical consumable item can also comprise, in the region of the optical code, a carrier having a carrier material, wherein the carrier can furthermore comprise at least one light converter in this region. Said light converter, which can in turn be an up-converter and/or a down-converter in accordance with the above description, can be designed, in particular, to convert excitation light into a light having a different wavelength. The light converter can be distributed uniformly in the carrier material, for example, such that light having the different wavelength than the excitation light illuminates the optical code substantially uniformly. In this case, "substantially uniformly" can be understood to mean an isotropic illumination in which the illumination of the code deviates from a uniform illumination by less than 20%.

Further preferred configurations of the invention concern the configuration of the medical apparatus and/or of the medical consumable item. For this purpose, in particular the medical systems mentioned in the description of the prior art are appropriate as preferred configurations. Thus, the medical apparatus can comprise, for example, an analysis apparatus for detecting at least one analyte in a sample, for example a liquid sample, in particular a body fluid. In particular metabolites in the body fluid, for example glucose, cholesterol and/or similar metabolites, are appropriate as analyte. A detection of coagulation is also possible, by way of example. The analysis apparatus can then be designed to interact with a medical consumable item in the form of at least one test element, in particular a test strip and/or a test tape. In this case, an individual test strip can

be understood as a medical consumable item, or else, as explained above, a plurality of test strips and/or test tapes which, for example, can be accommodated in a corresponding magazine or a housing. In the latter case, the magazine and/or the housing can also correspondingly be provided with the optical code.

5

Alternatively or additionally, the medical system can also comprise a metering device for metering at least one medicament, in particular a medication pump, for example an insulin pump. In this case, the consumable item can comprise, for example, a catheter and/or a cannula (both terms are used synonymously in the following description) with which the metering device interacts. The medical system can correspondingly be configured, for example, as a so-called "infusion set". Since catheters are usually supplied in a manner filled with air, it is necessary, before application on and/or in the body, to carry out flushing with a medical liquid, such as an insulin infusion, for example, in order at least substantially to displace the air from the catheter. The filling volume specific to the respective catheter can be entered manually into the metering device, for example the metering pump, such that a corresponding metering for flushing through the catheter is effected. This flushing process is referred to as "priming". However, as explained above, the manual entry of the priming parameters is fraught with risk since this manual entry can, for example, take place erroneously or not at all. Therefore, automatic priming ("auto-priming"), as disclosed in WO 2007/128144, for example, should be preferred. According to the invention, therefore, the code reader can be designed and utilized for reading out at least one information component concerning a filling volume of the catheter from the optical code, which can be applied, for example, on the catheter or a packaging of the catheter. The auto-priming can be considerably simplified in this way.

25

Generally and independently of the remaining configuration of the medical system, the information read out from the optical code by the code reader can comprise a multiplicity of possible information components. By way of example, but not exhaustively, the information can comprise a batch-specific information component concerning the medical consumable item. In this case, a batch-specific information component should be understood to mean an information component which can generally change from medical consumable item to medical consumable item. By way of example, this information component can comprise an information component concerning a batch, an information component concerning batch-specific special features of the medical consumable item, an information component concerning a manufacturer, a number (for example a serial number), a production parameter, an information component concerning the manner in which the functionality of the medical apparatus is to be adapted to the specific batch of

35

the medical consumable item, or the like. Alternatively or additionally, a batch number of the medical consumable item can be encompassed. Furthermore, likewise alternatively or additionally, at least one mathematical parameter and/or parameter set can be encompassed which is required by the medical apparatus for a correct interaction between the medical apparatus and the medical consumable item. Furthermore, likewise alternatively or additionally, a date and/or an expiration date can be encompassed. Moreover, likewise alternatively or additionally, an instruction to a user of the medical system can be encompassed, for example an information component concerning what type of medical consumable items is actually used and/or how this medical consumable item is to be handled. This instruction can also be issued to the user for example by means of an indicator device of the medical apparatus, for example a visual and/or acoustic indicator device. Furthermore, likewise alternatively or additionally, a manufacturer information component can be encompassed, such that, by way of example, protection against counterfeiting can also be implemented by means of the medical system. In this way it is possible, by way of example, to prevent the use of counterfeit medical consumable items, that is to say medical consumable items originating from non-authorized manufacturers, which can result in fatal consequences. In this case, the medical system can, for example, in turn be designed to inform a user of the medical system about the manufacturer and/or about the fact that a counterfeit is present, and/or to implement other suitable measures, for example a disabling of one or more functionalities and/or a documentation of the use of the counterfeit consumable item. Furthermore, the information, likewise alternatively or additionally, can also comprise a calibration information component, wherein a calibration information component should generally be understood to mean information components concerning how, for example, measurement results obtained by the medical apparatus by means of the medical consumable item (for example a test element) are to be evaluated. In this case, too, batch-specific differences can again be taken into account.

The medical apparatus can be configured, in particular, as a handheld apparatus, that is to say as an apparatus which a user can hold by hand without the aid of transport devices. In this case, the low weight and the compactness of the code reader user become apparent in a particularly advantageous manner. The handheld apparatus can also comprise at least one electrical energy store, in particular a battery and/or a rechargeable battery.

In accordance with the type of medical system, the medical consumable item can be configured in many different ways. It is also possible for a plurality of different types of medical consumable items to interact with the medical system, wherein different code readers can be used for the optical codes of the different consumable items, or wherein one

and the same code reader can also be used for the different types of medical consumable items.

Thus, the medical system can comprise at least one medical consumable item having at least one optical code which can be read out by the code reader, wherein the medical consumable item can comprise, for example, one or more of the following consumable items: a test element for detecting at least one analyte in a sample, in particular a test strip or a test tape; a magazine for receiving at least one test element for detecting at least one analyte in a sample, in particular a test strip or a test tape; a lancet for producing an opening in a surface of a patient's skin; a magazine for receiving at least one lancet for producing an opening in a surface of a patient's skin; a medicament packaging, in particular an insulin cartridge; a catheter and/or a cannula.

Thus, the medical consumable item can comprise, for example, a test element, in particular a test strip and/or a test tape and/or a test wheel and/or a foldable test element, for detecting at least one analyte in a sample. Reference may be made to the above description of the prior art by way of example. As set out above, the test element can conduct a quantitative and/or qualitative detection of the analyte for example by means of an optical test and/or an electrochemical test. As an alternative or in addition to individual test elements, magazines for receiving at least one test element of this type can also be provided, wherein the magazines can also be coded as consumable items.

As an alternative or in addition to test elements, the medical consumable item can, for example, also comprise a lancet for producing an opening in a surface of a patient's skin or a magazine for receiving at least one lancet of this type. Furthermore, the medical consumable item can comprise a medicament packaging, in particular a packaging for liquid medicaments. By way of example, said medicament packaging can comprise an insulin cartridge. Furthermore, as set out above, the medical consumable item can comprise a catheter, for example.

The medical system in accordance with one or more of the advantageous embodiments described above has a multiplicity of advantages over known medical systems of this type. Mention has already been made of, in particular, the compactness and the configuration of the system with a low weight, which becomes apparent in an advantageous manner in particular in the case of handheld apparatuses. Thus, for the code reader, for example, it is possible to achieve a structural size of 1 cubic centimeter or less.

Furthermore, the solution according to the invention is also suitable for a large information depth. The suitability is optimal, for example, for information components of 20 to 100 bits. By way of example, it is possible to use information components of 40 bits of useful information and 40 bits of check and redundancy information, that is to say a total of 80 bits. In this case, the area of the optical code can be 10 to 100 mm², for example. As a result, it is firstly possible, as mentioned above, to realize or use code readers of small design. Furthermore, the requirements made of the technology with which the optical code is applied, for example the printing technology and/or the other application methods mentioned above, are thereby reduced, which, for example, also enables more cost-effective production.

The illumination of the optical code can be effected by a very short route and nevertheless ensure a sufficient homogeneity of the illumination. In this way, a reliable read-out of the code can be ensured, which contributes overall to the operational and handling reliability of the medical system. The medical apparatus can comprise one or more controllers, for example one or more data processing apparatuses, which effect conversion of an image of the complete or partial optical code recorded by the image sensor into the corresponding information component, such that this information component of the optical code can be read out. The controller can be integrated in the code reader, or can also be combined wholly or partly with other controllers of the medical apparatus, for example with a central controller present anyway in many medical apparatuses, such as glucose measuring apparatuses, for example. In particular, illumination and evaluation functions can also be integrated into a single module, for example a single module of the code reader. This single module can then be brought very close to the medical consumable item, in particular the optical code thereof, such that not only the code reader itself but also the code reader including the optical code, on the medical consumable item, occupies a comparatively small structural space, for example a structural space of approximately 1 cubic centimeter.

The code reader preferably manages completely without imaging systems, that is to say without lens systems, in particular microlens systems, or without curved mirrors, or the like. Such imaging systems can be completely dispensed with by virtue of the use of the light-optical fiber plate, since, by means of the light-optical fiber plate, the image sensor can be placed preferably directly virtually onto the optical code. This, too, contributes considerably to reducing the structural space.

The possibility of the above-described temporally resolved measurement, for example by means of a challenge-response pulsed scheme, enables a measurement even in the case of

unfavorable light conditions. Thus, by way of example, by means of said pulsed scheme, using a pulse and the measurement of the persistent light, it is possible to improve the ratio of useful signal and noise signal since, by way of example, the problem of a stray light background is reduced. The signal quality and the reliability of the information read out are
5 thereby improved.

Furthermore, the medical system is substantially indifferent to the type of coded information. As explained above, this information can comprise a batch-specific information component, for example. The coded information can be, for example, binary-
10 coded, in particular two-dimensionally. The high spatial resolution makes it possible to ensure a high storage density of the information in the optical code.

As explained above, the evaluation of the optical code by means of the code reader can also have recourse to complex measurement schemes. Thus, as set out, it is possible to use
15 temporally resolved measurement schemes, for example. Alternatively or additionally, it is possible to use wavelength-selective measurement schemes, for example using a plurality of excitation wavelengths, using a plurality of excitation wavelengths, using a plurality of response wavelengths coming from the optical code or the modules, or by means of combinations of these methods. Alternatively or additionally, the code can also be obtained
20 by means of a mechanical configuration, for example by means of a flat, deformed, hollow or similar mechanical configuration of a surface of the medical consumable item in the region of the optical code.

Furthermore, the medical system, in particular the code reader of this medical system, has
25 a high flexibility with regard to the illumination of the optical code. As explained above, by way of example, an illumination device can be used for this illumination. Alternatively or additionally, light sources present in a different way can also be utilized, for example ambient light. By way of example, the illumination can be effected wholly or partly through the medical consumable item, diffusely within the consumable item, diffusely
30 through the light-optical fiber plate, from the side of the light-optical fiber plate, through the light-optical fiber plate, through the image sensor or by means of a combination of the abovementioned types of illumination or other types of illumination.

It has been described above, in one embodiment of the medical system, that an illumination
35 can also be effected through the image sensor. As is immediately clear to the person skilled in the art, this configuration of an illumination through the image sensor can also be applied to other medical systems or other medical apparatuses in which a combination of

an image sensor with an illumination device is provided. In this case, these medical systems or medical apparatuses need not necessarily comprise a code reader or a light-optical fiber plate.

5 Alongside medical systems and medical apparatuses comprising code readers, medical apparatuses in which a test element, for example, is evaluated by means of the image sensor can be mentioned by way of example here. For example, said test element can comprise at least one test field, with at least one test chemical which is suitable for a qualitative and/or quantitative detection of at least one analyte in a sample, for example a
10 body fluid. Such test elements are sufficiently known as test strips, for example, from the prior art. These can also be evaluated by means of one or a plurality of image sensors. By way of example, the at least one test field can change a color or some other optical detectable property when the at least one analyte is present. Additionally in this case or in
15 other cases, an illumination of the article viewed by the image sensor, whether it be a barcode, a test field or some other type of article, is therefore generally necessary here. Without restricting further possible types of the interaction of the light with the article, which interaction can be of reflective type, transmissive type or exciting type, for example, the light applied to the article is referred to hereinafter as excitation light.

20 Therefore, a medical apparatus for carrying out at least one medical function is proposed in a further aspect of the present invention. For the possible configuration of this medical function or the configuration of the medical apparatus, reference may be made to the above description by way of example. In particular, the medical apparatus can be used in a medical system in accordance with one or more of the configurations described above.
25 However, other fields of use are also possible, in principle.

The medical apparatus comprises at least one image sensor having a plurality of sensors. Furthermore, the medical apparatus comprises at least one illumination device, which, for its part, has at least one light source. The light source is designed to illuminate at least one
30 article, in particular a medical consumable item, through the image sensor.

As explained above, the at least one article can be configured in various ways. By way of example, it can be a medical consumable item, in particular a medical consumable item having at least one barcode. Alternatively or additionally, however, the article can also be
35 at least one test element with at least one test field which is designed for detecting at least one analyte in a sample, in particular for detecting at least one analyte in a body fluid. Various configurations are possible.

The illumination of the article through the image sensor can be realized in various ways, wherein reference may once again be made by way of example to the above description of the medical system and there in particular to the description of the image sensor and/or of the illumination device. However, other configurations are also possible. Thus, by way of example, the image sensor itself can be at least partly transparent to an excitation light of the light source. The image sensor can have a plurality of openings through which excitation light of the light source can pass. Alternatively or additionally, the image sensor can have a material which is at least partly transparent to excitation light of the light source. The image sensor can have, in particular, a semiconductor material having a band gap, wherein the light source is designed to emit light having a lower energy than the band gap.

Independently of the use of the light-optical fiber plate, therefore, the illumination of the article through the image sensor affords the possibility of achieving firstly a sufficient and preferably as far as possible homogeneous illumination of the article or at least of a relevant region of the article, for example of a test field.

Exemplary embodiments

Further details and features of the invention will become apparent from the following description of preferred exemplary embodiments in conjunction with the dependent claims. In this case, the respective features can be realized by themselves or as a plurality in combination with one another. The invention is not restricted to the exemplary embodiments. The exemplary embodiments are illustrated schematically in the figures. In this case, identical reference numerals in the individual figures designate identical or functionally identical elements or elements which correspond to one another with regard to their functions.

Specifically, in the figures:

- | | |
|----------|---|
| figure 1 | shows a first exemplary embodiment of a medical system according to the invention with a blood glucose measuring apparatus; |
| figure 2 | shows a second exemplary embodiment of a medical system with an insulin pump and an infusion set; |

- figure 3 shows a schematic construction of a conventional barcode reader;
- figure 4 shows a first exemplary embodiment of a code reader according to the invention with a transmitted-light illumination;
- 5 figures 5A and 5B show different detail illustrations of the light-optical fiber plate used in figure 4;
- figure 6 shows a second exemplary embodiment – alternative to figure 4 – of a code reader with coupling-in of light into the light-optical fiber plate from the side;
- 10 figure 7 shows an exemplary embodiment of the code reader with coupling-in of light into a test strip in the case of an absorbent optical code;
- 15 figure 8 shows an exemplary embodiment of a code reader with coupling-in of light into a test strip in the case of an fluorescent optical code;
- figures 9A and 9B show exemplary embodiments of a code reader with coupling-in of light through an image sensor;
- 20 figure 10 shows an exemplary embodiment of a redundant optical code;
- figure 11 shows an exemplary embodiment of a possible temporally resolved measurement scheme; and
- 25 figure 12 shows an exemplary embodiment of a code reader with a positioning device.
- 30 Figures 1 and 2 illustrate by way of example two different embodiments of medical systems 110 according to the present invention. These medical systems 110 each comprise a medical apparatus 112, which is the actual function carrier of a main function of the medical system 110. In this case, by way of example, in the exemplary embodiment in figure 1, the medical apparatus 112 is configured as a blood sugar measuring apparatus 35 114, whereas the medical apparatus 112 in the exemplary embodiment in accordance with figure 2 is configured as an insulin pump 116. The medical apparatus 112 can be configured, in particular, for enabling an interaction with a user. By way of example, the

possibility of operating mechanical and/or electrical functions of the medical apparatus 112 can be made possible for a user by input means 118. Furthermore, output means 120 can be provided, for example one or more displays, which enable, for example, measurement values, set parameters or other information to a user. The medical apparatus 112 can therefore constitute the actual “interface” of the medical system 110 in relation to the user.

In addition, the medical system 110 comprises one or more medical consumable items 122. In the case of the medical system illustrated in figure 1, the blood sugar measuring apparatus 114 interacts for example with test elements 124, which are shown by way of example in two embodiments in figure 1. While the upper embodiment, designated by the reference numeral 126, shows a stiff test element having a flat, elongate shape, the lower embodiment in figure 1 shows a test strip 128. The blood sugar measuring apparatus 114 illustrated in figure 1 is generally designed for the use of test strips 128, but other types of test elements, for example the test element 126, can also be used.

Both test elements 124 have an application location 130, at which a sample of a body fluid can be applied to the test element 124. This can be effected when the test element 124 has been introduced into the blood sugar measuring apparatus 114, or else, in different systems, outside the blood sugar measuring apparatus. The blood sugar measuring apparatus 114 has an introduction opening 132, which simultaneously serves as a positioning device 134, in order, in the case where the test element 124 has been correctly inserted into the introduction opening 132, to enable an interaction of the blood sugar measuring apparatus 114 with the test element 124.

The evaluation of the sample applied to the application location 130 can be effected optically or electrochemically, for example. In the case of the test strip 128, electrode contacts 136, for example, are provided for this purpose, contact being made with said electrode contacts by the blood sugar measuring apparatus 114 when the test strip 128 has been inserted into the blood sugar measuring apparatus 114.

Since the test elements 124 can change from batch to batch, it is proposed to apply an optical code 138 on the test elements 124. In the exemplary embodiments illustrated, said optical code 138 is merely indicated symbolically and can be configured as a two-dimensional barcode, for example. The code can be a 35-bit code composed of 5×7 smallest units, for example. Said smallest units are also referred to as modules 140. These smallest units, which can be “white” or “black”, for example, in the embodiment illustrated, contain the actual information in binary form, for example. Alternative

configurations are also possible, for example by using intermediate levels between black and white, that is to say gray-level or corresponding color gradations. The terms black, white, gray and color are correspondingly analogously applicable in the entire wavelength range of 300-3000 nm.

5

As a counterpart to the optical code 138, the medical apparatus 112 in the form of the blood sugar measuring apparatus 114 comprises a code reader 142, which is merely indicated in figure 1. Said code reader 142 can be arranged, for example, in the vicinity of the introduction opening 132 within a housing of the blood sugar measuring apparatus 114, such that in a fixed position when the test element 124 has been inserted into the positioning device 134 (static measurement) or during the insertion of the test element (dynamically), the optical code 138 can be read out by the code reader 142. By way of example, said code reader 142 can be a code reader for 5×7 pixels. Exemplary embodiments of the code reader will be described in greater detail below:

10
15

In the case of the exemplary embodiment in accordance with figure 1, the test element 124 should be regarded directly as a medical consumable item 122, on which the optical code 138 is applied. Alternatively or additionally, however, the optical code 138 can also be arranged, for example, on a medical consumable item 122 in the form of a packaging of the test elements 124. In this case, the code reader 142 can be configured, for example, wholly or partly as a code reader which is fitted on an outer side of a housing of the blood sugar measuring apparatus 114 and which is designed, for example, to read out the optical code 138 on said packaging.

20

Three different embodiments of medical consumable items 122 are illustrated by way of example in the case of the medical system shown in figure 2. Thus, there is firstly the possibility of configuring an insulin cartridge 144 as a medical consumable item 122. In this case, too, an optical code 138 (not illustrated in figure 2) can be applied on said insulin cartridge 144. Alternatively or additionally, however, it is also possible to use a primary cartridge for an insulin supply, wherein insulin is transferred from said primary cartridge into the insulin cartridge 144. In this case, by way of example, the primary cartridge from which insulin is transferred into the insulin cartridge 144 itself or a packaging thereof can be coded with an optical code 138 and thus act as a medical consumable item 122.

25
30

In addition, figure 2 illustrates a medical consumable item 122 in the form of an infusion set 146. This infusion set 146 contains a hose cannula 148, which can be connected to an adapter 150 of the insulin pump 116, and also the actual cannula 152 for insertion into a

35

body tissue. As set out above, the filling volume of the entire infusion set 146 or of parts thereof constitutes an essential parameter required for the “priming” by the insulin pump 116. For this purpose, by way of example, on the infusion set 146 itself or on a packaging 154 thereof, which can likewise be regarded as a medical consumable item 122, it is once again possible to provide an optical code 138. This optical code can once again be read in by the insulin pump 116 by means of a code reader 142, such that the insulin pump 116 can utilize these information components concerning the filling volume for a priming process. Other types of information components can also be transmitted in this way. The code reader 142 is arranged symbolically at one end of a housing of the insulin pump 116 in figure 2 and can be placed onto the optical code 138 on the packaging 154 and/or the infusion set 146, for example, for the purpose of reading out the information.

Figure 3 schematically illustrates an example of a code reader 142 which corresponds to the prior art. The code reader 142 comprises an image sensor 156 having a plurality of individual sensors, which are not illustrated in a resolved fashion in figure 3. By way of example, these individual sensors can be arranged in a one-dimensional or two-dimensional fashion. The image sensor can be configured, for example, as an array of photodiodes, as a CCD chip, as a CMOS chip, as an organic photodetector (OPD), or in a similar manner. The image sensor 156 can be arranged, in particular, on a sensor circuit board 158.

Furthermore, the code reader 142 in accordance with the prior art comprises a light source 160, for example one or more light-emitting diodes. This light source 160 serves to illuminate the optical code 138 on the medical consumable item 122 with an illumination light 162. Depending on the type of interaction of said illumination light 162 with the optical code 138, said illumination light can also function as excitation light, where, independently of the type of interaction, both terms are used synonymously in the context of the present invention.

The optical code 138 illuminated in this way is imaged onto an active sensor surface 166 of the image sensor 156 by means of an imaging system 164, which is illustrated symbolically in the form of an individual lens in figure 3. This imaging is effected by means of imaging optical elements, such as lenses or lens systems, for example.

In the case of the code readers 142 corresponding to the prior art in accordance with figure 3, a considerable distance (designated by D in figure 3) is required between the code reader 142 or the electronic circuit board 158 and the medical consumable item 122. This

is owing, firstly, to the fact that the illumination light 162 has to impinge laterally on the surface of the optical code 138, wherein said surface has to be illuminated uniformly, and wherein the illumination light 162 must not be impeded by the imaging system 162. Furthermore, the minimum distance, which is generally quite a few millimeters, is concomitantly governed by the imaging system 164 since the latter has to satisfy the optical imaging laws. Moreover, the requirement of the imaging system 164 drives up the costs for the code reader 142 considerably. Overall, therefore, a code reader 142 in accordance with figure 3 is beset by some disadvantages in respect of cost aspects and in respect of structural space aspects for portable medical apparatuses 142, for example in accordance with figure 1 or 2.

Figure 4, by contrast, shows a first exemplary embodiment of a code reader 142 according to the invention. In the case of this code reader, a medical consumable item 122 is again used, which, hereinafter and without restricting possible further embodiments, is assumed to be a test strip 128.

In this exemplary embodiment, the test strip 128 comprises a carrier material 168, to which the optical code 138 is applied. In contrast to the exemplary embodiment in accordance with figure 3, however, in the case of the configuration according to the invention in accordance with figure 4, preferably no imaging system 164 whatsoever is used, rather the optical code 138 is located on a light-optical fiber plate 170 or is positioned directly in front of said fiber plate 170. This light-optical fiber plate 170 in turn is arranged directly above the image sensor 156 or is located on said image sensor 156, although optionally one or a plurality of intermediate layers can also be provided. The image sensor 156 is in turn arranged on a sensor circuit board 158, for example, and can be configured, for example, in the manner described in figure 3.

The carrier material 168 of the test strip 128 is wholly or partly produced from a material that is at least partly transparent to the illumination light 162. In this exemplary embodiment, the light source 160, which is a constituent part of an illumination device 172 with an optional illumination circuit board 174, is arranged on the rear side of the test strip 128, that is to say on that side of the test strip 128 which is remote from the optical code 138. The illumination light 162 penetrates through the carrier material 168 and interacts with the optical code 138. This can be effected in various ways. By way of example, the illumination light 162 can be absorbed by the material of the optical code 138, such that a shadow image arises. Alternatively or additionally, however, the material of the optical code 138 can also be configured as luminescent, for example fluorescent, and excite the

optical code to emit luminescent light. Once again alternatively or additionally, the illumination light 162 can also interact with the carrier material 168, for example a luminescence converter or dye which is taken up in said carrier material 168 and which generates a secondary illumination light 162, which in turn illuminates the optical code 138 from behind. This last can be used, for example, for making the illumination light 162 more uniform.

In each of the cases illustrated, an image of the optical code arises at the surface of the optical code 138, said image being perceptible. Said image of the optical code 138 is guided to the active sensor surface 166 of the image sensor 156 through the light-optical fiber plate 170.

Figures 5A and 5B illustrate by way of example, in a sectional illustration from the side and in a partial plan view, respectively, a light-optical fiber plate 170 on the basis of which the construction and the functional principle of such an element are intended to be elucidated. The light-optical fiber plate 170 comprises a multiplicity of optical fibers 176, which preferably, as can be discerned in figure 5B, are arranged with extremely dense packing alongside one another. These optical fibers 176 are fused or adhesively bonded to one another. In this case, the fiber cores 178 can preferably still be completely separated from one another and only be embedded in a common matrix 180. This matrix 180 can be composed, for example, of a cladding (fiber cladding) of the original individual optical fibers 176 in the interspaces between the fiber cores 178.

As can be discerned in figure 5A, the optical fibers 176 are preferably oriented at least substantially parallel to one another, wherein the orientation can be, for example, perpendicular to two surfaces 184, 186 of the light-optical fiber plate. These two surfaces comprise a code-side surface 184 and a sensor-side surface 186.

In contrast to an imaging system based on refraction of light at curved surfaces or at lens systems, the light-optical fiber plate 170 is based on transport of light from the code-side surface 184 to the sensor-side surface 186, or vice versa, by total internal reflection in the optical fibers 176. This means, however, that an article arranged directly in front of the code-side surface 184, for example the image of the optical code 138, is transported virtually through the light-optical fiber plate 170 in a simple manner to the sensor-side surface 186. This can be explained by the fact that a point emitter arranged directly in front of said code-side surface 184 is converted, by the optical fibers 176, into a virtual point emitter situated on the sensor-side surface 186. Since the image of the optical code 138, at

least conceptually, can be composed of such point emitters, this means that, if said image is arranged at the code-side surface 184 or directly in front of said code-side surface 184, it is converted virtually into an image on the sensor-side surface 186.

5 Figure 5A furthermore illustrates how a preferred spacing between optical code 138 and light-optical fiber plate 170 is configured. Thus, each optical code 138, as explained with reference to figure 1, has modules 140 as smallest optical units. The distance – designated by a_1 in figure 5A – between the light-optical fiber plate 170 or the code-side surface 184 thereof and the optical code 138 is preferably less than a distance – designated by a_2 in
10 figure 5A – between the midpoints of adjacent modules 140.

Furthermore, figure 5A also shows symbolically a preferred relation between the image sensor 156 and the configuration of the light-optical fiber plate 170. The image sensor 156 is composed, as described above, of a plurality of sensors 188, which, as indicated in
15 figure 5A, can be arranged for example linearly or in a two-dimensional matrix. The light-optical fiber plate 170 is preferably configured in such a way that at least three optical fibers 176 of this type are provided per sensor 188 of this type and per dimension. In the case of a two-dimensional arrangement, therefore, a minimum number of nine optical
20 fibers 176 is preferred. A further increase in the number of optical fibers 176 can lead to an improvement in the read-out quality. As explained above, the optical fibers 176 preferably have a diameter d (see figure 5B) of less than $100\ \mu\text{m}$.

The exemplary embodiment of the code reader 142 in accordance with figure 4 requires an arrangement of the illumination device 172 on a rear side of the medical consumable item
25 122. This can be realized for example when a test strip 128 has been inserted into a blood sugar measuring apparatus 114, since said test strip 128 can be inserted between the illumination device 172 and the sensor circuit board 158. In many cases this arrangement is disadvantageous, however, since the illumination device 172 and the sensor circuit board 158 are usually required to form one unit, for example an individual electronic assembly.
30 This can be realized only with difficulty with the arrangement in accordance with figure 4.

Figures 6 to 9 correspondingly illustrate embodiments of the code reader 142 which realize such a configuration and in which the illumination of the optical code 138 by the illumination device 172 is substantially effected from the same side of the medical
35 consumable item 122 as the detection by the image sensor 156.

Figure 6 shows an exemplary embodiment in which once again a light-optical fiber plate 170 bears directly or at only a small distance on the image sensor 156. Laterally with respect to the image sensor 156, light sources 160, for example once again light-emitting diodes, are provided at the edge of the light-optical fiber plate 170 and/or in cutouts thereof. Said light sources 160 radiate illumination light 162 laterally into the light-optical fiber plate 170, that is to say at least approximately perpendicularly to the longitudinal extent of the optical fibers 176 in the light-optical fiber plate 170 and hence to the observation direction of the image sensor 156. By way of example, said illumination light 162 can penetrate through the cladding 182 and/or the matrix 180 of the light-optical fiber plate 170, such that overall the light-optical fiber plate 170 and therefore also the optical code 138 arranged directly thereabove are illuminated. Alternatively or additionally, the illumination light 162 can also penetrate into a carrier material 168 of the medical consumable item 122, which can for example once again be configured as transparent or at least with partly light-scattering properties. Accordingly, a detection of the light reflected by the optical code 138 and/or a transillumination of the optical code 138, that is to say a detection of the transmitted light, can take place. Alternatively or additionally, as explained above, the optical code 138 or the modules 140 thereof can also have optical properties such as luminescence properties, conversion properties or the like. For this purpose, by way of example, a luminescent ink can be applied by printing, a laser conversion of a dye can be effected, or the like. As carrier material 168 having properties that diffusely conduct the illumination light 162, it is possible to use a polyester, for example, which can also be provided with a doping, for example a titanium dioxide doping, such that the carrier material 168 still conveys a white impression, in principle.

In the exemplary embodiment illustrated in figure 6, as also in the other configurations according to the invention, one or a plurality of additional elements can also be provided. In particular, one or a plurality of filters can be provided, for example interference filters and/or cut-off filters. Thus, by way of example, between the image sensor 156 and the light-optical fiber plate 170 it is possible to provide a filter in order to separate the illumination light 162 from the actual detection light emerging from the optical code 138. This last is advantageous particularly in the case in which the optical code 138 or the modules 140 thereof or the ink or color used for said modules 140 is or are excited by the illumination light 162 to emit detection light, which differs spectrally from the illumination light 162. The contrast and the signal-to-noise ratio of the signal recorded by the image sensor 156 can be considerably improved in this way.

An exemplary embodiment of the code reader 142 that is similar, in principle, to figure 6 is illustrated in figure 7. Once again the light sources 160 are arranged laterally alongside the light-optical fiber plate 170. In contrast to the exemplary embodiment in accordance with figure 6, however, in this exemplary embodiment there is substantially no coupling of illumination light 162 into the light-optical fiber plate 170 from the side, which can be realized, for example, by means of a geometrical orientation and/or directionality of these light sources 160 and/or by corresponding shielding elements, for example light-opaque coloration of the side edges of the light-optical fiber plate 170, for example by means of a blackening.

10

In this case, the illumination light 162 is scattered in the carrier material 168 of the medical consumable item 122, for which purpose said carrier material can once again be configured accordingly. This scattering can be effected with an unchanged wavelength, or it is possible to provide scattering centers having wavelength-converting properties. By way of example, titanium dioxide particles can again be provided in the carrier material 168, which, by way of example, can comprise a transparent plastic, for example once again a polyester, e.g. Melinex. On account of the scattering properties of said scattering centers, an inhomogeneous intensity distribution arises in the matrix material of the carrier material 168. The optical code 138 is illuminated from behind in this way, which produces a required contrast between, for example, black and white modules 140 of said optical code 138. As an alternative or in addition to this absorptive detection, however, an excitation of the optical code 138 by the illumination light 162 can also once again be effected, for example once again an excitation to luminescence. As an alternative or in addition to the absorptive image recording, this spectrally changed detection light can also be recorded, for example by means of a spectral separation in the image sensor 156.

Figure 8 illustrates a further exemplary embodiment of a code reader 142, which is once again similar to the exemplary embodiment in accordance with figure 7 in terms of the construction, such that reference may largely be made to the description of figure 7. In this case, too, there is once again preferably no coupling of illumination light 162 laterally into the light-optical fiber plate 170, rather there is preferably exclusively coupling of light into a carrier material 168 of the medical consumable item 122.

The exemplary embodiment shown in figure 8 has advantages over the exemplary embodiment in accordance with figure 7 with regard to suppression of background light. For this purpose, illumination light 162 is used which is changed spectrally in terms of its properties by the optical code 138 or the modules 140 thereof or an ink or color used for

35

said modules. By way of example, short-wave light can be used, which constitutes an excitation light. By means of this excitation light 162, luminescence can be excited in the color or ink of the optical code 138, for example. This luminescent light, which has a shorter wavelength than the excitation light 162 on account of a Stokes shift, for example, can be separated from the excitation light 162 by means of suitable spectrally selective elements. By way of example, for this purpose, in the case of the construction in accordance with figure 8, a filter 190 is provided between the light-optical fiber plate and the image sensor 156, which filter, although it is at least substantially transmissive to detection light, at least substantially suppresses the excitation light 162. Said filter 190 can be provided, for example, directly between the light-optical fiber plate 170 and the image sensor 156. Alternatively or additionally, however, other arrangements are also possible. In order to prevent the image quality on the image sensor 156 from being impaired by the thickness of the filter 190, thicknesses of only a few hundred μm or less are preferred for the filter 190. By way of example, a filter coating can be provided directly on the image sensor 156 or the active sensor surface 166 thereof. Alternatively or additionally, the image sensor 156 itself or the sensors 188 thereof themselves can also be equipped with spectrally selective properties, for example with a spectral sensitivity only in the range of the detection light to be detected.

One advantage of the use of fluorescent ink for the optical code 138 furthermore also consists in the fact that the optical code can be made at least substantially invisible to a user. Consequently, the optical code 138 can also be used for protection against counterfeiting since it is not directly discernable to a user or possible counterfeiter of the medical consumable item 122.

Figure 9A schematically illustrates a further exemplary embodiment of a code reader 142, which follows a third illumination concept that can be realized as an alternative or in addition. While rear-side transillumination is effected in figure 4 and while lateral illumination is effected in figures 6 to 8, the exemplary embodiment in accordance with figure 9A involves effecting illumination with illumination light 162 directly through the light-optical fiber plate 170, wherein the illumination is effected substantially parallel to the longitudinal extent of the optical fibers 176. In the exemplary embodiment illustrated, this is realized by virtue of the fact that the image sensor 156 is configured as at least substantially transparent to the illumination light 162. By way of example, this can be effected by virtue of the image sensor 156 or the sensors 188 thereof having a semiconductor material having a band gap. The illumination light 162 can be chosen in such a way that it has a longer wavelength than the wavelength corresponding to said band

gap, such that only negligible absorption of the illumination light 162 in the image sensor 156 takes place. Light-converting materials can then be provided in the carrier material 168 and/or in the material of the optical code 138, said light-converting materials converting this long-wave illumination light 162 into correspondingly shorter-wave detection light, which can then once again be perceived by the image sensor 156.

As an alternative or in addition to the embodiment described in figure 9B, in which the illumination light 162 penetrates directly through the material of the image sensor 156, the image sensor 156 can also comprise regions specifically configured for passage of light. This is illustrated by way of example in figure 9B, which largely corresponds to figure 9A, such that, for the description of the construction, reference may largely be made to the above description of figure 9A.

Thus, the light-transmissive regions in the image sensor 156 can be configured in various ways. By way of example, these regions can be realized by corresponding openings in the image sensor 156, through which the illumination light 162 can penetrate. Alternatively or additionally, as illustrated in the exemplary embodiment in accordance with figure 9B, it is also possible to provide uncoated regions in the image sensor 156, through which the passage of light can take place. This last can be realized, for example, by means of an array of sensors 188 which are arranged in a manner spaced apart from one another on a transparent carrier, for example a glass plate. Through the interspaces between the individual sensors 188, excitation light 162 can then pass in a manner at least substantially unimpeded. Various other configurations are possible. The illumination light 162 can then once again interact with the optical code 138 in various ways. By way of example, reflection, absorption, luminescence excitation or the like can again be mentioned here.

With regard to the interspaces between the individual sensors 188 it can be mooted that these are present anyway in many image sensors 156. The ratio between that proportion of an active sensor surface 166 which is formed by the sensors 188 and the total active sensor surface 166 is generally referred to as the filling factor. Owing to structural dictates, this filling factor has values of less than 100% in most image sensors 156. In the context of the present invention, not only can this be afforded tolerance, but it can even be deliberately exploited. Thus, by way of example, at least one portion of electronics can already be arranged in the interspaces between the sensors 188. By way of example, this can be a portion of the electronics required for the evaluation of the signals of the sensors 188, for example transistor electronics, amplifiers, diodes or combinations of the abovementioned and/or other elements. These electronics can also be configured as at least partly

transparent. In this case, therefore, at least one portion of the electronics can already be arranged on and/or directly below the active sensor surface 166, for example in the same layer plane in which the sensors 188 are also arranged. As a result, by way of example, once again the entire structural size of the image sensor 156 can be reduced, and it is possible to use more cost-effective image sensors 156, for example semiconductor image sensors. By way of example, it is possible to use image sensors 156 having filling factors of approximately 25%. The disadvantages of low filling factors, residing in a lower luminous efficiency, in particular, do not become apparent to the same extent in image sensors 156 as in camera systems, for example. In this respect, comparatively low filling factors can also be afforded tolerance. Generally, by way of example, as described above, CMOS structures can be used as image sensors 156.

In the case of the arrangements in accordance with figure 9A or 9B, by way of example, the sensor circuit board 158 can be equipped with an opening 192, into which one or a plurality of light sources 160 of the illumination device 172 project. Other configurations in which the at least one light source 160 or a light source of this type are or is arranged behind the image sensors 156 are also possible.

In the context of the present invention it is preferred if the complete image of the optical code 138 is imaged onto the active sensor surface 166. For this purpose, by way of example, the active sensor surface 166 can be equipped with a suitable size. Alternatively or additionally, however, it is also possible, in principle, to configure the light-optical fiber plate 170 with demagnifying or magnifying properties. For a demagnification of an image, by way of example, it is possible to alter the density of the optical fibers 176 on the sensor-side surface 186 of the light-optical fiber plate 170 by comparison with the code-side surface 184, for example make it lower than on the code-side surface 184, overall the number of optical fibers 176 preferably remaining the same. In principle, such a magnifying or in the same way demagnifying configuration of the light-optical fiber plate 170 is also conceivable for applications other than the applications described in the context of the present invention. In this way, however, in the context of the present invention, the area of the optical code 138 can be adapted, for example, to the size of the light-optical fiber plate 170, such that the latter is utilized optimally, for example, and the structural size and costs therefore remain small and low, respectively.

Alternatively, however, it is also possible to detect only a part of the optical code 138 by means of the image sensor 156. In this case, it is particularly preferred for the optical code 138 to be configured with redundant information. One example of such a configuration is

illustrated in figure 10. In this exemplary embodiment, the optical code 138 has repeating, identical code units 194. These code units 194 are in each case configured with the same pattern of modules 140 which can be detected. In this way, even if the image sensor 156 only detects an excerpt from the optical code 138, preferably an excerpt which comprises at least one complete code unit 194, it is possible to read out the information contained in this optical code 138.

Generally, the evaluation of the information contained in the optical code 138, independently of the configuration of the optical code 138, can also be effected wholly or partly in the code reader 142. For this purpose, by way of example, the image sensor 156 can be equipped with its own intelligence which already enables a partial or complete evaluation of the optical code 138. By way of example, filters, image recognition algorithms or the like can already be implemented in the image sensor 156. A more extensive evaluation is also possible, in principle. Alternatively or additionally, the code reader 142 can also comprise additional electronic components which furthermore completely or partly realize the evaluation of the optical code 138 in order to obtain the at least one information component contained therein. These additional components can, for example, likewise be arranged on the sensor circuit board 158 or can also be arranged separately. Once again alternatively or additionally, a further evaluation can also be performed by a control unit of the medical apparatus 112, for example a central control unit of a blood sugar measuring apparatus 114 or an insulin pump 116. Various configurations are possible.

In the above exemplary embodiments, the illumination of the optical code 138 by means of the illumination device 172 has always been considered to be static. This is not necessarily the case, however, rather, alternatively or additionally, a temporally resolved illumination and/or measurement can also be effected. One exemplary embodiment of such a dynamic or temporally resolved measurement scheme is shown symbolically in figure 11. Numerous further measurement schemes are possible.

In figure 11, an intensity I of the illumination light 162 is plotted against the time t . It can be discerned from this that an illumination pulse 196 with an intensity I_0 is emitted at an instant t_0 . Said illumination pulse 196, as indicated in a dashed fashion in figure 11, can, for example, excite a dye of the optical code 138 to persistence 198 that lasts longer than the actual time duration Δt of the illumination pulse 196. By way of example, said persistence 198 can comprise a luminescence or more specifically here a phosphorescence.

At an instant $t_0 + t_1$, where t_1 is greater than Δt , it is then possible to effect an interrogation of the detection light in the form of the persistence 198 by means of the image sensor 156. This can be effected, for example, by means of a corresponding "gate" in an electronic driving of the image sensor, which is triggered by the illumination pulse 196. This image recording, too, can, although not illustrated in figure 11, once again be effected over a certain time duration, such that a sufficient amount of detection light can be recorded by the image sensor 156. In this way, by means of the temporal measurement scheme shown in figure 11, by means of an excitation-response measurement method, the illumination light 162 can be separated from the detection light in the form of the persistence 198, as a result of which a great improvement in the signal-to-noise ratio and background suppression can be obtained.

The measurement method can also be carried out repeatedly, which is likewise indicated in figure 11. Thus, at an instant t_2 , which is greater than t_1 , the illumination pulse 196 can be repeated, for example periodically. In this way, the measurement scheme can be carried out periodically, for example, such that it is also possible to realize a frequency-selective evaluation by means of a lock-in method.

Figure 12 illustrates an exemplary embodiment of a code reader 142 which is an alternative to figures 4, 6 to 8 and 9A and 9B and which shows an example of a possible positioning device 134 in a schematic illustration. In this case, the code reader 142 can be configured, for example, substantially like the code reader 142 described in the previous exemplary embodiments, such that, for possible embodiments, reference may be made to the above description, for example. An illumination device 172 is not illustrated in figure 12. The illumination can likewise be effected, for example, once again as in the exemplary embodiments described above.

In this case, the positioning device 134 optionally comprises an insert 200 in the exemplary embodiment illustrated in figure 12, into which insert the medical consumable item 122 can be inserted. By way of example, this medical consumable item 122 can once again be a test element 124, for example a test strip 128. However, other types of medical consumable items 122 are also again possible, wherein the positioning device 134 can be adapted to the geometrical shape of said consumable items 122. Thus, by way of example, the insert 200 can be replaced by corresponding other types of mounts or similar devices.

In the exemplary embodiment illustrated in figure 12, the positioning device 134 furthermore optionally comprises a spacer 202. This spacer 202 comprises, for example, a

spacer rail 204 designed to ensure a predetermined minimum distance between the medical consumable item 122 and the light-optical fiber plate 170. In this way it is possible to ensure that the light-optical fiber plate 170 is not damaged, worn or contaminated by the medical consumable item 122, in particular during the insertion and/or withdrawal thereof.

5 By way of example, the minimum distance can at least substantially correspond to the distance designated by a_1 in figure 5A.

Furthermore, the positioning device 134 in the exemplary embodiment illustrated in figure 12 optionally comprises a press-on element 206, which is indicated here for example

10 as a spring element 208. Said press-on element 206 applies to the medical consumable item 122 a force in the direction of the light-optical fiber plate 170. In this way, the medical consumable item 122 is pressed against the spacer rail 204, thus ensuring that the distance between the medical consumable item 122 and the light-optical fiber plate 170 does not exceed a desired maximum distance. By way of example, the positioning device 134 can

15 be designed to hold the medical consumable item 122 at the above-described distance a_1 . However, other configurations of the positioning device are also possible, in principle.

List of reference symbols

110	Medical system	176	Optical fibers
112	Medical apparatus	178	Fiber cores
114	Blood sugar measuring apparatus	180	Matrix
116	Insulin pump	182	Cladding
118	Input means	184	Code-side surface
120	Output means	186	Sensor-side surface
122	Medical consumable item	188	Sensors
124	Test element	190	Filter
126	Stiff test element	192	Opening
128	Test strip	194	Code units
130	Application location	196	Illumination pulse
132	Introduction opening	198	Persistence
134	Positioning device	200	Insert
136	Electrode contacts	202	Spacer
138	Optical code	204	Spacer rail
140	Modules	206	Press-on element
142	Code reader	208	Spring element
144	Insulin cartridge		
146	Infusion set		
148	Hose cannula		
150	Adapter		
152	Cannula		
154	Packaging		
156	Image sensor		
158	Sensor circuit board		
160	Light source		
162	Illumination light		
164	Imaging system		
166	Active sensor surface		
168	Carrier material		
170	Light-optical fiber plate		
172	Illumination device		
174	Illumination circuit board		

Claims as enclosed to IPRP

5

1. A medical system (110), comprising at least one medical apparatus (112) for carrying out at least one medical function in particular a medical apparatus (112) configured as a handheld apparatus, wherein the medical apparatus (112) is designed to interact with at least one medical consumable item (122) in order to carry out the medical function, wherein the medical apparatus (112) has at least one code reader (142) for reading out at least one information component of an optical code (138) on the medical consumable item (122), wherein the code reader (142) comprises at least one image sensor (156) having a plurality of sensors (188), wherein the code reader (142) furthermore comprises at least one light-optical fiber plate (170), wherein the light-optical fiber plate (170) is configured as a planar plate, wherein the light-optical fiber plate (170) is designed to transport light from a first plane of the light-optical fiber plate (170) to a second plane of the light-optical fiber plate (170), without appreciably altering an image in the process, wherein the light-optical fiber plate (170) is arranged in order to guide an image of the optical code (138) to the image sensor (156), furthermore comprising at least one medical consumable item (122), wherein the medical consumable item (122) has at least one optical code (138) which can be read out by the code reader (142), wherein the optical code (138) is a two-dimensional optical code (138), wherein the optical code (138) has a plurality of optically readable modules (140) as smallest information unit, wherein, in a read position, in which the code reader (142) can read out the information of the two-dimensional optical code (138) of the medical consumable item (122), the medical apparatus (112) and the medical consumable item (122) are positioned relative to one another in such a way that a distance between the light-optical fiber plate (170) and the optical code (138) is less than a distance between midpoints of adjacent modules (140) of the code (138) wherein the code reader (142) has at least one illumination device (172), wherein the illumination device (172) is designed to illuminate the optical code (138) of the consumable item (122) on one side from the same side on which the image sensor (156) is also provided, wherein the illumination device (172) is configured in at least one of the following ways:

- the illumination device (172) is designed to illuminate the optical code (138) through the light-optical fiber plate (170);
 - the illumination device (172) is designed to illuminate the optical code (138) from the side, preferably substantially perpendicularly to a viewing direction of the light-optical fiber plate (170), in particular through a carrier material (168) of the medical consumable item (122);
 - the illumination device (172) comprises at least one light source (160), wherein the light source (160) is designed to illuminate the medical consumable item (122) in the region of the optical code (138) through the image sensor (156).
2. The medical system (110) as claimed in the preceding claim, wherein the light-optical fiber plate (170) has a plurality of optical fibers (176) having a diameter of less than 100 micrometers.
3. The medical system (110) as claimed in either of the preceding claims, wherein the code reader (142) has at least one illumination device (172).
4. The medical system (110) as claimed in any of the preceding claims, wherein the code reader (142) has at least one illumination device (172), wherein the illumination device (172) comprises at least one light source (160) which is designed to transilluminate the medical consumable item (122) in the region of the optical code (138).
5. The medical system (110) as claimed in any of the preceding claims, wherein the code reader (142) has at least one illumination device (172), wherein the illumination device (172) is designed to illuminate the medical consumable item (122) with light having different wavelengths, in particular sequentially.
6. The medical system (110) as claimed in any of the preceding claims, wherein the code reader (142) has at least one illumination device (172), wherein the code reader (142) is designed to record the image of the optical code (138) in a time-delayed manner with respect to an illumination by the illumination device (172).
7. The medical system (110) as claimed in any of the preceding claims, wherein the medical apparatus (112) comprises at least one of the following apparatuses:

- an analysis apparatus (114) for detecting at least one analyte in a sample, in particular an analysis apparatus (114) for detecting at least one metabolite in a body fluid, wherein the analysis apparatus (114) is designed to interact with a medical consumable item (122) in the form of at least one test element (124) for detecting the analyte, in particular a test strip (128) or a test tape;
5
 - a metering device for metering at least one medicament, in particular an insulin pump (116), wherein the metering device is designed to interact with a consumable item (122) in the form of a catheter and/or a cannula (148, 152), wherein the information preferably comprises information about a filling volume of the catheter and/or of the cannula (148, 152).
10
8. The medical system (110) as claimed in any of the preceding claims, wherein the image sensor (156) has at least two regions having a differing spectral sensitivity.
15
 9. The medical system (110) as claimed in any of the preceding claims, furthermore comprising a positioning device (134), which is designed to position the medical apparatus (112) and the consumable item (122) relative to one another.
20
 10. The medical system (110) as claimed in any of the preceding claims, comprising at least one medical consumable item (122), wherein the medical consumable item (122) has at least one optical code (138) which can be read out by the code reader (142), wherein the optical code (138) comprises a two-dimensional optical code (138).
25
 11. The medical system (110) as claimed in any of the preceding claims, comprising at least one medical consumable item (122), wherein the medical consumable item (122) has at least one optical code (138) which can be read out by the code reader (142), wherein the optical code (138) has a plurality of optically readable modules (140) as smallest information unit, wherein the light-optical fiber plate (170) is dimensioned in such a way that at least three optical fibers (176) are provided per dimension of the optical code (138) per module (140).
30
35
 12. The medical system (110) as claimed in any of the preceding claims, comprising at least one medical consumable item (122), wherein the medical

consumable item (122) has at least one optical code (138) which can be read out by the code reader (142), wherein the medical consumable item (122) comprises a carrier material (168) in the region of the optical code (138), wherein the carrier material (168) has transparent or light-scattering properties, wherein the carrier material (168) preferably comprises a transparent plastic, in particular a polyester, in particular Melinex.

13. The medical system (110) as claimed in any of the preceding claims, comprising at least one medical consumable item (122), wherein the medical consumable item (122) has at least one optical code (138) which can be read out by the code reader (142), wherein the optical code (138) is designed to interact differently with light having different wavelengths.

14. The medical system (110) as claimed in any of the preceding claims, comprising at least one medical consumable item (122), wherein the medical consumable item (122) has at least one optical code (138) which can be read out by the code reader (142), wherein the optical code (138) has at least partly luminescent properties, wherein the optical code (138) preferably has a plurality of optically readable modules (140) as smallest information unit, wherein the optical code (138), in particular the modules (140) of the optical code (138), preferably comprises at least one light converter, in particular a phosphor, wherein the light converter is designed to convert an excitation light into a light having a different wavelength than the excitation light, in particular into a light having a longer wavelength than the excitation light.

15. The medical system (110) as claimed in the preceding claim, wherein the transparent plastic is doped with TiO_2 in such a way that a substantially white overall impression of the carrier material (168) arises, wherein the carrier material (168) has diffusely light-conducting properties.

16. The medical system (110) as claimed in any of the preceding claims, comprising at least one medical consumable item (122), wherein the medical consumable item (122) has at least one optical code (138) which can be read out by the code reader (142), wherein the medical consumable item (122) comprises a carrier having a carrier material (168) in the region of the optical code (138), wherein the carrier furthermore comprises at least one light converter, wherein the light converter is designed to convert an excitation light into a light having a different wavelength than the excitation light.

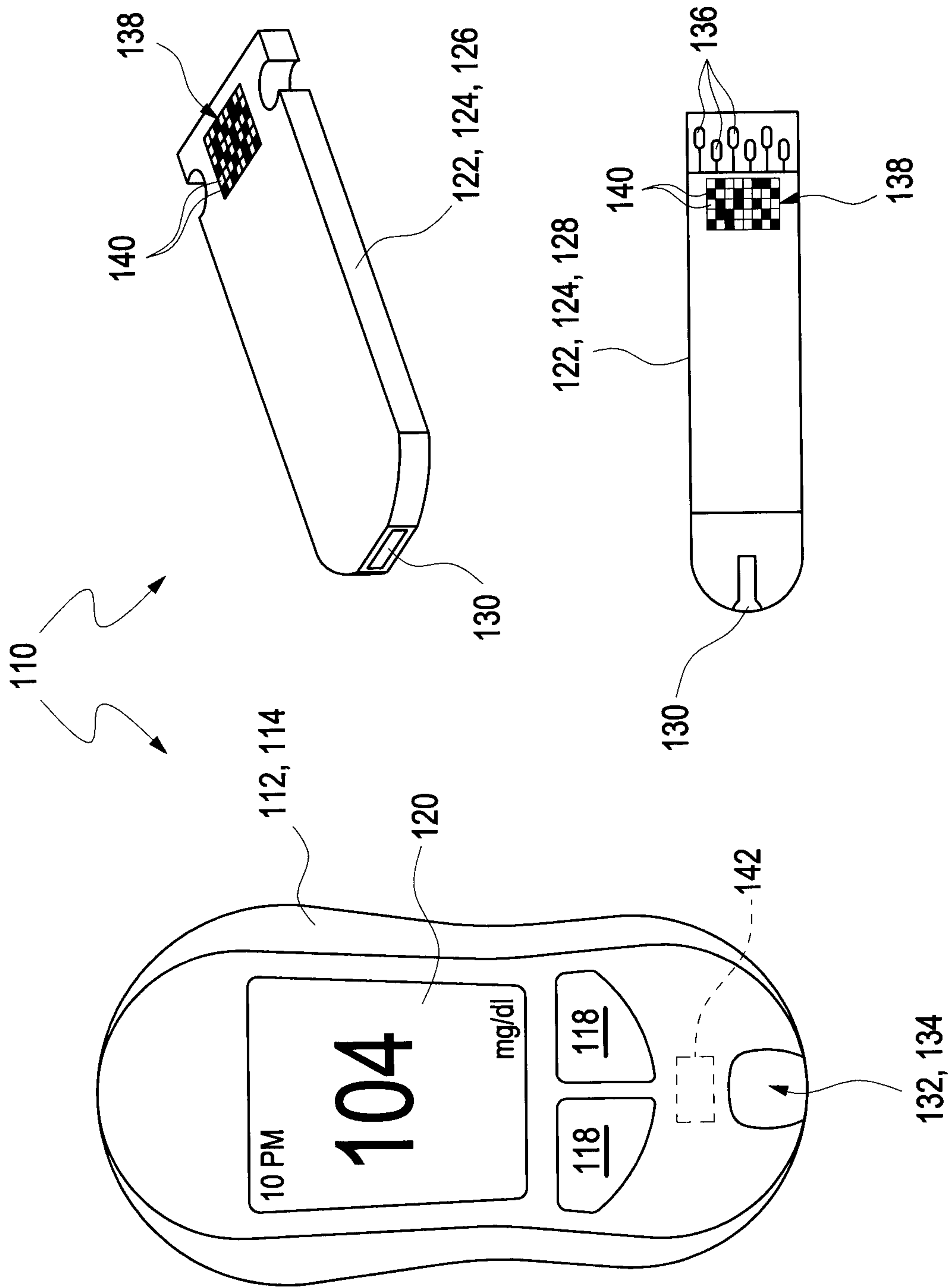


Fig. 1

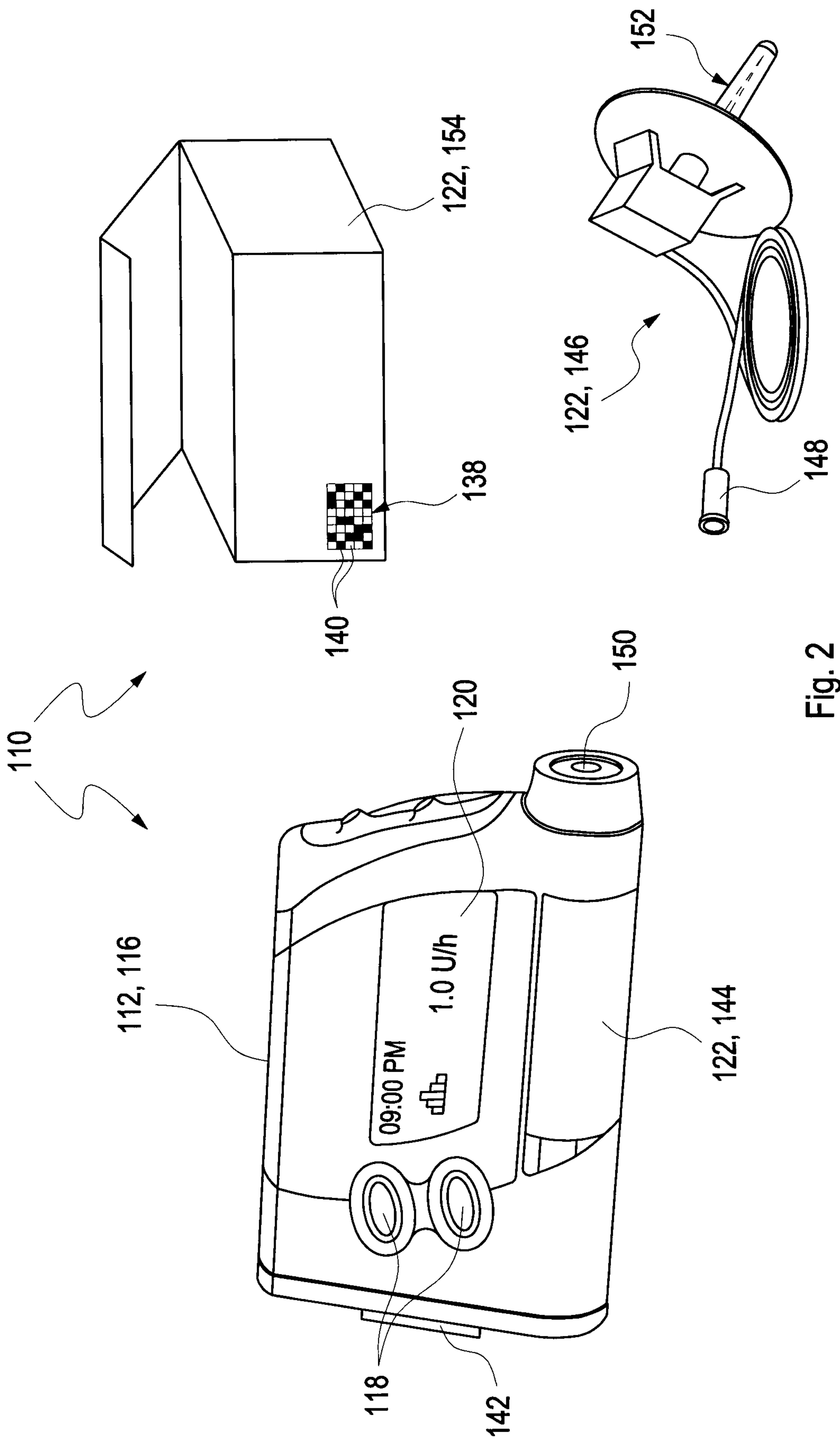


Fig. 2

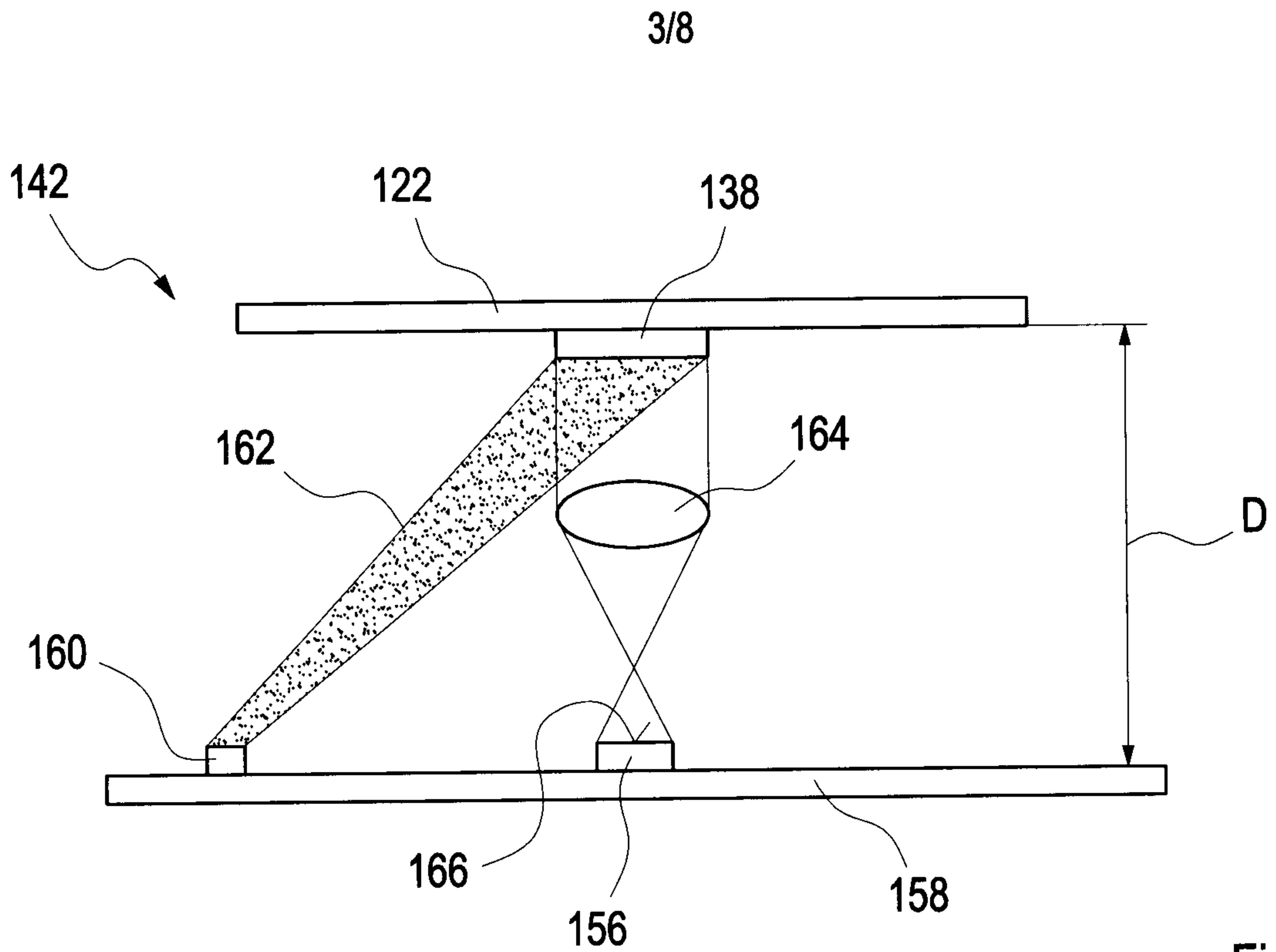


Fig. 3

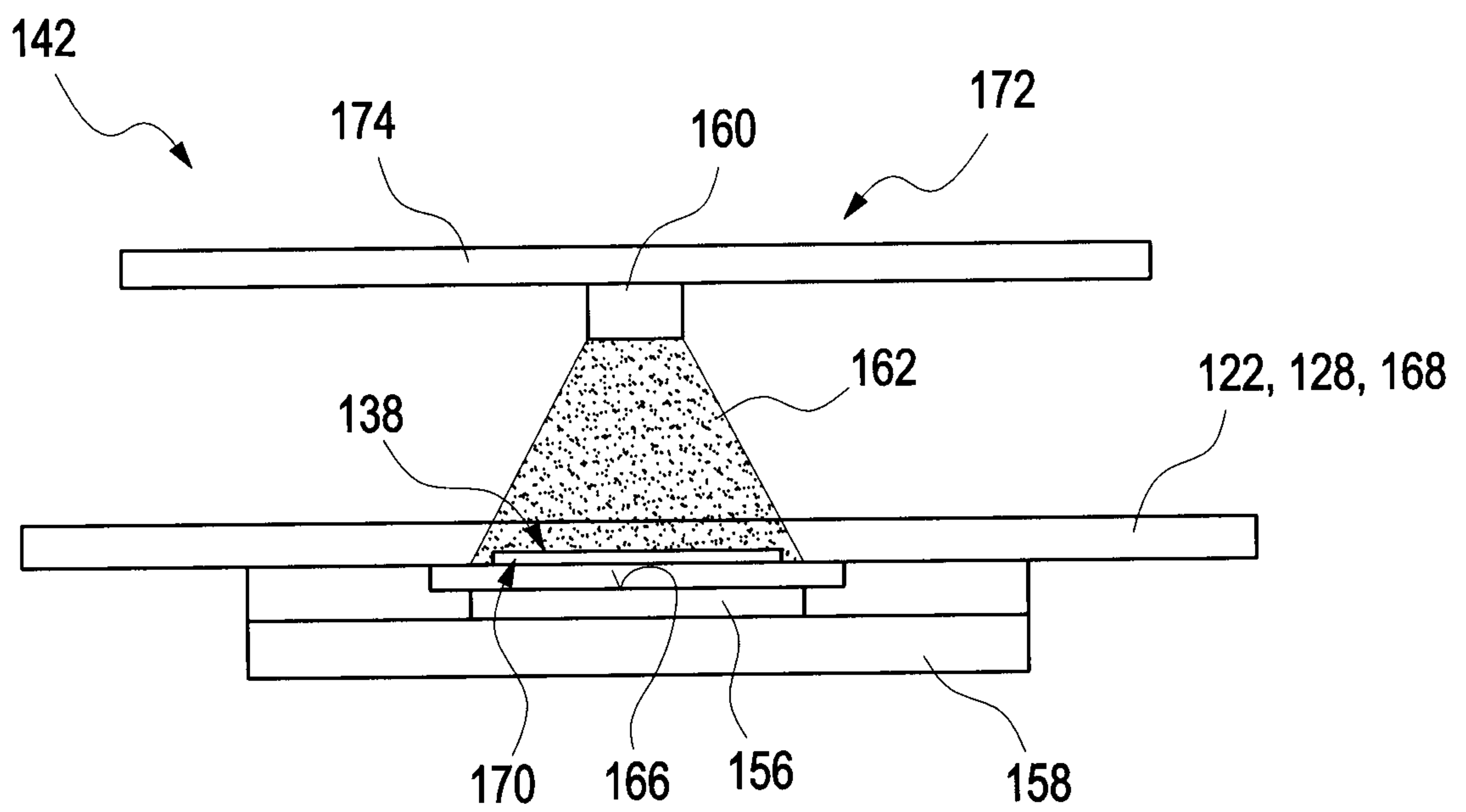


Fig. 4

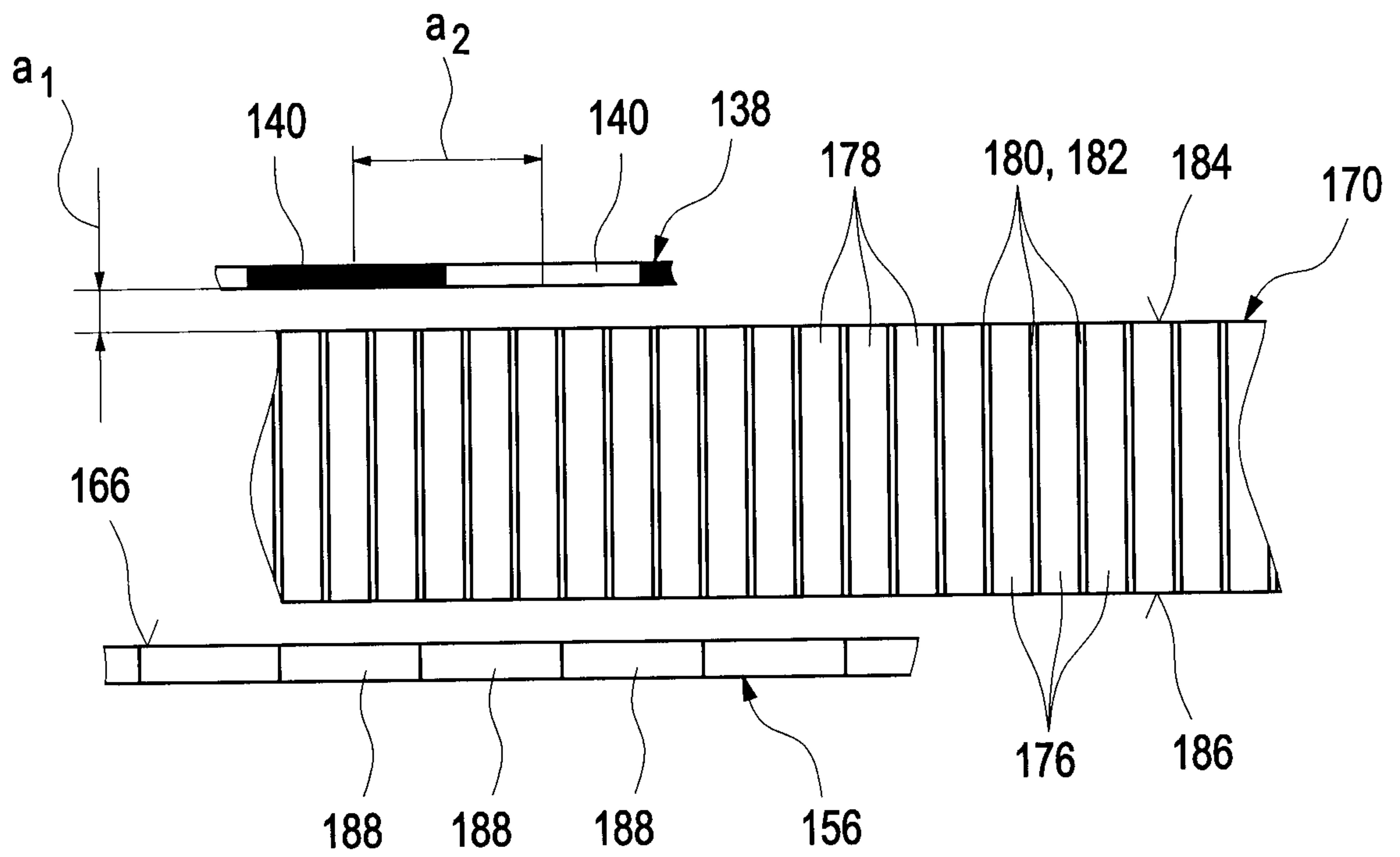


Fig. 5 A

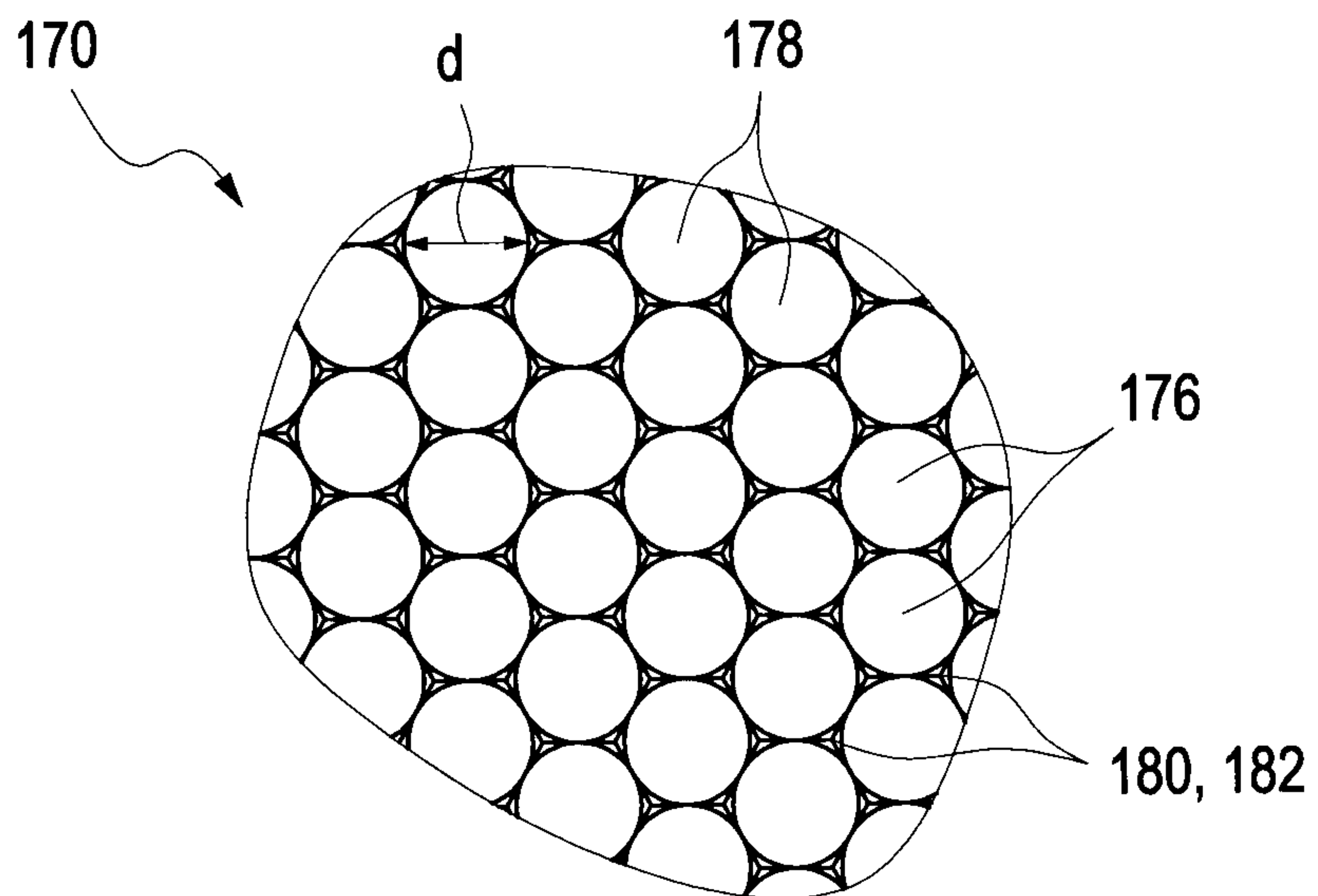


Fig. 5 B

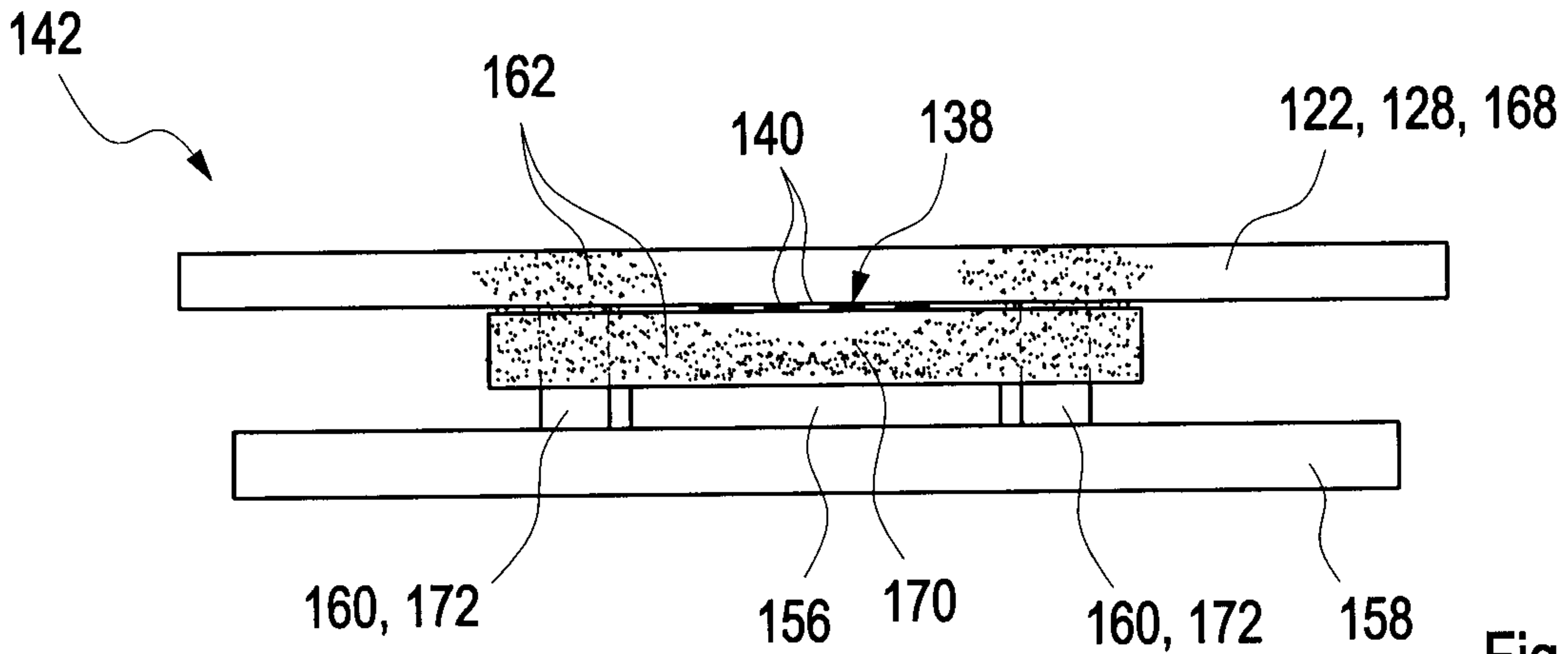


Fig. 6

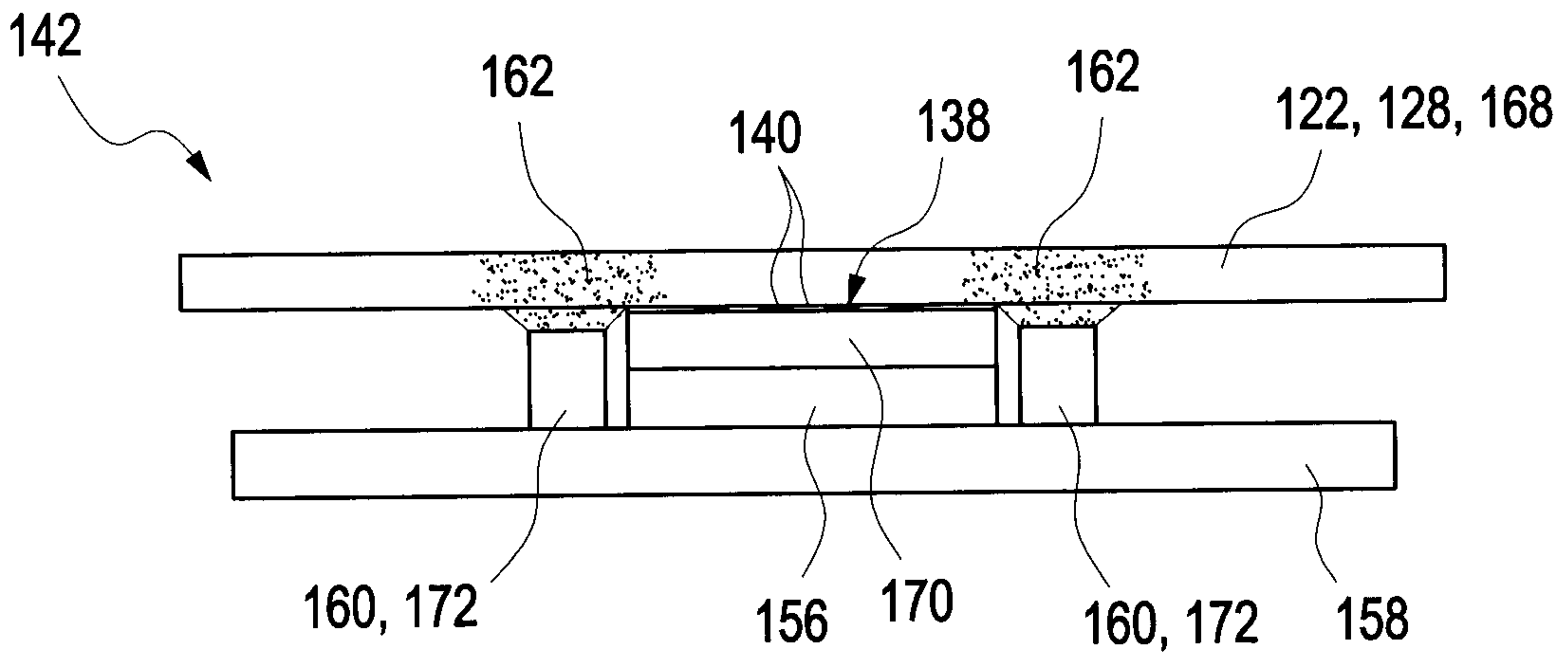


Fig. 7

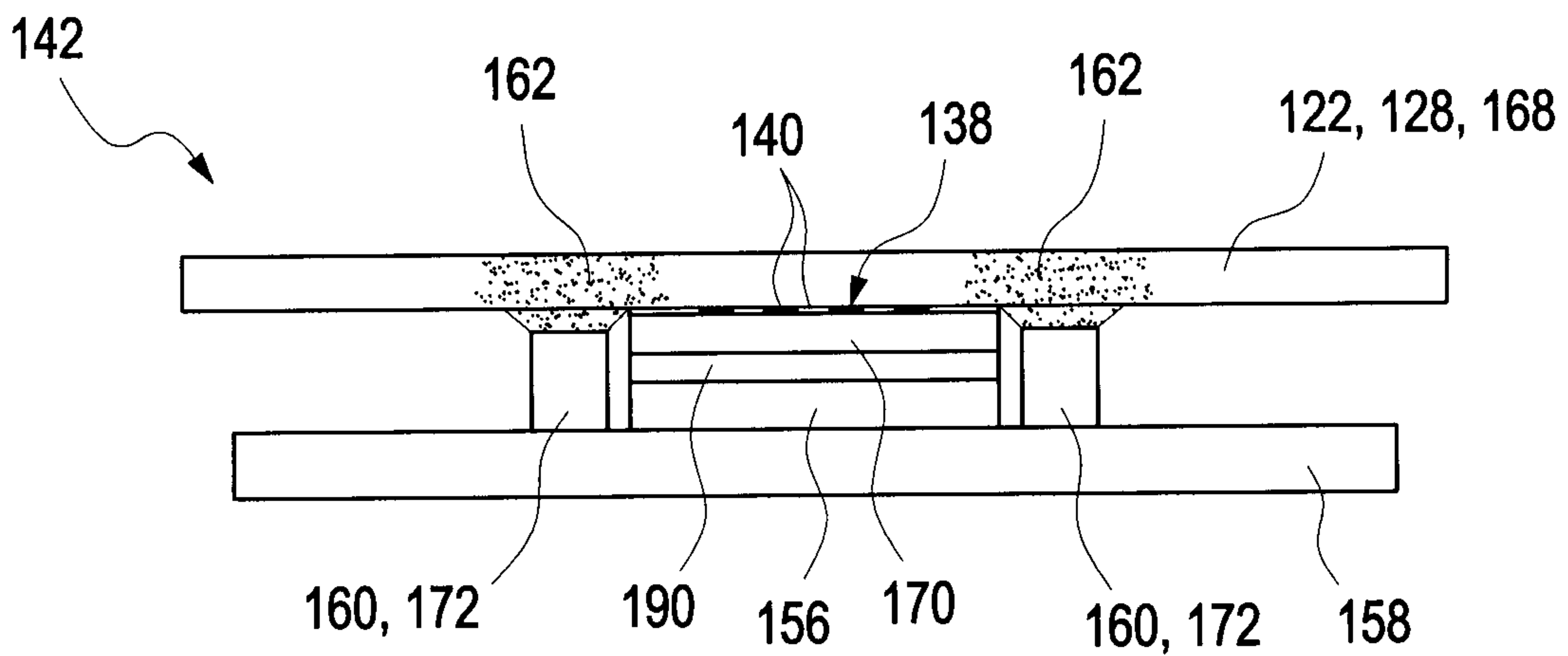


Fig. 8

6/8

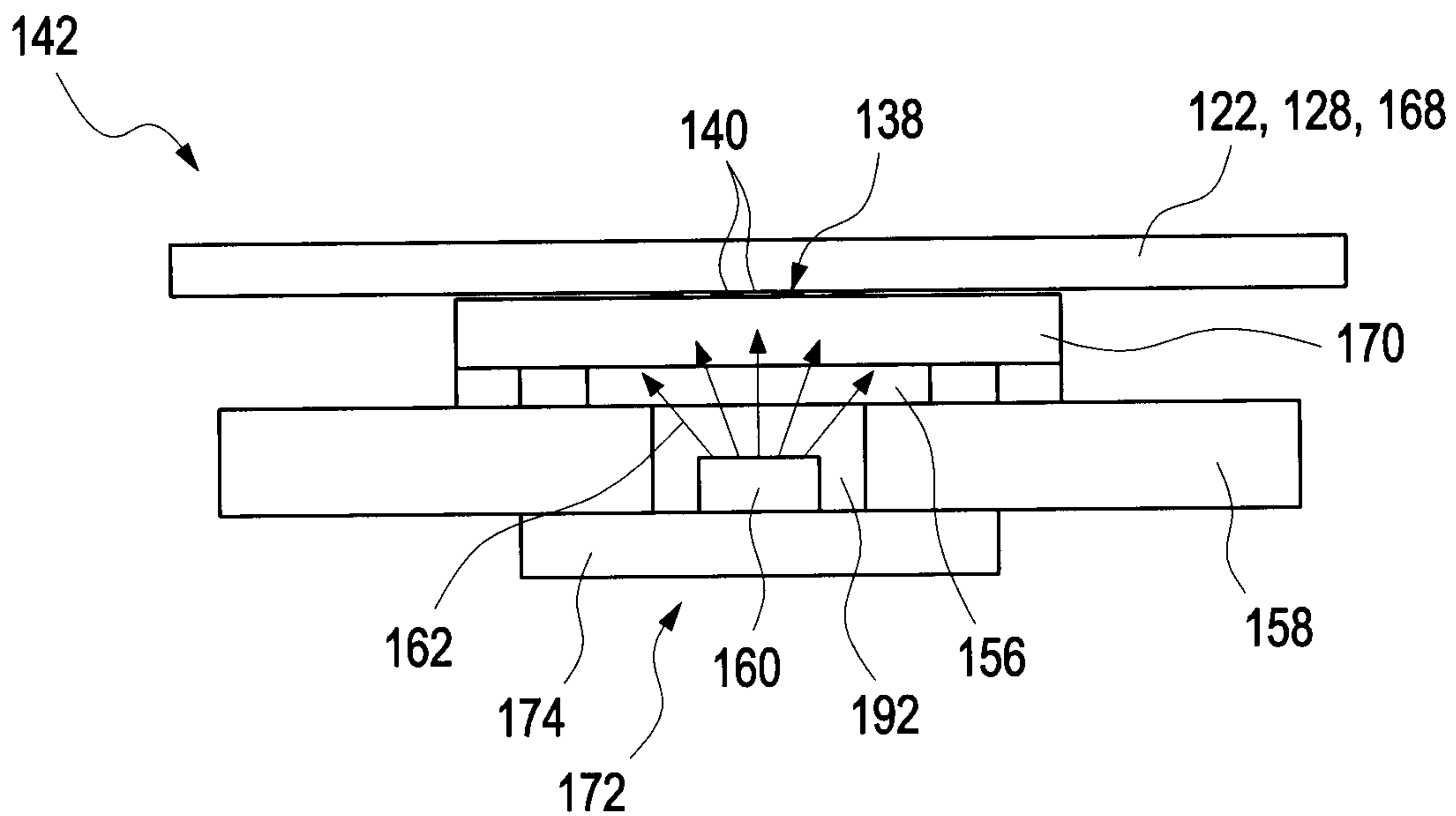


Fig. 9 A

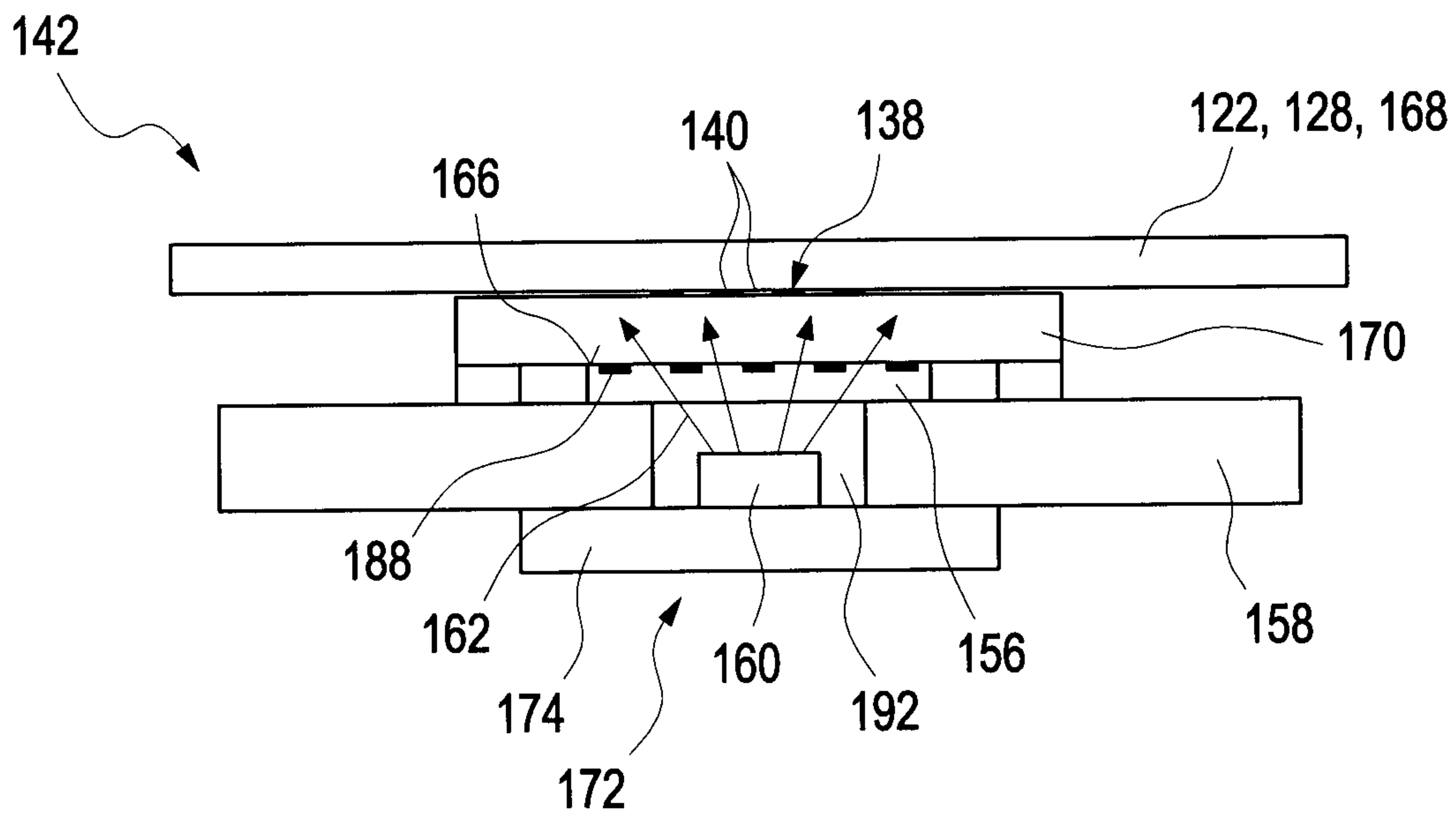


Fig. 9 B

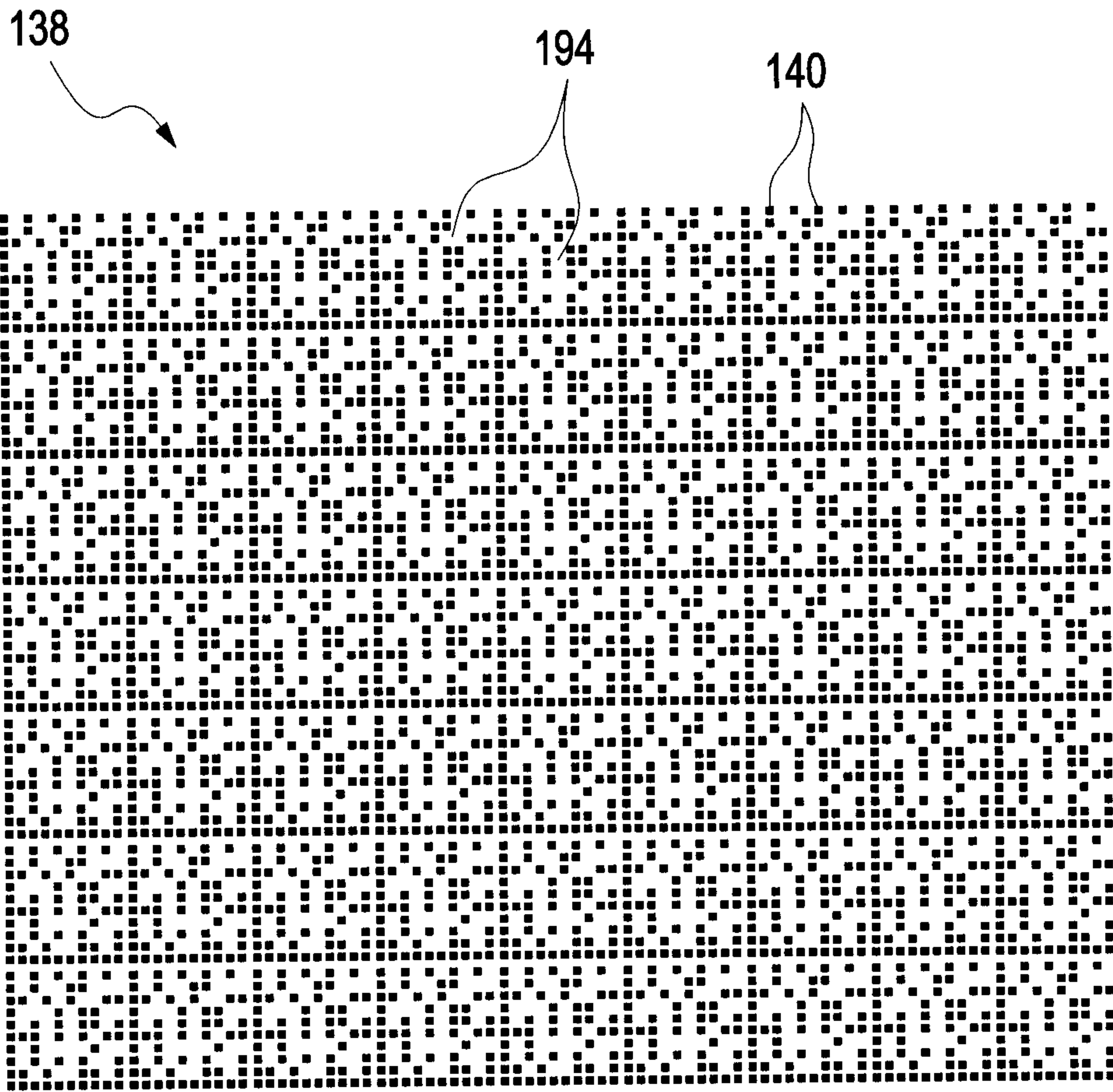


Fig. 10

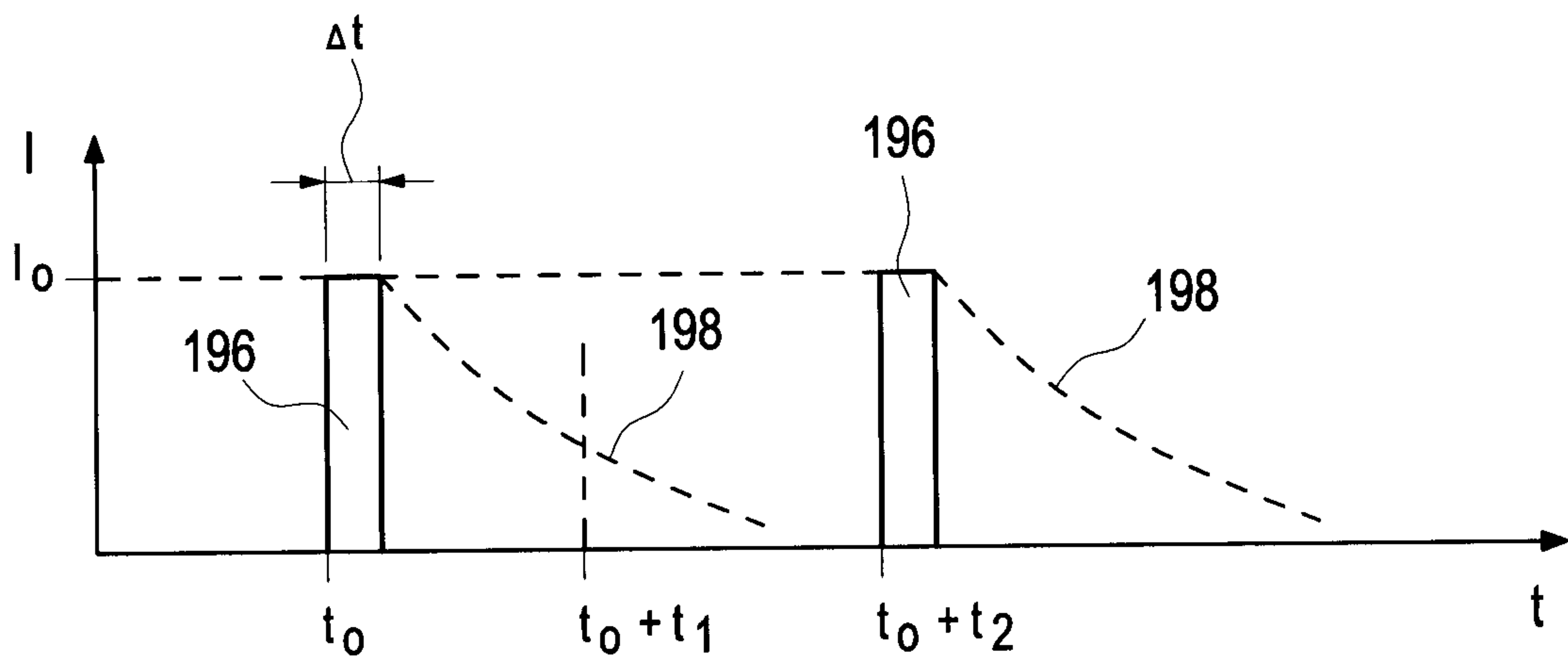


Fig. 11

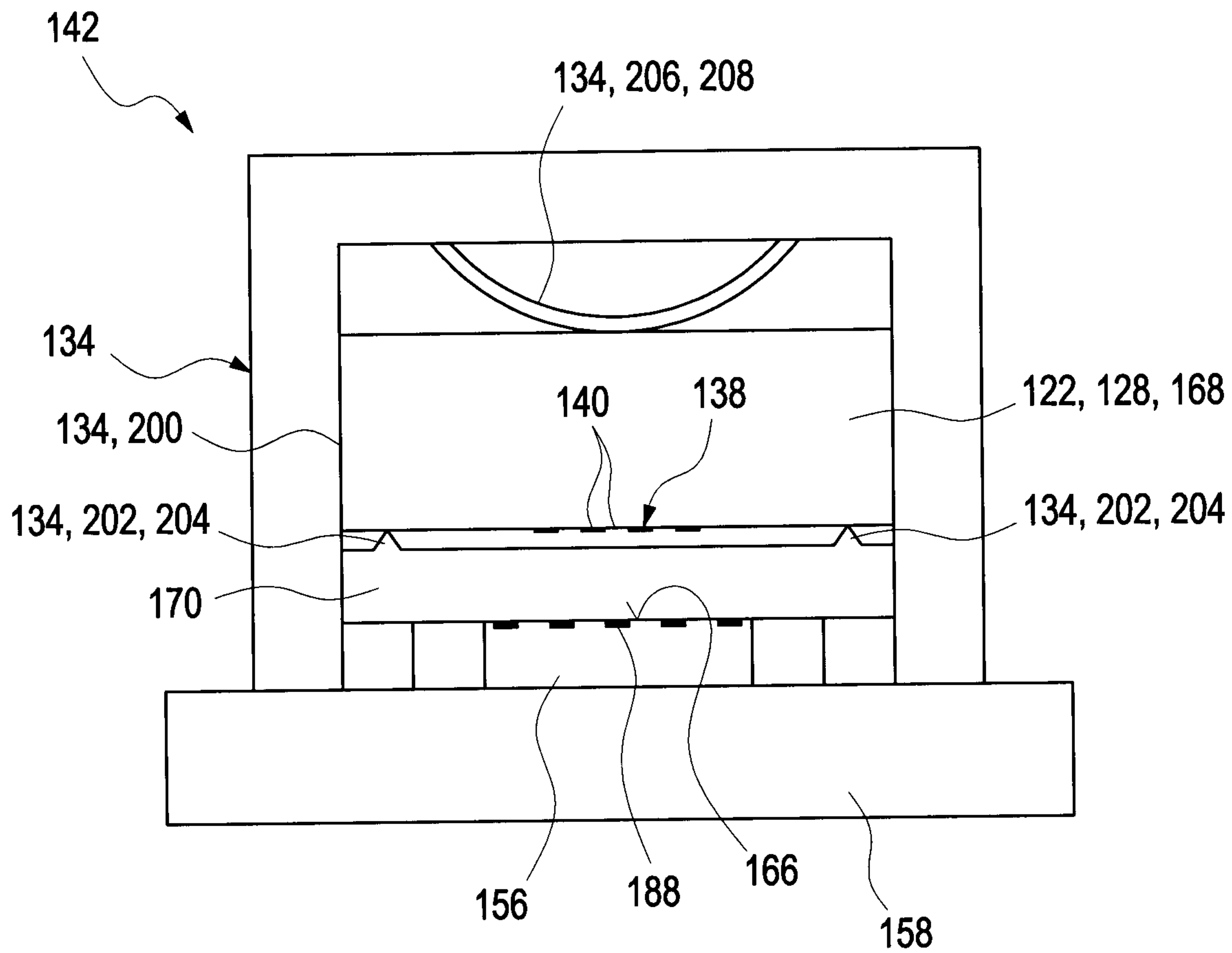


Fig. 12

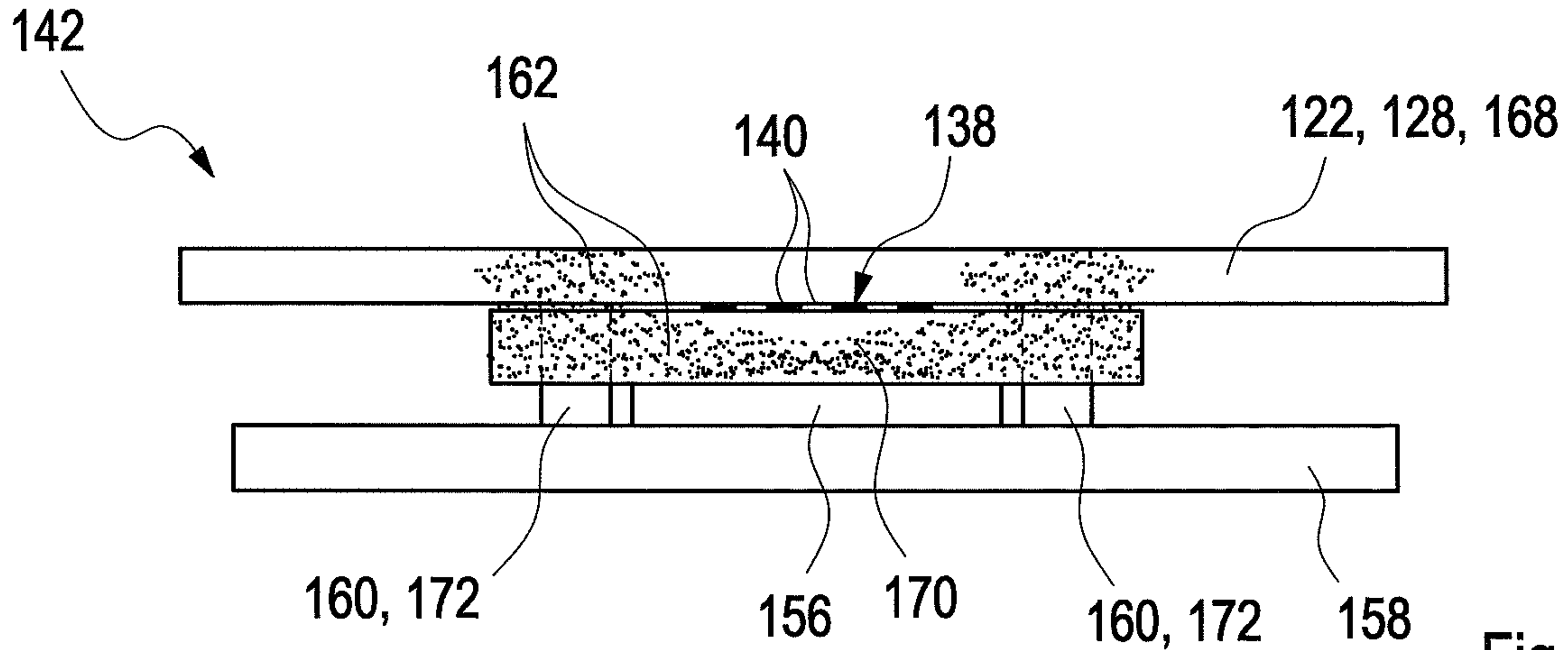


Fig. 6