



US0D1008167S

(12) **United States Design Patent**  
**Liao et al.**

(10) **Patent No.:** **US D1,008,167 S**

(45) **Date of Patent:** **\*\* Dec. 19, 2023**

(54) **BATTERY**

(71) Applicant: **SHENZHEN NEEWER TECHNOLOGY CO. LTD**, Shenzhen (CN)

(72) Inventors: **Jilin Liao**, Shenzhen (CN); **Yan Ke**, Shenzhen (CN); **Jun Wang**, Shenzhen (CN)

(\*\*) Term: **15 Years**

(21) Appl. No.: **29/896,482**

(22) Filed: **Jul. 4, 2023**

(51) **LOC (14) Cl.** ..... **13-02**

(52) **U.S. Cl.**  
USPC ..... **D13/103**

(58) **Field of Classification Search**  
USPC ..... D13/103, 107-108, 110, 118-121, 184, D13/199  
CPC .... H01M 50/10; H01M 50/107; H01M 50/20; H01M 50/209; H01M 50/213; H01M 50/502; H01M 50/557; H01M 6/00; H01M 6/02  
See application file for complete search history.

(56) **References Cited**

**U.S. PATENT DOCUMENTS**

D304,026 S \* 10/1989 Goodner ..... D13/103  
D503,922 S \* 4/2005 Shimizu ..... D13/103

D556,680 S \* 12/2007 Matsumoto ..... D13/103  
D594,403 S 6/2009 Yang  
D610,537 S 2/2010 Sweeney  
D614,125 S \* 4/2010 Tinius ..... D13/103  
D623,124 S \* 9/2010 Nomi ..... D13/103  
D699,179 S \* 2/2014 Alexander ..... D13/103  
D705,719 S \* 5/2014 Wong ..... D13/103  
D776,610 S 1/2017 Nommensen et al.  
D826,149 S 8/2018 Cooper  
D890,692 S 7/2020 Elder  
D973,017 S 12/2022 Sexton et al.  
D976,811 S \* 1/2023 Wang ..... D13/103

\* cited by examiner

*Primary Examiner* — Rosemary K Tarcza

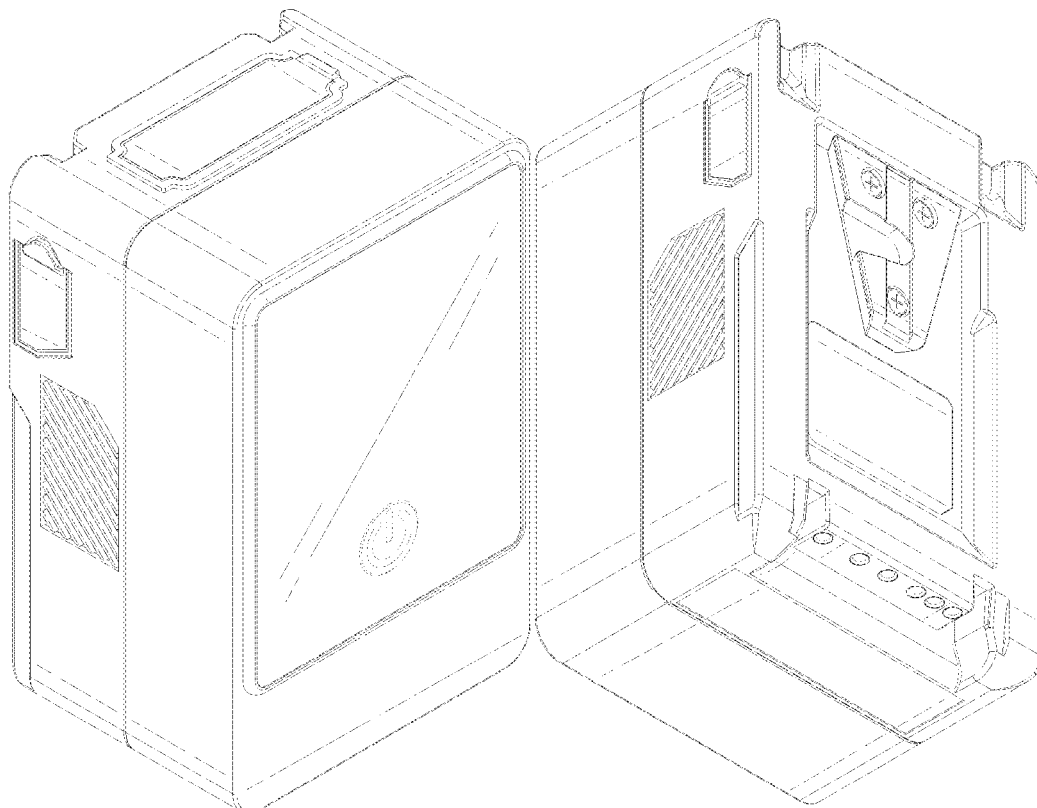
(57) **CLAIM**

The ornamental design for a battery, as shown and described.

**DESCRIPTION**

FIG. 1 is a front, left and top perspective view of a battery showing my new design;  
FIG. 2 is a front elevational view thereof;  
FIG. 3 is a rear elevational view thereof;  
FIG. 4 is a left view thereof;  
FIG. 5 is a right view thereof;  
FIG. 6 is a top plan view thereof;  
FIG. 7 is a bottom plan view thereof; and,  
FIG. 8 is a rear, right and bottom perspective view thereof.  
The broken lines illustrate portions of the article that form no part of the claim.

**1 Claim, 8 Drawing Sheets**



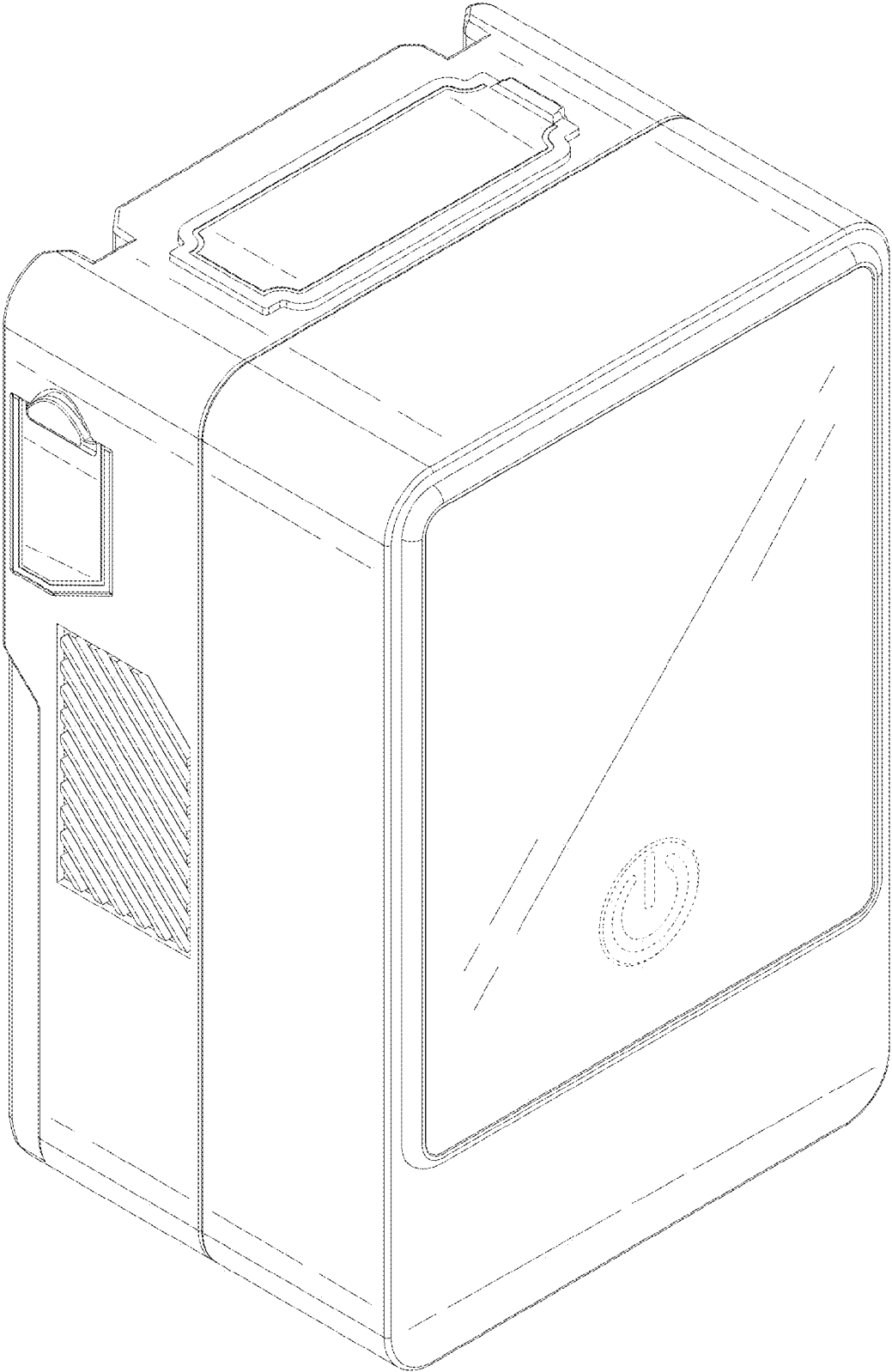


FIG.1

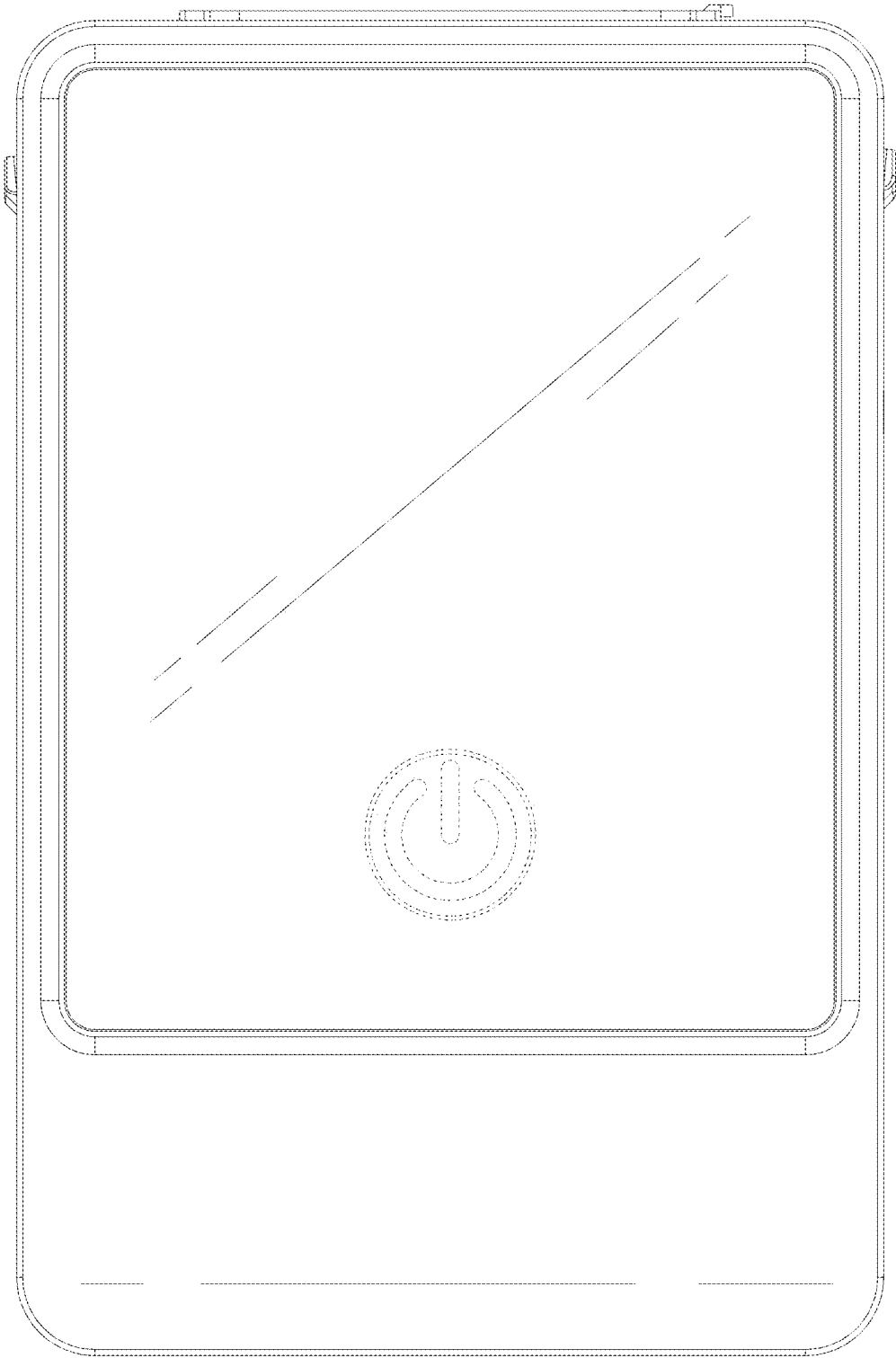


FIG. 2

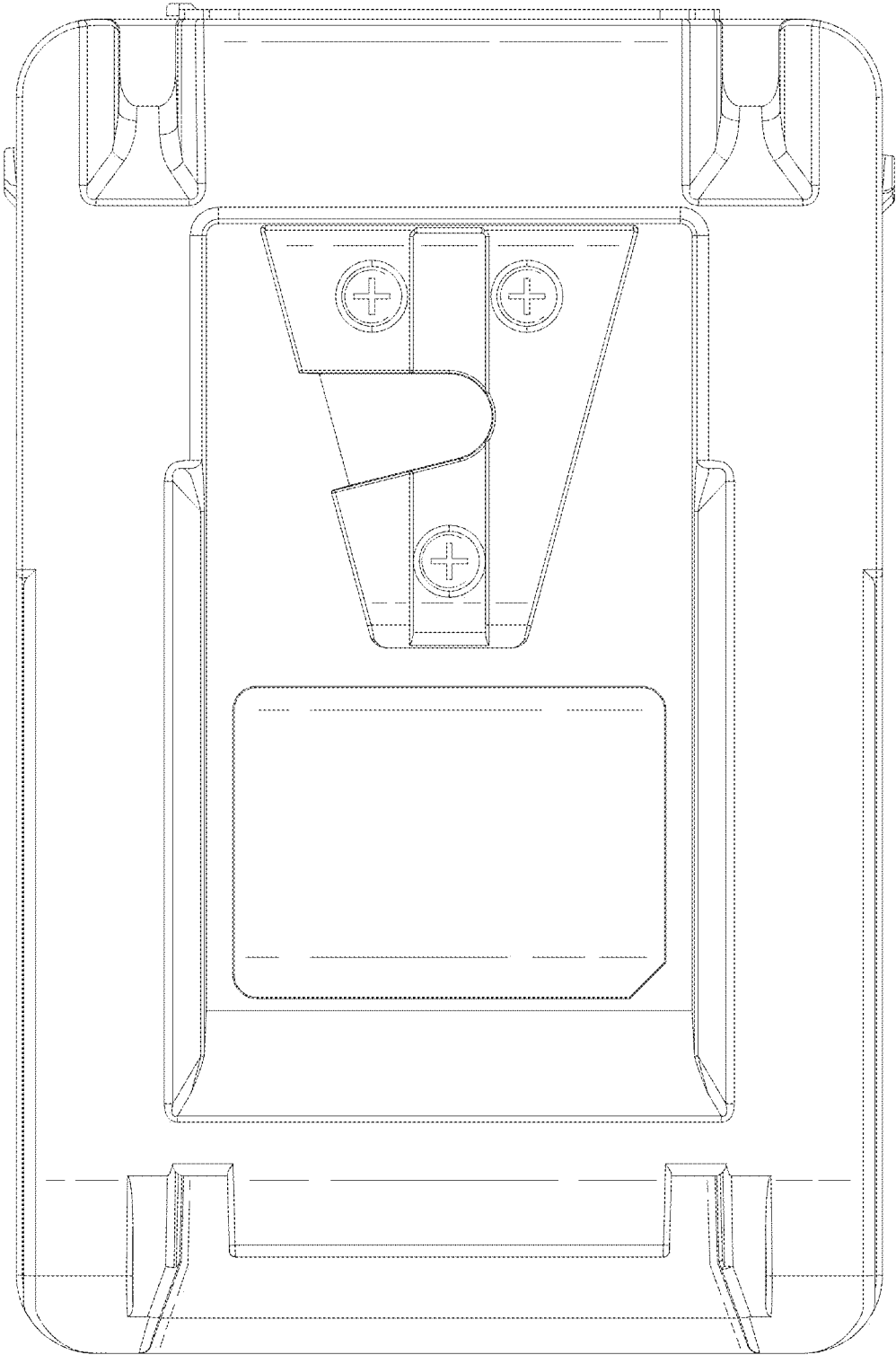


FIG.3

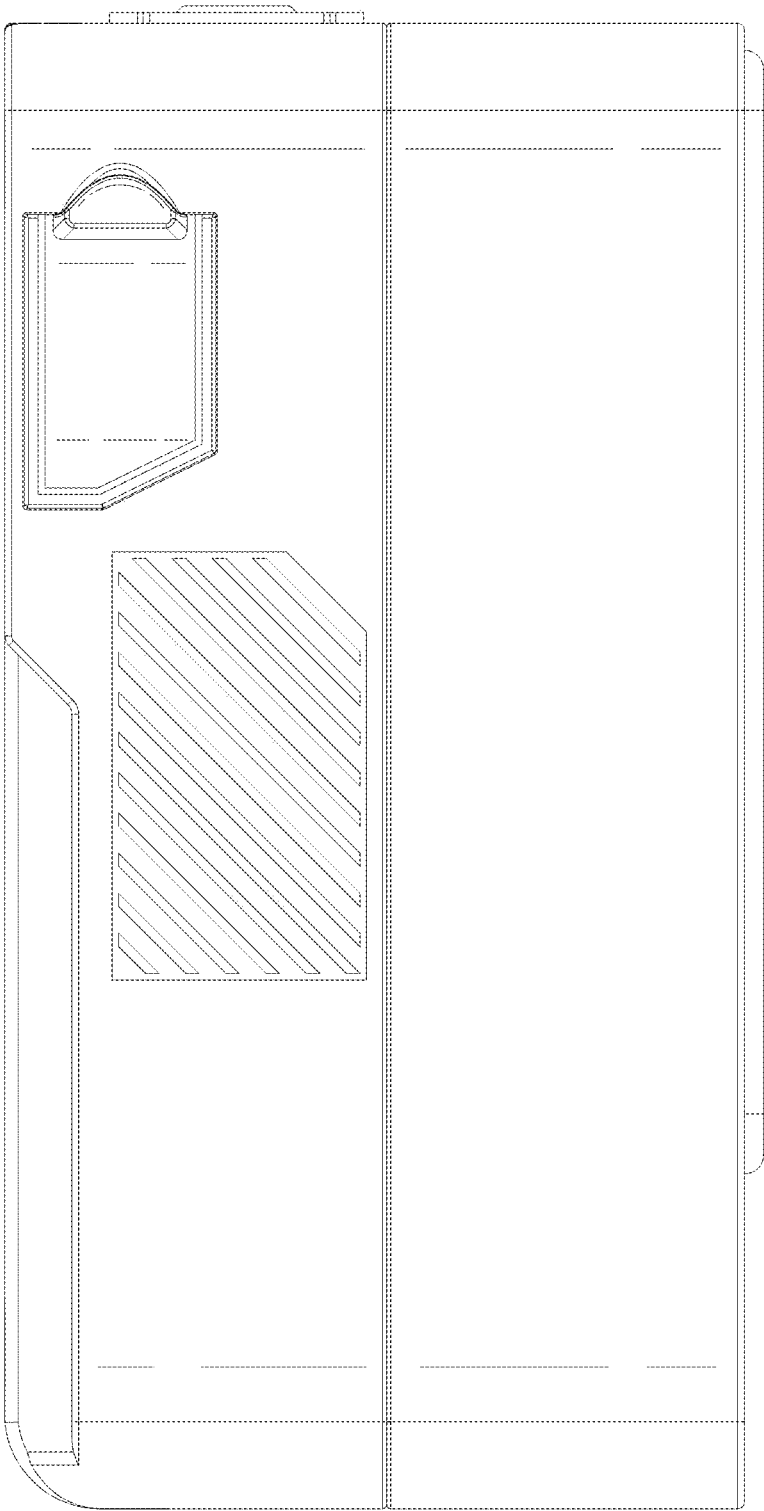


FIG.4

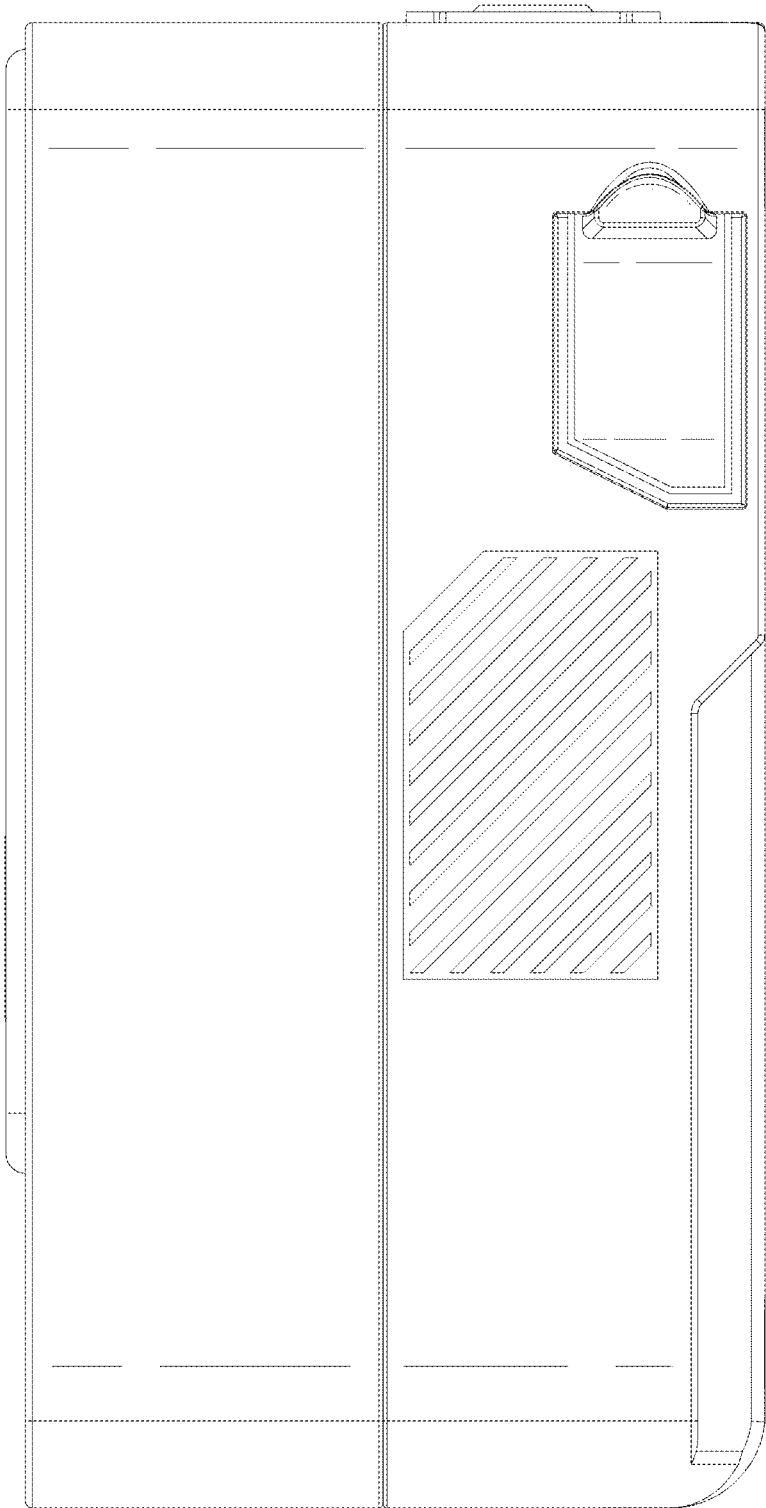


FIG.5

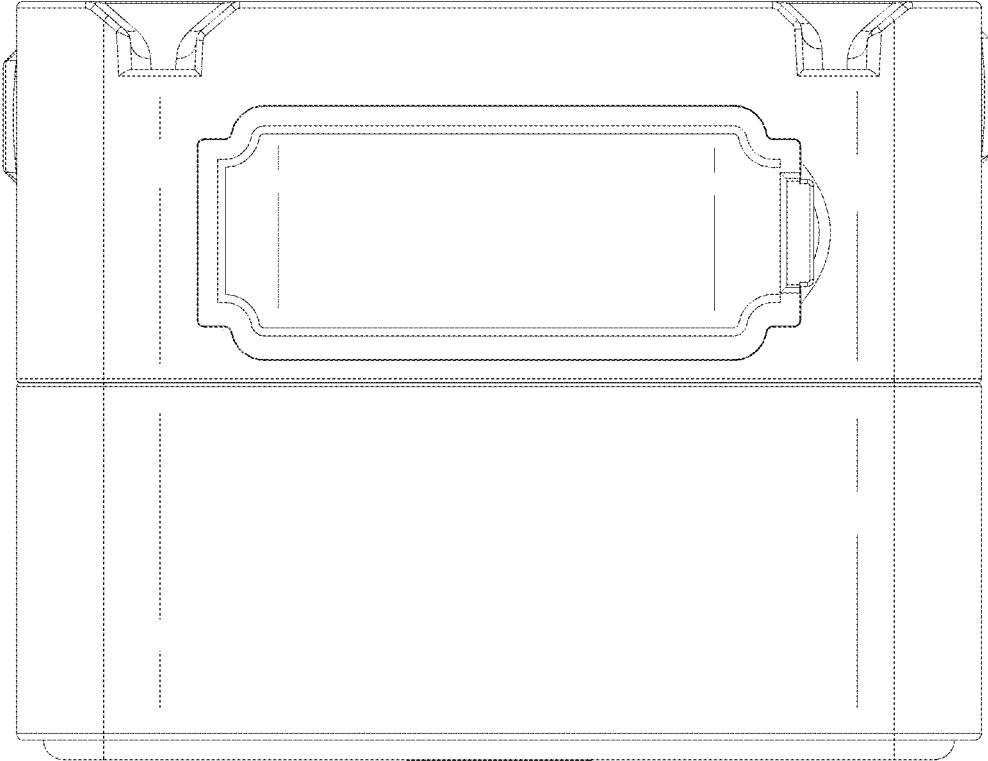


FIG.6

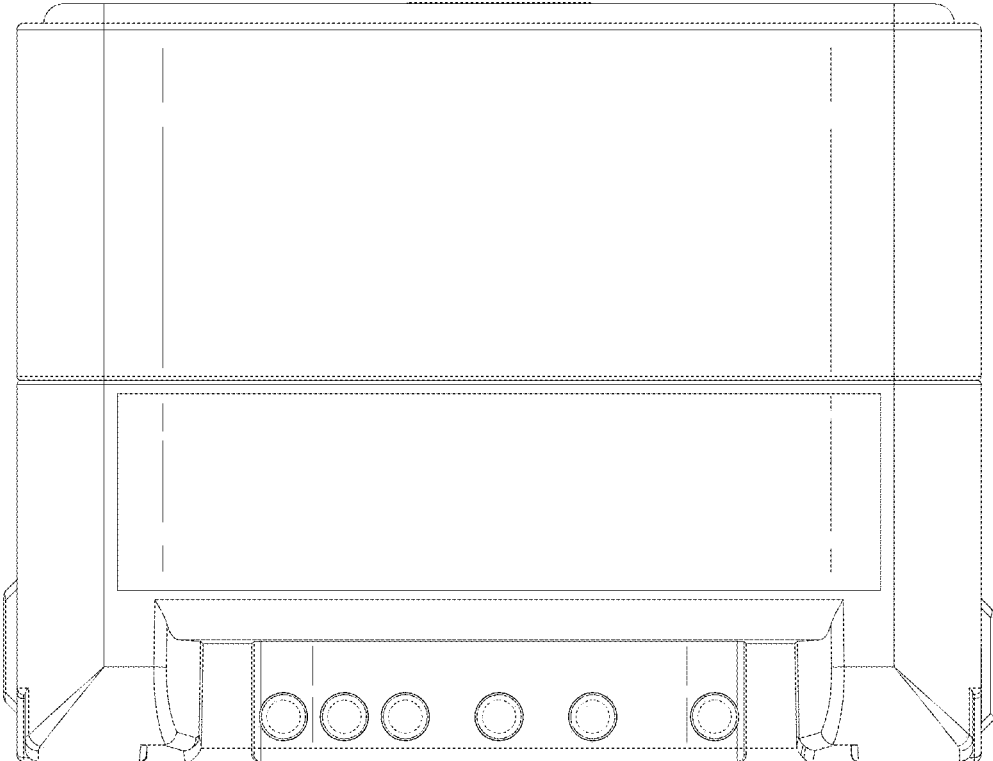


FIG.7

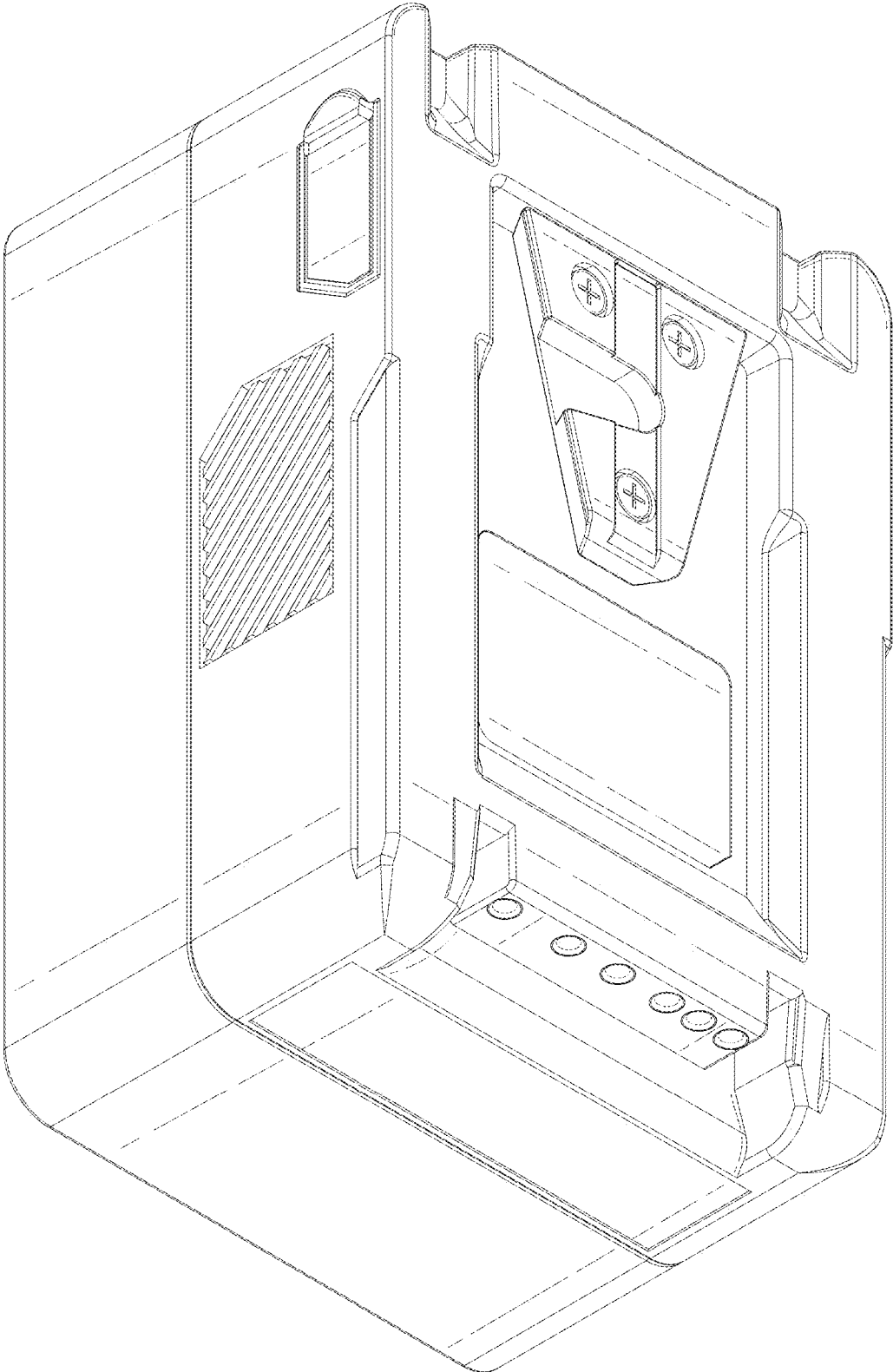


FIG.8