



US00D631542S

(12) **United States Design Patent**
DeGross et al.

(10) **Patent No.:** **US D631,542 S**

(45) **Date of Patent:** **** Jan. 25, 2011**

(54) **PORT**

(75) Inventors: **Joseph P. DeGross**, Spring Valley, WI (US); **Wayne Wellstein**, Menomonie, WI (US)

(73) Assignee: **Mark L. Anderson**, Spring Valley, WI (US)

(**) Term: **14 Years**

(21) Appl. No.: **29/313,169**

(22) Filed: **Dec. 12, 2008**

(51) **LOC (9) Cl.** **24-02**

(52) **U.S. Cl.** **D24/129**

(58) **Field of Classification Search** D23/233, D23/249, 259, 260, 262, 266; D24/112, D24/129, 130, 107, 110, 110.4, 110.5, 110.6; 128/200.11, 200.13, 200.24, 207.16; 285/26, 285/304, 305, 321; 604/19, 23, 247
See application file for complete search history.

(56) **References Cited**

U.S. PATENT DOCUMENTS

4,854,574	A *	8/1989	Larson et al.	482/13
5,129,389	A *	7/1992	Tauscher et al.	128/202.27
5,287,852	A *	2/1994	Arkininstall	128/207.14
5,464,011	A *	11/1995	Bridge	128/207.14
5,810,001	A *	9/1998	Genga et al.	128/202.27
6,378,522	B1 *	4/2002	Pagan	128/207.14

6,431,169	B1 *	8/2002	do Val et al.	128/200.24
6,508,249	B2 *	1/2003	Hoenig	128/202.27
6,941,950	B2 *	9/2005	Wilson et al.	128/207.14
7,089,939	B2 *	8/2006	Walker et al.	128/205.24
7,134,434	B2 *	11/2006	Truitt et al.	128/204.18
7,178,521	B2 *	2/2007	Burrow et al.	128/202.27
7,207,334	B2 *	4/2007	Smart	128/206.24
7,497,478	B2 *	3/2009	Callahan	285/305
7,597,362	B2 *	10/2009	Hartmann	285/321
2007/0299387	A1 *	12/2007	Williams et al.	604/22
2009/0314294	A1 *	12/2009	Chalvignac	128/204.23
2010/0101578	A1 *	4/2010	Cha et al.	128/205.24

* cited by examiner

Primary Examiner—Elizabeth A Albert

Assistant Examiner—Karen E Eldridge Powers

(74) *Attorney, Agent, or Firm*—Skinner and Associates

(57) **CLAIM**

The ornamental design for a port, as shown and described.

DESCRIPTION

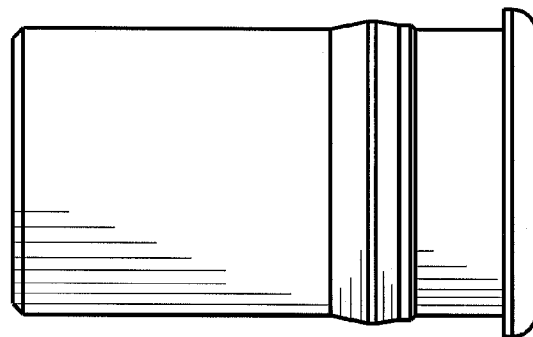
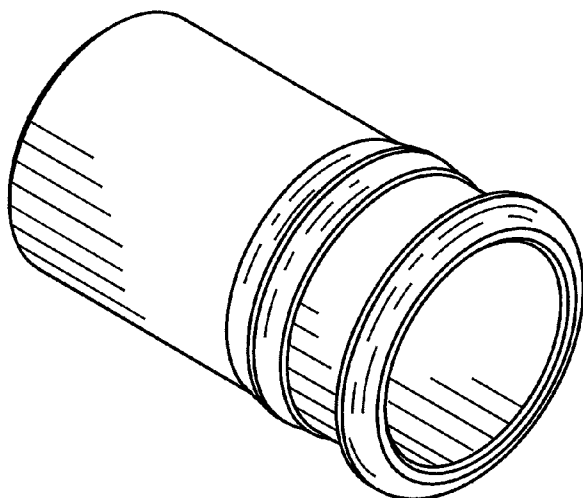
FIG. 1 is a perspective view of a port according to the present invention.

FIG. 2 is a side view thereof, the opposite side, top and bottom views being identical thereto.

FIG. 3 is an end view thereof; and,

FIG. 4 is an opposite end view thereof.

1 Claim, 2 Drawing Sheets



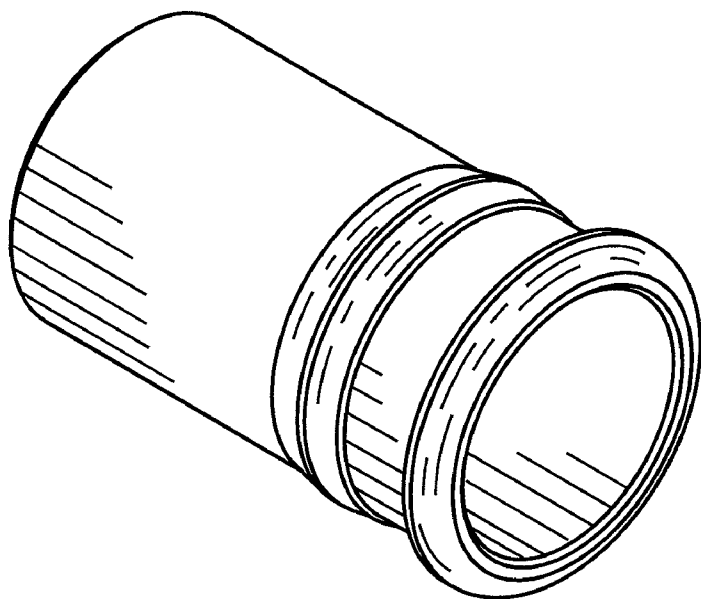


FIG. 1

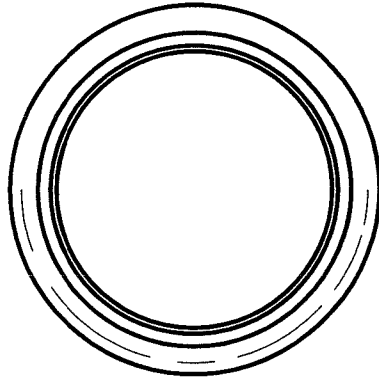


FIG. 4

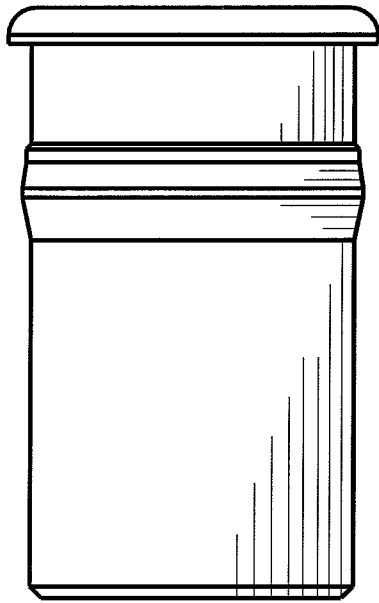


FIG. 2

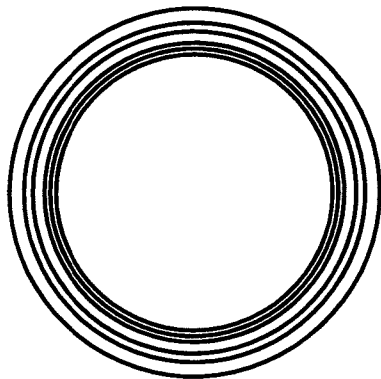


FIG. 3