



US00D771335S

(12) **United States Design Patent** (10) **Patent No.:** **US D771,335 S**  
**Yoon et al.** (45) **Date of Patent:** **\*\* Nov. 8, 2016**

(54) **DOOR FOR WASHING MACHINE**  
(71) Applicant: **Samsung Electronics Co., Ltd.**,  
Suwon-si (KR)  
(72) Inventors: **Kisang Yoon**, Daejeon (KR); **Yoonjong Kang**, Seoul (KR); **Dongwon Chun**,  
Seoul (KR)  
(73) Assignee: **Samsung Electronics Co., Ltd.**,  
Suwon-si (KR)

D711,605 S \* 8/2014 Jo ..... D32/25  
D729,467 S \* 5/2015 Jee ..... D32/6  
D729,998 S \* 5/2015 Jeon ..... D32/6  
9,315,934 B2 \* 4/2016 Kim ..... D06F 29/00  
D758,028 S \* 5/2016 Bixby ..... D32/25  
D758,029 S \* 5/2016 Bixby ..... D32/25  
D758,031 S \* 5/2016 Bixby ..... D32/25  
D758,033 S \* 5/2016 Bixby ..... D32/25  
2015/0076977 A1 \* 3/2015 Kim ..... D06F 39/005  
312/228  
2015/0121972 A1 \* 5/2015 Kim ..... D06F 39/12  
68/3 R

(\*\*) Term: **15 Years**  
(21) Appl. No.: **29/536,084**  
(22) Filed: **Aug. 13, 2015**

(30) **Foreign Application Priority Data**  
Feb. 13, 2015 (KR) ..... 30-2015-0007978  
(51) **LOC (10) Cl.** ..... **15-05**  
(52) **U.S. Cl.**  
USPC ..... **D32/25**  
(58) **Field of Classification Search**  
USPC ..... D32/1-6, 8, 10, 25, 28; 312/228, 228.1,  
312/236, 294, 326; 220/810; 68/3 R, 5 R,  
68/235 R, 196, 212; 34/108, 130, 131, 132,  
34/595, 596, 597; 8/137  
CPC ..... A47B 96/00; D06F 39/022; D06F 39/14;  
D06F 39/028; D06F 33/02; D06F 37/28;  
D06F 58/00  
See application file for complete search history.

**FOREIGN PATENT DOCUMENTS**

CN 201430062671 9/2014  
KR 30-2010-0057222 3/2012  
KR 30-2013-0034129 10/2013

\* cited by examiner

*Primary Examiner* — Rosemary K Tarcza  
*Assistant Examiner* — Yolanda Robinson  
(74) *Attorney, Agent, or Firm* — NSIP Law

(57) **CLAIM**  
We claim the ornamental design for a door for washing machine, as shown and described.

**DESCRIPTION**

FIG. 1 is a front perspective view of a door for washing machine showing our new design;  
FIG. 2 is a front view thereof;  
FIG. 3 is a rear view thereof;  
FIG. 4 is a left-side view thereof;  
FIG. 5 is a right-side view thereof;  
FIG. 6 is a top view thereof;  
FIG. 7 is a bottom view thereof; and,  
FIG. 8 is another perspective view thereof in which a washing machine in broken lines is provided to illustrate an example environment.  
The broken lines in the figures are for environmental purposes only and form no part of the claimed design.

(56) **References Cited**  
**U.S. PATENT DOCUMENTS**  
D422,387 S 4/2000 Mutoh et al.  
D631,215 S \* 1/2011 Song ..... D32/6  
D695,474 S \* 12/2013 Calmeise ..... D32/28  
D697,680 S \* 1/2014 Hwang ..... D32/25  
D701,656 S \* 3/2014 Choi ..... D32/6  
D704,907 S \* 5/2014 Yoo ..... D32/6  
D709,657 S \* 7/2014 Shin ..... D32/25

**1 Claim, 8 Drawing Sheets**

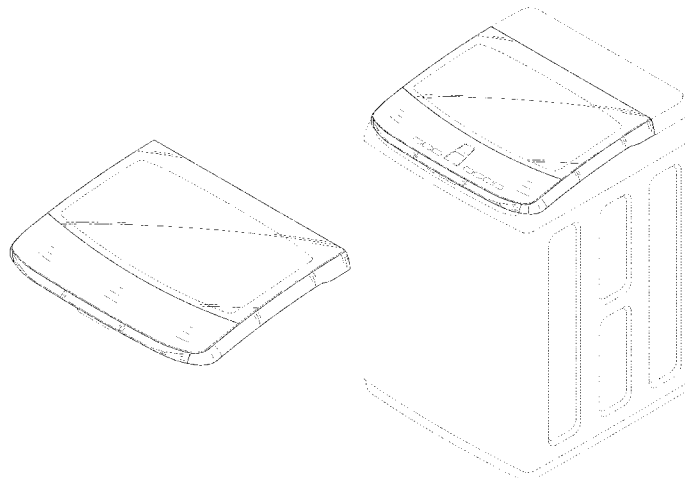


FIG. 1

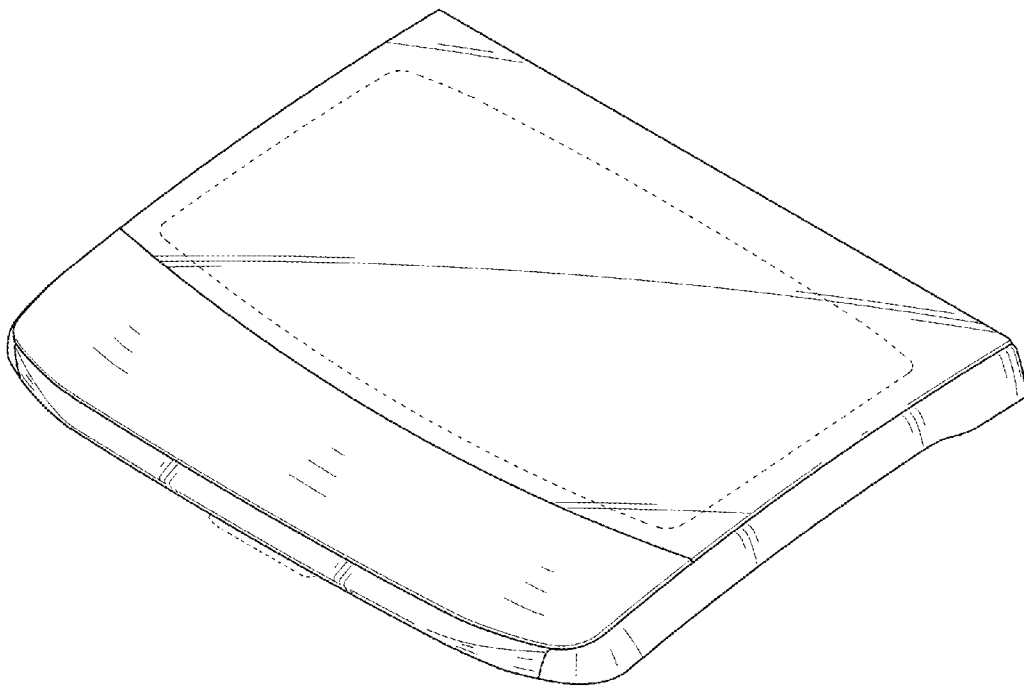


FIG.2

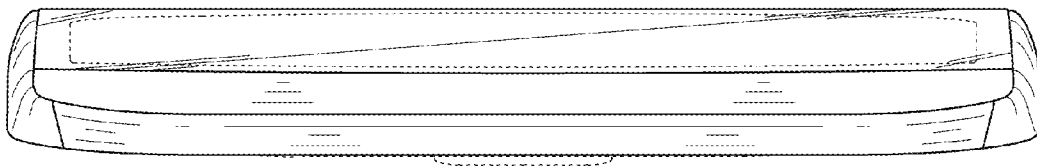


FIG.3

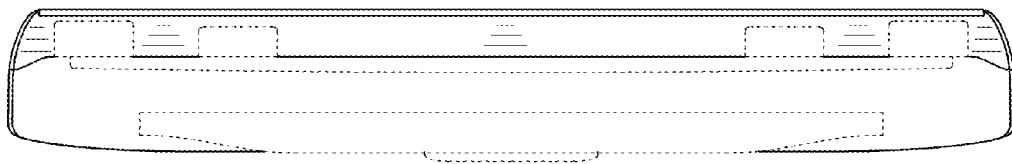


FIG. 4

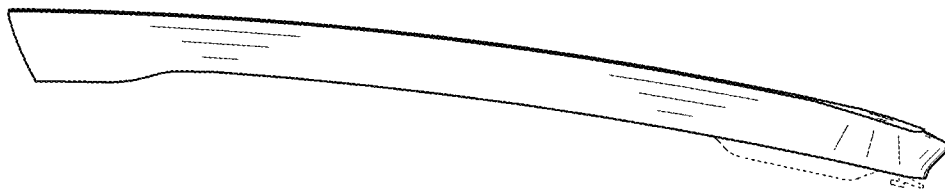


FIG. 5

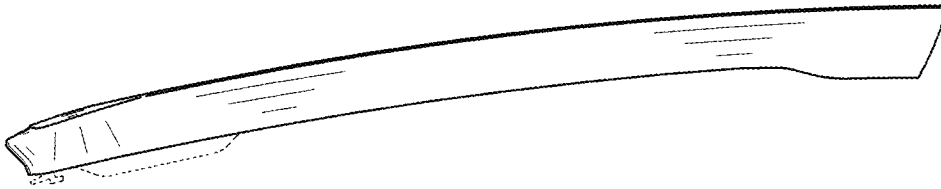


FIG. 6

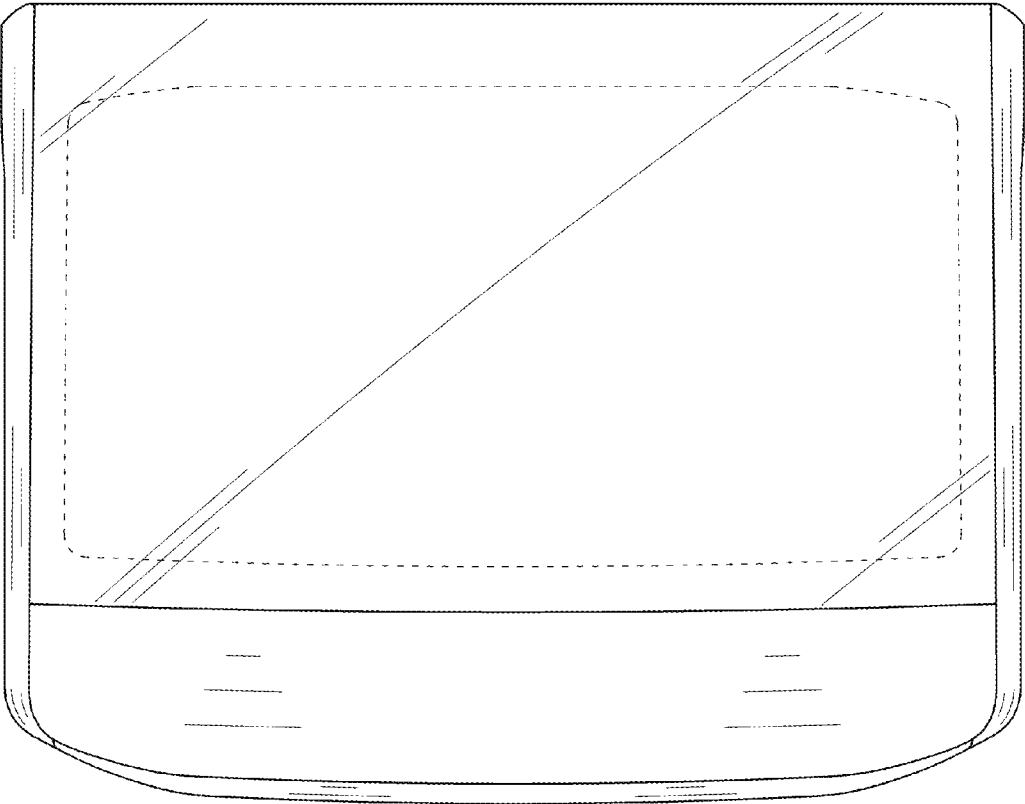


FIG. 7

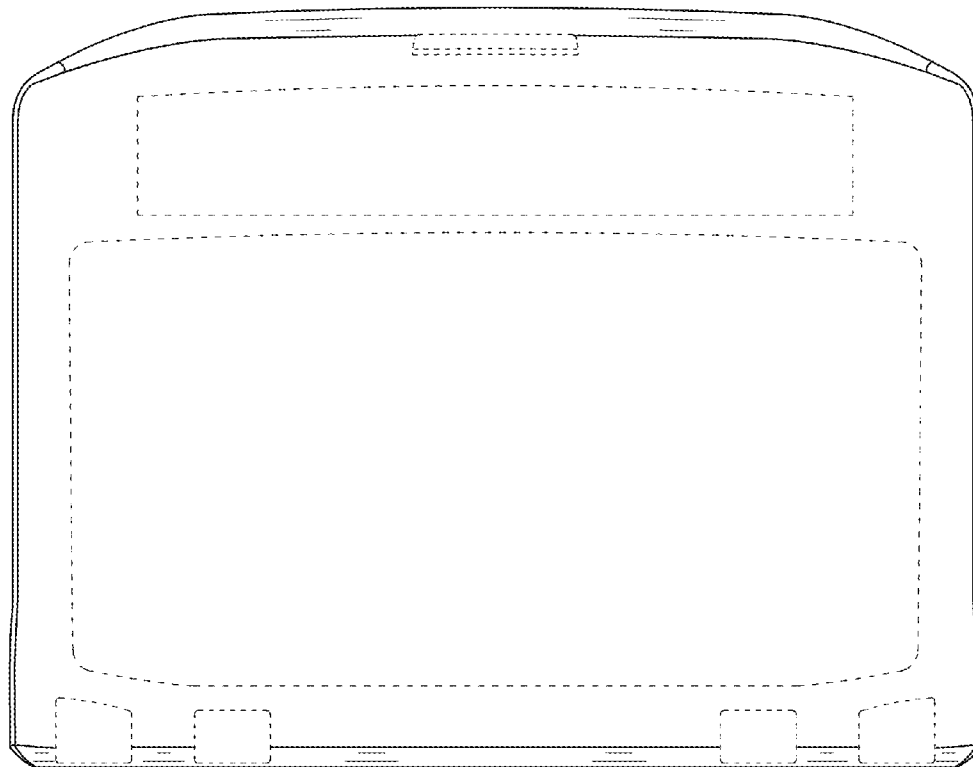




FIG. 8

