



US00D700384S

(12) **United States Design Patent**
Lee

(10) **Patent No.:** **US D700,384 S**

(45) **Date of Patent:** **** Feb. 25, 2014**

(54) **SEARCHLIGHT**

(71) Applicant: **Wen-Sung Lee**, Taichung (TW)

(72) Inventor: **Wen-Sung Lee**, Taichung (TW)

(**) Term: **14 Years**

(21) Appl. No.: **29/445,883**

(22) Filed: **Feb. 19, 2013**

(51) **LOC (10) Cl.** **26-02**

(52) **U.S. Cl.**
USPC **D26/45**

(58) **Field of Classification Search**
USPC D26/45, 50, 48, 41, 44, 38, 37;
362/157, 158, 183, 184, 194-208
See application file for complete search history.

(56) **References Cited**

U.S. PATENT DOCUMENTS

D429,013 S *	8/2000	Poon	D26/45
D441,112 S *	4/2001	Krieger et al.	D26/45
D441,474 S *	5/2001	Poon	D26/45
D466,637 S *	12/2002	Gisser	D26/45
D518,214 S *	3/2006	Krieger et al.	D26/45
D522,153 S *	5/2006	Krieger et al.	D26/45
D561,923 S *	2/2008	Hsu	D26/45
D565,767 S *	4/2008	Ben-Moshe	D26/45
D603,540 S *	11/2009	Shum et al.	D26/45

D605,796 S *	12/2009	Crawford et al.	D26/45
D639,472 S *	6/2011	Sun	D26/48
D657,901 S *	4/2012	Cheung Shing Hei	D26/45
D658,796 S *	5/2012	Inskeep	D26/45
D662,240 S *	6/2012	Inskeep	D26/45
D673,705 S *	1/2013	Inskeep	D26/45
D673,706 S *	1/2013	Inskeep	D26/45
D673,707 S *	1/2013	Inskeep	D26/45
D683,490 S *	5/2013	Lee	D26/45

* cited by examiner

Primary Examiner — Ian Simmons

Assistant Examiner — Carissa C Fitts

(57) **CLAIM**

The ornamental design for a searchlight, as shown and described.

DESCRIPTION

FIG. 1 is a perspective view of a searchlight showing my new design;

FIG. 2 is a front elevational view thereof;

FIG. 3 is a rear elevational view thereof;

FIG. 4 is a left side view thereof;

FIG. 5 is a right side view thereof;

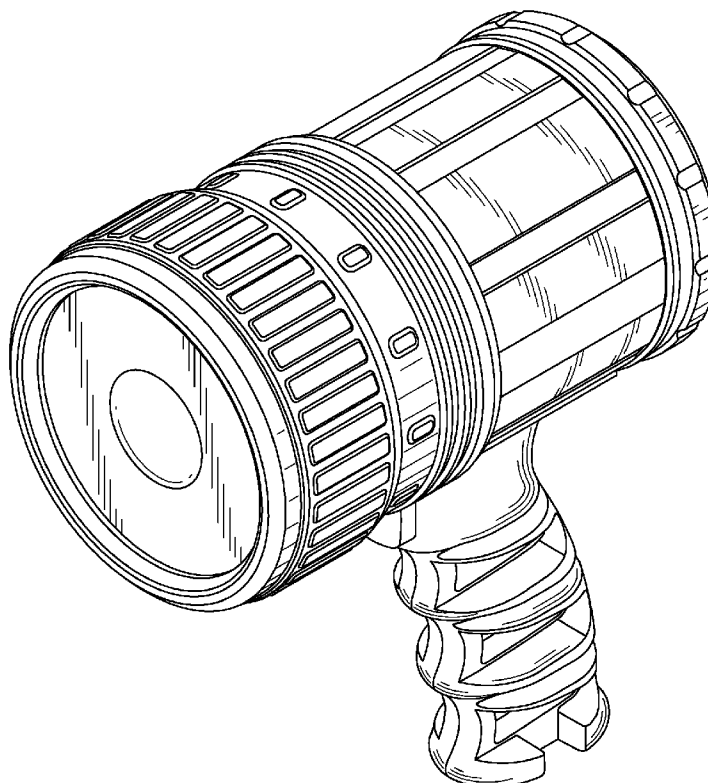
FIG. 6 is a top plan view thereof;

FIG. 7 is a bottom plan view thereof; and,

FIG. 8 is another perspective view thereof.

The broken line portions in FIGS. 4-5 and 7 are for illustrative purposes only and form no part of the claimed design.

1 Claim, 8 Drawing Sheets



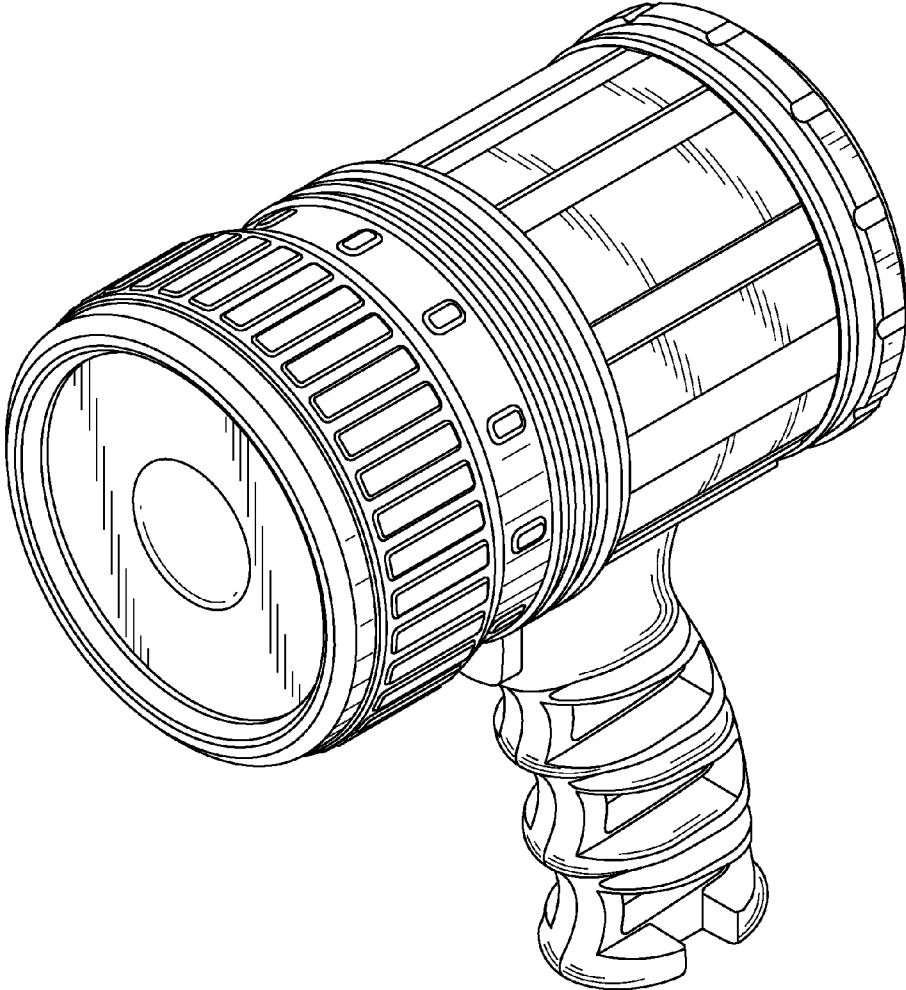


FIG.1

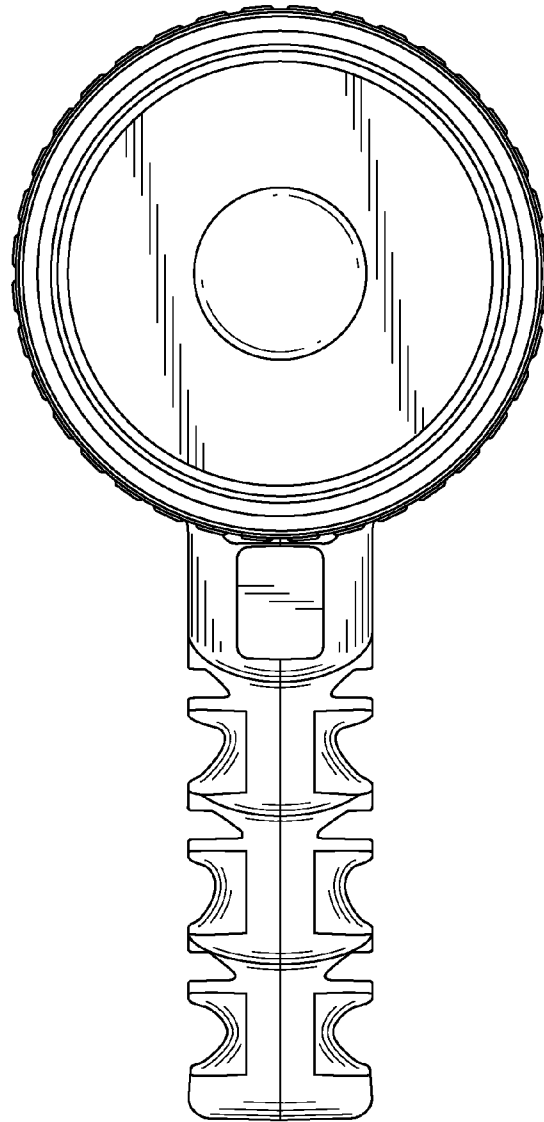


FIG.2

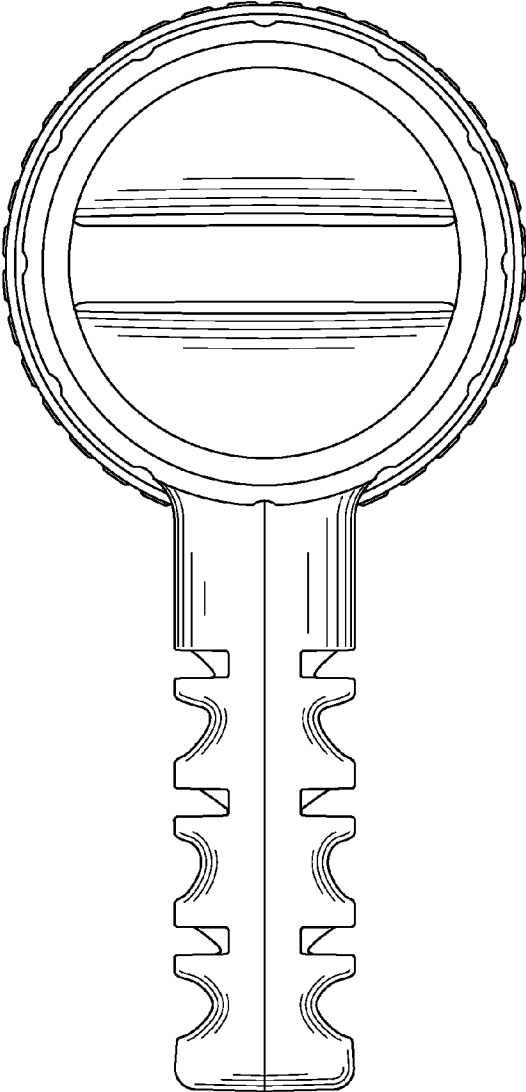


FIG.3

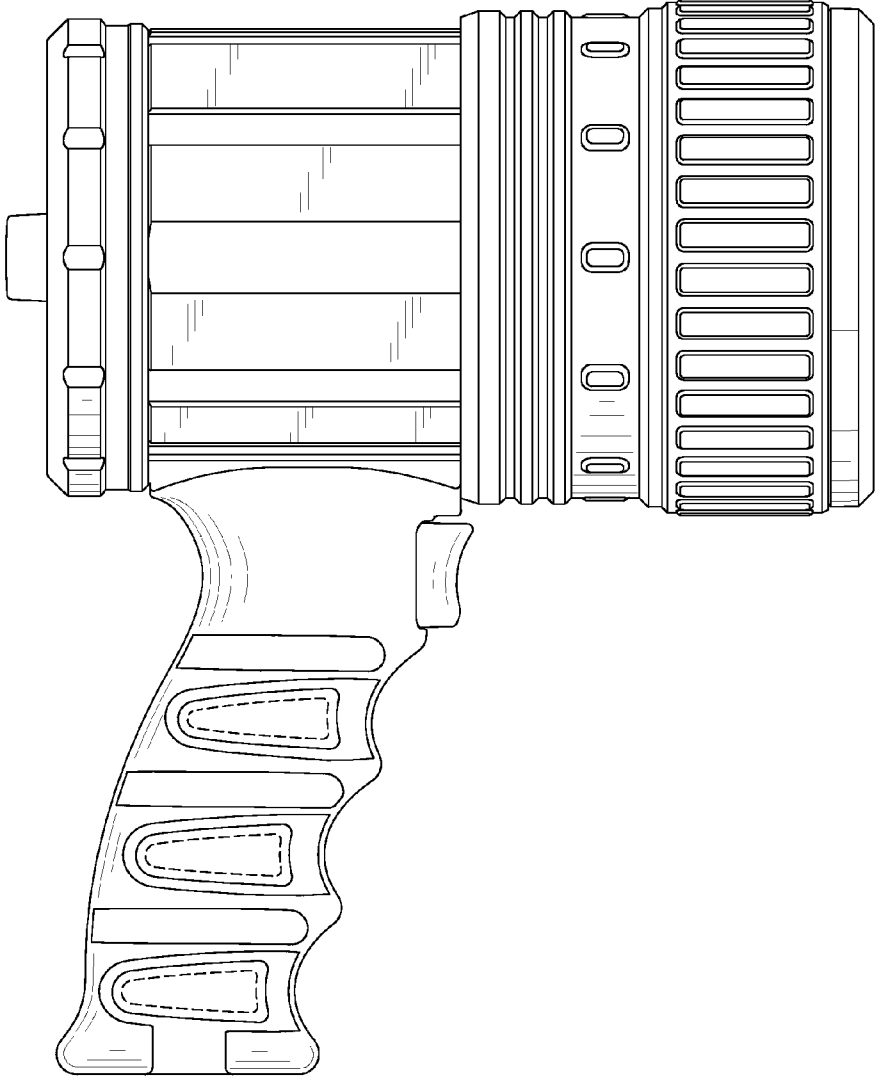


FIG.4

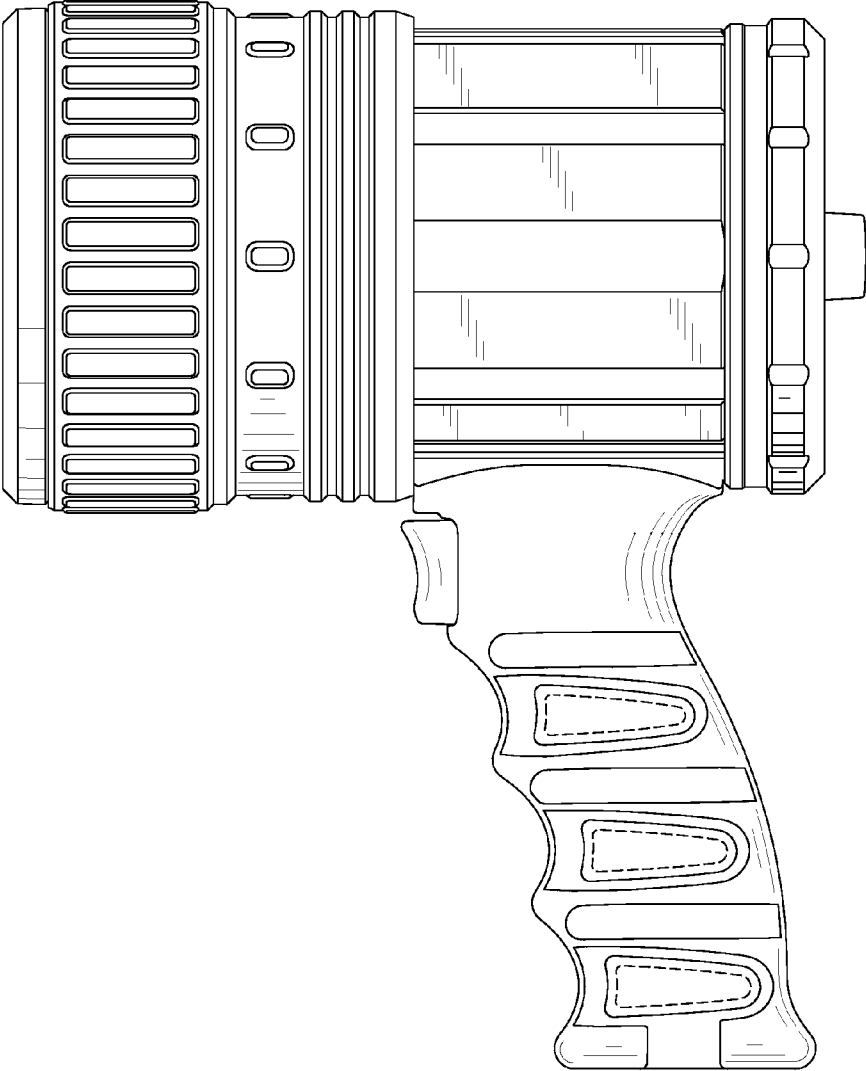


FIG.5

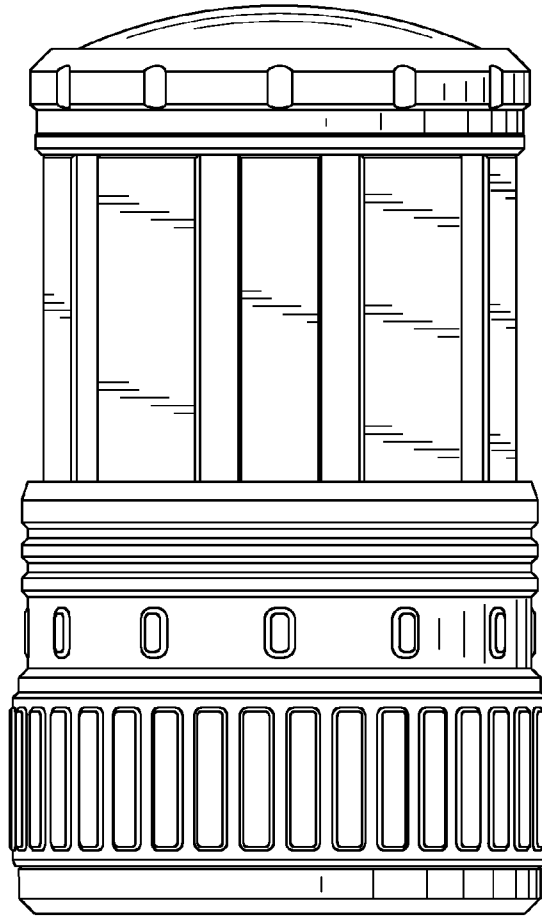


FIG.6

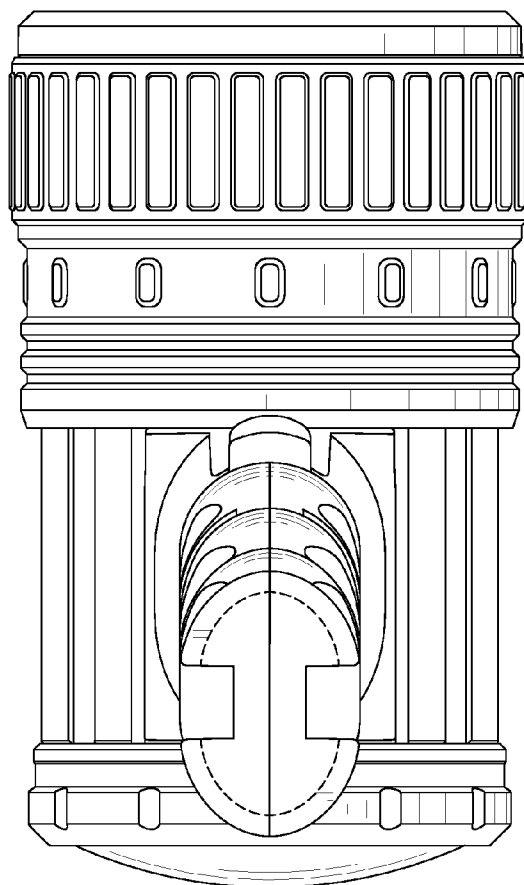


FIG.7

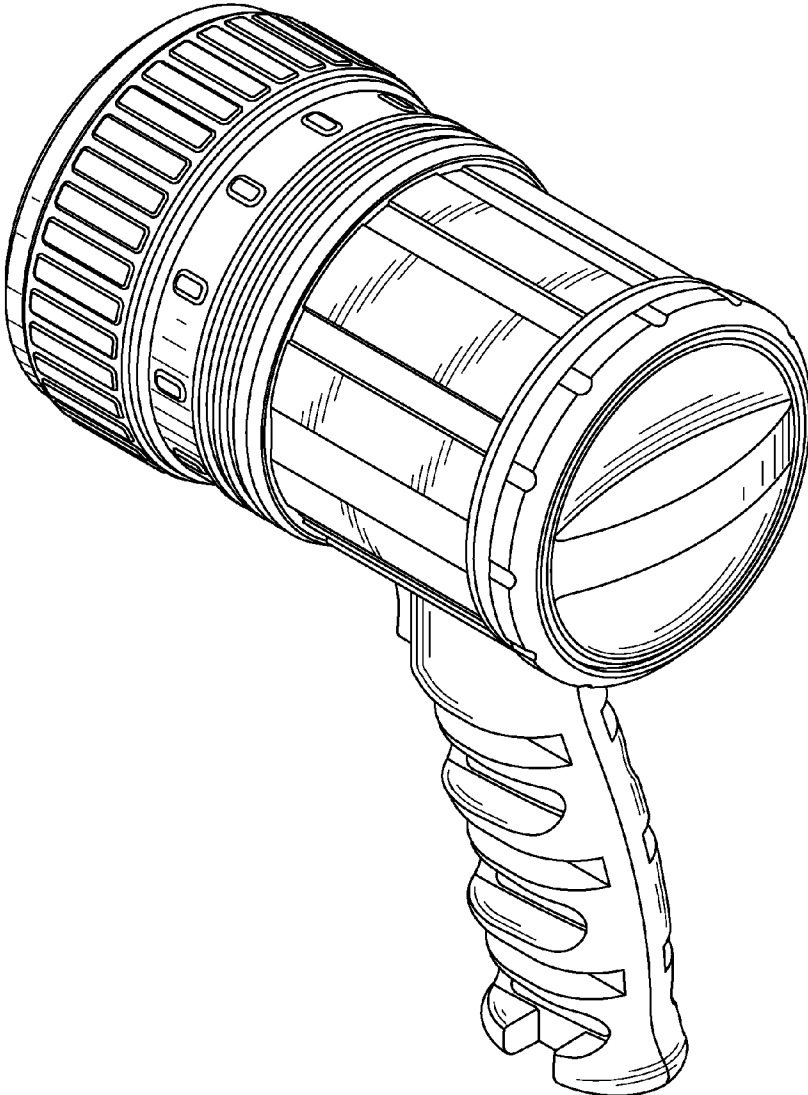


FIG.8