



US00D812274S

(12) **United States Design Patent**
Wu

(10) **Patent No.:** **US D812,274 S**

(45) **Date of Patent:** **** Mar. 6, 2018**

- (54) **VEHICLE LIGHT**
- (71) Applicant: **COPLUS INC.**, Tainan (TW)
- (72) Inventor: **Po-Hua Wu**, Tainan (TW)
- (73) Assignee: **Coplus Inc.**, Tainan (TW)
- (**) Term: **15 Years**
- (21) Appl. No.: **29/596,028**
- (22) Filed: **Mar. 3, 2017**

D735,911 S *	8/2015	O'Donnell	D26/28
D744,678 S *	12/2015	Lai	D26/28
D745,725 S *	12/2015	McMahan	D26/28
D749,246 S *	2/2016	Thole	D26/28
D761,458 S *	7/2016	Chung	D26/28
D770,068 S *	10/2016	Kapitonov	D26/28
D771,294 S *	11/2016	Tsai	D26/28
D771,852 S *	11/2016	Tsai	D26/28
D792,618 S *	7/2017	Wu	D26/28
D792,619 S *	7/2017	Wu	D26/28
D796,708 S *	9/2017	Lai	D26/28

* cited by examiner

Primary Examiner — Angela J Lee

(74) *Attorney, Agent, or Firm* — Lewis Roca Rothgerber Christie LLP

(30) **Foreign Application Priority Data**

Oct. 12, 2016 (TW) 105302719D02

(51) **LOC (11) Cl.** **26-07**

(52) **U.S. Cl.**
USPC **D26/28**

(58) **Field of Classification Search**
USPC D26/28–36; 362/459–468, 475–478,
362/485–487

CPC F21S 48/00; F21S 48/10; F21S 48/115;
F21S 48/225; F21S 48/1233; F21S
48/1266; F21S 48/1388; F21S 48/2268;
F21V 21/04

See application file for complete search history.

(56) **References Cited**

U.S. PATENT DOCUMENTS

D604,874 S *	11/2009	Golden	D26/28
D703,847 S *	4/2014	MacKay	D26/28

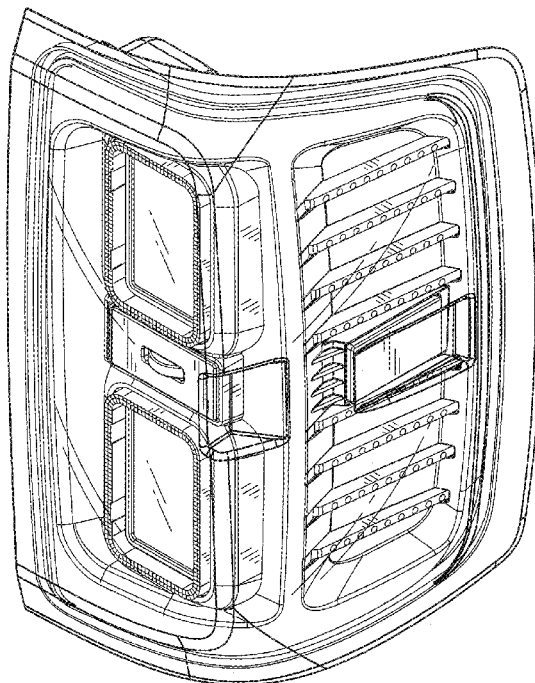
(57) **CLAIM**

The ornamental design for vehicle light, as shown and described.

DESCRIPTION

FIG. 1 is a perspective view of the vehicle light;
FIG. 2 is a front view thereof;
FIG. 3 is a rear view thereof;
FIG. 4 is a left side view thereof;
FIG. 5 is a right side view thereof;
FIG. 6 is a top view thereof; and,
FIG. 7 is a bottom view thereof.

1 Claim, 6 Drawing Sheets



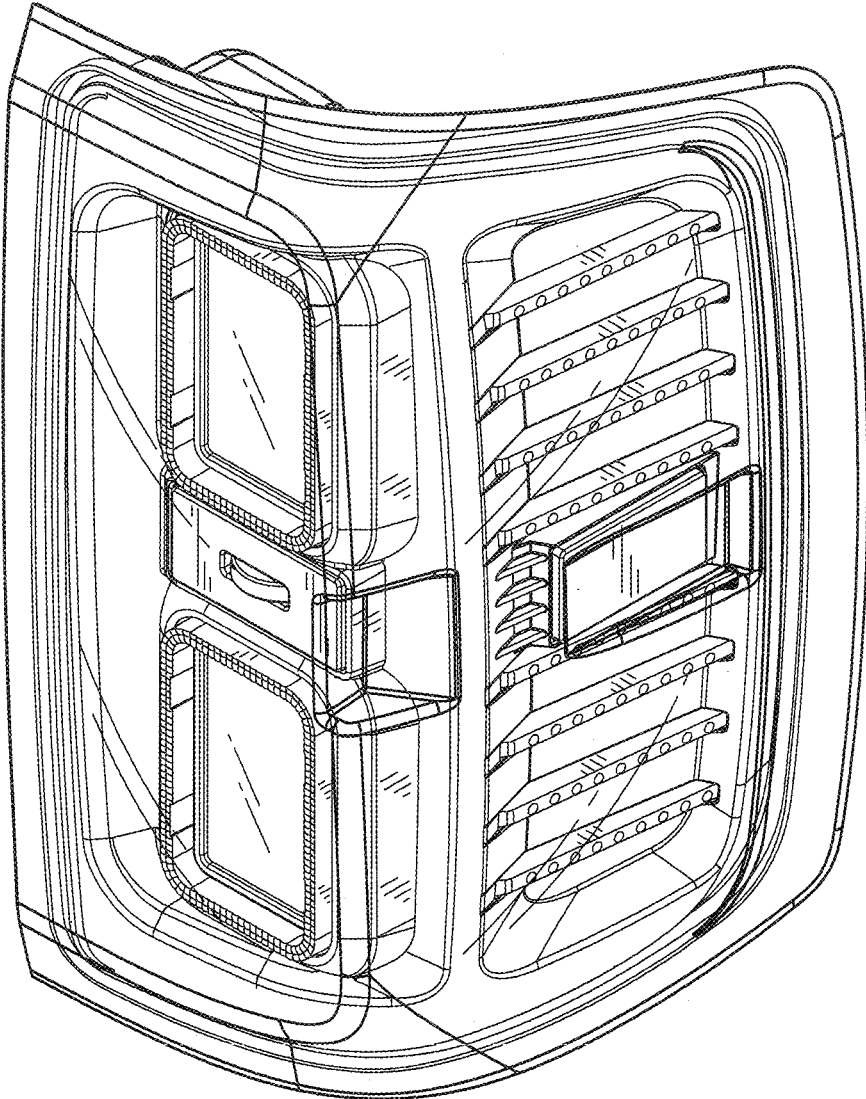


FIG. 1

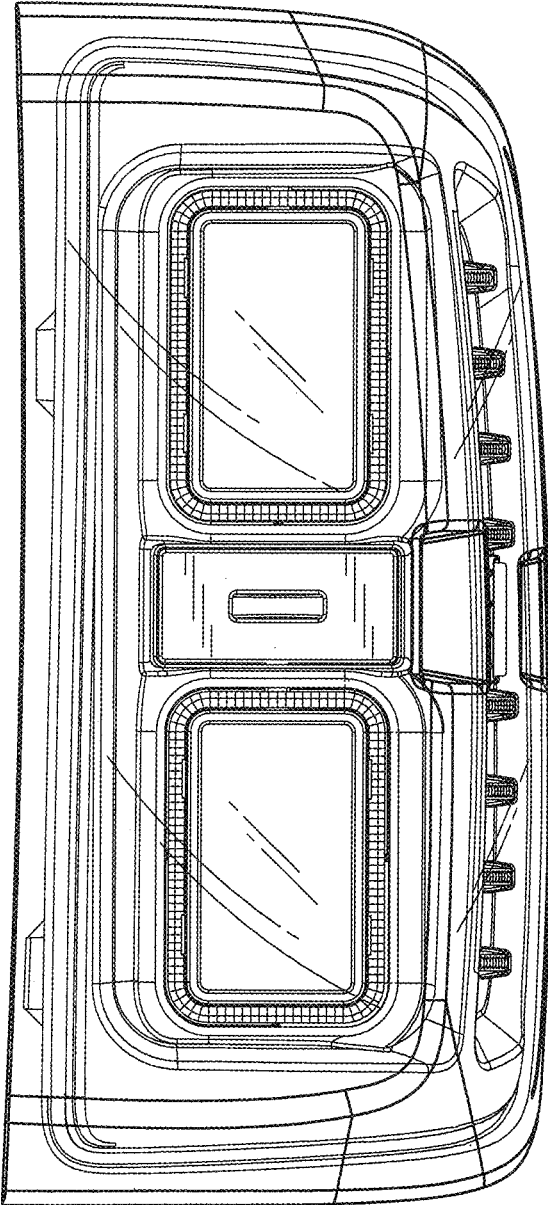


FIG. 2

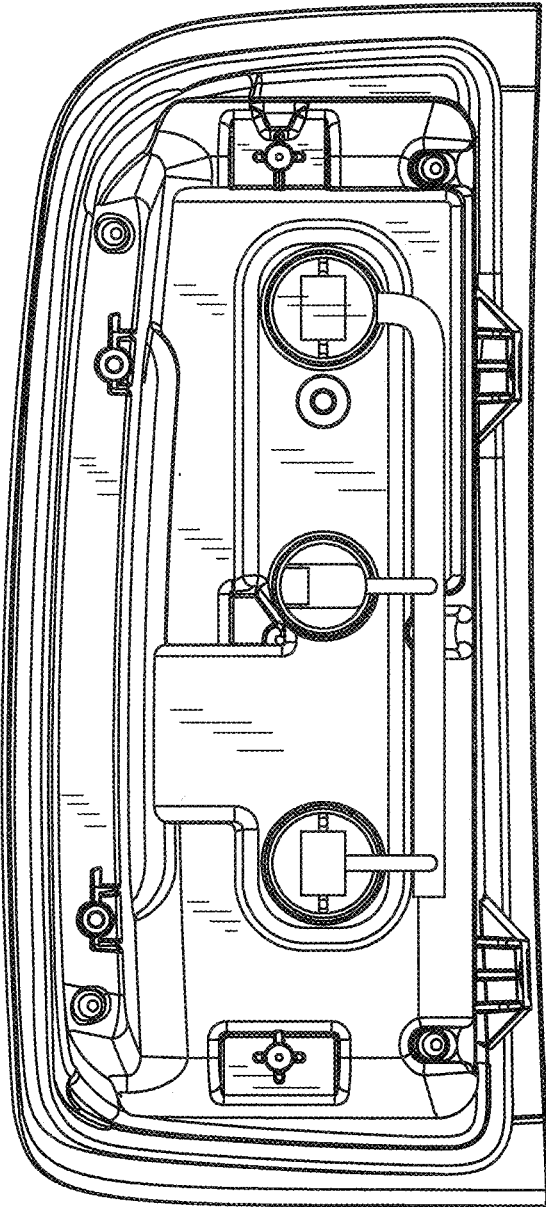


FIG. 3

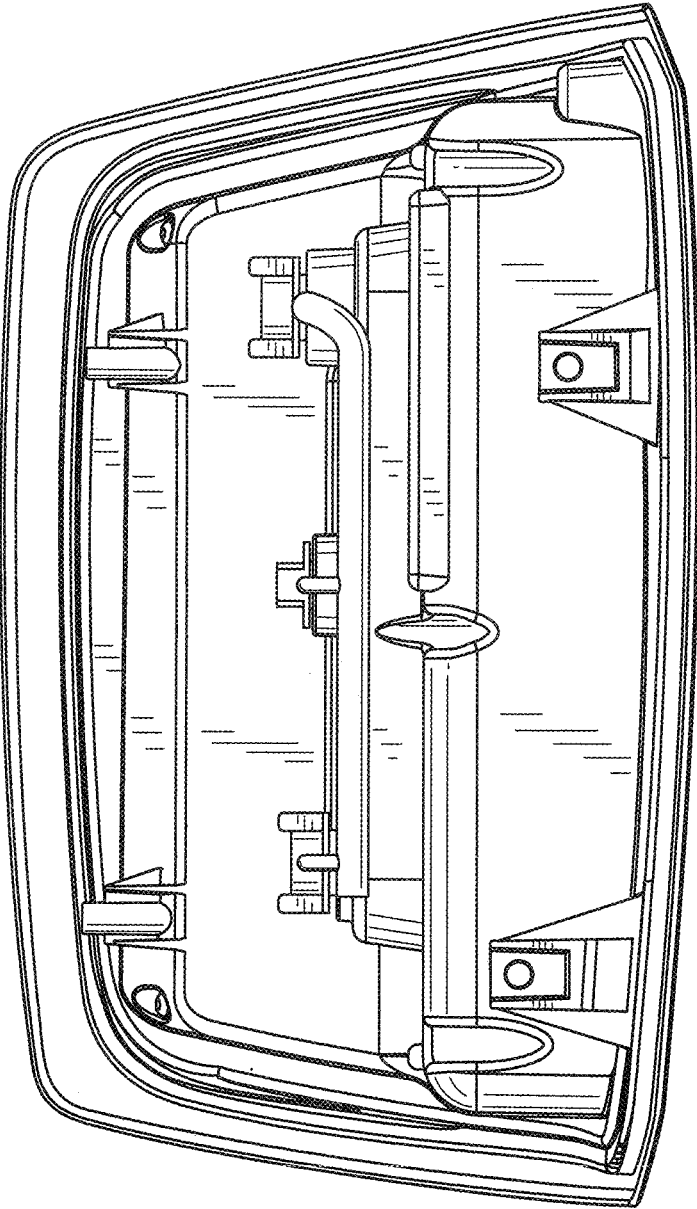


FIG. 4

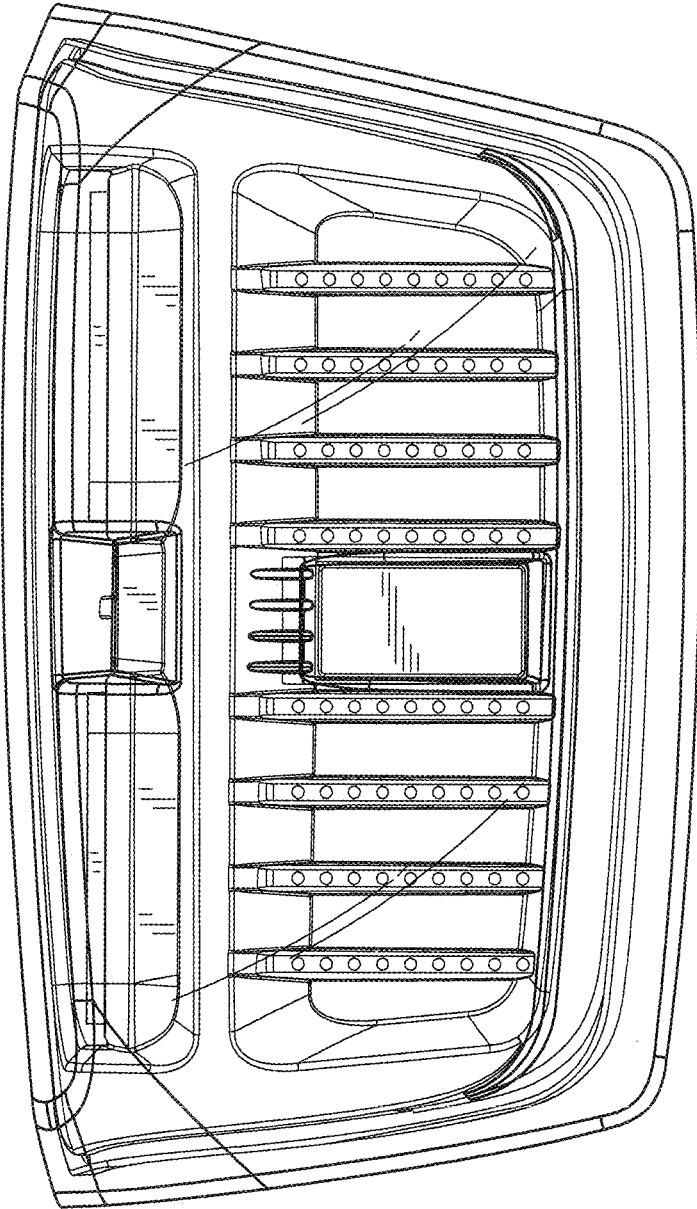


FIG. 5

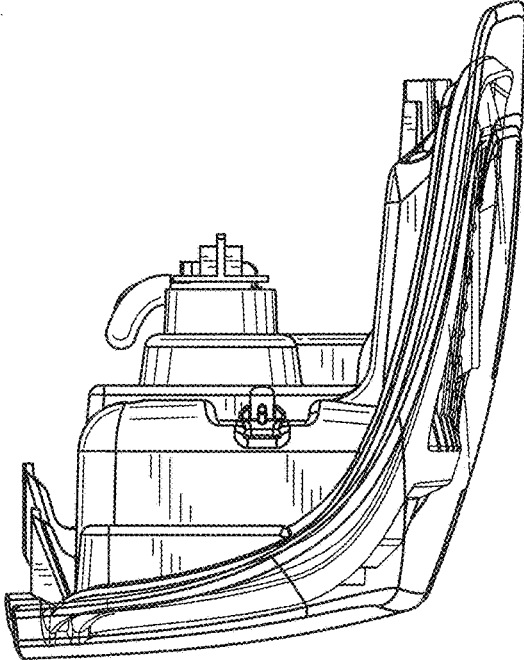


FIG. 6

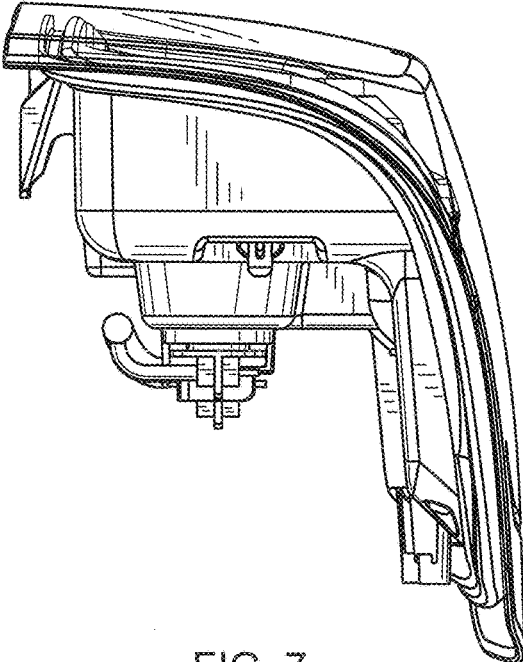


FIG. 7