



US00D341240S

# United States Patent [19]

[11] Patent Number: **Des. 341,240**

Roman

[45] Date of Patent: **\*\* Nov. 9, 1993**

[54] **HOSE CART**

D. 288,496	2/1987	Brownlie .....	D34/26
D. 330,847	11/1992	Clivio .....	D8/359
5,056,553	10/1991	Whitehead et al. ....	137/355.27

[75] Inventor: **Gianfranco Roman, Pasiano, Italy**

[73] Assignee: **Claber S.P.A., Italy**

[\*\*] Term: **14 Years**

### FOREIGN PATENT DOCUMENTS

1069332	7/1954	France .....	280/47.24
---------	--------	--------------	-----------

[21] Appl. No.: **828,727**

*Primary Examiner*—Kay H. Chin  
*Attorney, Agent, or Firm*—Eckert Seamans Cherin & Mellott

[22] Filed: **Jan. 31, 1992**

### [30] Foreign Application Priority Data

Jul. 31, 1991 [IT] Italy ..... MI91 0 000579

[52] U.S. Cl. .... **D34/24; D8/359**

[58] Field of Search ..... **D34/12, 26, 24; 280/47.24; D8/359; 242/86.2; 137/355.16, 355.27**

### [57] CLAIM

The ornamental design for hose cart, as shown and described.

### DESCRIPTION

FIG. 1 is a frontal perspective view of my new hose cart;  
FIG. 2 is a lateral view thereof;  
FIG. 3 is a top view thereof;  
FIG. 4 is a frontal view thereof; and,  
FIG. 5 is a rear view thereof.

### [56] References Cited

#### U.S. PATENT DOCUMENTS

Re. 32,510 9/1987 Tisbo et al. .... D34/12

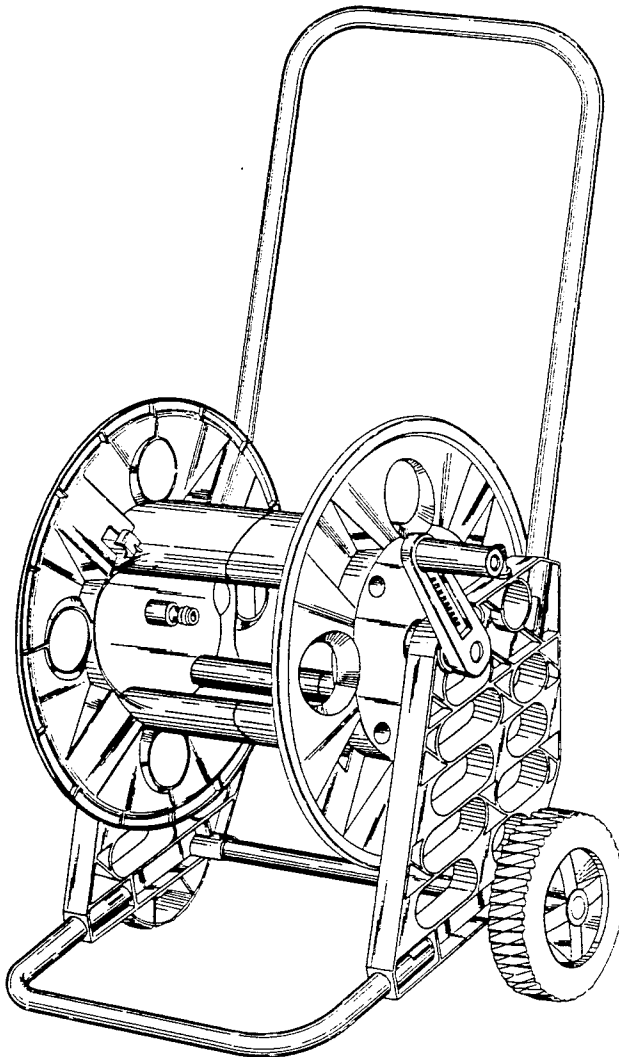


Fig.1

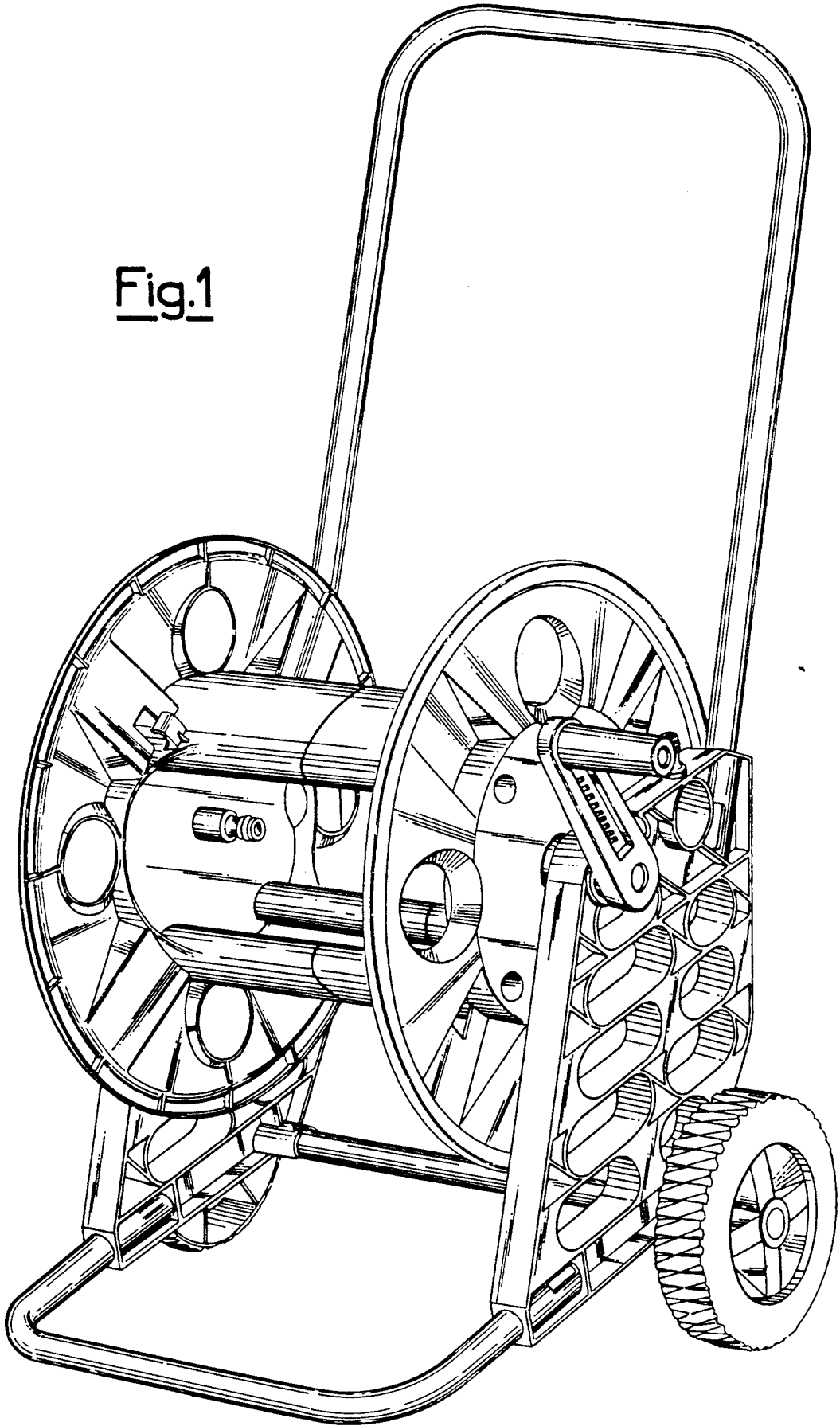


Fig.2

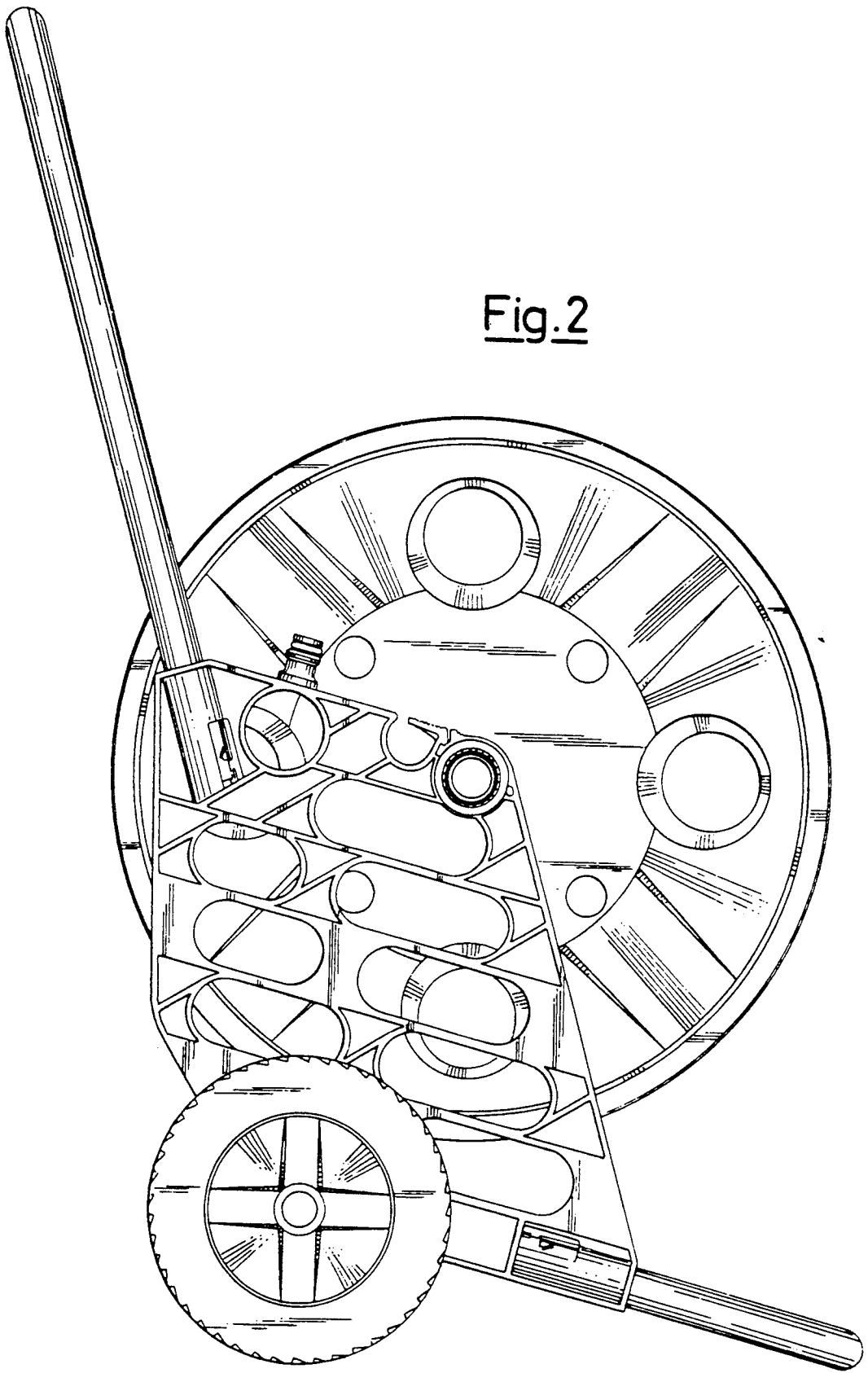
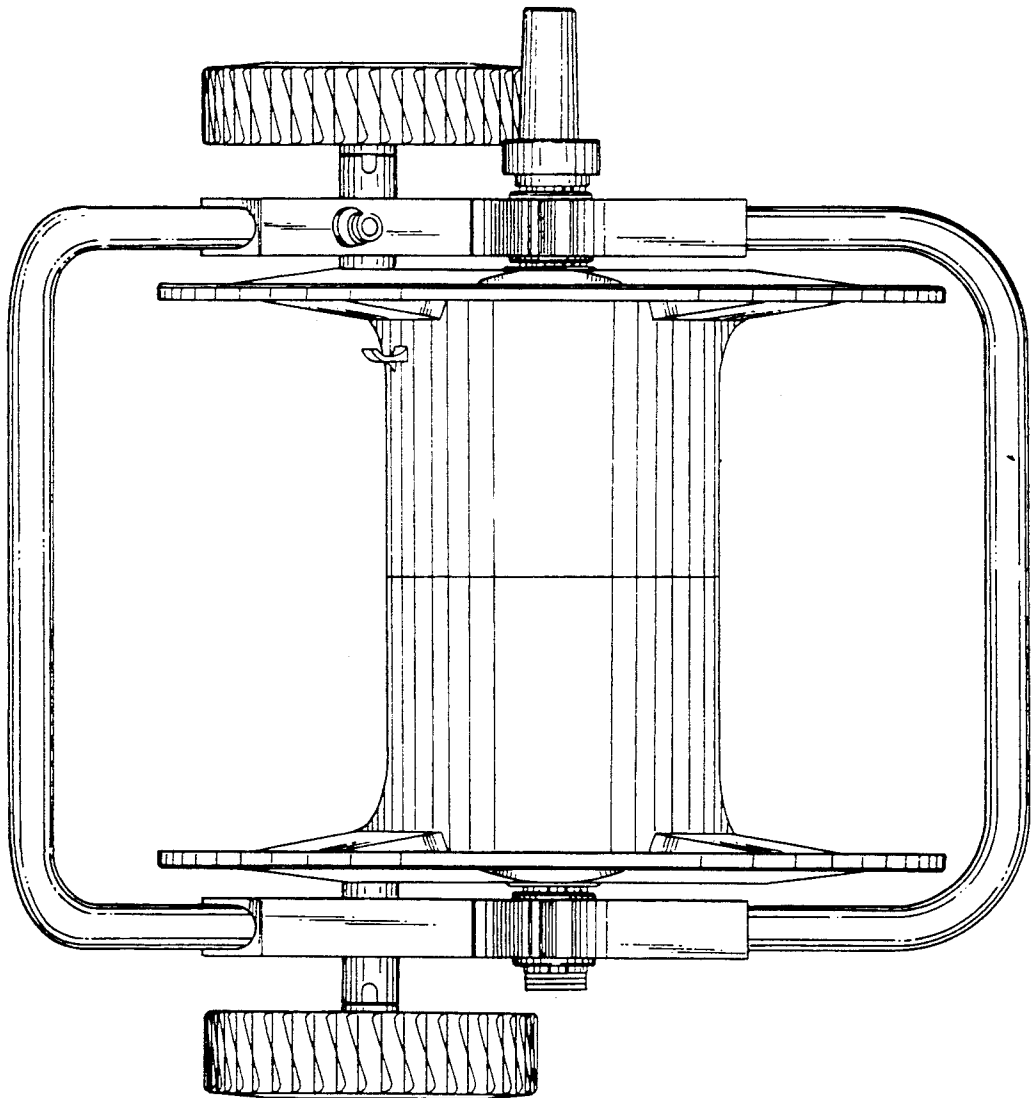


Fig.3



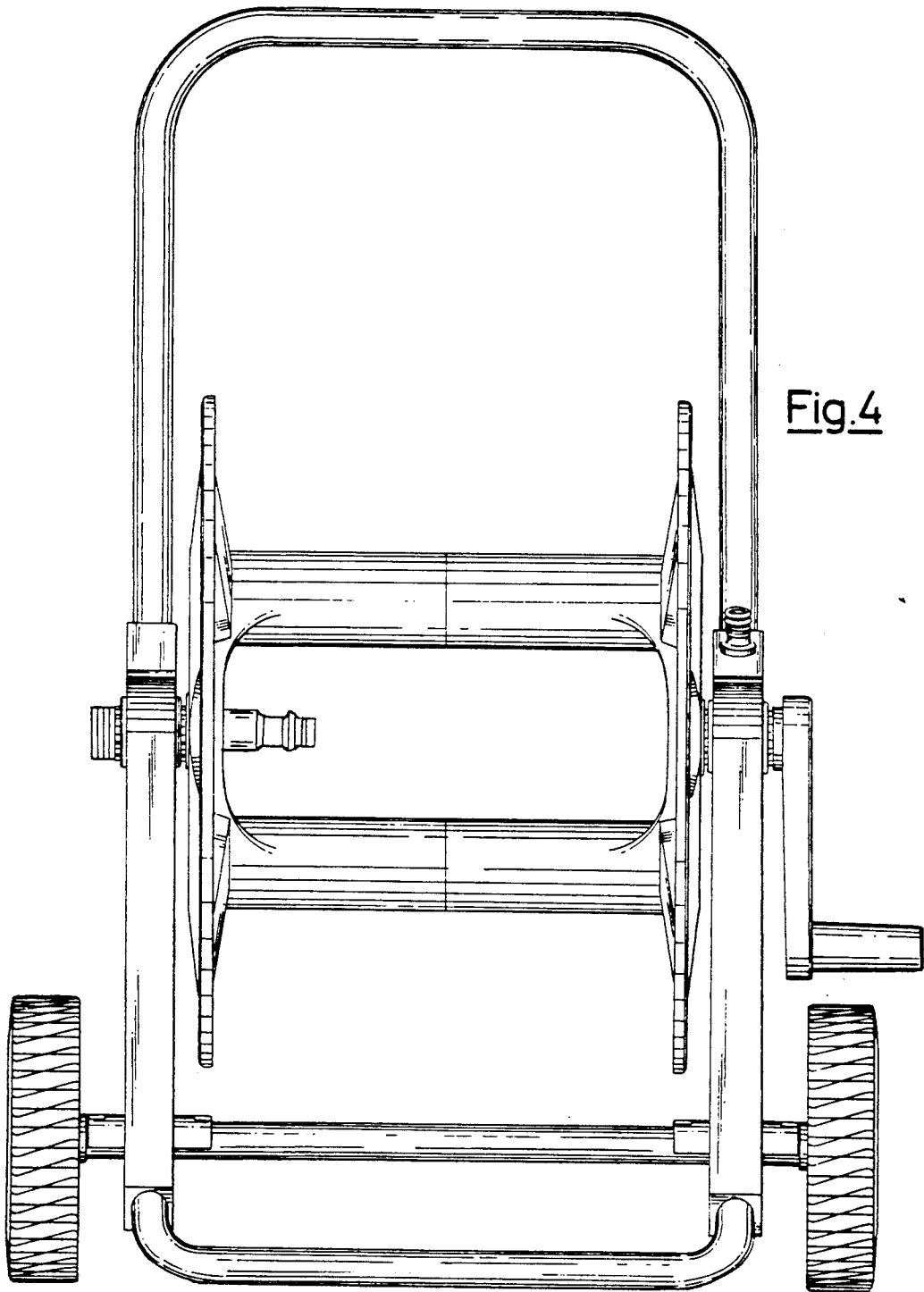


Fig. 4

Fig. 5

