



- (51) International Patent Classification:
B29C 45/43 (2006.01) B29C 45/76 (2006.01)
- (21) International Application Number:
PCT/CA2012/050408
- (22) International Filing Date:
20 June 2012 (20.06.2012)
- (25) Filing Language: English
- (26) Publication Language: English
- (30) Priority Data:
61/514,931 4 August 2011 (04.08.2011) US
- (71) Applicant (for all designated States except US): **HUSKY INJECTION MOLDING SYSTEMS LTD.** [CA/CA]; 500 Queen Street South, Bolton, Ontario L7E 5S5 (CA).
- (72) Inventors; and
- (75) Inventors/Applicants (for US only): **WITZ, Jean-christophe** [FR/FR]; 51, rue des Romains, F-57970 Yutz (FR). **KMOCH, Sven** [DE/DE]; Unterm Wingert, 27, 54518 Platten (DE).
- (74) Agent: **HUSKY INTELLECTUAL PROPERTY SERVICES**; c/o Husky Injection Molding System Ltd., 500 Queen Street South, Bolton, Ontario L7E 5S5 (CA).

- (81) Designated States (unless otherwise indicated, for every kind of national protection available): AE, AG, AL, AM, AO, AT, AU, AZ, BA, BB, BG, BH, BR, BW, BY, BZ, CA, CH, CL, CN, CO, CR, CU, CZ, DE, DK, DM, DO, DZ, EC, EE, EG, ES, FI, GB, GD, GE, GH, GM, GT, HN, HR, HU, ID, IL, IN, IS, JP, KE, KG, KM, KN, KP, KR, KZ, LA, LC, LK, LR, LS, LT, LU, LY, MA, MD, ME, MG, MK, MN, MW, MX, MY, MZ, NA, NG, NI, NO, NZ, OM, PE, PG, PH, PL, PT, QA, RO, RS, RU, RW, SC, SD, SE, SG, SK, SL, SM, ST, SV, SY, TH, TJ, TM, TN, TR, TT, TZ, UA, UG, US, UZ, VC, VN, ZA, ZM, ZW.
- (84) Designated States (unless otherwise indicated, for every kind of regional protection available): ARIPO (BW, GH, GM, KE, LR, LS, MW, MZ, NA, RW, SD, SL, SZ, TZ, UG, ZM, ZW), Eurasian (AM, AZ, BY, KG, KZ, RU, TJ, TM), European (AL, AT, BE, BG, CH, CY, CZ, DE, DK, EE, ES, FI, FR, GB, GR, HR, HU, IE, IS, IT, LT, LU, LV, MC, MK, MT, NL, NO, PL, PT, RO, RS, SE, SI, SK, SM, TR), OAPI (BF, BJ, CF, CG, CI, CM, GA, GN, GQ, GW, ML, MR, NE, SN, TD, TG).

Declarations under Rule 4.17:

— as to applicant's entitlement to apply for and be granted a patent (Rule 4.17(ii))

[Continued on next page]

(54) Title: A MOLD COMPONENT HAVING A RESIDUE CLEANING FEATURE

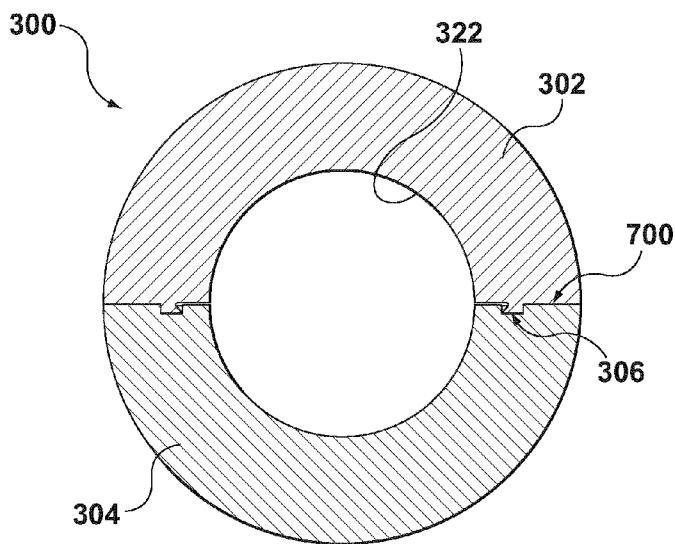


FIG. 3A

(57) Abstract: There is provided a method of cleaning of a portion of a mold component, the portion of the mold component including a passage configured, in use, to allow passage of fluid and to prevent passage of melt, the method comprising: entering the mold component into a cleaning configuration, whereby a portion of the passage becomes part of a molding surface; performing a molding cycle to fill in at least the portion of the passage with molding material for incorporation and removal of a residue (330) therefrom. There is also provided a neck ring comprising a molding surface defining a portion of a molding cavity, a venting structure for evacuating the air comprising a primary vent area, a secondary vent area, and a pocket groove in fluid communication with both the primary vent area and the secondary vent area.

WO 2013/016816 A1

— *of inventorship (Rule 4.17(iv))*

Published:

— *with international search report (Art. 21(3))*

A MOLD COMPONENT HAVING A RESIDUE CLEANING FEATURE

FIELD OF THE INVENTION

The present invention generally relates to, but is not limited to, molding systems, and more specifically the present invention relates to, but is not limited to, a mold component having a residue cleaning feature.

BACKGROUND OF THE INVENTION

Molding is a process by virtue of which a molded article can be formed from molding material by using a molding system. Various molded articles can be formed by using the molding process, such as an injection molding process. One example of a molded article that can be formed, for example, from Polyethylene Terephthalate (PET) material is a preform that is capable of being subsequently blown into a beverage container, such as, a bottle and the like.

As an illustration, injection molding of PET material involves heating the molding material (ex. PET pellets, etc.) to a homogeneous molten state and injecting, under pressure, the so-melted PET material into a molding cavity defined, at least in part, by a female cavity piece and a male core piece mounted respectively on a cavity plate and a core plate of the mold. The cavity plate and the core plate are urged together and are held together by clamp force, the clamp force being sufficient enough to keep the cavity and the core pieces together against the pressure of the injected PET material. The molding cavity has a shape that substantially corresponds to a final cold-state shape of the molded article to be molded. The so-injected PET material is then cooled to a temperature sufficient to enable ejection of the so-formed molded article from the mold. When cooled, the molded article shrinks inside of the molding cavity and, as such, when the cavity and core plates are urged apart, the molded article tends to remain associated with the core piece. Accordingly, by urging the core plate away from the cavity plate, the molded article can be demolded, i.e. ejected off of the core piece. Ejection structures are known to assist in removing the molded articles from the core halves. Examples of the ejection structures include stripper plates, ejector pins, etc.

When dealing with molding a preform that is capable of being blown into a beverage container, one consideration that needs to be addressed is forming a so-called "neck portion". Typically and as an example, the neck portion includes (i) threads (or other suitable structure) for

accepting and retaining a closure assembly (ex. a bottle cap), and (ii) an anti-pilferage assembly configured to cooperate, for example, with the closure assembly to indicate whether the end product (i.e. the beverage container that has been filled with a beverage and shipped to a store) has been tampered with in any way. The neck portion may comprise other additional elements used for various purposes, for example, to cooperate with parts of the molding system (ex. a support ledge, etc.). As is appreciated in the art, the neck portion can not be easily formed by using the cavity and core halves. Traditionally, split mold inserts (sometimes referred to by those skilled in the art as “neck rings”) have been used to form the neck portion.

With reference to Figure 1, a section along a portion of an injection mold 50 illustrates a portion of typical molding insert stack assembly 60 that is arranged within a molding system (not depicted). The description of Figure 1 that will be presented herein below will be greatly simplified, as it is expected that one skilled in the art will appreciate general configuration of other components of the injection mold 50 that will not be discussed in the following description.

The molding insert stack assembly 60 includes a neck ring insert pair 52 that together with a mold cavity insert 54, a gate insert (not shown) and a core insert 61 define a molding cavity (not separately numbered) where molding material can be injected to form a molded article, such as a perform 63. In order to facilitate forming of the neck portion of the preform 63 and subsequent removal of the preform 63, the neck ring insert pair 52 comprises a pair of complementary neck ring inserts that are mounted on adjacent slides of a slide pair 68. The slide pair 68 is slidably mounted on a top surface of a stripper plate 66. As commonly known, and as, for example, generally described in United States patent 6,799,962 to Mai et al (granted on October 5, 2004), the stripper plate 66 is configured to be movable relative to a cavity plate assembly 74 and a core plate assembly (not depicted), when the mold is arranged in an open configuration, whereby the slide pair 68, and the complementary neck ring insert pair 52 mounted thereon, can be laterally driven, via a cam arrangement or some other means (not shown), for the release of the molded article from the molding cavity.

A typical neck ring insert has a body that includes a pair of projecting portions 70 that extend from a top and a bottom face of a flange portion 72 (i.e. a top projecting portion and a bottom projecting portion). Typically, the bottom face of the flange portion 72 abuts, in use, a top surface of the slide pair 68. Even though not depicted in Figure 1, one skilled in the art will appreciate that the neck ring insert pair 52 cooperates with suitable fasteners for connecting to a

respective one of the slide pair 68. In use, during certain portions of a molding cycle, the top projecting portion cooperates with a female receptacle disposed on the cavity plate assembly 74.

Figure 2 depicts an example of a prior art implementation of a neck ring 200 of the neck ring insert pair 52. More specifically, Figure 2 depicts a front planar view of the neck ring 200. The neck ring 200 comprises a molding surface 202 for forming, in use, various portions of the neck finish of the preform and a mating surface 204 for abutting, in use, another one of the neck ring 200. The neck ring 200 further includes a venting structure 206. The venting structure 206 comprises (i) an air vent groove 208 for collecting and venting, in use, excess air from the molding cavity as it is being filled with the molding material and (ii) an air collector groove 210 in fluid communication with the air vent groove 208 for providing an evacuation path for the air to be vented from the vent groove 208.

US patent 7,939,009 issued to Balboni, et al. on May 10th, 2011 discloses a preform that is formed by an upper neck which maintains unchanged its form in the final object and a hollow body, joined to the neck. The method foresees the insertion, within a matrix cavity, of a metered body of polymeric material whose mass is metered according to a reference value, and the subsequent pressure insertion of a punch within the matrix cavity until it closes the mold's molding chamber, the punch conferring the shape to the inner surface of the preform and the matrix having an inner surface which confers the shape to the outer surface of the preform. According to the invention, in the molding of the preform, the error of the mass of the metered body with respect to the reference value is distributed in the hollow body, which undergoes a subsequent hot deformation until it achieves the final shape. In the mold, the matrix comprises at least one deformable wall (31) whose inner surface defines at least part of the inner surface of the matrix part intended to give form to the hollow body of the preform, said deformable wall (31) having, at least in part, a relatively thin thickness which permits it to be elastically deformed under the pressure of the polymeric material in the final preform molding step, thereby varying the thickness of the hollow body.

US patent 7,128,865 issued to Martin on October 31, 2006 discloses an injection molding method and apparatus for ejecting a molded plastic preform from a mold. A first lifting structure and/or step is configured to have an inner surface with an area for sealing and aligning with a complementary surface on a core, and to have an upper surface with an area for sealing and aligning with a complementary surface on a second lifting structure, said upper surface of said first lifting structure being configured to lift a molded plastic preform from the injection mold in

a lifting direction for a first period of time, the lower portion of the molded plastic preform lying in a plane substantially perpendicular to the lifting direction. A second lifting structure and/or step is configured to have an inner surface configured to lift an outer surface of the molded plastic preform from the injection mold in the lifting direction for a second period of time, the
5 outer surface of the molded plastic preform including structure lying in a plane substantially parallel with the lifting direction. Since the molded plastic preform is lifted by its end, the preform does not have to be solidified at its interior, thus allowing earlier removal of the preform from the mold, reducing cycle time.

US patent 7,481,642 issued to Niewels on January 27th, 2009 discloses a method and apparatus
10 for controlling a vent gap in a mold for an injection molding machine, which include an active material insert configured to be regulate the degree of opening of the vent gap. The active material insert is configured to be actuated in response to signals from a controller, so as to selectively block the opening of the vent gap during the molding process. Wiring structure is coupled to the active material insert, and is configured to carry the actuation signals. Melt flow
15 sensors may also be provided to aid in regulating the vent gap, and may be connected to the controller in order to provide real-time closed loop control over the operation of the vent gap. Preferably, the methods and apparatus are used as part of a system for controlling the flow of melt within a mold cavity.

SUMMARY OF THE INVENTION

20 According to a first broad aspect of the present invention, there is provided a method of cleaning of a portion of a mold component, the portion of the mold component including a passage configured, in use, to allow passage of fluid (such as air) and to prevent passage of melt, the method comprising: entering the mold component into a cleaning configuration, whereby a portion of the passage becomes part of a molding surface; performing a molding cycle to fill in
25 at least the portion of the passage with molding material for incorporation and removal of a residue therefrom.

According to a second broad aspect of the present invention, there is provided a mold component configured to be actuated between: a first configuration in which the mold component comprises a passage that allows passage of fluid (such as air) and prevents passage of the melt; and a
30 second configuration in which the passage is actuated such as to become part of a molding surface.

According to a third broad aspect of the present invention, there is provided a neck ring for defining at least a portion of a neck portion of a preform, the neck ring comprising: a molding surface defining a portion of a molding cavity for defining the at least a portion of the neck portion of the preform; a venting structure for evacuating the fluid, in use, from the molding cavity, the venting structure including: a primary vent groove; a secondary vent groove; a pocket groove in fluid communication with both the primary vent groove and the secondary vent groove.

According to a fourth broad aspect of the present invention, there is provided a method of operating a mold comprising: maintaining a neck ring in a standard molding configuration and executing at least one molding cycle; actuating the neck ring into a vent cleaning configuration and executing at least one molding cycle in the vent cleaning configuration to remove residue from at least a primary vent groove of the neck ring.

According to another broad aspect of the present invention, there is provided a distance augmenting structure for use in an injection molding machine between a first machine component and a second machine component, the distance augmenting structure comprising: a base operatively attachable, in use, to one of the first machine component and a second machine component; an actuator, a distance adjustment insert operatively coupled to the actuator, the actuator being configured to translate the distance adjustment insert between an outbound position in which position the distance adjustment insert is positioned away from the first machine component and the second machine component; and an in-bound position, in which the distance adjustment insert is positioned between the first machine component and the second machine component, in which inbound position the distance adjustment insert is configured to increase distance between the first machine component and the second machine component.

According to yet another broad aspect of the present invention, there is provided a method of operating a mold, the mold comprising a first mold half and a second mold half, the first mold half and the second mold half defining a passage configured, in use, to allow passage of fluid and to prevent passage of melt, the method comprising: maintaining the mold in a standard molding configuration and executing at least one molding cycle; actuating the first mold half and the second mold half into a cleaning configuration and executing at least one molding cycle in the cleaning configuration to remove residue from at least a portion of the passage.

Figures 8A – 8C depict a top view of a portion of an injection molding machine 800, implemented in accordance with embodiments of the present invention.

Figure 9 depicts a section view of a mold in accordance with another embodiment of the present invention, the mold being in a standard molding configuration.

5 Figure 10 depicts a section view of the mold of Figure 9 in a cleaning configuration.

The drawings are not necessarily to scale and are may be illustrated by phantom lines, diagrammatic representations and fragmentary views. In certain instances, details that are not necessary for an understanding of the non-limiting embodiments or that render other details difficult to perceive may have been omitted.

10 DETAILED DESCRIPTION OF EMBODIMENTS

With reference to Figures 6 and 7, there is depicted a perspective view of a neck ring 300, the neck ring 300 being suitable for implementation of embodiments of the present invention. Figure 6 depicts a perspective view of the entirety of the neck ring 300, while Figure 7 depicts a perspective view of a portion of the neck ring 300. The neck ring 300 comprises of two halves
15 thereof, the halves of the neck ring 300 defining therebetween a shut off face 700.

Further description will make continued reference to Figures 6 and 7, and will make reference to Figures 3A – 3F, which depict the neck rings 300 in various stages of the molding and vent cleaning cycles, as will be described in greater detail herein below.

In particular, Figure 3A depicts a schematic representation of the top view of the neck ring 300
20 in a “standard molding configuration”, the neck ring 300 being implemented in accordance with non-limiting embodiments of the present invention. Figure 3B depicts a portion of the neck ring 300 of figure 3A in greater detail. The neck ring depicted in Figure 3A comprises a first body portion 302 and a second body portion 304. In the embodiment being depicted herein, the first body portion 302 and the second body portion 304 are embodied in a first neck ring half and a
25 second neck ring half. Defined between the first body portion 302 and the second body portion 304 is the aforementioned shut off face 700. Within the shut off face 700, there is provided a venting structure 306. The general purpose of the venting structure 306, much akin to the prior art implementation of the venting structure, is for collecting and venting, in use, excess fluid (such as air) from the molding cavity and providing an evacuation path for such vented air.
30 Within these embodiments, the venting structure 306 comprises a primary vent area 308 and a

secondary vent area 310. It is noted that “vent area” is also referred to by some skilled in the art as “vent grooves”, but it is not so limited. In the depicted embodiments, the primary vent area 308 and the secondary vent area 310 are implemented as cooperating (or tandem) structures. As an example only and by no means as a limitation, the primary vent area 308 and the secondary
5 vent area 310 are implemented as parallel to each other, but other spatial relationship can be implemented in alternative embodiments of the present invention.

There is also defined a pocket groove 312, located in-between and in fluid communication with the primary vent area 308 and the secondary vent area 310. In the specific example depicted herein, the pocket groove 312 is generally triangular in shape. However, this needs not be so in
10 every embodiments of the present invention and the shape of the pocket groove 312 can be implemented differently. In other words, the pocket groove 312 can be implemented in a different form factor. The general purpose for the pocket groove 312 is to provide a reservoir for rapid evacuation of fluid (such as air) from the molding cavity through the primary vent area 308.

15 Recalling that the neck ring 300 of Figure 3A is depicted in the standard molding configuration, the primary vent area 308 is dimensioned for (i) allowing the passage of the evacuated fluid (such as air) from the molding cavity into the pocket groove 312 and (ii) not allowing any substantial amount of the molding material for passing therethrough. In a particular example of an implementation, the width of the primary vent area 308 can be between 0.03 and 0.04 mm, in
20 case of the molding of PET preforms.

At the same time, the dimension of the secondary vent area 310 is such that it prevents the passage of any substantial amount of the molding material for passing therethrough. In the specific examples, the walls of the shut off face 700 defining the secondary vent area 310 can touch each other in order prevent the passage of evacuated fluid (such as air) and prevent the
25 flow of molding material, in this standard molding configuration or, alternatively, they can define a gap therebetween, which gap allows for the flow of evacuated fluid (such as air) but prevents passage of the molding material.

Within the configuration of Figure 3D and is more clearly visible in Figure 3F, there is also provided an apex point 334. The apex point 334 is sized such as to provide the path for
30 evacuated fluid (such as air) towards the secondary vent area 310 while preventing the flow of any substantial amount of molding material therethrough (in other words, the apex point 334 is the beginning portion of the secondary vent area 310, while the remainder of the secondary vent

area 310 starts to act as a reservoir for the escaped air). It is noted that in some embodiments of the present invention, in the vent cleaning configuration, the apex point 334 provides a clearance of approximately 0.03 to 0.04 mm.

To complete the description of Figure 3A and Figure 3B, there are also depicted a molding surface 322 that cooperates with a portion of a core (not depicted), which define therebetween a portion of a molding cavity (not separately numbered) into which molding material flows to define a molded article.

With reference to Figure 3C, after a certain number of molding cycles, there tends to accumulate some residue 330 along at least a portion of the primary venting groove 308 (such as material dust, contaminants or other undesirable particles or the like).

With reference to Figure 3D, there is depicted a schematic representation of the top view of the neck ring 300 in a “vent cleaning configuration”, the neck ring 300 being implemented in accordance with embodiments of the present invention. In embodiments of the present invention, this configuration can be thought of as “breathing mode” or “controlled flash molding” configuration. Accordingly and as means of an example, this vent cleaning configuration can be entered into by means of decreasing clamp pressure (by means of software adjustment, for example), compared to the standard molding configuration, depicted in Figure 3A, for example.

In an example embodiment, it is contemplated that the clamp tonnage can be lowered by approximately ten to fifteen percent below the minimum injection pressure for the same mold. As an example, in a typical 72-cavity mold used for a water application with split at support ledge with diameter 34mm, an operational tonnage (i.e. one applied in configuration of Figure 3A) can be around 290 tons, with the minimum process tonnage of 230 tons, while the tonnage used for entering the vent cleaning configuration can be about 200 tons.

Recalling that the neck ring 300 of Figure 3D is depicted in the vent cleaning configuration (or, more specifically in a configuration at the beginning of the vent cleaning process in accordance with embodiments of the present invention), the primary vent area 308 is dimensioned for allowing passage of the molding material therethrough. In a sense, in the vent cleaning configuration, the primary vent area 308 becomes part of the molding surface and allowing the molding material 326 to fill in the primary vent area 308 in the vent cleaning configuration. At the same time, the secondary vent area 310 is dimensioned for (i) allowance of the passage of the evacuated fluid (such as air) from the primary vent area 308 and (ii) not allowing any substantial

amount of the molding material for passing therethrough. In a sense, within the vent cleaning configuration, the secondary vent area 310 “becomes” or executes the function of the primary vent area 308 as depicted in Figure 3A (i.e. in the standard molding configuration).

5 With reference to Figure 3E, the commencement of the vent cleaning phase is depicted, whereby molding material 326 starts to fill in the molding cavity defined between the neck ring 300 and the core 314. Eventually, the molding material 326 starts to fill the primary vent area 308, including or incorporating the residue 330. With reference to Figure 3F, the molding material 326 continues to travel through the primary vent area 308, at this point fully incorporating the residue 330. As such, at the end of the vent cleaning cycle, the molding material 326 has fully
10 filled the primary vent area 308 and has fully incorporated the residue 330. At this point, the molding material 326 allowed to cool down, in a standard manner.

After a sufficient period of time to allow the molding material 326 to cool down sufficiently to enable removal thereof from the neck ring 300 the molded article is ready for removal from the neck ring 300. As can be appreciated, the resultant molded article includes a molded appendix
15 360, which generally corresponds in shape to the shape of the primary vent area 308 incorporating the residue 330. As such, ejection of the molded article, including the molded appendix 360, results in effectively removing it from the neck ring 300.

In some embodiments of the present invention, the inner walls of either or both of the primary vent area 308 and the secondary vent area 310 can be coated with a coating to reduce sticking of
20 the molding material 326 thereto.

Given the architecture described above with reference to Figures 3A – 3F, it is possible to execute a method of molding and vent cleaning in accordance with embodiments of the present invention. Generally speaking, embodiments of the present invention allow to actuate the neck ring 300 between the standard molding configuration (in which a molded article, such as
25 preform suitable for subsequent blow molding can be molded) and the vent cleaning configuration (in which residue 330 can be removed from the primary vent area 308). Furthermore, according to embodiments of the present invention, the controlled flash condition is used to clean the vent areas and to remove the undesired particles therefrom. More specifically, in the vent cleaning configuration, the melt is used to fill in the primary vent area 308 for
30 incorporation and removal of the residue 330.

More specifically, a method 400 can be executed by a controller (not depicted) of a molding machine (not depicted), both can be executed in accordance with known prior art techniques.

The molding machine including the neck ring(s) 300 in accordance with the number of molding cavities desirable.

Step 402

At step 402, the neck ring 300 is maintained in the standard molding configuration, as that of
5 Figure 3A. The neck ring 300 is maintained in the standard molding configuration by means, for example, of application of standard clamp force (such as a force that is sufficient to withstand molding pressure of the molding material and to maintain the mold in a closed configuration).

A molded article is molded. The molding cycle can be repeated until the method progresses to step 404, as will be described momentarily.

10 Step 404

At step 404, the configuration of the neck ring 300 is controlled into the vent cleaning configuration. Step 404 can be executed when it is determined that vent cleaning is required. This can be executed at a pre-determined interval, for example, every month or every n-number of molding cycles (such as fifty thousand, eighty thousand or hundred thousand molding cycles).
15 Alternatively, this can be executed when the quality of the molded article falls under a pre-determined threshold. Alternatively, this can be executed in accordance with preventative maintenance schedule for a given operator of the molding machine (not depicted).

Step 404, as has been previously described, can be executed by means of decreasing clamp pressure, compared to the standard molding configuration and executing an injection cycle. In
20 some embodiments of the present invention, step 404 can be repeated several times. It is noted that the molded articles molded during the vent cleaning operation are scrapped, as they include particles of the residue 330.

Once the vent cleaning operation is executed, the method 400 can return to execution of step 402, i.e. to the standard molding configuration.

25 Accordingly, it can be said that the method of vent cleaning in accordance with embodiments of the present invention includes, at a certain number of molding cycles where residue 330 has accumulates onto walls of the primary vent area 308, executing a vent cleaning operation by means of:

- entering the neck ring into the vent cleaning configuration (whereby the primary vent area 308 becomes part of the molding surface for allowing melt therein and the secondary vent area 310 becomes the primary venting structure);
- executing a molding cycle to fill in the primary vent area 308 with molding material for incorporation and removal of the residue 330 therefrom.

Generally speaking and considering the neck ring 300 as an example of implementation of a method for vent cleaning in a molding structure having a venting structure 306, one can say that the method of vent cleaning comprises:

- entering the mold structure housing the venting structure (306) into a vent cleaning configuration;
- performing a molding cycle to fill in at least a portion of the venting structure (306) with molding material for incorporation and removal of a residue (330) therefrom;
- while executing said performing, allowing for the fluid (such as air) to be evacuated from the at least a portion of the venting structure (306) through a secondary vent area (310).

It should be expressly understood that embodiments of the present invention described above with reference to the controllable primary and secondary vent areas are used just as examples of cleaning split line surfaces (such as the shut off face 700). It should be further understood that embodiments of the present invention can be used to clean other types of the split lines present in the mold.

As such, embodiments described above are implemented in a “neck-to-neck” vent configuration. It is also possible to execute the embodiments of the present invention in a “neck-to-lock” configuration. Example of such non-limiting embodiments is depicted with Reference to Figure 5.

Figure 5 depicts a front view of (i) a portion of a molding stack 502 that includes a neck ring 504 and a lock ring 506, the neck ring 504 being implemented in accordance with non-limiting embodiments of the present invention and being shown in the standard molding configuration; and (ii) a portion of a molding stack 508 that includes the neck ring 504 and the lock ring 506, the neck ring 504 being implemented in accordance with non-limiting embodiments of the present invention and being shown in the vent cleaning configuration.

According to embodiments of the present invention, there is provided a primary vent area 512, a secondary vent area 516 and a pocket groove 514. Within the standard molding configuration of the molding stack 502, the primary venting groove can be implemented as having the width of 0.03 mm and the secondary vent area 516 can be implemented the pocket groove 514 can be implemented with the width of 0.05 mm. .

Generally speaking, in the standard molding configuration, the primary vent area 512 is dimensioned for (i) allowance of the passage of the evacuated fluid (such as air) from the molding cavity into pocket groove 514 and (ii) not allowing any substantial amount of the molding material for passing therethrough. At the same time, the dimension of the secondary vent area 516 is such that it also prevents the passage of any substantial amount of the molding material for passing therethrough.

In the vent cleaning configuration of the molding stack 508, the primary vent area 512 can be implemented as having the width of 0.28 mm, and the secondary vent area 516 remains at 0.05 mm. More generally, the primary vent area 512 is dimensioned for allowing passage of the molding material therethrough. In a sense, in the vent cleaning configuration, the primary vent area 512 becomes part of the molding surface. At the same time, the secondary vent area 516 is dimensioned for (i) allowance of the passage of the evacuated fluid (such as air) from the primary vent area 308. In a sense, within the vent cleaning configuration, the secondary vent area 516 “becomes” or implements the function of the primary vent area 512 in the standard molding configuration, while the pocket groove 514 is configured for the rapid evacuation of fluid (such as air) from the molding cavity through the primary vent area 512.

This vent cleaning configuration can be entered into by means of decreasing clamp pressure (by means of software adjustment, for example), compared to the standard molding configuration. In an example embodiment, it is contemplated that the clamp tonnage can be lowered by approximately ten to fifteen percent below than the minimum injection pressure for the same mold. As an example, in a typical 72-cavity mold used for a water application, an operational tonnage can be around 290 tons, with the minimum process tonnage of 230 tons, while the tonnage used for entering the vent cleaning configuration can be about 200 tons.

A technical effect of embodiments of the present invention includes ability to execute vent cleaning operation without substantial interruption to the operation of the injection molding machine. Another technical effect of embodiments of the present invention includes ability to execute the injection molding machine without the need to stop the injection molding machine

and without the need for the purging operation of the injection screw. Another technical effect of embodiments of the present invention includes ability to execute a vent cleaning operation that does take a comparatively less time vis-à-vis existing solutions for vent cleaning. Another technical effect of embodiments of the present invention includes the ability to execute the vent
5 cleaning operation without the uncontrolled dust transfer associated with the prior art solutions (such as blowing air, for example). It should be expressly understood that not each every technical effect needs to be present in each and every embodiment of the present invention.

It should be noted that the above described embodiment of the vent cleaning is just one example of a method of cleaning of a passage that is configured, in use, to allow for the passage of fluid
10 (such as air and the like) and to prevent passage of the melt. Embodiments of the present invention allow for entering such passage into a cleaning configuration and to allow the passage to become part of the molding surface. Effectively, embodiments of the present invention contemplate flooding at least a portion of the passage with melt to remove residue 330
15 therefrom. It is noted that at least a portion of such passage that is wetted in use by the fluid (and therefore tends to accumulate residue 330) can be cleaned by using embodiments of the present invention. Other examples of such the passage can include TSS vent grooves, core / lock ring vent grooves, inner and outer core vent grooves in closure molds and the like.

Accordingly, it can be said that the method of cleaning of a passage that during a molding configuration (i.e. in use) allows the passage of fluid and prevents passage of melt, the passage
20 associated with a mold component (an example of which is being the above-described neck ring 300, but not so limited) in accordance with embodiments of the present invention includes, at a certain number of molding cycles where residue 330 has accumulates onto at least a portion of the passage (such as a portion of the primary vent area 308 and the like, but not so limited), executing a cleaning operation by means of:

- 25
- entering the mold component into a cleaning configuration, whereby a portion of the passage associated with the mold component that accumulates residue becomes part of the molding surface;
 - executing a molding cycle to fill in the portion of the passage with molding material for incorporation and removal of the residue 330 therefrom.

30 The method further includes, in some embodiments thereof, controlling a melt front of the melt entering the passage in the cleaning configuration. In some embodiments, as is the case in the above neck ring 300 embodiment, the control of a predefined point for the melt front stop in the

vent cleaning configuration is executed by means of a physical stop, such as the above-described apex point 334. In other embodiments of the present invention, the predefined point for the melt front can be executed as a thermal implementation (i.e. by controlling the temperature or rate of a cooling fluid around the predefined point for the melt front stop to effectively freeze off the melt). Other embodiments and executions for the predefined point for the melt front stop are possible. Therefore, it can be said that in the cleaning configuration the melt flooding of the passage is executed in a “controlled manner” or, in other words, by controlling the predefined point for the melt front stop.

In some embodiments of the present invention, it may be beneficial while executing the molding cycle during the cleaning operation, to increase pressure between molding material and the residue 330. In the above example of the neck ring 300, the increased pressure between the molding material and the residue 330 is created by: (i) means of increasing the primary vent area 308 (to transform it into the molding surface) and (ii) creating the secondary vent area 310 with the apex point 334, which create a stop point for the material, thus increasing the pressure between the molding material and the residue 330.

Another alternative to increase the pressure between the molding material and the residue 330 would be to create a smaller gap, or in other words, when entering the vent cleaning state, increasing the width of the primary vent area 308 by a smaller distance, thus increasing the pressure between the molding material and the residue 330. Yet in other embodiments, it is conceivable to increase the pressure between the molding material and the residue 330 by introducing a counter-flow of a medium.

It should be noted that even though description above has used an example of decreased clamp tonnage to enter into the vent cleaning configuration, other implementations are possible. An example of such an alternative configuration is depicted with reference to Figures 8A – 8C. Figures 8A – 8C depict a top view of a portion of an injection molding machine 800, implemented in accordance with embodiments of the present invention. The injection molding machine 800 incorporates certain structures known to those of skill in the art, which structures will not be described here at any length. Description will focus on specific modifications implemented in accordance with embodiments of the present invention

The injection molding machine 800 comprises *inter alia* a first mold half 802, a second mold half 804, a stripper plate assembly 806, all of which can be implemented in accordance with known techniques. According to embodiments of the present invention, there is provided a first

distance augmenting structure 810 and a second distance augmenting structure 812, which can be implemented substantially similar and, as such, just one will be described in greater details.

It is noted that the first distance augmenting structure 810 and the second distance augmenting structure 812 are operatively positioned between respective machine components. The first
5 distance augmenting structure 810 is operatively positioned between the first mold half 802 and the stripper plate assembly 806, while the second distance augmenting structure 812 is operatively positioned between the stripper plate assembly 806 and the second mold half 804.

The first distance augmenting structure 810 comprises a base 814 operatively attachable to a side of the injection molding machine 800 and, more specifically, to the side of the first mold half
10 802. The first distance augmenting structure 810 further comprises an actuator 816, which in this example is implemented as a hydraulic actuator. However, other implementations for the actuator are possible, such as a servo motor or the like. There is also provided a distance adjustment insert 818. The distance adjustment insert 818 can be implemented as a piece of sheet metal or the like. The actuator 816 is operable to actuate the distance adjustment insert 818
15 between an outbound position (Figure 8A) and an in-bound position (Figure 8B and 8C). In the outbound position, the first mold half 802, the second mold half 804 and the stripper plate assembly 806 will close into the standard molding configuration. In the in-bound position, as is depicted in Figure 8C, the first mold half 802, the second mold half 804 and the stripper plate assembly 806 will close into a cleaning configuration with a pre-defined gap therebetween. The
20 pre-defined gap being controlled by the width of the distance adjustment insert 818. In other words, in-bound position the distance adjustment insert 818 is positioned between the first machine component and the second machine component, in which inbound position the distance adjustment insert 818 is configured to increase distance between the first machine component and the second machine component.

25 It should be expressly understood that the neck ring 300 described above is just but one example of embodiments of the present invention for executing a method of cleaning of a mold component from the residue 330. With reference to Figure 9, there is depicted another embodiment of a mold component that can be used for implementing embodiments of the present invention. Figure 9 depicts a section view of a mold 900. The mold 900 includes a mold
30 component 902, which in this case is implemented as a first mold half 904 and a second mold half 906. The first mold half 904 and the second mold half 906 define therebetween a molding cavity 908 (defined by respective female and male members of the first mold half 904 and the

second mold half 906). The mold 900 further includes a passage that, in use (i.e. during standard molding operation) allows for the passage of fluid out of the molding cavity 908 and prevents passage of melt, the passage being depicted in Figure 9 at 910. The passage 910 is implemented as a vent area or a “primary vent area”. There is also provided a first passage control member 912, which first passage control member 912 is actuatable between a first configuration (where the passage 910 allows for the passage of fluid and prevents passage of the melt, as depicted in Figure 9 in which the mold 900 is shown in a standard molding operation) and a second configuration, in which the passage 910 becomes part of the molding surface (depicted in Figure 10, which depicts the mold 900 in a cleaning configuration). There is also provided a venting passage 911 in fluid communication with the passage 910 for venting the fluid therefrom.

With continued reference to Figure 9 and Figure 10, the mold 900 also includes a second passage control member 914, which is shown in a retracted configuration in Figure 9 and in an extended configuration in Figure 10. In the retracted configuration, the second passage control member 914 un-obstructs the venting passage 911. In the extended configuration, the second passage control member 914 turns a portion of the venting passage 911 into the passage that allows passage of the fluid but not passage of the melt. Effectively, turning a portion of the venting passage 911 into a secondary vent area (as shown in Figure 10). Optionally or additionally, there is provided a third passage control member 916, which can also be controlled similarly to the second passage control member 914 to either provide a venting passage or completely shut off the passage. In a sense, the second passage control member 914 and/or the third passage control member 916 can act to provide the pre-defined point for the melt front stop, as has been previously described.

The first passage control member 912 and/or second passage control member 914 and/or the third passage control member 916 can be actuated by any suitable means, such as hydraulic actuator, electric actuator and the like. In a specific embodiment, the actuator can be implemented as a piezzo-electric actuator, similar to the one disclosed in the co-owned US patent 7,481,642 issued to Niewels on January 27, 2009.

In additional non-limiting embodiments of the present invention, the first passage control member 912 and/or second passage control member 914 and/or the third passage control member 916 can be defined as part of the molding stack and as such can be “actuated” by the motion of the mold halves, without the need for separate actuator per se.

With reference to Figures 11 and 12, there is depicted another non-limiting embodiments of the present invention. Figure 11 depicts a section view of a mold 1000. The mold 1000 includes a mold component 1002, which in this case is implemented as a first mold half 1004 and a second mold half 1006. The first mold half 1004 and the second mold half 1006 define therebetween a molding cavity 1008 (defined by respective female and male members of the first mold half 1004 and the second mold half 1006). The mold 1000 further includes a passage 1010 that, in use (i.e. during standard molding operation) allows for the evacuation of fluid out of the molding cavity 1008 and prevents passage of melt. The passage 1010 can be implemented as a vent area.

In the standard molding configuration depicted in Figure 11, the mold 1000 is operated in a standard manner, with the molding cavity 1008 being filled with the molding material and the passage 1010 being used for allowing fluid (such as air) to be evacuated from the molding cavity 1008 as it is being filled with the molding material.

With reference Figure 12, a passage cleaning configuration is shown. In this configuration the passage 1010, effectively, becomes the extension of the molding cavity 1008, which can assist in removing residue (not shown) potentially accumulated therein. There are also provided a first melt stop 1014 and a second melt stop 1016. The first melt stop 1014 and the second melt stop 1016 are points for stopping the melt front, in the passage cleaning configuration. As is best seen when comparing Figure 11 and Figure 12 illustrations, the first melt stop 1014 and the second melt stop 1016 are in a “closed configuration” in both the standard molding configuration and the passage cleaning configuration. While they are not used in the standard molding configuration per se, they are used as melt front stops in the passage cleaning configuration.

Needless to say and as is depicted with reference to Figure 13, the mold 1000 can be optionally provided with a passage control member 1200, which can be used to control a secondary vent area, much akin to the description of Figure 9 and Figure 10 above. The main difference being, however, that the passage control member 1200 is defined as part of the mold stack and not as a separate member, as is depicted with reference to Figure 9 and Figure 10.

Accordingly, it can be said that within the architecture of Figure 11 and 12, there is provided a method of operating a mold, the mold comprising a first mold half and a second mold half, the first mold half and the second mold half defining a passage configured, in use, to allow passage of fluid and to prevent passage of melt, the method comprising: maintaining the mold in a standard molding configuration and executing at least one molding cycle; actuating the first mold half and the second mold half into a cleaning configuration and executing at least one

molding cycle in the cleaning configuration to remove residue from at least a portion of the passage.

Accordingly, it can be said that embodiments of the present invention provide for a mold component configured to be actuated between: (i) a first configuration in which the mold
5 component comprises a passage that allows passage of fluid and prevents passage of the melt; and (ii) a second configuration in which the passage is actuated such as to become part of a molding surface.

It should be understood that for the purposes of the description provided above and claims presented below, the term “fluid”, “gas” or “air” are meant to denote fluid present in the molding
10 cavity and being vented from the molding cavity and the molding material fills in the molding cavity. The terms “fluid”, “gas” or “air” can denote ambient air around the molding system, as well as the ambient air mixed in with other substances potentially present within the molding system.

The description of the embodiments of the present inventions provides examples of the present
15 invention, and these examples do not limit the scope of the present invention. It is to be expressly understood that the scope of the present invention is limited by the claims only. The concepts described above may be adapted for specific conditions and/or functions, and may be further extended to a variety of other applications that are within the scope of the present invention. Having thus described the embodiments of the present invention, it will be apparent
20 that modifications and enhancements are possible without departing from the concepts as described. Therefore, what is to be protected by way of letters patent are limited only by the scope of the following claims:

CLAIMS

1. A method of cleaning of a portion of a mold component, the portion of the mold component including a passage configured, in use, to allow passage of fluid and to prevent passage of melt, the method comprising:

5 entering the mold component into a cleaning configuration, whereby a portion of the passage becomes part of a molding surface;

performing a molding cycle to fill in at least the portion of the passage with molding material for incorporation and removal of a residue (330) therefrom.

10 2. The method of claim 1, further comprising ejecting the molded article from the molding structure, the molded article comprising a molded appendix (360) corresponding to the shape of the at least a portion of the venting structure (306).

3. The method of claim 1, further comprising controlling a predefined point for the melt front stop.

15 4. The method of claim 1, wherein said at least the portion of the passage comprises the portion that is, in use during standard molding, is wetted by the gas.

5. The method of claim 1, further comprising during said performing, increasing pressure between the melt and the residue (330).

6. A mold component configured to be actuated between:

20 a first configuration in which the mold component comprises a passage that allows passage of fluid and prevents passage of the melt; and

a second configuration in which the passage is actuated such as to become part of a molding surface.

7. The mold component of claim 6, wherein said passage comprises a portion that is susceptible to build-up of residue (330).

8. The mold component of claim 6, wherein in said second configuration, at least a portion of the passage can be flooded with the melt so that to incorporate and remove a residue (330) therefrom.
9. A neck ring (300, 504) for defining at least a portion of a neck portion of a preform, the neck ring (300, 504) comprising:
- a molding surface (322) defining a portion of a molding cavity for defining the at least a portion of the neck portion of the preform;
 - a venting structure (306) for evacuating the air, in use, from the molding cavity, the venting structure (306) including:
 - a primary vent area (308, 512);
 - a secondary vent area (310, 516);
 - a pocket groove (312, 514) in fluid communication with both the primary vent area (208, 512) and the secondary vent area (310, 516).
10. The neck ring of claim 9, wherein the venting structure is actuatable between a standard molding configuration and a vent cleaning configuration.
11. The neck ring of claim 10, wherein in said standard molding configuration, the primary vent area (308) is dimensioned for (i) allowing the passage of the evacuated fluid from the molding cavity into the pocket groove (312) and (ii) not allowing any substantial amount of the molding material for passing therethrough.
12. The neck ring of claim 10, wherein in said molding configuration, the secondary vent area (310) is dimensioned such that it prevents both the passage of any substantial amount of the molding material for passing therethrough.
13. The neck ring of claim 12, wherein the walls of the secondary vent area (310) are flush with each other.

14. The neck ring of claim 10, wherein in said vent cleaning configuration, the primary vent area (308) is dimensioned for allowing the molding material for passing into it.
15. The neck ring of claim 10, wherein in said vent cleaning configuration, the primary vent area (308) becomes part of the molding surface.
- 5 16. The neck ring of claim 10, wherein in said vent cleaning configuration, the secondary vent area (310) is dimensioned for (i) allowance of the passage of the evacuated fluid from the primary vent area (308) and (ii) not allowing any substantial amount of the molding material for passing therethrough.
- 10 17. The neck ring of claim 9, wherein the primary vent area (308), the secondary vent area (310) and the pocket groove (312) are defined between a first half of the neck ring (302) and a second half (304) of the neck ring.
18. The neck ring of claim 9, wherein the primary vent area (512), the secondary vent area (516) and the pocket groove (514) are defined between the neck ring and a lock ring (506).
19. A method (400) of operating a mold comprising:
- 15 maintaining (402) a neck ring (300) in a standard molding configuration and executing at least one molding cycle;
- actuating (404) the neck ring (300) into a vent cleaning configuration and executing at least one molding cycle in the vent cleaning configuration to remove residue (330) from at least a primary vent area (308) of the neck ring (300).
- 20 20. The method (400) of claim 19, wherein said actuating (400) comprises reducing tonnage.
21. The method (400) of claim 20, wherein said reducing tonnage comprises reducing tonnage by between 10 and 15 percent below the injection pressure for the mold.
22. The method (400) of claim 19, wherein said actuating (400) comprises controlling the width of the primary vent area (308).

23. The method (400) of claim 19, wherein the neck ring (300) comprising a venting structure (306) that includes the primary vent area (308), wherein said actuating (400) comprises controlling the width of the primary vent area (308).

5 24. The method (400) of claim 19, wherein said actuating comprises (400) mechanically controlling the separation between machine components.

25. The method (400) of claim 19, wherein the neck ring (300) comprising a venting structure (306) that includes the primary vent area (308), a secondary vent area (310) and a pocket groove (312) in fluid communication with both the primary vent area (208) and the secondary vent area (310); and wherein said maintaining (402) comprises:

10 maintaining the primary vent area (308) in a dimension for (i) allowing the passage of the evacuated fluid from the molding cavity into the pocket groove (312) and (ii) not allowing any substantial amount of the molding material for passing therethrough; and

15 maintaining the secondary vent area (310) is dimensioned such that it prevents passage of any substantial amount of the molding material for passing therethrough.

20 26. The method (400) of claim 19, wherein the neck ring (300) comprising a venting structure (306) that includes the primary vent area (308), a secondary vent area (310) and a pocket groove (312) in fluid communication with both the primary vent area (208) and the secondary vent area (310); and wherein said maintaining (402) comprises:

maintaining the primary vent area (308) in a dimension that allows the molding material for passing into it; and

25 maintaining the secondary vent area (310) in a dimension that is configured for (i) allowance of the passage of the evacuated fluid from the primary vent area (308) and (ii) not allowing any substantial amount of the molding material for passing therethrough.

27. The method of claim 19, further comprising ejecting the molded article from the neck ring (300), the molded article comprising a molded appendix (360) corresponding to the shape of the primary vent area (308).

28. A distance augmenting structure (810, 812) for use in an injection molding machine between
5 a first machine component and a second machine component, the distance augmenting structure comprising:

a base (814) operatively attachable, in use, to one of the first machine component and a second machine component;

an actuator (816),

10 a distance adjustment insert (818) operatively coupled to the actuator (816),

the actuator (816) being configured to translate the distance adjustment insert (818) between an outbound position in which position the distance adjustment insert (818) is positioned away from the first machine component and the second machine component; and an in-bound position, in which the distance adjustment insert (818) is positioned between the first machine component and the second machine component, in which inbound position the distance adjustment insert (818) is configured to increase distance between the first machine component and the second machine component.

29. A method of operating a mold, the mold comprising a first mold half and a second mold half,
20 the first mold half and the second mold half defining a passage configured, in use, to allow passage of fluid and to prevent passage of melt, the method comprising:

maintaining the mold in a standard molding configuration and executing at least one molding cycle;

25 actuating the first mold half and the second mold half into a cleaning configuration and executing at least one molding cycle in the cleaning configuration to remove residue from at least a portion of the passage.

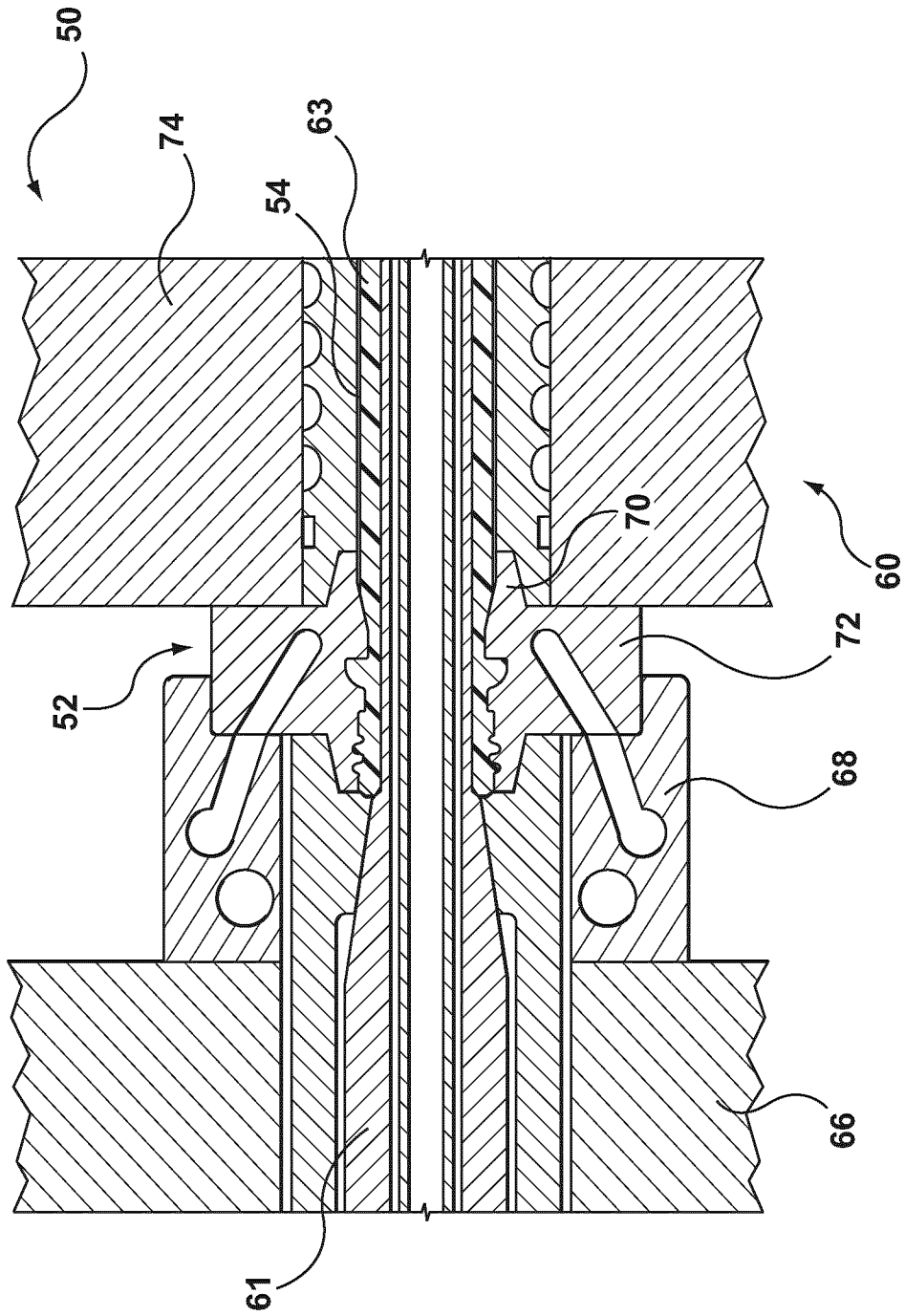


FIG. 1 (PRIOR ART)

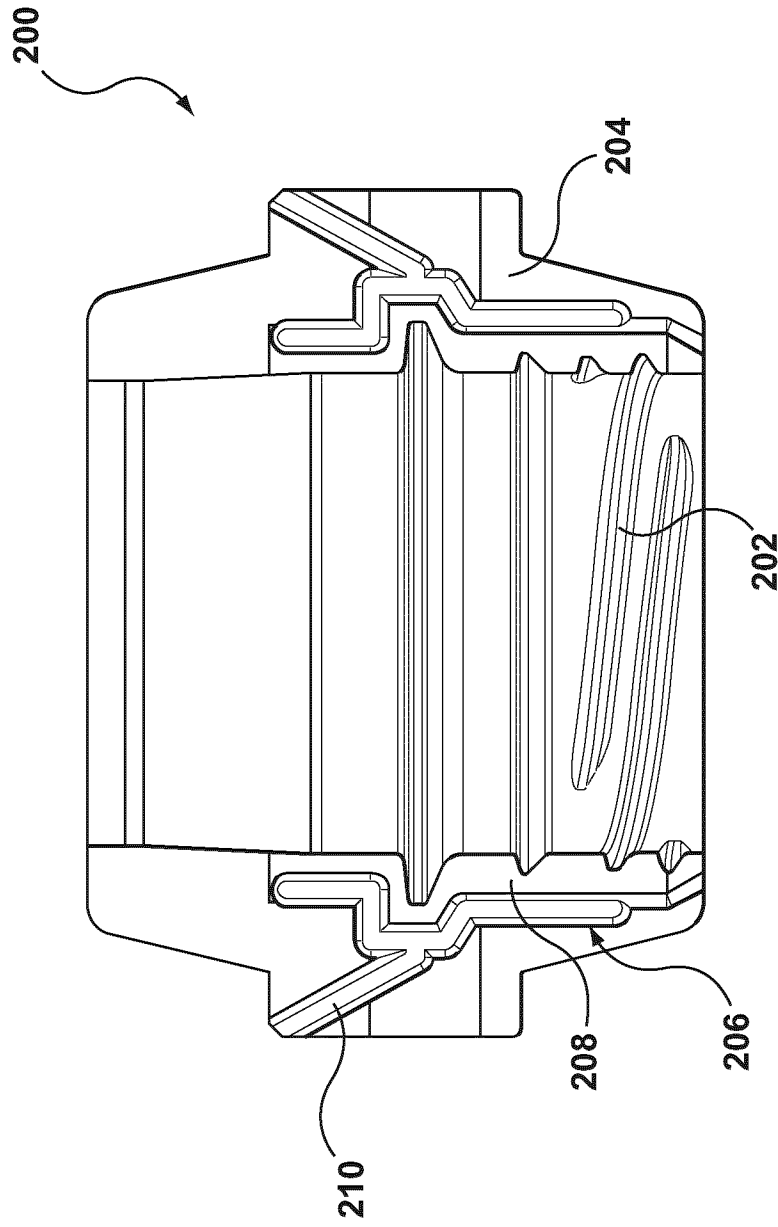


FIG. 2 (PRIOR ART)

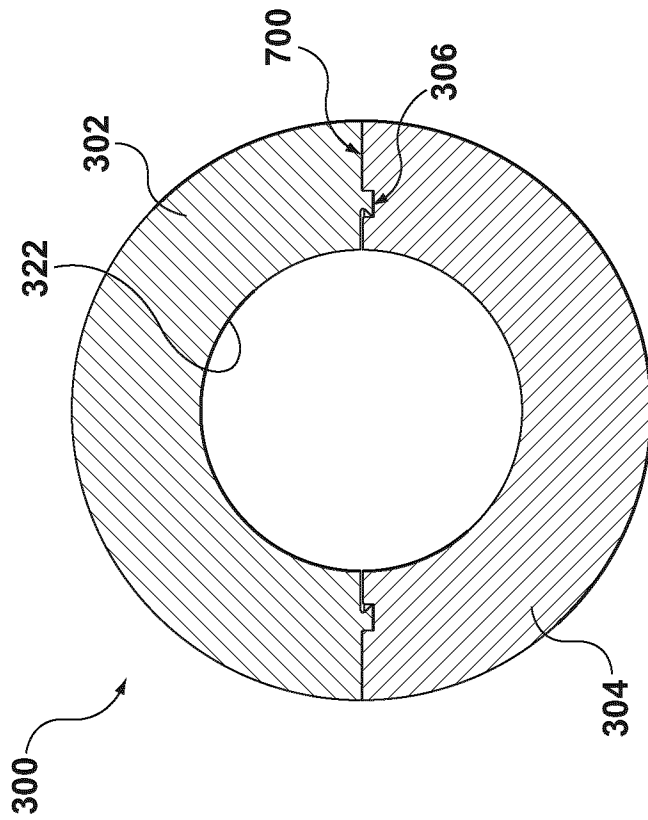


FIG. 3A

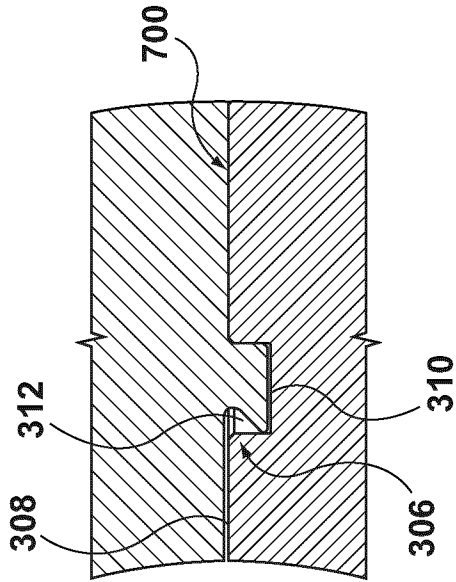


FIG. 3B

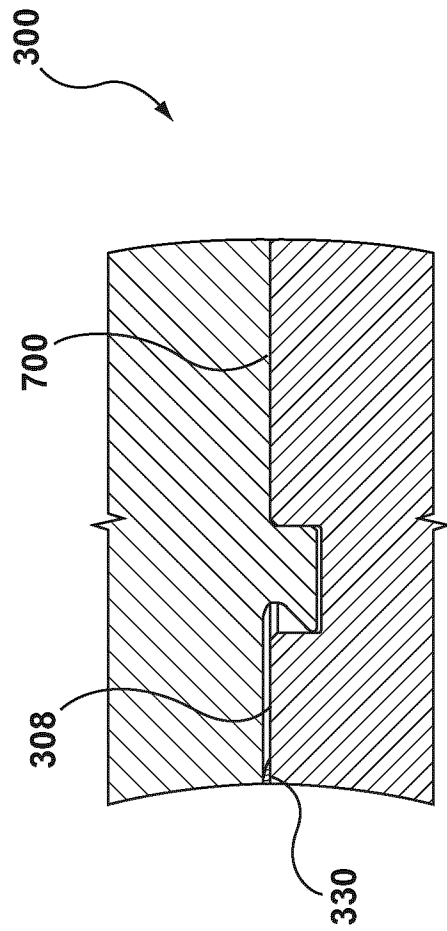


FIG. 3C

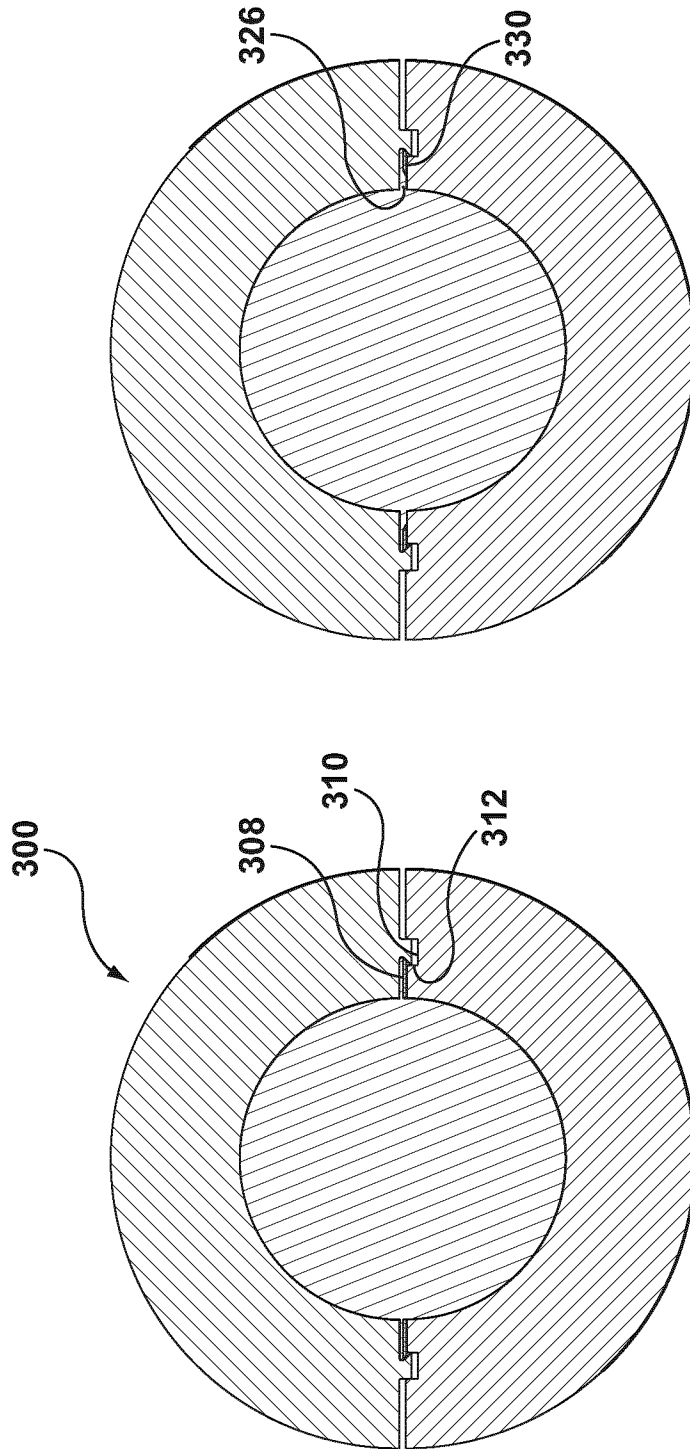


FIG. 3E

FIG. 3D

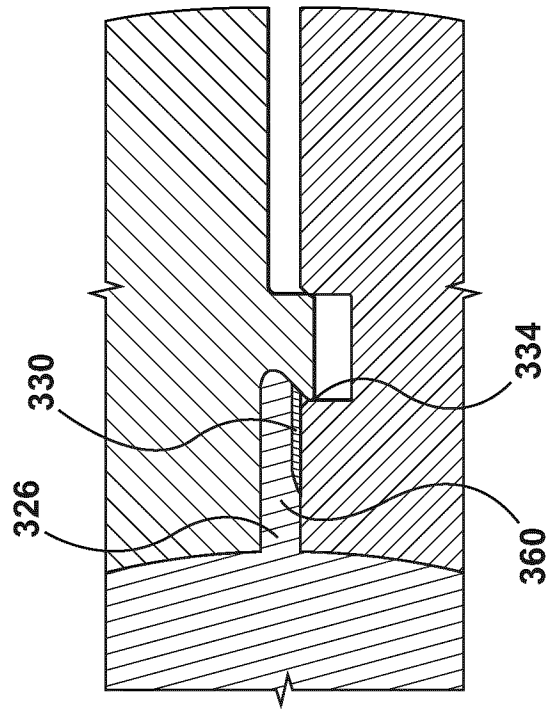
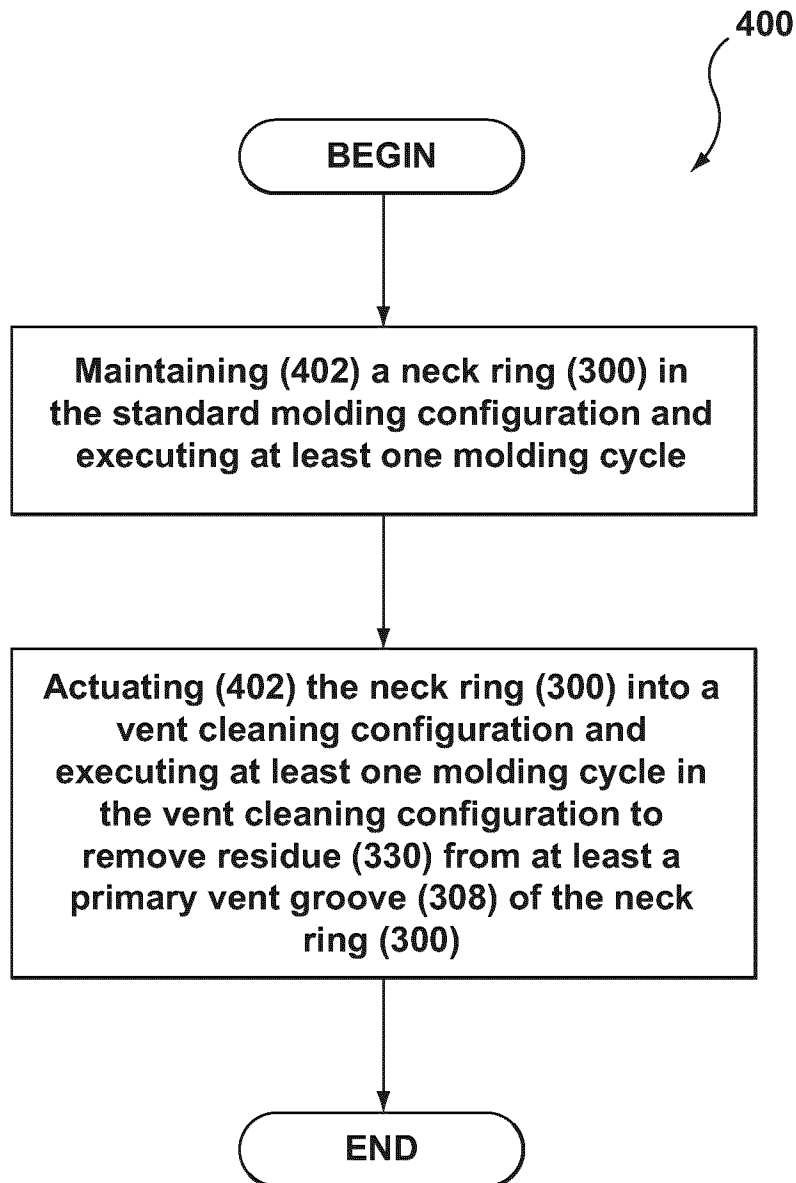


FIG. 3F

7 / 16

**FIG. 4**

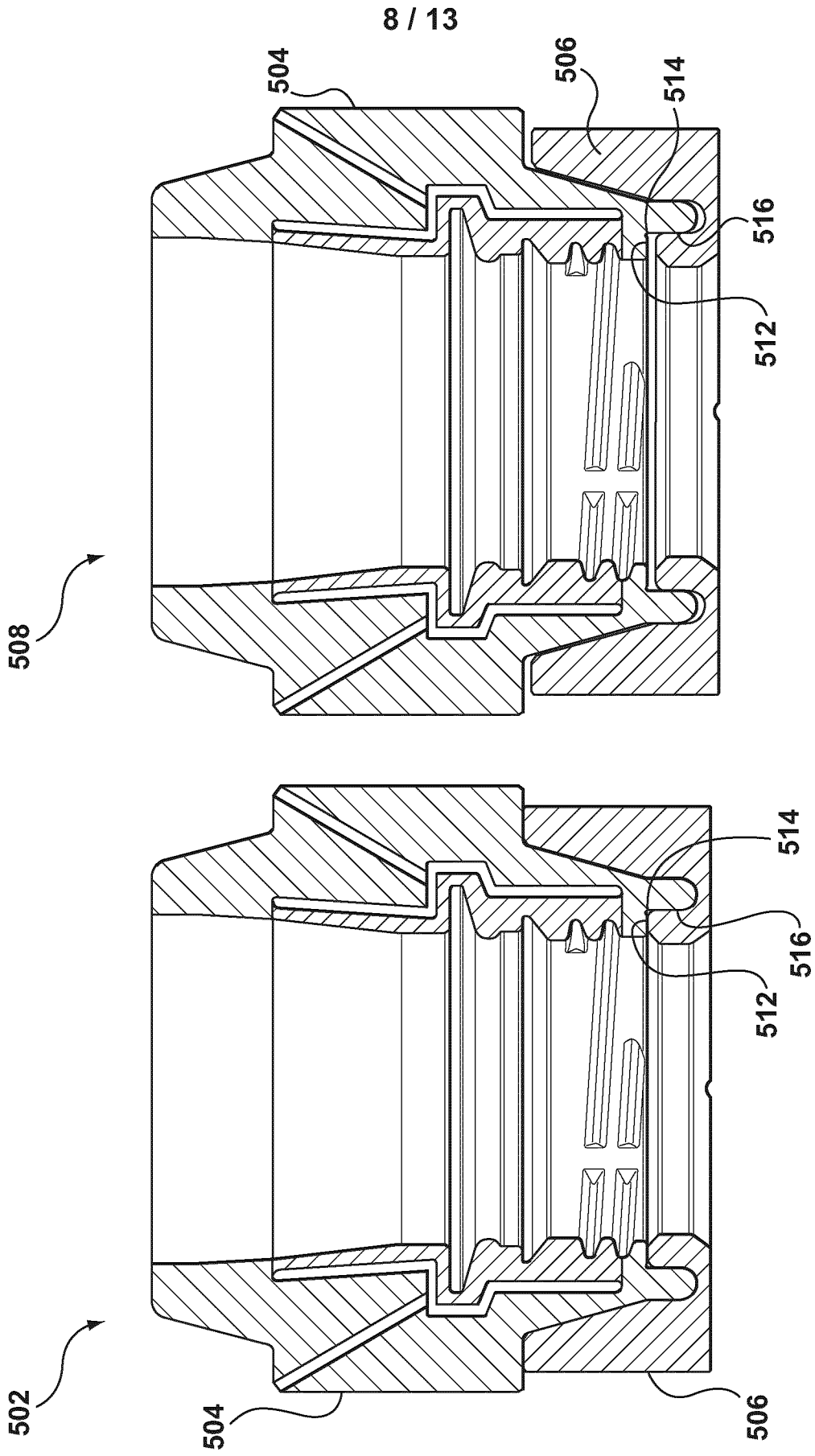


FIG. 5

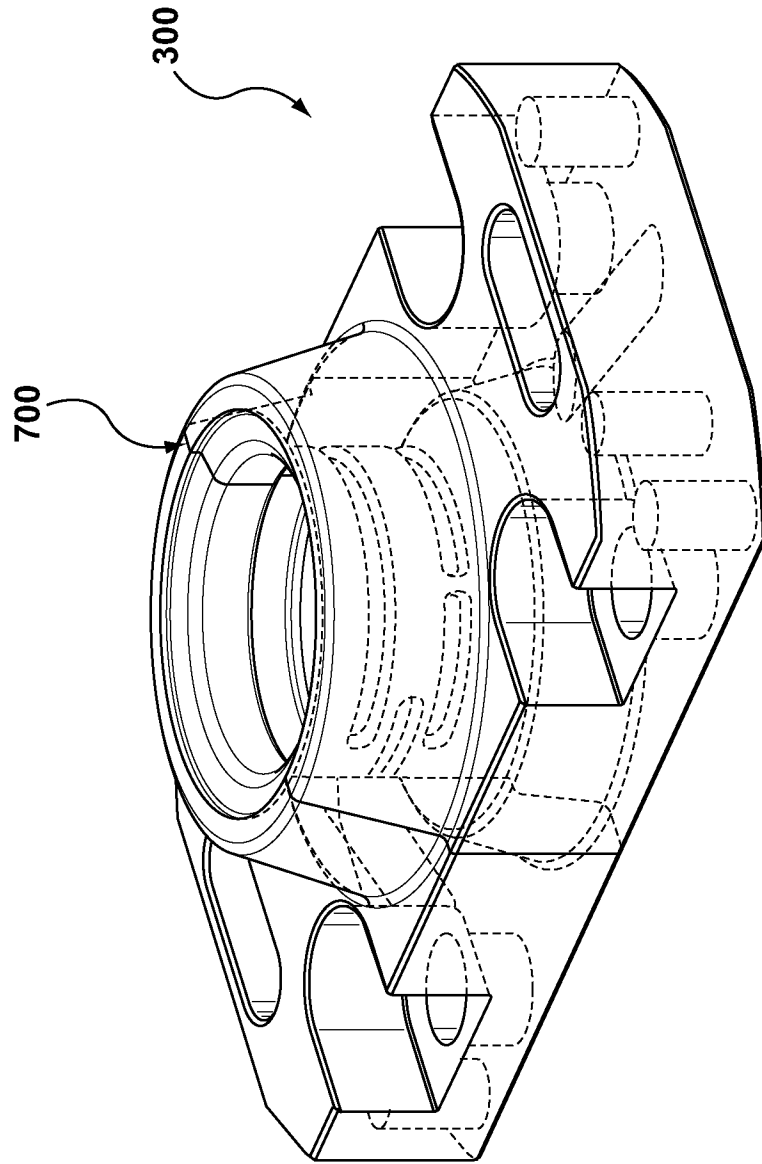


FIG. 6

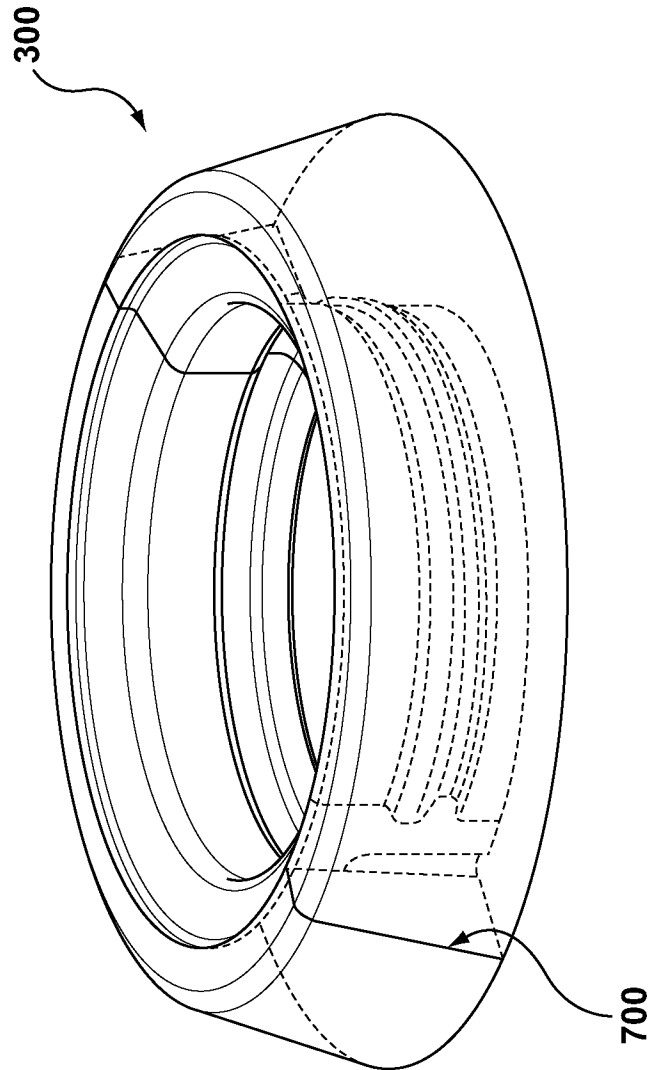


FIG. 7

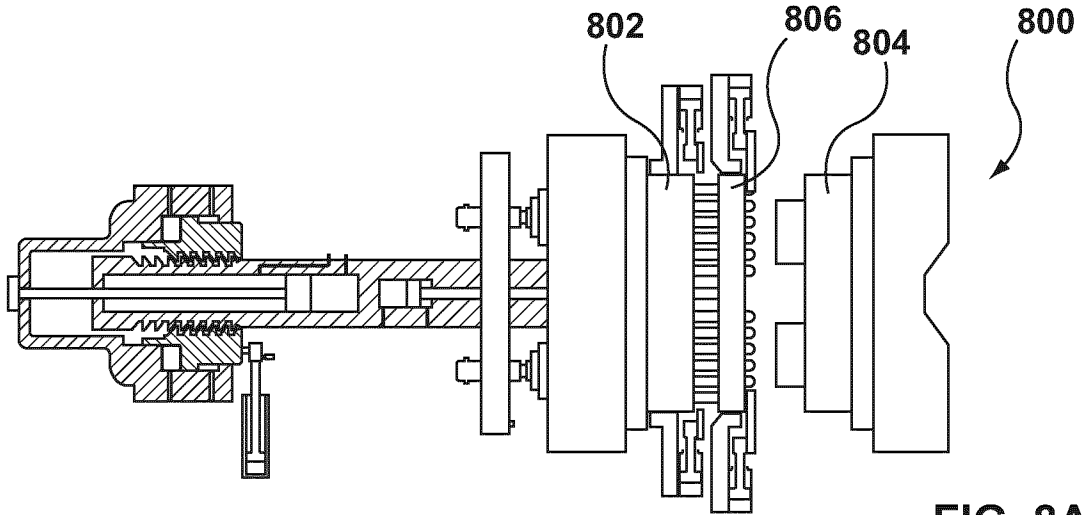


FIG. 8A

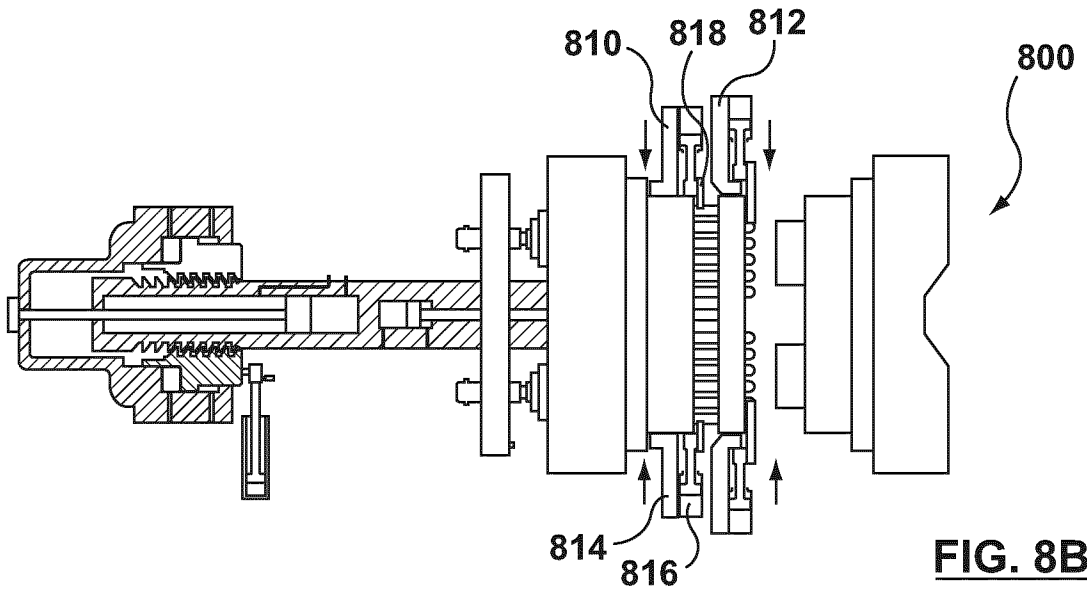


FIG. 8B

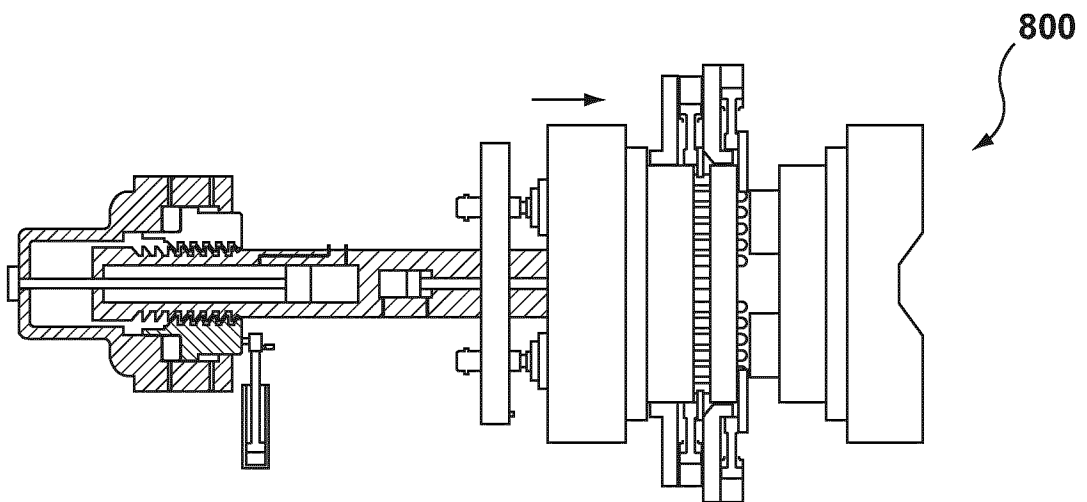


FIG. 8C

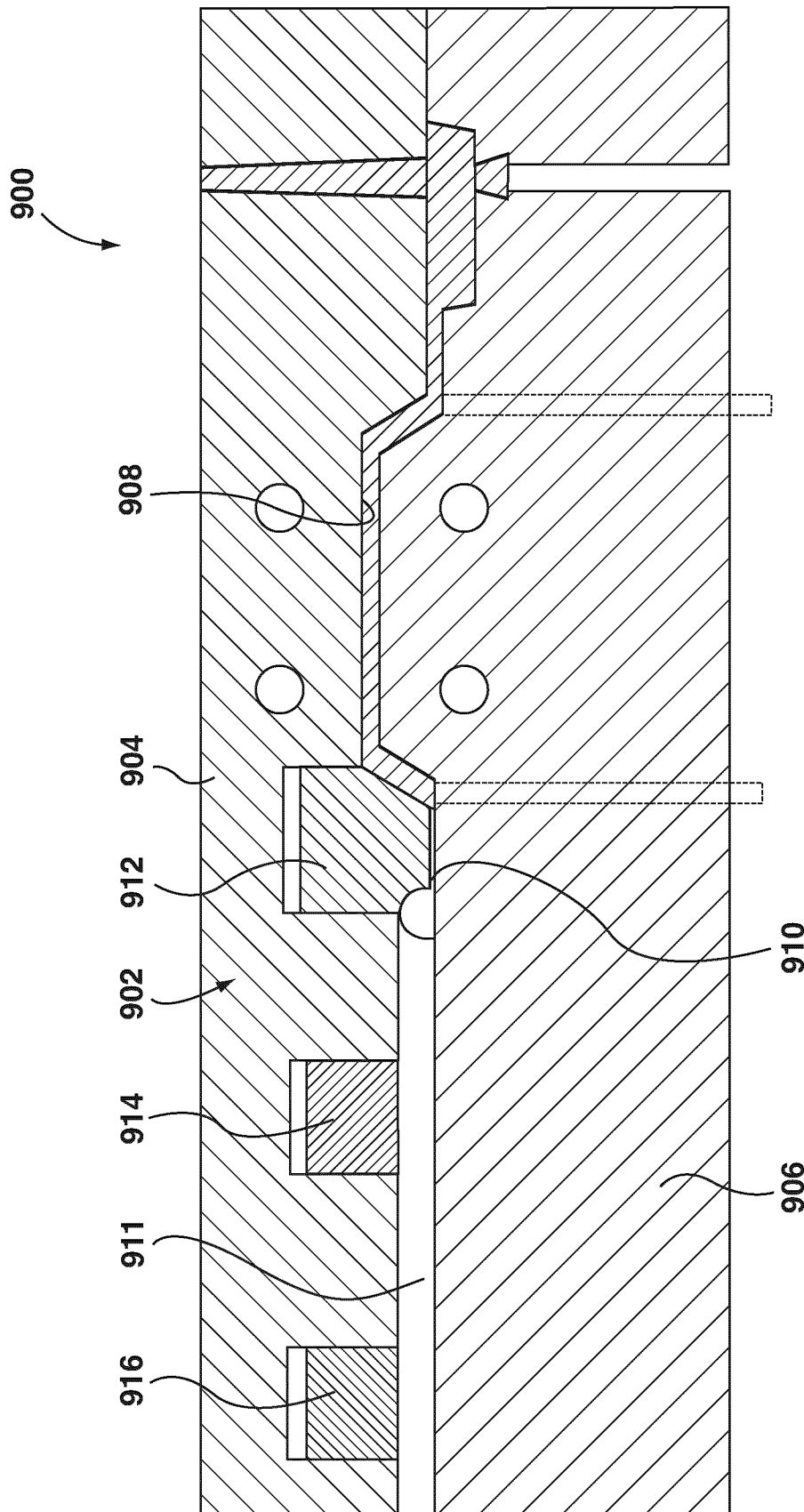


FIG. 9

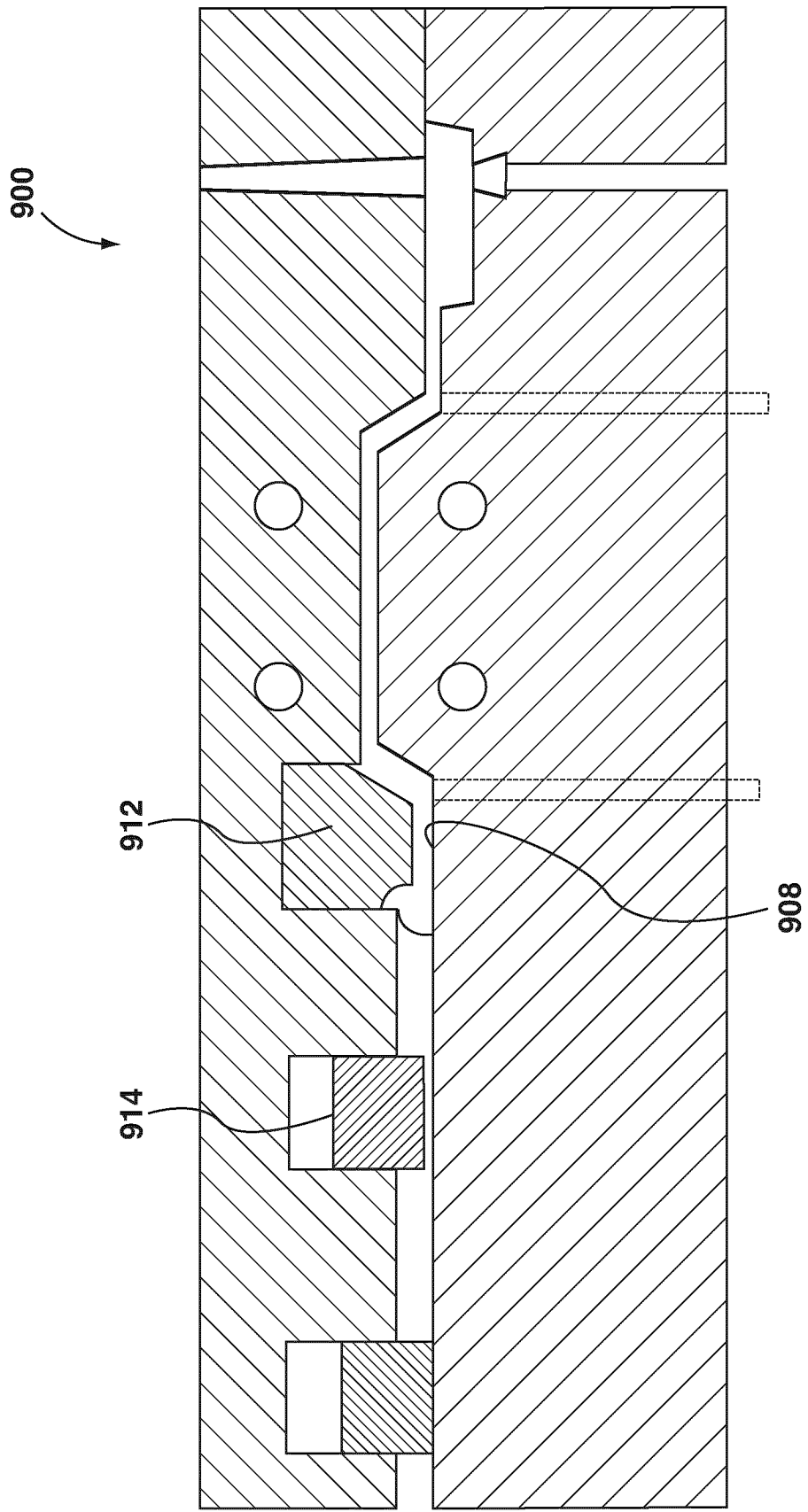


FIG. 10

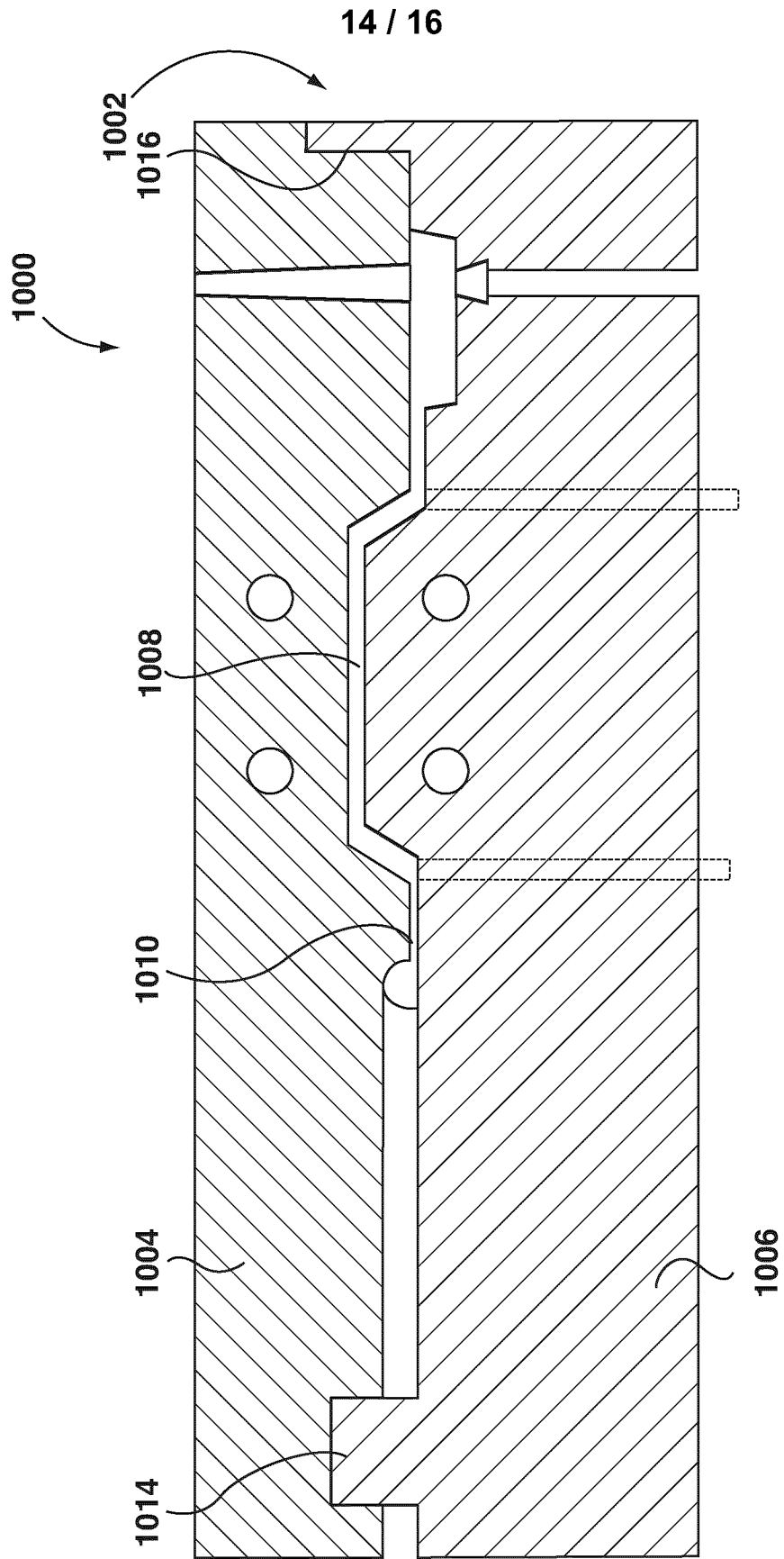


FIG. 11

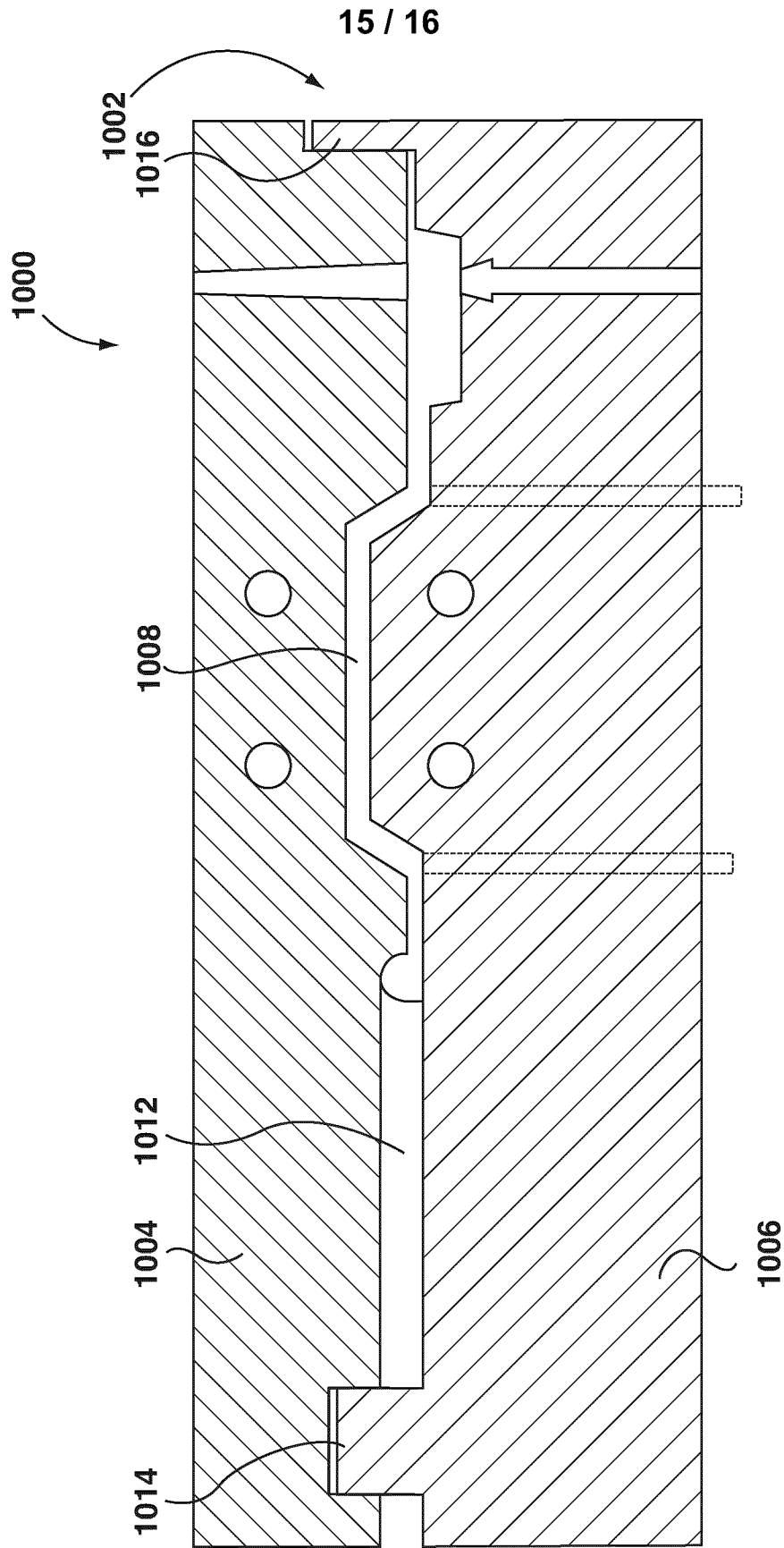


FIG. 12

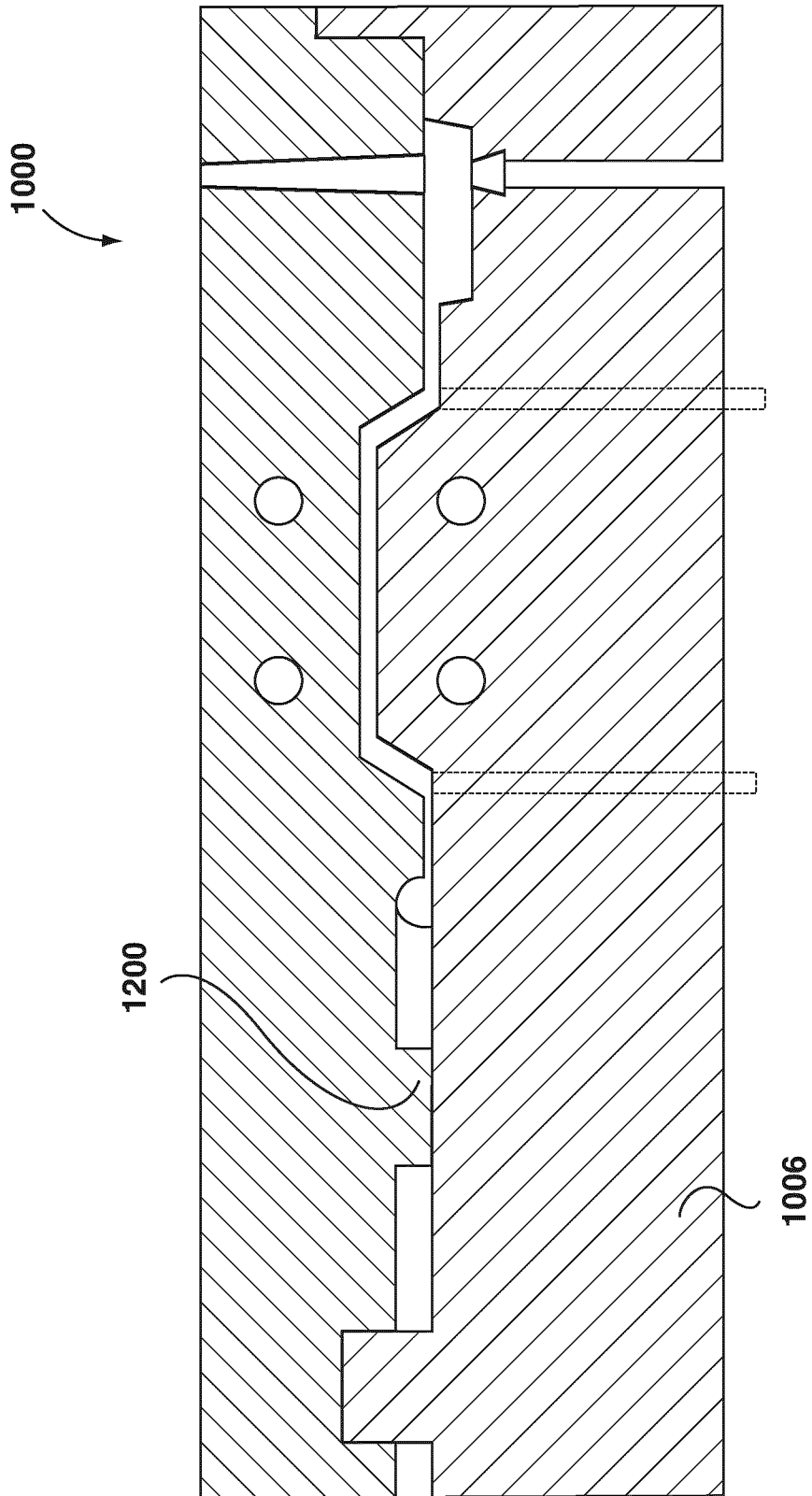


FIG. 13

INTERNATIONAL SEARCH REPORT

International application No.
PCT/CA2012/050408

<p>A. CLASSIFICATION OF SUBJECT MATTER IPC: B29C 45/43 (2006.01) , B29C 45/76 (2006.01) According to International Patent Classification (IPC) or to both national classification and IPC</p>										
<p>B. FIELDS SEARCHED</p> <p>Minimum documentation searched (classification system followed by classification symbols) IPC: B29C 45/43 (2006.01) , B29C 45/76 (2006.01)</p> <p>Documentation searched other than minimum documentation to the extent that such documents are included in the fields searched</p>										
<p>Electronic database(s) consulted during the international search (name of database(s) and, where practicable, search terms used) EPOQUE (EPODOC, X-FULL), TotalPatent, Canadian Patents Database (keywords: injection, mo(u)lding, neck ring, debris, residue, vent, venting, pocket, groove, cleaning, cycle)</p>										
<p>C. DOCUMENTS CONSIDERED TO BE RELEVANT</p> <table border="1" style="width:100%; border-collapse: collapse;"> <thead> <tr> <th style="width:10%;">Category*</th> <th style="width:60%;">Citation of document, with indication, where appropriate, of the relevant passages</th> <th style="width:30%;">Relevant to claim No.</th> </tr> </thead> <tbody> <tr> <td align="center">X</td> <td>EP 2343176 A1 (DUCHATEAU, R.) 13 July 2011 (13-07-2011) * Figure 10; column 12 line 29 - column 13, line 7 *</td> <td align="center">9, 17, 18</td> </tr> <tr> <td align="center">A</td> <td>US 5,397,230 A (BREW, J.K) 14 March 1995 (14-03-1995) * mentioned in application * * the whole document *</td> <td align="center">1-8, 19-27, 29</td> </tr> </tbody> </table>		Category*	Citation of document, with indication, where appropriate, of the relevant passages	Relevant to claim No.	X	EP 2343176 A1 (DUCHATEAU, R.) 13 July 2011 (13-07-2011) * Figure 10; column 12 line 29 - column 13, line 7 *	9, 17, 18	A	US 5,397,230 A (BREW, J.K) 14 March 1995 (14-03-1995) * mentioned in application * * the whole document *	1-8, 19-27, 29
Category*	Citation of document, with indication, where appropriate, of the relevant passages	Relevant to claim No.								
X	EP 2343176 A1 (DUCHATEAU, R.) 13 July 2011 (13-07-2011) * Figure 10; column 12 line 29 - column 13, line 7 *	9, 17, 18								
A	US 5,397,230 A (BREW, J.K) 14 March 1995 (14-03-1995) * mentioned in application * * the whole document *	1-8, 19-27, 29								
<p><input type="checkbox"/> Further documents are listed in the continuation of Box C. <input checked="" type="checkbox"/> See patent family annex.</p>										
<p>* Special categories of cited documents :</p> <p>"A" document defining the general state of the art which is not considered to be of particular relevance</p> <p>"E" earlier application or patent but published on or after the international filing date</p> <p>"L" document which may throw doubts on priority claim(s) or which is cited to establish the publication date of another citation or other special reason (as specified)</p> <p>"O" document referring to an oral disclosure, use, exhibition or other means</p> <p>"P" document published prior to the international filing date but later than the priority date claimed</p>	<p>"T" later document published after the international filing date or priority date and not in conflict with the application but cited to understand the principle or theory underlying the invention</p> <p>"X" document of particular relevance: the claimed invention cannot be considered novel or cannot be considered to involve an inventive step when the document is taken alone</p> <p>"Y" document of particular relevance: the claimed invention cannot be considered to involve an inventive step when the document is combined with one or more other such documents, such combination being obvious to a person skilled in the art</p> <p>"&" document member of the same patent family</p>									
<p>Date of the actual completion of the international search 24 August 2012 (24-08-2012)</p>	<p>Date of mailing of the international search report 28 August 2012 (28-08-2012)</p>									
<p>Name and mailing address of the ISA/CA Canadian Intellectual Property Office Place du Portage I, C114 - 1st Floor, Box PCT 50 Victoria Street Gatineau, Quebec K1A 0C9 Facsimile No.: 001-819-953-2476</p>	<p>Authorized officer Pierre Cuerrier (819) 997-4379</p>									

INTERNATIONAL SEARCH REPORTInternational application No.
PCT/CA2012/050408**Box No. II Observations where certain claims were found unsearchable (Continuation of item 2 of the first sheet)**

This international search report has not been established in respect of certain claims under Article 17(2)(a) for the following reasons :

1. Claim Nos. :
because they relate to subject matter not required to be searched by this Authority, namely :

2. Claim Nos. :
because they relate to parts of the international application that do not comply with the prescribed requirements to such an extent that no meaningful international search can be carried out, specifically :

3. Claim Nos. :
because they are dependent claims and are not drafted in accordance with the second and third sentences of Rule 6.4(a).

Box No. III Observations where unity of invention is lacking (Continuation of item 3 of first sheet)

This International Searching Authority found multiple inventions in this international application, as follows :

- Group A** - Claims 1-8, 19-27 and 29 are directed to a method of cleaning a venting portion of a mold component comprising entering the mold component into a cleaning configuration whereby the venting portion becomes part of the molding surface and performing a molding cycle to fill the venting portion;
- Group B** - Claims 9-18 are directed to a neck ring comprising a venting structure including primary and secondary vent areas and a pocket groove in fluid communication with both vent areas;
- Group C** - Claim 28 is directed to a distance augmenting structure for use in an injection machine.

1. As all required additional search fees were timely paid by the applicant, this international search report covers all searchable claims.
2. As all searchable claims could be searched without effort justifying additional fees, this Authority did not invite payment of additional fees.
3. As only some of the required additional search fees were timely paid by the applicant, this international search report covers only those claims for which fees were paid, specifically claim Nos. : 1-27 and 29
4. No required additional search fees were timely paid by the applicant. Consequently, this international search report is restricted to the invention first mentioned in the claims; it is covered by claim Nos. :

- Remark on Protest** The additional search fees were accompanied by the applicant's protest and, where the payment of a protest fee.
- The additional search fees were accompanied by the applicant's protest but the applicable fee was not paid within the time limit specified in the invitation.
- No protest accompanied the payment of additional search fees.

INTERNATIONAL SEARCH REPORT
Information on patent family members

International application No.
PCT/CA2012/050408

Patent Document Cited in Search Report	Publication Date	Patent Family Member(s)	Publication Date
EP 2343176 A1	13 July 2011 (13-07-2011)	WO2011083135 A2 WO2011083135 A3	14 July 2011 (14-07-2011) 14 July 2011 (14-07-2011)
US 5397230 A	14 March 1995 (14-03-1995)	US 5454991 A	03 October 1995 (03-10-1995)