

Figure 1

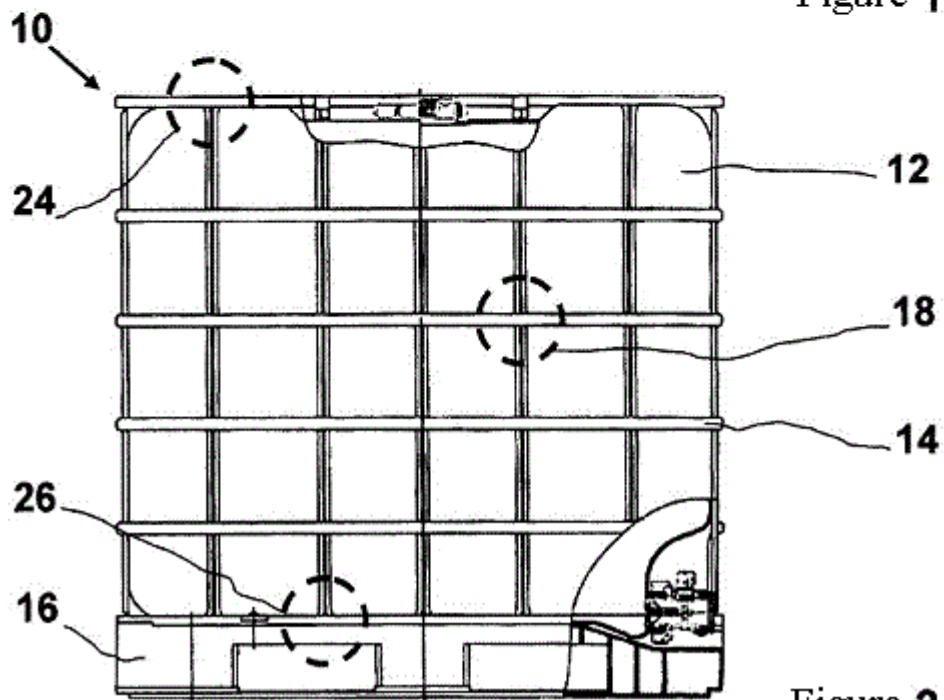


Figure 2

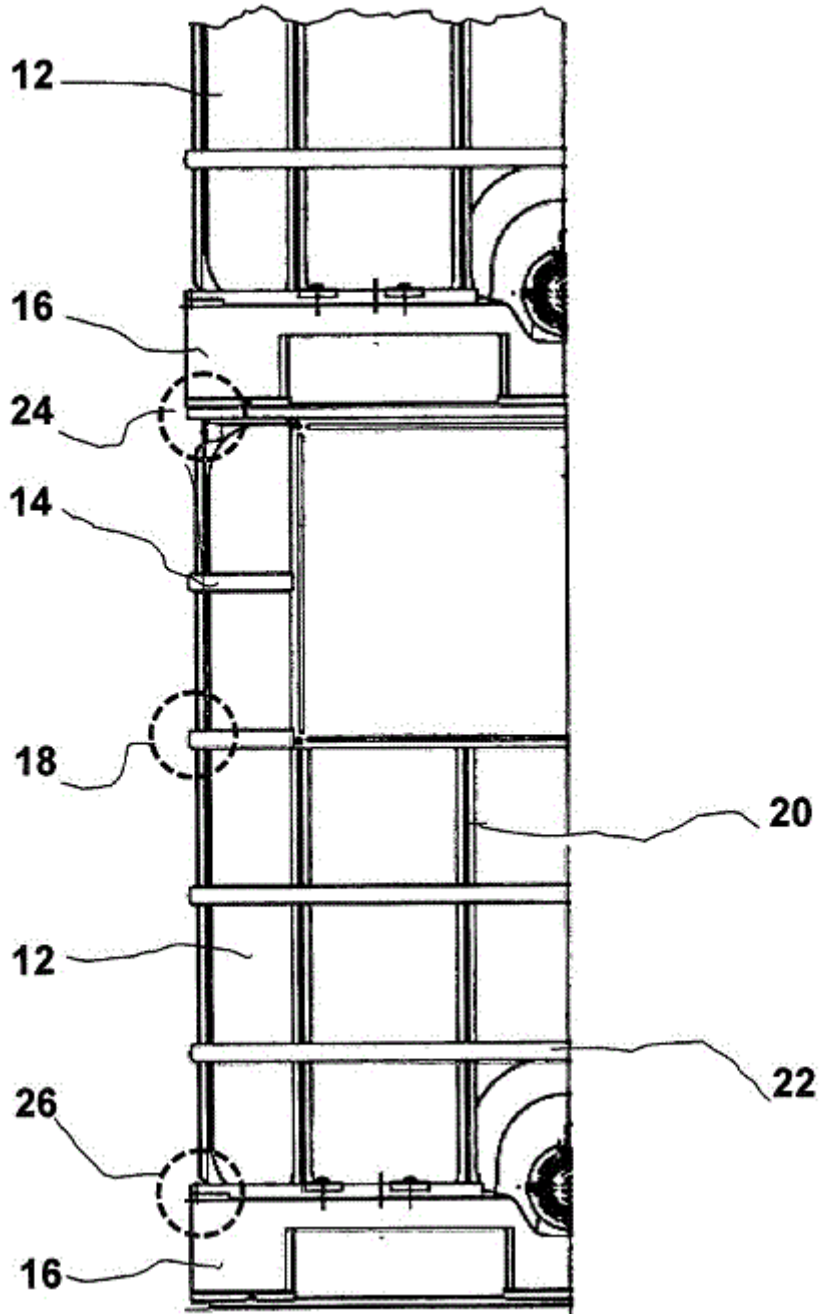


Figure 3

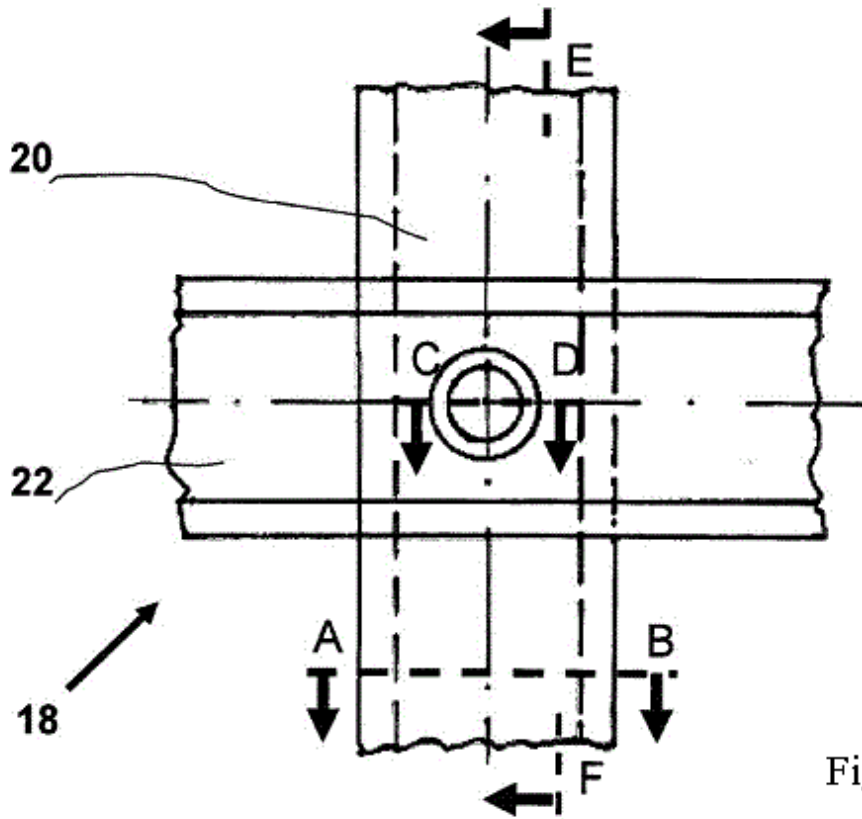


Figure 4

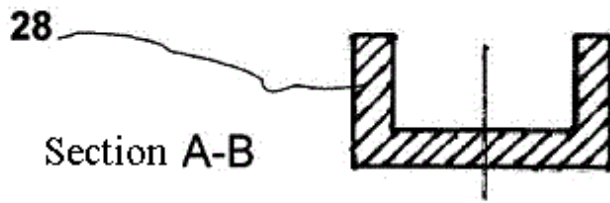


Figure 5

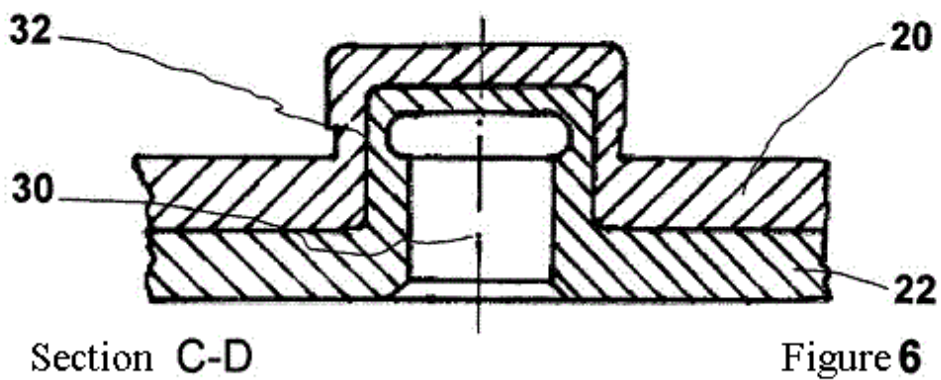
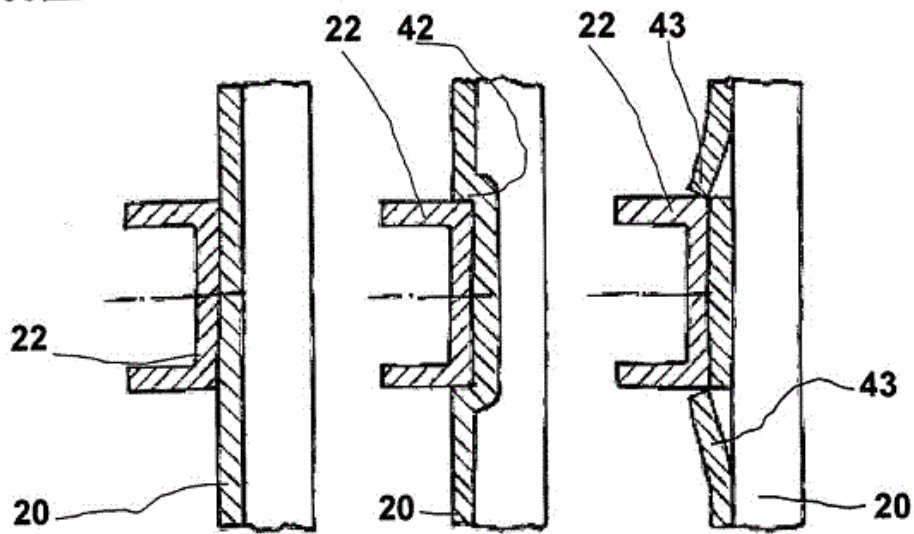
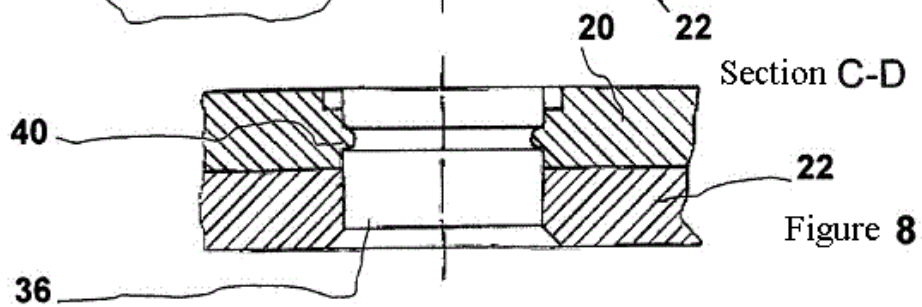
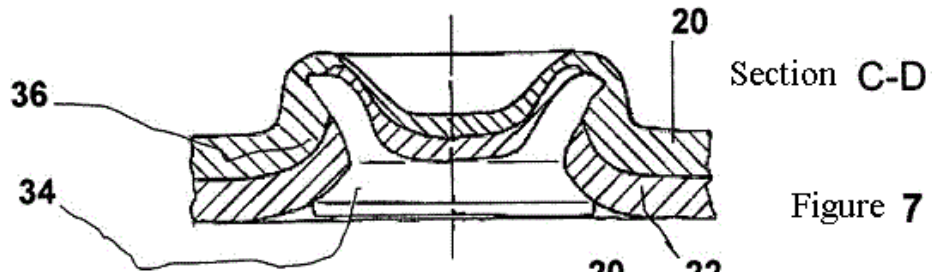


Figure 6



Section E-F

Figure 9

Figure 10

Figure 11

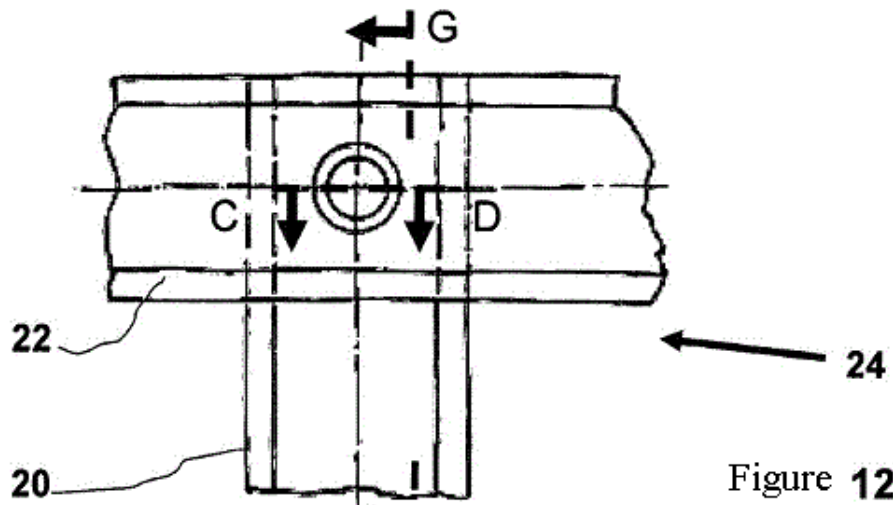


Figure 12

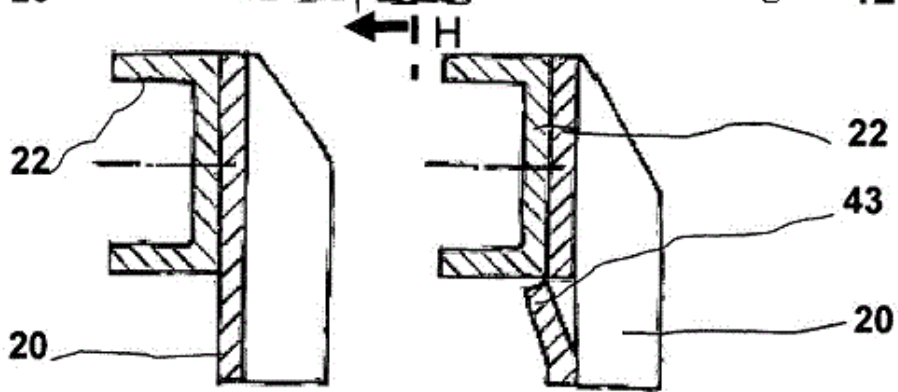


Figure 13

Section G-H

Figure 14

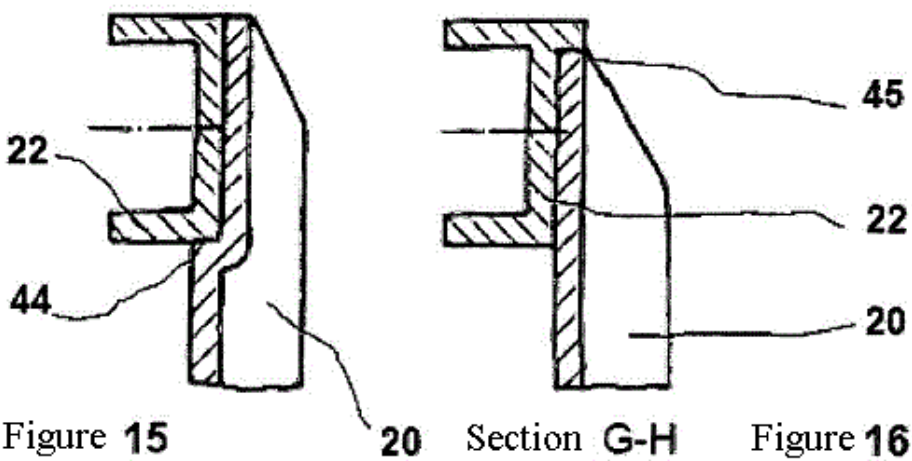


Figure 15

20 Section G-H

Figure 16

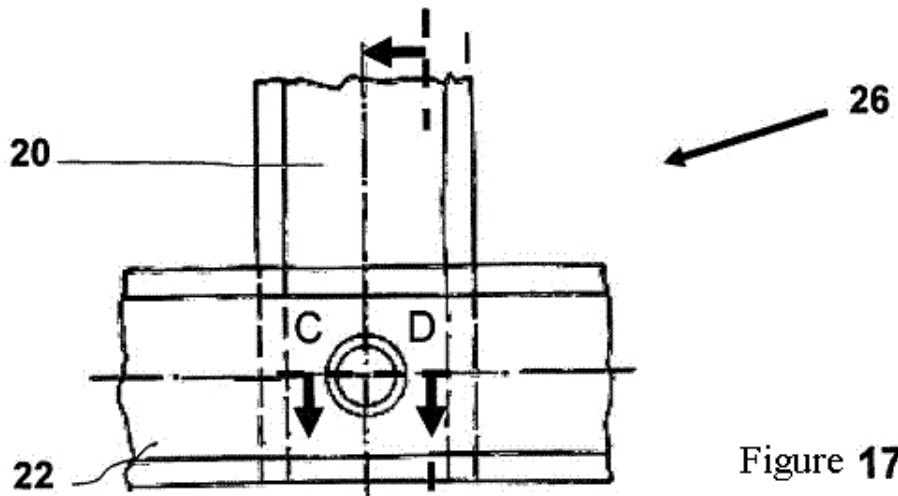


Figure 17

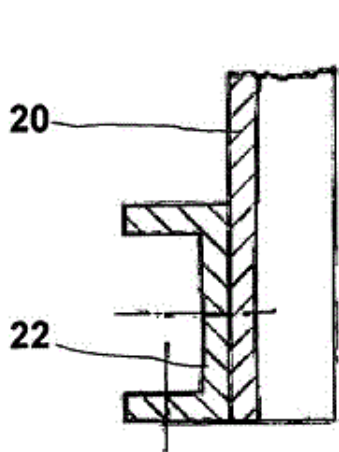


Figure 18

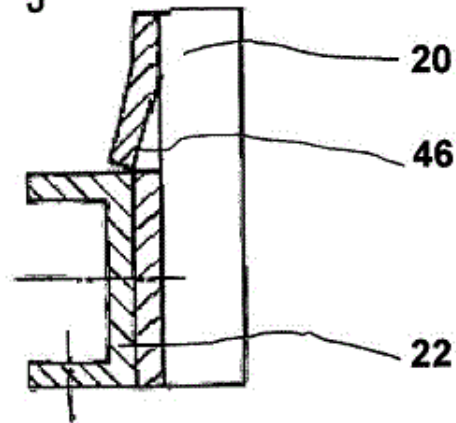


Figure 19

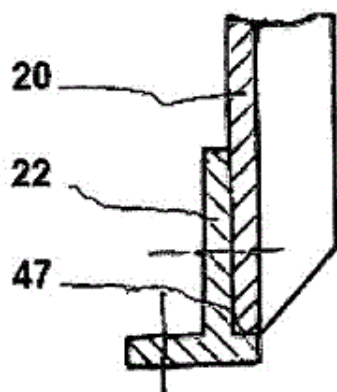


Figure 20

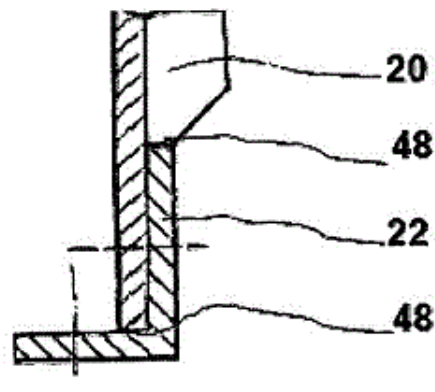
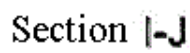


Figure 21