

(19) World Intellectual Property Organization  
International Bureau



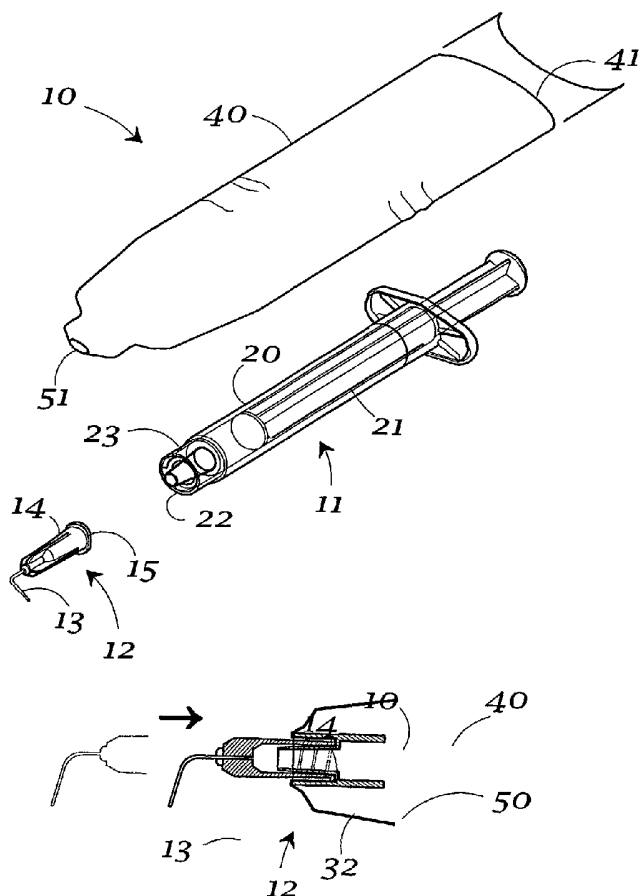
(43) International Publication Date  
23 May 2002 (23.05.2002)

PCT

(10) International Publication Number  
WO 02/040082 A3

- (51) International Patent Classification<sup>7</sup>: A61C 1/16, 5/06, A61M 5/34 (72) Inventor: NESBITT, Lanny; 257 Julia Avenue, Strasburg, PA 17579 (US).
- (21) International Application Number: PCT/US01/50009 (74) Agents: HURA, Douglas, J. et al.; Dentsply International Inc., 570 West College Avenue, P.O. Box 872, York, PA 17404-0872 (US).
- (22) International Filing Date: 7 November 2001 (07.11.2001) (81) Designated State (national): CA.
- (25) Filing Language: English Published: — with international search report
- (26) Publication Language: English (88) Date of publication of the international search report: 9 January 2003
- (30) Priority Data: 60/248,408 14 November 2000 (14.11.2000) US
- (71) Applicant: DENTSPLY INTERNATIONAL INC. [US/US]; 570 West College Avenue, P.O. Box 872, York, PA 17405-0872 (US). For two-letter codes and other abbreviations, refer to the "Guidance Notes on Codes and Abbreviations" appearing at the beginning of each regular issue of the PCT Gazette.

(54) Title: PROTECTIVE SLEEVE FOR A REMOVABLE TIP SYRINGE



(57) Abstract: A syringe sleeve (10) receives a syringe (11) without the syringe (10) dispensing tip (12). After the syringe (11) is received within the sleeve (10), the dispensing tip (12) is affixed to the syringe (11). This causes the end (50) of the sleeve (10) to open and the end (50) to be physically impinged between the tip (12) and the syringe (11). The syringe (11) is thus protected from the operative environment.

WO 02/040082 A3



## INTERNATIONAL SEARCH REPORT

Int            al Application No  
PCT/US 01/50009

## C.(Continuation) DOCUMENTS CONSIDERED TO BE RELEVANT

Category °	Citation of document, with indication, where appropriate, of the relevant passages	Relevant to claim No.
A	WO 91 16938 A (RYAN MEDICAL INC) 14 November 1991 (1991-11-14) page 9, paragraph 2; figures 4,5 -----	1,2
A	DE 41 30 007 A (PALM UELO AARNE ;GIEBEL MARION (DE); BOEMKE WILLEHAD (DE)) 11 March 1993 (1993-03-11) column 4, line 20 - line 24 abstract; figures -----	1,2

## INTERNATIONAL SEARCH REPORT

 Int'l Application No  
 PCT/US 01/50009

Patent document cited in search report		Publication date	Patent family member(s)	Publication date
US 5722829	A	03-03-1998	NONE	
US 5332092	A	26-07-1994	AU 6237394 A WO 9419038 A1	14-09-1994 01-09-1994
FR 2764809	A	24-12-1998	FR 2764809 A1 WO 9857697 A1	24-12-1998 23-12-1998
WO 9116938	A	14-11-1991	AU 645096 B2 AU 7959891 A CA 2082273 A1 DE 69123144 D1 DE 69123144 T2 EP 0527951 A1 ES 2094814 T3 WO 9116938 A1 US 5139483 A	06-01-1994 27-11-1991 08-11-1991 19-12-1996 28-05-1997 24-02-1993 01-02-1997 14-11-1991 18-08-1992
DE 4130007	A	11-03-1993	DE 4130007 A1	11-03-1993