



US00D784982S

(12) **United States Design Patent** (10) **Patent No.:** **US D784,982 S**  
**Alberola et al.** (45) **Date of Patent:** **\*\* Apr. 25, 2017**

(54) **ELECTRONIC DEVICE FOR PROVIDING TRAVEL INFORMATION**

(71) Applicant: **LES SOLUTIONS CYCLELABS INC.**, Montreal (CA)  
(72) Inventors: **Gabriel Alberola**, Montreal (CA); **Olivier Bourbonnais**, Montreal (CA); **Maxime Couturier**, Montreal (CA); **Xavier Peich**, Montreal (CA)

(73) Assignee: **LES SOLUTIONS CYCLELABS INC.**, Montreal (CA)

(\*\*) Term: **15 Years**

(21) Appl. No.: **29/544,513**

(22) Filed: **Nov. 4, 2015**

(51) **LOC (10) Cl.** ..... **14-02**

(52) **U.S. Cl.**  
USPC ..... **D14/358**; D10/74; D12/114

(58) **Field of Classification Search**  
USPC ..... D14/258, 344, 356, 358, 432, 299;  
D12/114; D24/167, 186; D10/65, 70,  
D10/74, 98, 103

(Continued)

(56) **References Cited**

**U.S. PATENT DOCUMENTS**

D391,943 S \* 3/1998 Han ..... D14/356  
D508,738 S \* 8/2005 Lodato ..... D14/138 R  
(Continued)

**FOREIGN PATENT DOCUMENTS**

CN 203127034 U 8/2013  
CN 103640656 A 3/2014  
DE 19906596 A1 5/2000  
DE 20213414 U1 2/2003  
KR 101318148 B1 10/2013  
TW M395833 U 1/2011  
WO 2014205345 A2 12/2014

**OTHER PUBLICATIONS**

Electronic Device—Les Solutions Cyclelabs (Design—© Questel). orbit.com [online PDF] 3 pages. Print Date Nov. 13, 2015 [retrieved on Nov. 19, 2016] <https://sobjprd.questel.fr/export/QPTUJ214/pdf2/0a9b7b1a-596e-4340-b262-1865c4f39085-144155.pdf>.  
Intelligent bicycle navigational system. (Design—© Questel). orbit.com [online PDF] 5 pages. Print Date Feb. 3, 2016 2015 [retrieved on Nov. 19, 2016] <https://sobjprd.questel.fr/export/QPTUJ214/pdf2/5ef1897e-8a66-4be6-9456-8257e213e035-150605.pdf>.

(Continued)

*Primary Examiner* — Susan Bennett Hattan

*Assistant Examiner* — Marie Fast Horse

(74) *Attorney, Agent, or Firm* — BCF LLP

(57) **CLAIM**

The ornamental design for electronic device for providing travel information, as shown and described.

**DESCRIPTION**

FIG. 1 is a perspective view taken from a front, right side of an electronic device for providing travel information according to our design;

FIG. 2 is a top plan view of the electronic device for providing travel information of FIG. 1;

FIG. 3 is a bottom plan view of the electronic device for providing travel information of FIG. 1;

FIG. 4 is a rear elevation view of the electronic device for providing travel information of FIG. 1;

FIG. 5 is a front elevation view of the electronic device for providing travel information of FIG. 1;

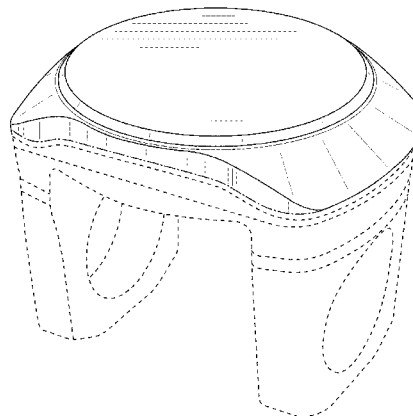
FIG. 6 is a left side elevation view of the electronic device for providing travel information of FIG. 1;

FIG. 7 is a right side elevation view of the electronic device for providing travel information of FIG. 1; and,

FIG. 8 is a perspective view taken from a front, left side of the electronic device for providing travel information of FIG. 1, shown mounted on a handlebar of a bicycle.

The dashed broken lines portions of the electronic device for providing travel information that form no part of the claimed design; the unshaded surfaces form no part of the claimed design; the dotted/dashed broke lines depict the bounds of claim, which extends to the boundary but does not include the boundary.

**1 Claim, 8 Drawing Sheets**



- (58) **Field of Classification Search**  
 CPC ..... B62J 11/00; B62J 99/00; A45F 2005/008;  
 G01C 21/36; G01C 21/3632  
 See application file for complete search history.

(56) **References Cited**

U.S. PATENT DOCUMENTS

D528,451	S *	9/2006	Cunningham	.....	D10/98
D611,366	S *	3/2010	Register	.....	D10/65
D621,832	S *	8/2010	Lee	.....	D14/358
D630,955	S *	1/2011	McAlpine	.....	D10/74
D642,184	S *	7/2011	Brouwers	.....	D14/486
D647,434	S *	10/2011	Chambers	.....	D12/114
8,126,645	B2	2/2012	Hsu		
D659,564	S *	5/2012	Baxter	.....	D10/65
D661,206	S *	6/2012	Register	.....	D10/38
D669,894	S *	10/2012	Cobbett	.....	D14/358
D670,696	S *	11/2012	Cobbett	.....	D14/358
8,305,742	B2 *	11/2012	Onnela	.....	B62J 11/00
					29/622
D673,464	S *	1/2013	Perko	.....	D10/38
8,643,722	B2 *	2/2014	Solida	.....	B62J 99/00
					348/148
D713,839	S *	9/2014	Endo	.....	D14/258
8,825,390	B2	9/2014	Chen et al.		
D714,776	S *	10/2014	Kirzinger	.....	D14/258
D717,759	S *	11/2014	Choi	.....	D10/38
D726,562	S *	4/2015	Jeon	.....	D10/103
D726,677	S *	4/2015	Choi	.....	D10/38
D730,198	S *	5/2015	Perko	.....	D10/31
D750,510	S *	3/2016	Lenz	.....	D10/65
D765,549	S *	9/2016	Khodapanah	.....	D12/114
D768,124	S *	10/2016	Daniels	.....	D12/114
2008/0234932	A1	9/2008	Lee		
2012/0078511	A1	3/2012	Lim		
2014/0343843	A1	11/2014	Yanku		
2015/0130944	A1	5/2015	Hsu		
2015/0285657	A1	10/2015	Sarvestani		

OTHER PUBLICATIONS

SmarHalo is a heavenly simple bike navigator and tracker that thwarts thieves. digitaltrends.com. (online) 1 pg. Uploaded Aug. 28, 2015 [retrieved on Nov. 19, 2016] <http://www.digitaltrends.com/health-fitness/smarthalo-bike-gps/>.\*

SmarHalo—Turn any bike into a smart bike. youtube.com. (online) 1 pg. Uploaded Aug. 25, 2015 [retrieved on Nov. 19, 2016] <https://www.youtube.com/watch?v=lfkKndy0l6o>.\*

English Abstract of CN203127034 retrieved on Espacenet on Nov. 3, 2015.

English Abstract of DE20213414 retrieved on Espacenet on Nov. 3, 2015.

English Abstract of CN1103640656 retrieved on Espacenet on Nov. 3, 2015.

English Abstract of KR101318148 retrieved on Espacenet on Nov. 3, 2015.

English Abstract of DE19906596 retrieved on Espacenet on Nov. 3, 2015.

Vice retrieved from <http://www.damonahola.com/vice-smart-bike-system/> on Nov. 3, 2015.

Baidu DuBike retrieved from <http://dubike.baidu.com/web-en.html> on Nov. 3, 2015.

Vanhawks Valour retrieved from <https://www.vanhawks.com/> on Nov. 3, 2015.

Helios retrieved from <http://www.ridehelios.com/> on Nov. 3, 2015.

Cookee retrieved from <http://kicktrend.com/2015/08/06/cookee-smart-bike-for-the-young/> on Nov. 3, 2015.

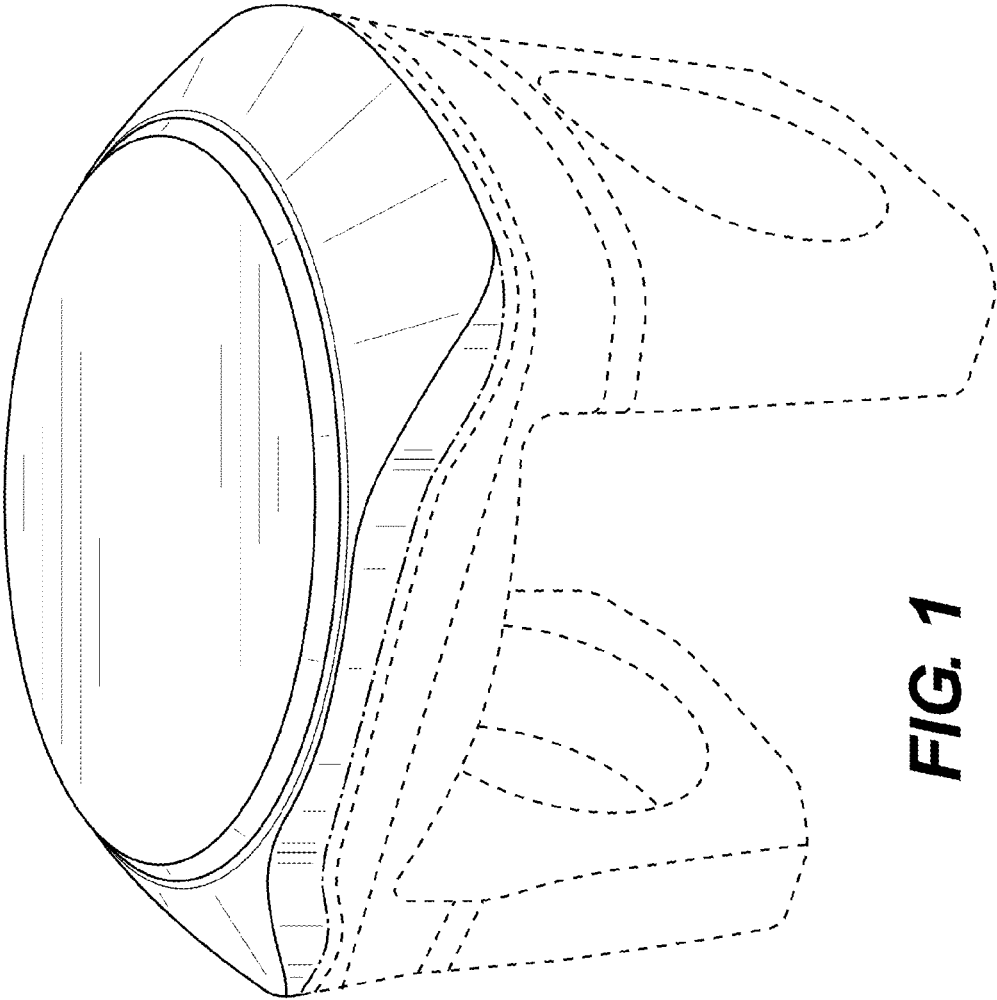
BiCi retrieved from <http://www.pozible.com/project/188953> on Nov. 3, 2015.

Wahoo ELEMNT retrieved from <http://www.wahoofitness.com/gps-bike-computer-elemnt.html> on Nov. 3, 2015.

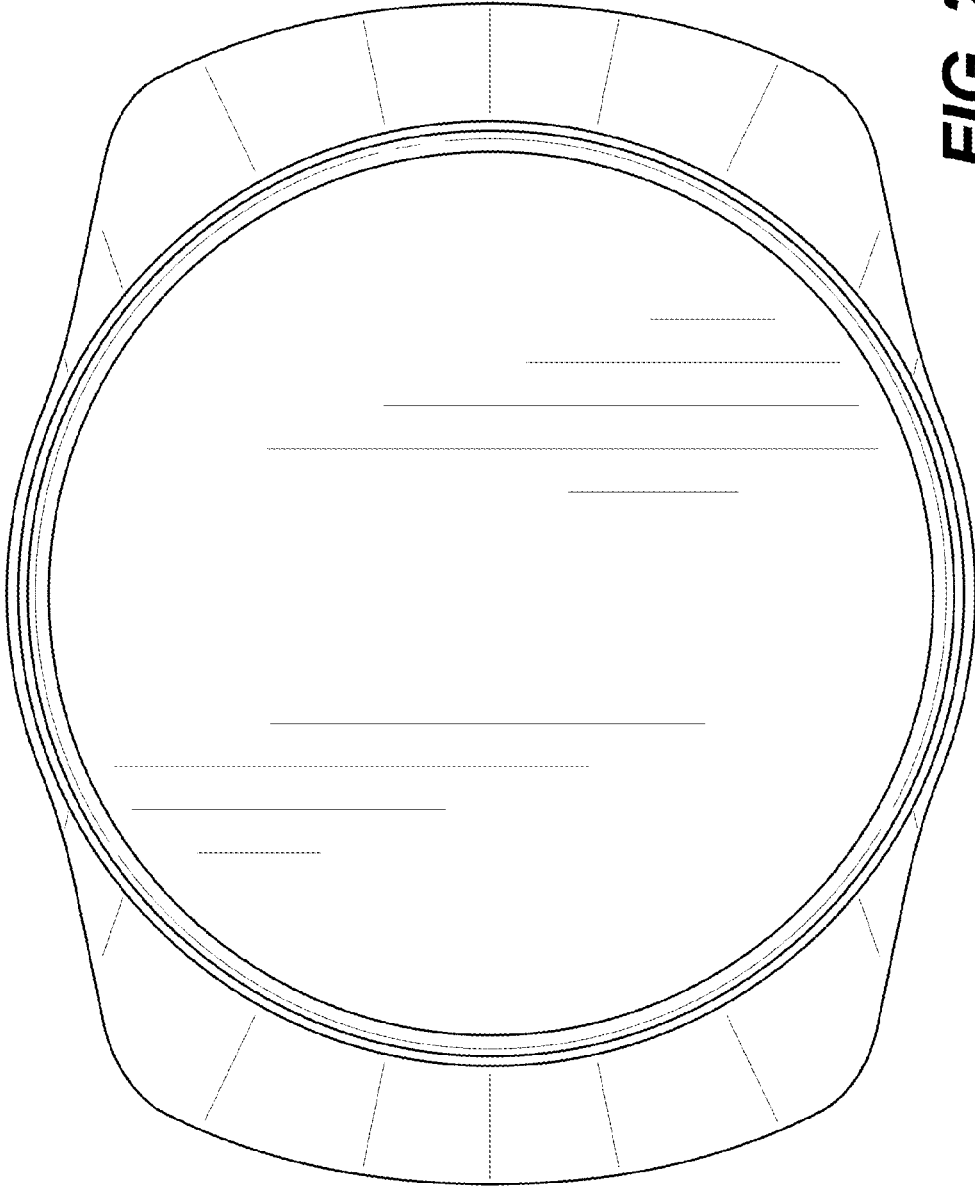
Haiku retrieved from <http://www.haiku.bike/> on Nov. 3, 2015.

Canyon retrieved from <http://www.bikeradar.com/news/article/canyons-smart-bike-computer-is-a-world-first-45123/> on Nov. 3, 2015.

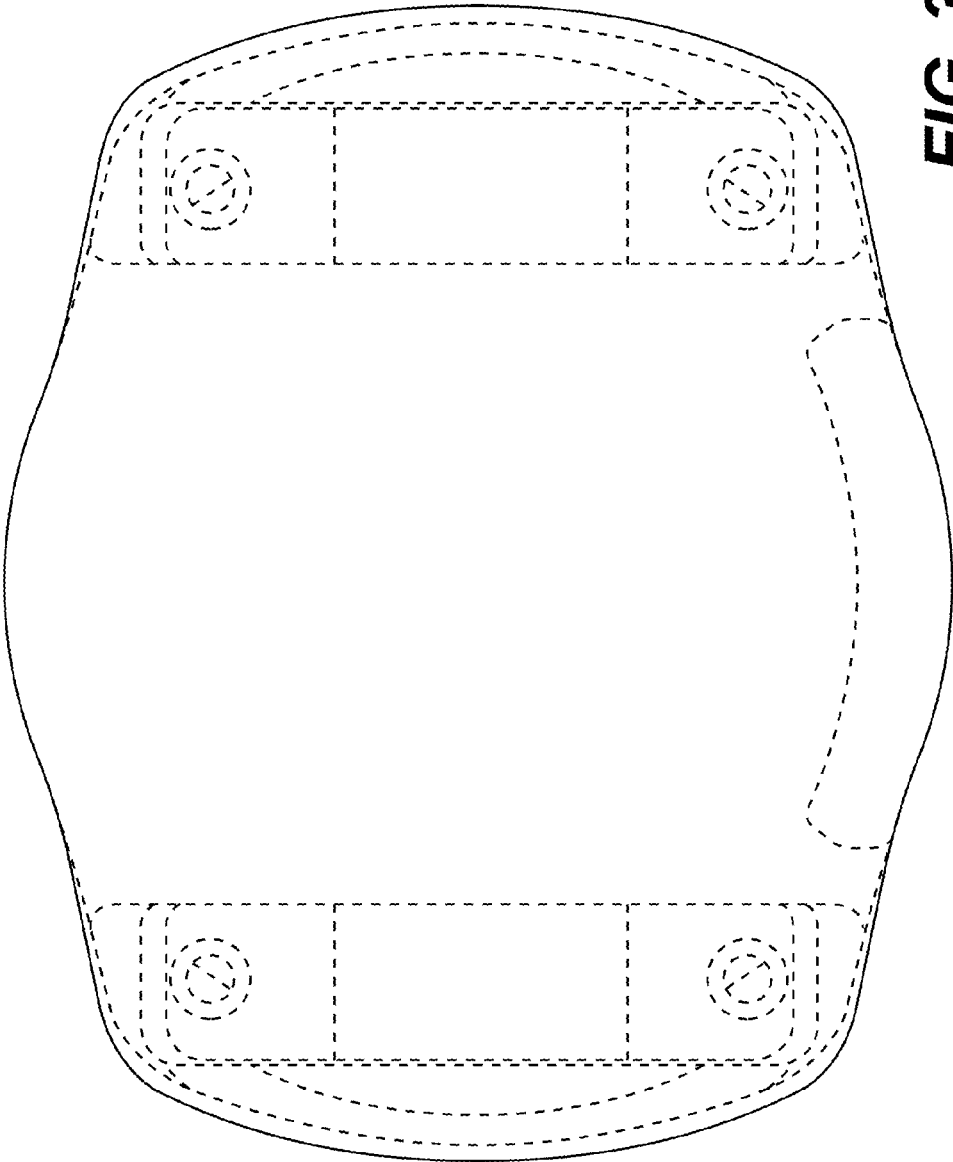
\* cited by examiner



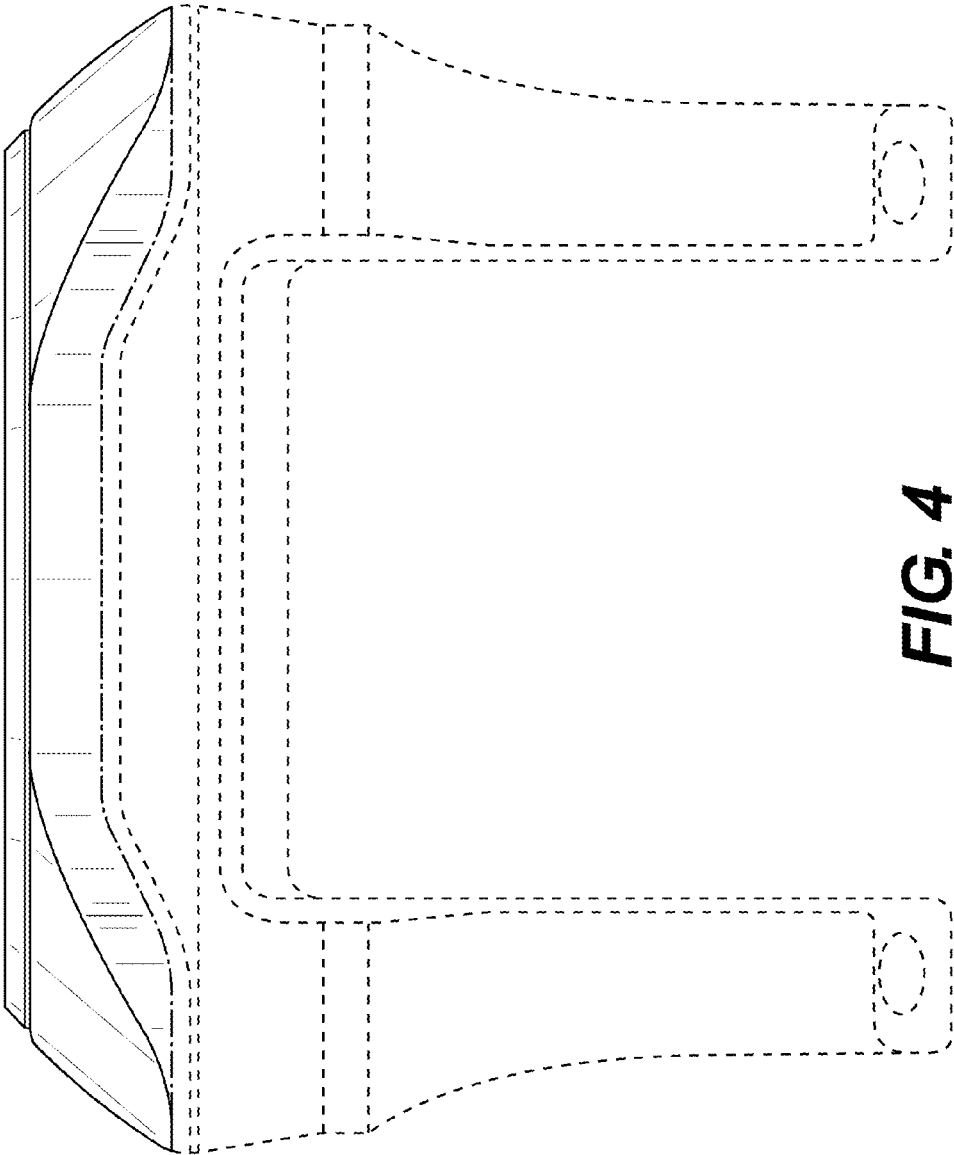
**FIG. 1**



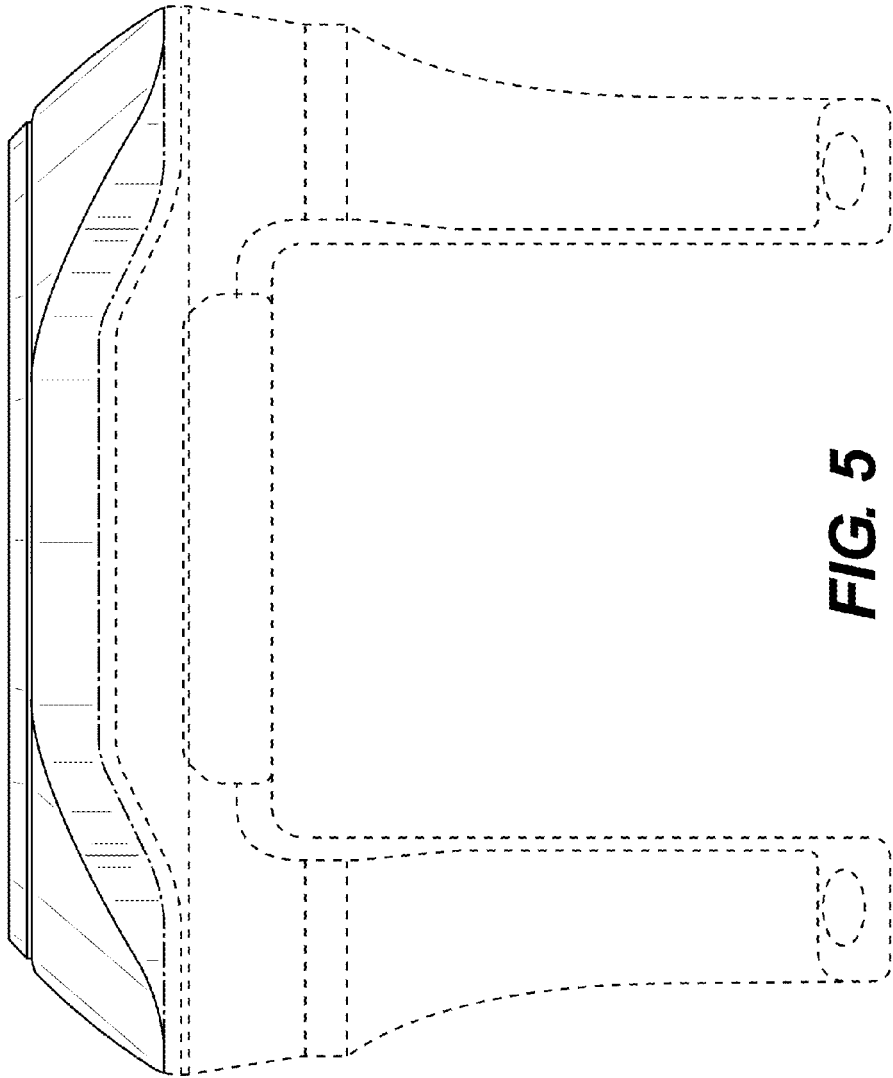
**FIG. 2**



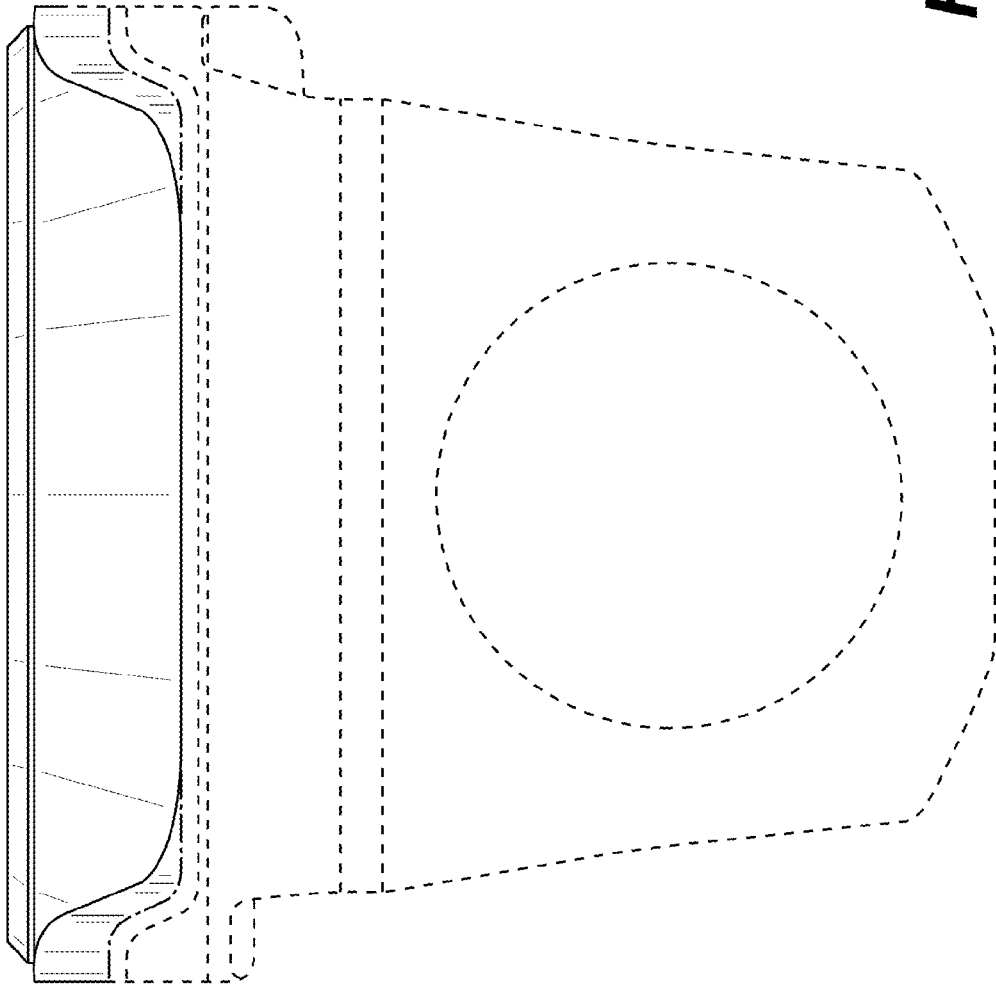
**FIG. 3**



**FIG. 4**

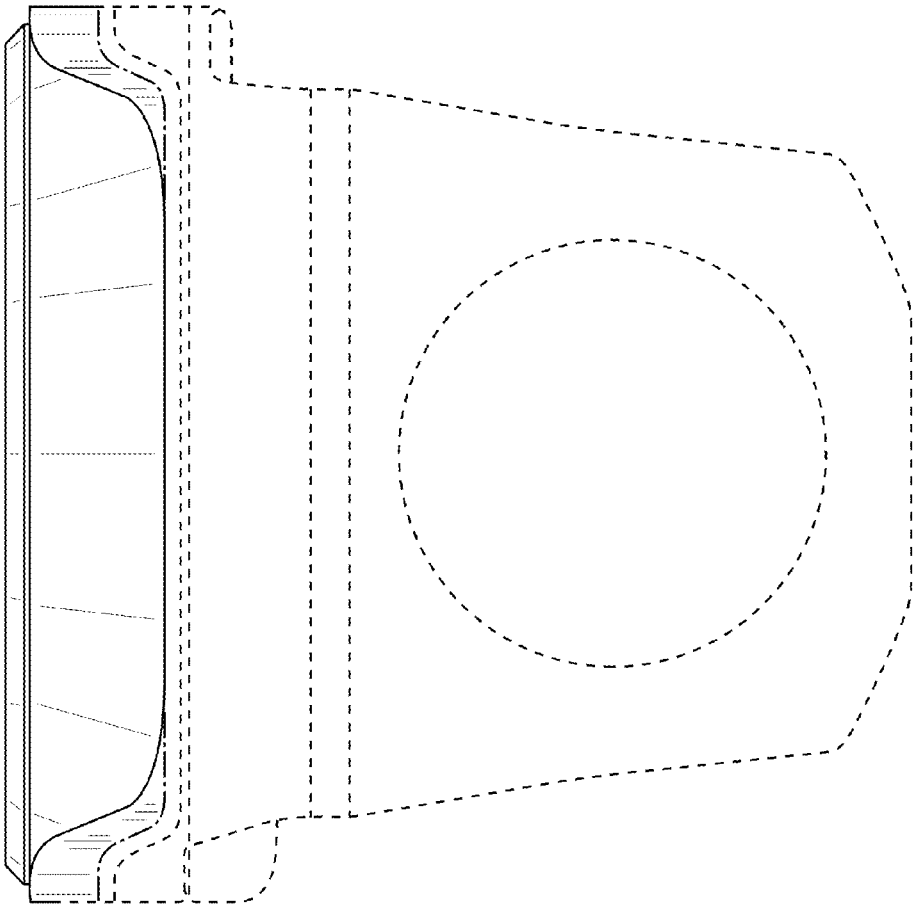


**FIG. 5**

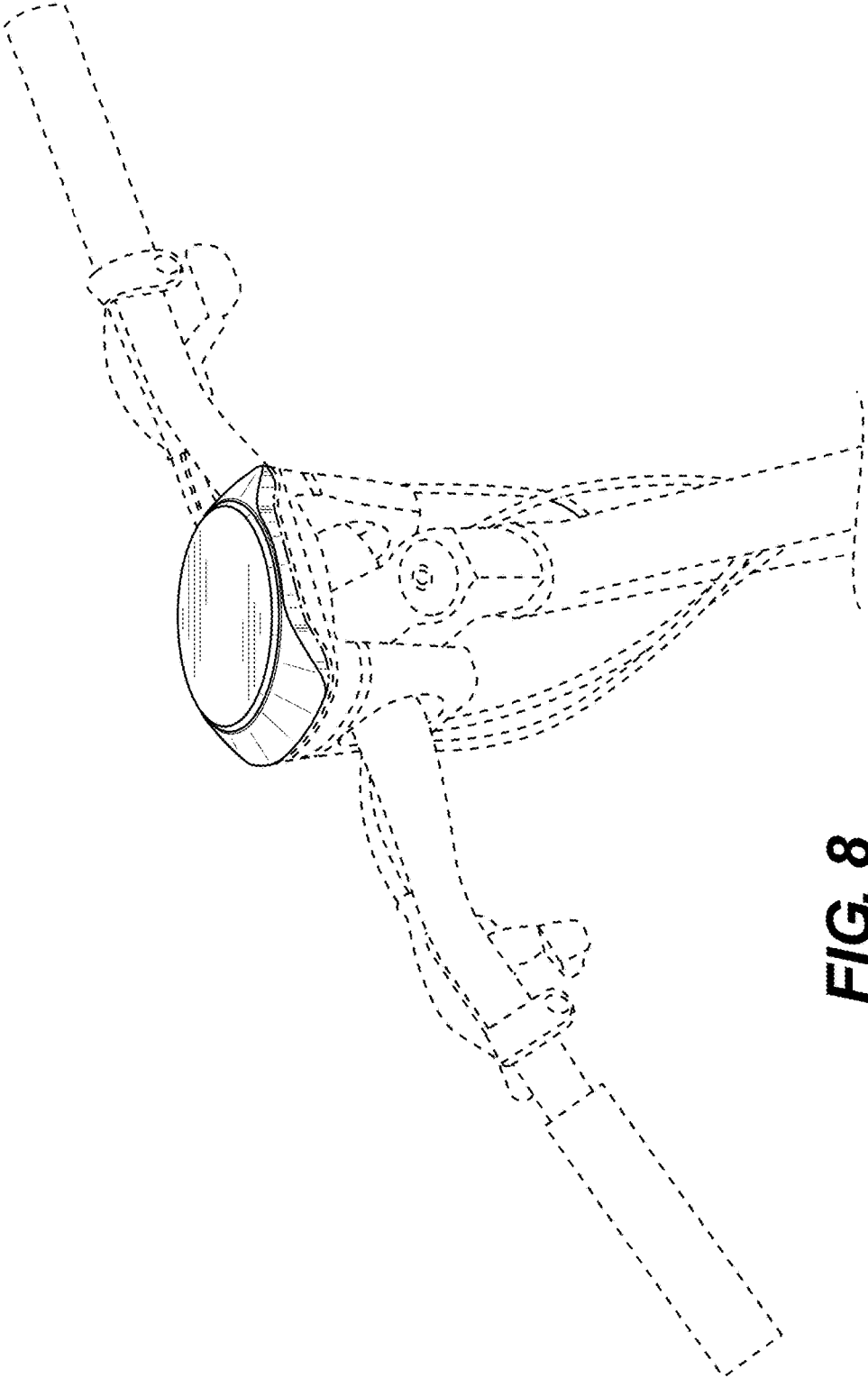


**FIG. 6**





**FIG. 7**



**FIG. 8**