



US00D762417S

(12) **United States Design Patent**
Kemker

(10) **Patent No.:** **US D762,417 S**

(45) **Date of Patent:** **** Aug. 2, 2016**

(54) **STIRRER**

(71) Applicant: **Vorwerk & Co. Interholding GmbH,**
Wuppertal (DE)

(72) Inventor: **Uwe Kemker,** Wuppertal (DE)

(73) Assignee: **Vorwerk & Co. Interholding GmbH,**
Wuppertal (DE)

(**) Term: **14 Years**

(21) Appl. No.: **29/510,103**

(22) Filed: **Nov. 25, 2014**

(30) **Foreign Application Priority Data**

Sep. 3, 2014 (EM) 001420202

(51) **LOC (10) Cl.** **31-00**

(52) **U.S. Cl.**
USPC **D7/412**

(58) **Field of Classification Search**

USPC D7/372, 376-386, 412-413, 602, 629,
D7/665-666, 669, 679, 693-694
CPC A21C 1/02; A21C 1/04; A23N 1/00;
A23N 1/02; A47J 43/04; A47J 43/25; A47J
43/27; A47J 43/042; A47J 43/044; A47J
43/046; A47J 43/075; A47J 43/0722; A47J
43/0727; B01F 3/00; B01F 3/0807; B01F
3/0853; B01F 13/0059; B01F 13/0064;
B02C 1/08; B02C 2/04; B02C 4/42; B02C
4/142; B02C 4/143; B02C 4/423; B02C
13/1835; B28C 5/10; B28C 5/12; B28C 5/14;
B28C 5/16

See application file for complete search history.

(56) **References Cited**

U.S. PATENT DOCUMENTS

D421,201 S * 2/2000 Crescenzi D7/412
D421,546 S * 3/2000 Ekstrom D7/412
D623,890 S * 9/2010 Metaxatos D7/376
D647,365 S * 10/2011 Audette D7/376
D668,115 S * 10/2012 Potter D7/376

(Continued)

OTHER PUBLICATIONS

Specification, Claim and Drawings of U.S. Appl. No. 29/512,475,
filed Dec. 2, 2014.

Primary Examiner — Ricky Pham

(74) *Attorney, Agent, or Firm* — Collard & Roe, P.C.

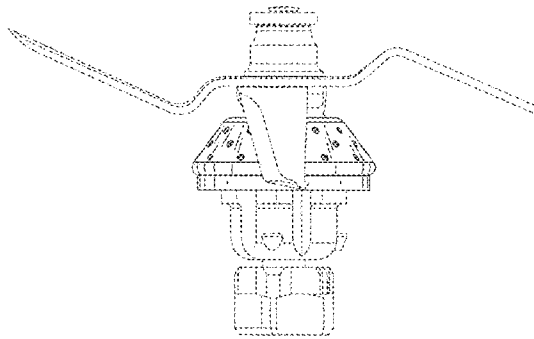
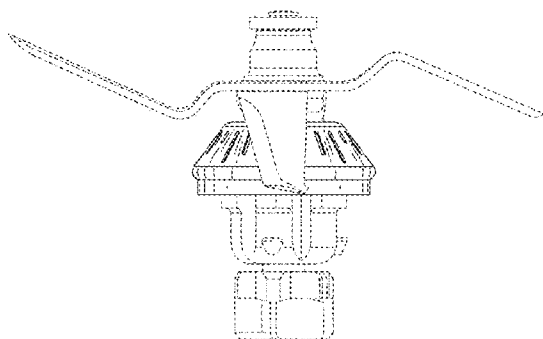
(57) **CLAIM**

The ornamental design for a stirrer, as shown and described.

DESCRIPTION

FIG. 1 is a front view of a stirrer, showing my new design
FIG. 2 is a side view thereof;
FIG. 3 is a rear view thereof;
FIG. 4 is another side view thereof, opposite the side view of
FIG. 3;
FIG. 5 is top view thereof;
FIG. 6 is a bottom view thereof;
FIG. 7 is a bottom and side perspective view thereof;
FIG. 7a is an enlarged detail of circle VIIa of FIG. 7;
FIG. 8 is a front view of another alternate embodiment of a
stirrer, showing my new design;
FIG. 9 is a side view thereof;
FIG. 10 is a rear view thereof;
FIG. 11 is another side view thereof, opposite the side view of
FIG. 9;
FIG. 12 is top view thereof;
FIG. 13 is a bottom view thereof;
FIG. 14 is a bottom and side perspective view thereof; and,
FIG. 14a is an enlarged detail of circle XIVa of FIG. 14.
The features shown in broken lines show environmental
structure only and form no part of the claimed design.

1 Claim, 8 Drawing Sheets



US D762,417 S

Page 2

(56)

References Cited

U.S. PATENT DOCUMENTS

D684,817 S *	6/2013	Leavitt	D7/412	D708,902 S *	7/2014	Audette	D7/376
D700,013 S *	2/2014	Chu	D7/376	D709,324 S *	7/2014	Guo	D7/376
8,721,164 B2 *	5/2014	Audette	A47J 43/0722 366/205	D709,325 S *	7/2014	Guo	D7/376
				D729,573 S *	5/2015	Moon	D7/376
				2008/0198691 A1 *	8/2008	Behar	A47J 43/0722 366/205

* cited by examiner

Fig. 1

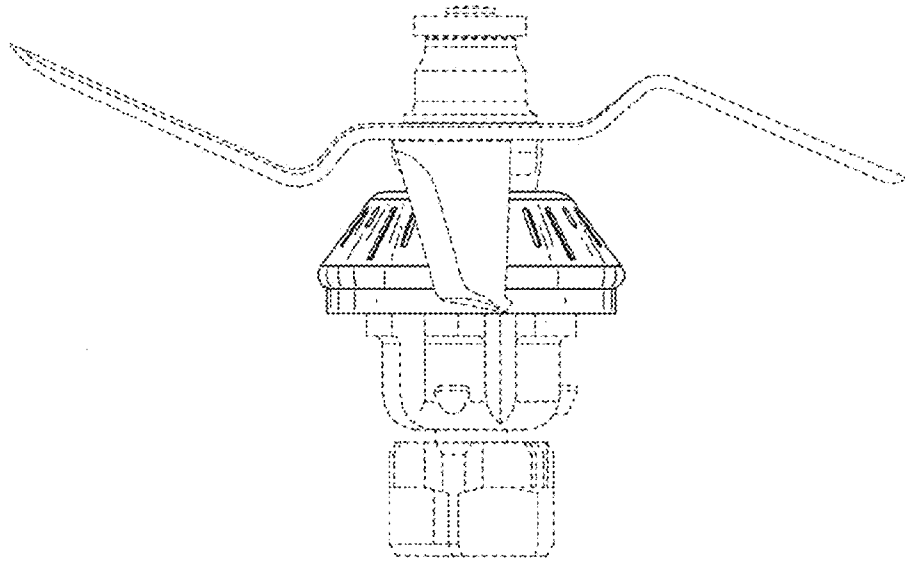


Fig. 2

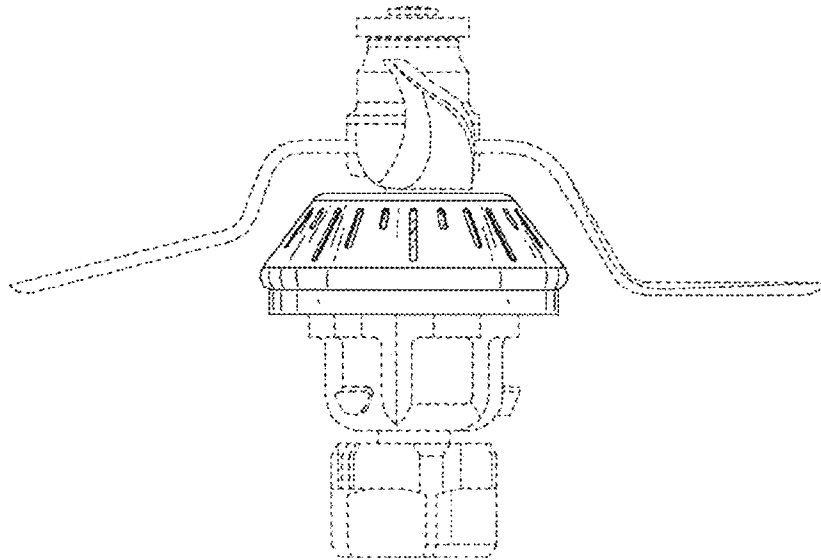


Fig. 3

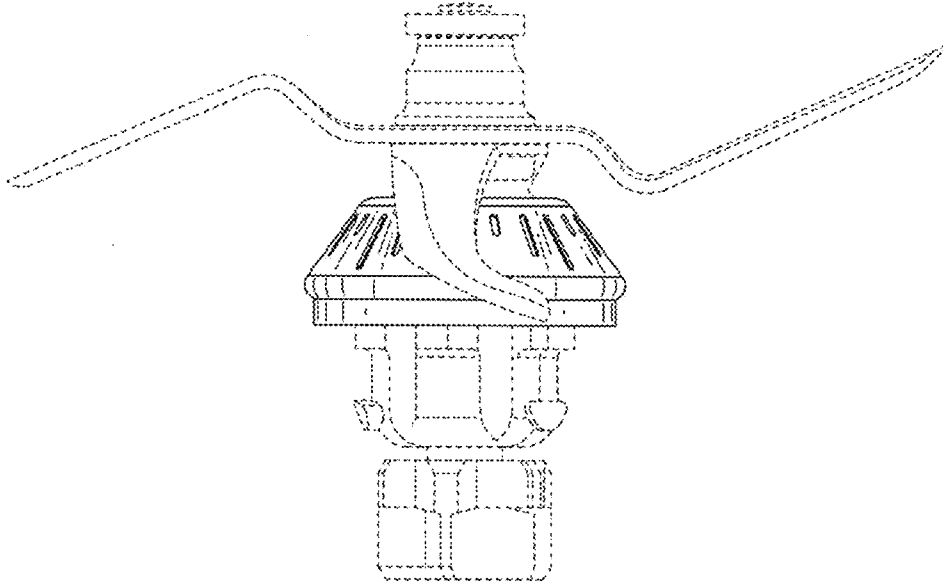


Fig. 4

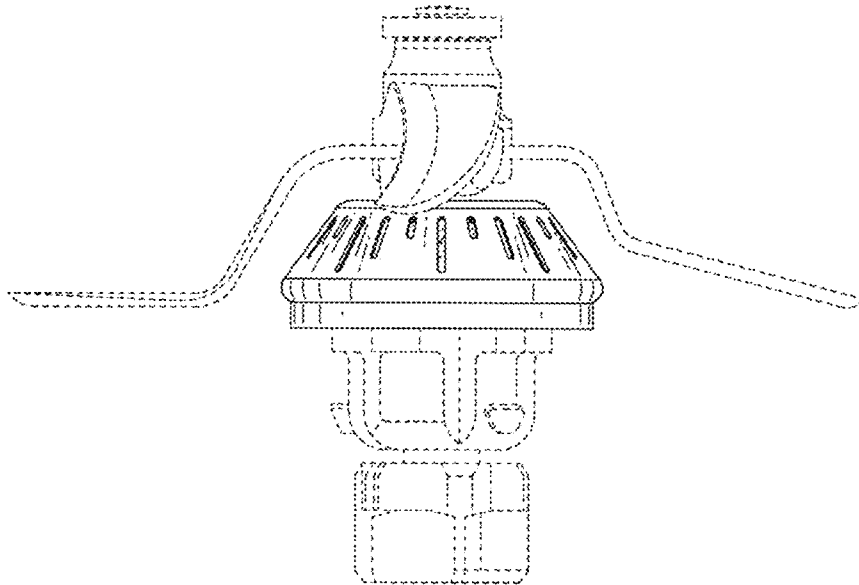


Fig. 5

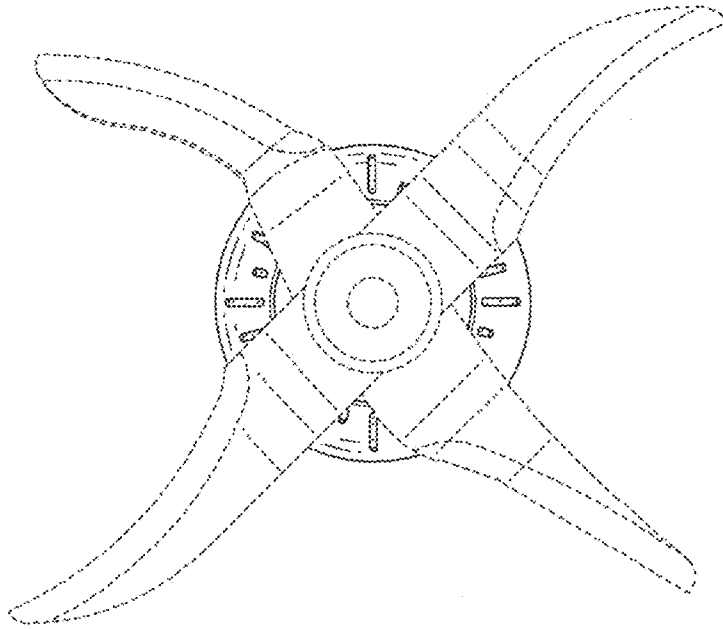


Fig. 6

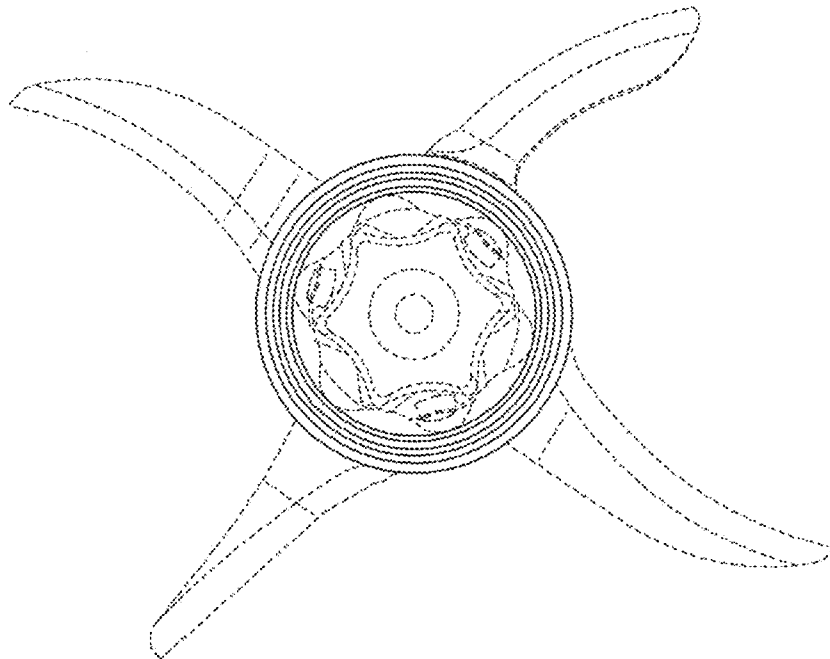


Fig. 7

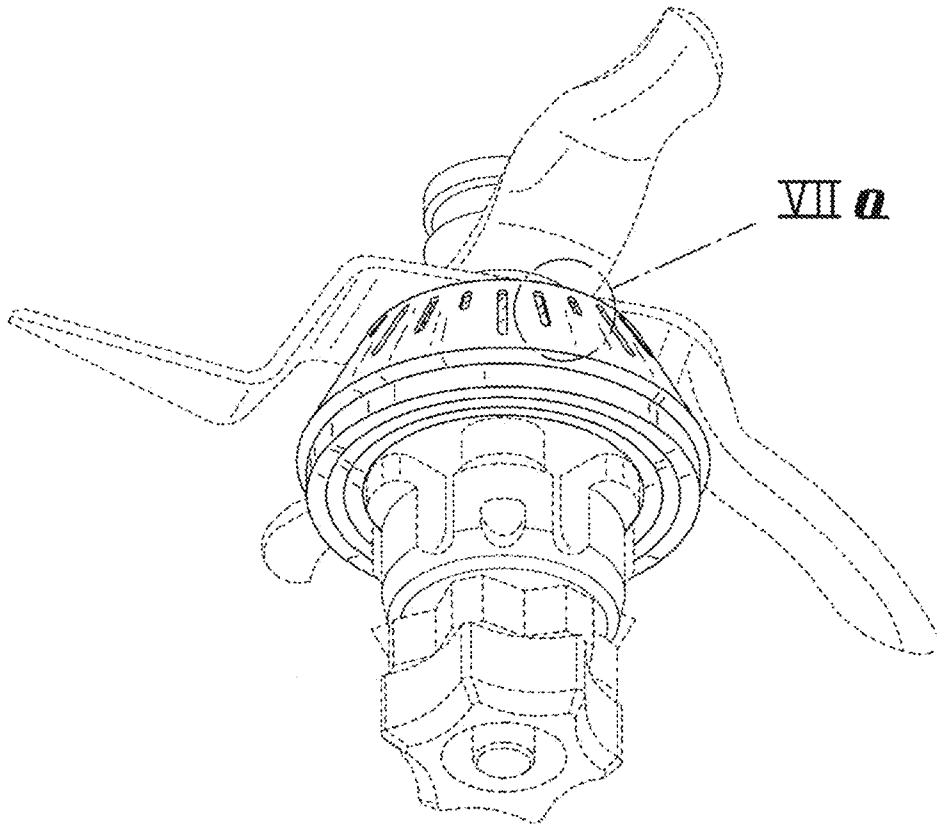


Fig. 7a

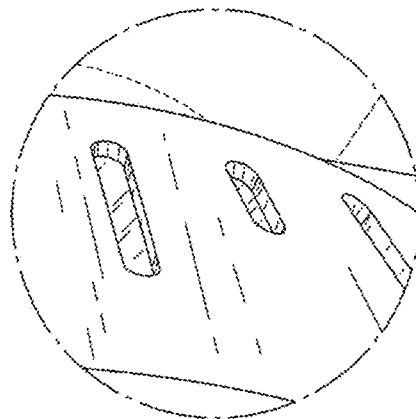


Fig. 8

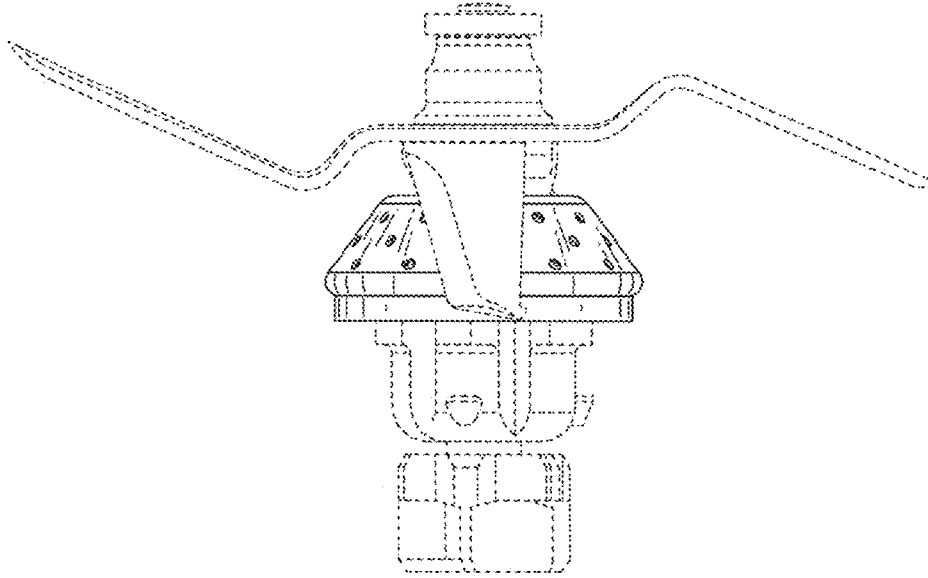


Fig. 9

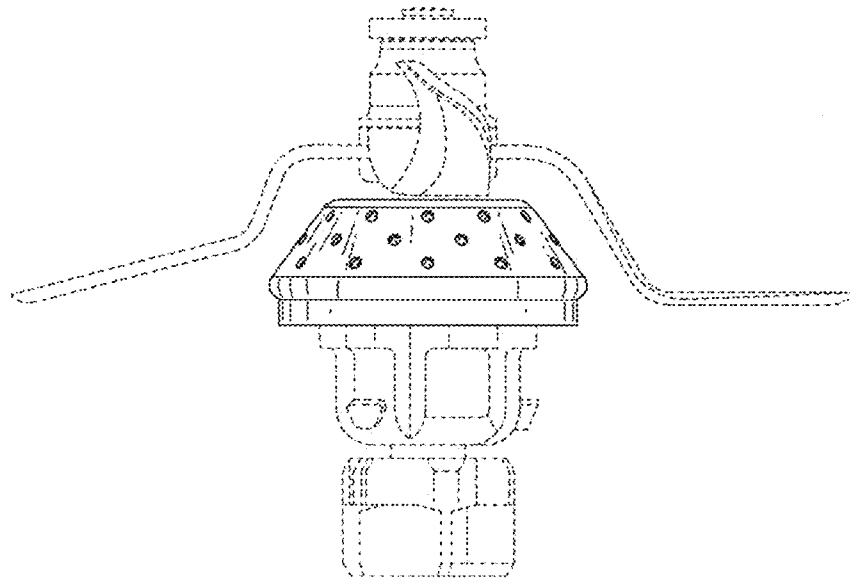


Fig. 10

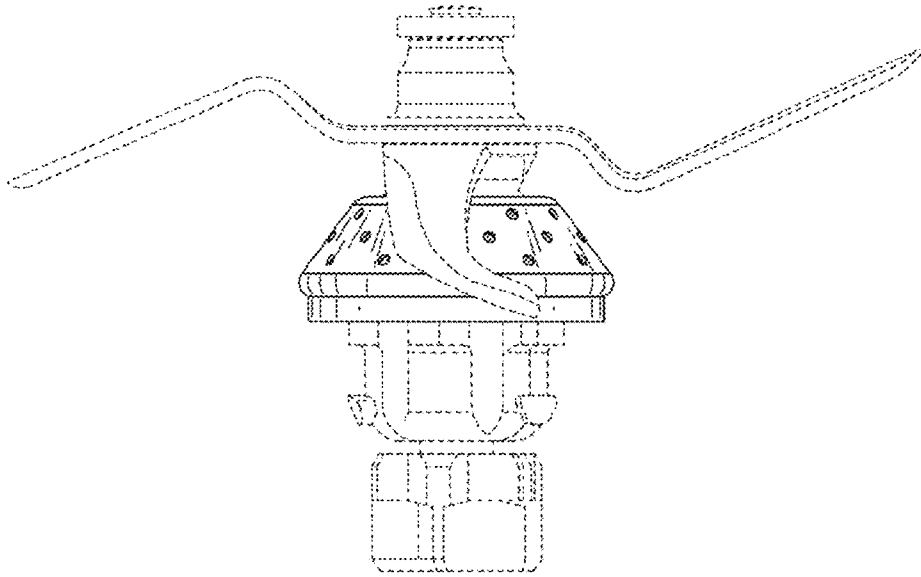


Fig. 11

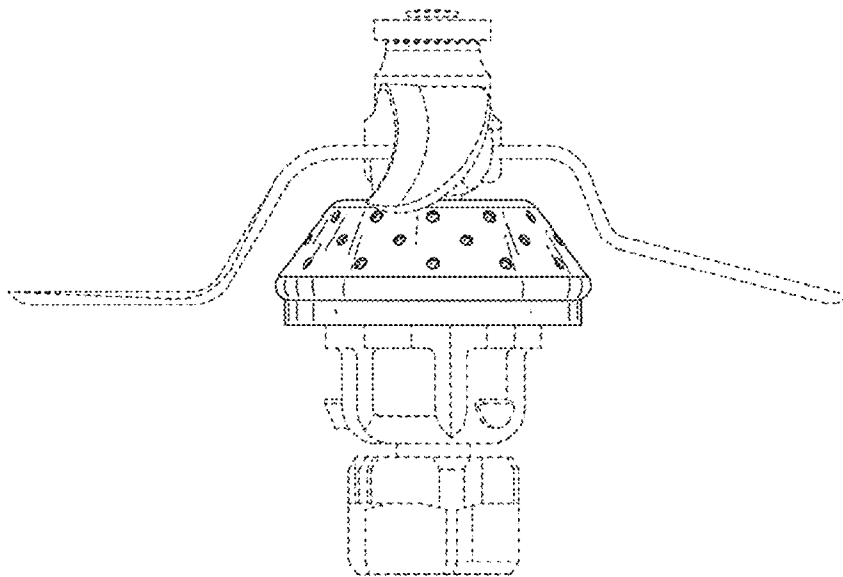


Fig. 12

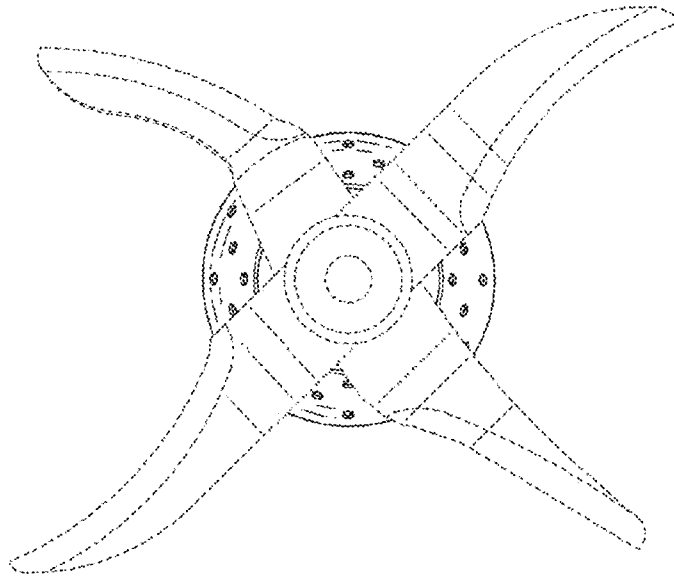


Fig. 13

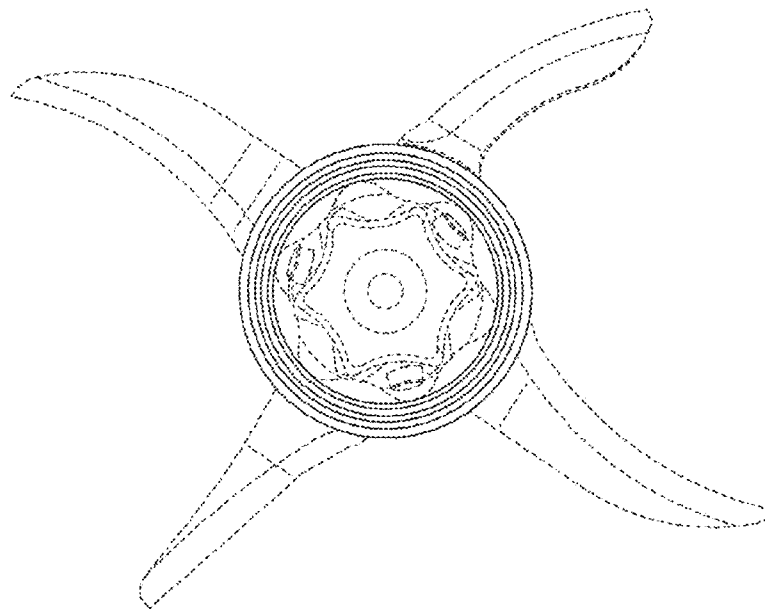


Fig. 14

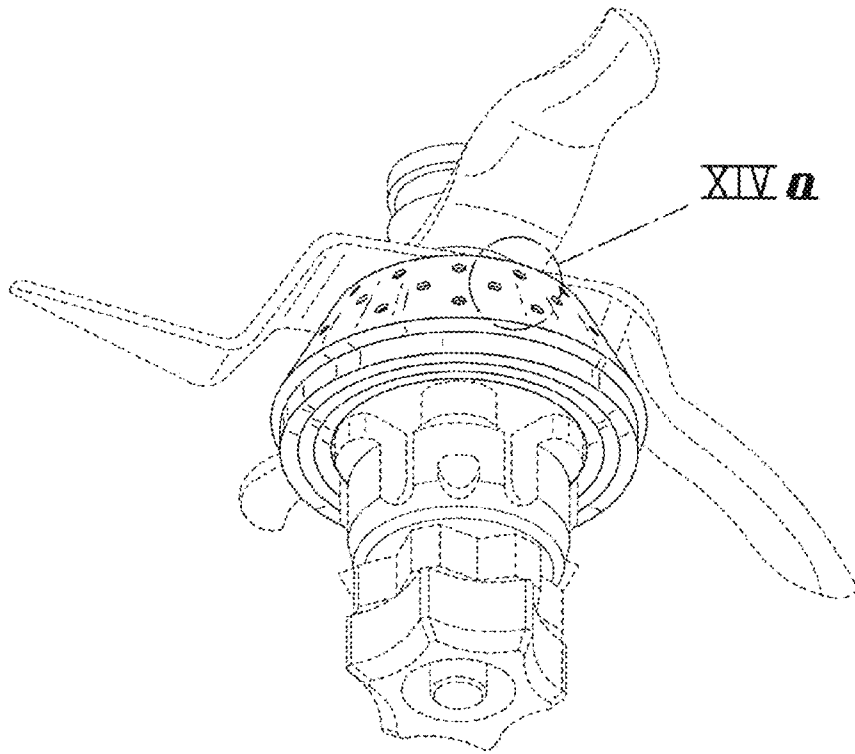


Fig. 14a

