



- (51) International Patent Classification:
E21B 47/00 (2012.01)
- (21) International Application Number:
PCT/US2012/042132
- (22) International Filing Date:
13 June 2012 (13.06.2012)
- (25) Filing Language: English
- (26) Publication Language: English
- (30) Priority Data:
61/496,180 13 June 2011 (13.06.2011) US
- (71) Applicant (for FR only): SERVICES PETROLIERS SCHLUMBERGER [FR/FR]; 42 rue Saint Dominique, F-75007 Paris (FR).
- (71) Applicant (for AL, AM, AU, AZ, BF, BG, BJ, BY, CF, CG, CI, CM, CO, CZ, DE, DK, GA, GN, GQ, GR, GW, HU, ID, IE, IL, IT, KG, KP, KR, KZ, LT, MD, ML, MR, MX, MY, NE, NO, NZ, OM, PL, QA, RO, RU, SI, SK, SN, TD, TG,

TH, TJ, TM, TN, TR, TT, UZ, ZA only): SCHLUMBERGER TECHNOLOGY B.V. [NL/NL]; Parkstraat 83-89m, NL-2514 JG The Hague (NL).

(71) Applicant (for GB, JP, NL only): SCHLUMBERGER HOLDINGS LIMITED; P.O. Box 71, Craigmuir Chambers, Tortola, Road Town, 1110 (VG).

(71) Applicant (for CA only): SCHLUMBERGER CANADA LIMITED [CA/CA]; 525-3rd Avenue Southwest, Calgary, Alberta T2P-0G4 (CA).

(71) Applicant (for all designated States except AU, CA, CO, CZ, DE, DK, FR, GB, GR, HU, ID, IE, IL, IT, KR, LT, MX, MY, NL, NO, NZ, OM, PL, QA, RO, SI, TN, TR, TT, US, UZ, ZA): PRAD RESEARCH AND DEVELOPMENT LIMITED; P.O. Box 71, Craigmuir Chambers, Tortola, Road Town, 1110 (VG).

(71) Applicant (for IS only): SCHLUMBERGER TECHNOLOGY CORPORATION [US/US]; 300 Schlumberger Drive, Sugar Land, Texas 77478 (US).

[Continued on next page]

(54) Title: METHODS AND APPARATUS FOR DETERMINING DOWNHOLE PARAMETERS

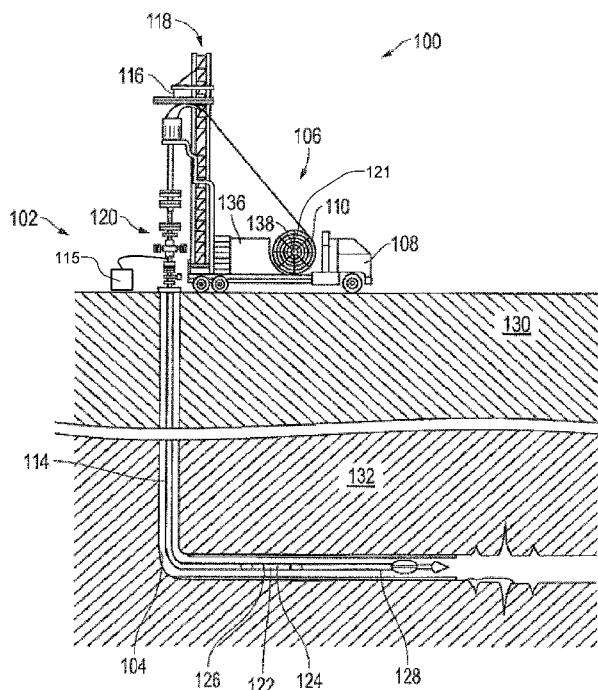


FIG. 1A

(57) Abstract: Example methods and apparatus for determining downhole parameters are disclosed herein. An example method includes pumping a fluid in a first direction to substantially fill a first area of a fluid flow passageway with the fluid and determining a fluid parameter via a sensor disposed in a second area adjacent the first area. The sensor includes a heater and a temperature sensor. The example method also includes determining if the first fluid has flowed in a second direction into the second area based on the fluid parameter.



**(72) Inventors; and**

(75) Inventors/Applicants (for US only): **ADIL, Abdur Rahman** [PK/PK]; 7-C, 7th East Street, Phase 1, Defense Housing Authority, Karachi, Sindh (PK). **BORISOVA, Elena** [RU/FR]; 8, Rue Littre, F-75006 Paris (FR). **MOSCATO, Tullio** [IT/FR]; 42 Rue Liancourt, F-75014 Paris (FR). **BURGOS, Rex** [US/US]; 21314 Shawnee Park Drive, Richmond, Texas 77406 (US). **DAVILA DE GARATE, Luis Eugenio** [MX/MX]; Paseo Usumacinta #1013, Int. 8, Colonia Lindavista, Tabasco, Villahermosa, C.P. 86050 (MX).

(74) Agents: **ABRELL, Matthias** et al.; Schlumberger IP-Administration, 10001 Richmond Avenue, 4th Floor, Houston, Texas 77042 (US).

(81) Designated States (unless otherwise indicated, for every kind of national protection available): AE, AG, AL, AM, AO, AT, AU, AZ, BA, BB, BG, BH, BR, BW, BY, BZ, CA, CH, CL, CN, CO, CR, CU, CZ, DE, DK, DM, DO, DZ, EC, EE, EG, ES, FI, GB, GD, GE, GH, GM, GT, HN, HR, HU, ID, IL, IN, IS, JP, KE, KG, KM, KN, KP, KR, KZ, LA, LC, LK, LR, LS, LT, LU, LY, MA, MD, ME, MG, MK, MN, MW, MX, MY, MZ, NA, NG, NI,

NO, NZ, OM, PE, PG, PH, PL, PT, QA, RO, RS, RU, RW, SC, SD, SE, SG, SK, SL, SM, ST, SV, SY, TH, TJ, TM, TN, TR, TT, TZ, UA, UG, US, UZ, VC, VN, ZA, ZM, ZW.

(84) Designated States (unless otherwise indicated, for every kind of regional protection available): ARIPO (BW, GH, GM, KE, LR, LS, MW, MZ, NA, RW, SD, SL, SZ, TZ, UG, ZM, ZW), Eurasian (AM, AZ, BY, KG, KZ, RU, TJ, TM), European (AL, AT, BE, BG, CH, CY, CZ, DE, DK, EE, ES, FI, FR, GB, GR, HR, HU, IE, IS, IT, LT, LU, LV, MC, MK, MT, NL, NO, PL, PT, RO, RS, SE, SI, SK, SM, TR), OAPI (BF, BJ, CF, CG, CI, CM, GA, GN, GQ, GW, ML, MR, NE, SN, TD, TG).

Published:

- with international search report (Art. 21(3))
- before the expiration of the time limit for amending the claims and to be republished in the event of receipt of amendments (Rule 48.2(h))

(88) Date of publication of the international search report:
19 December 2013

INTERNATIONAL SEARCH REPORT

International application No PCT/US2012/042132

A. CLASSIFICATION OF SUBJECT MATTER INV. E21B47/00 ADD.		
According to International Patent Classification (IPC) or to both national classification and IPC		
B. FIELDS SEARCHED		
Minimum documentation searched (classification system followed by classification symbols) E21B		
Documentation searched other than minimum documentation to the extent that such documents are included in the fields searched		
Electronic data base consulted during the international search (name of data base and, where practicable, search terms used) EPO-Internal, WPI Data		
C. DOCUMENTS CONSIDERED TO BE RELEVANT		
Category*	Citation of document, with indication, where appropriate, of the relevant passages	Relevant to claim No.
X	US 2010/228502 A1 (ATHERTON ERIC [GB]) 9 September 2010 (2010-09-09) abstract pages 1-3 paragraphs [0002], [0023], [0045] paragraphs [0014], [0017] claims 1,4,5 -----	1,2,5, 7-9,14, 15,18
X	US 5 965 813 A (WAN YUE-MIN [TW] ET AL) 12 October 1999 (1999-10-12)	1
Y	abstract column 3, paragraph 2-3; claim 1 -----	1,2,4-8
Y	US 2004/104045 A1 (LAROVERE THOMAS A [US]) 3 June 2004 (2004-06-03) abstract paragraphs [0076], [0077], [0081], [0083] -----	1,2,4-8
<input type="checkbox"/> Further documents are listed in the continuation of Box C. <input checked="" type="checkbox"/> See patent family annex.		
* Special categories of cited documents :		
"A" document defining the general state of the art which is not considered to be of particular relevance "E" earlier application or patent but published on or after the international filing date "L" document which may throw doubts on priority claim(s) or which is cited to establish the publication date of another citation or other special reason (as specified) "O" document referring to an oral disclosure, use, exhibition or other means "P" document published prior to the international filing date but later than the priority date claimed	"T" later document published after the international filing date or priority date and not in conflict with the application but cited to understand the principle or theory underlying the invention "X" document of particular relevance; the claimed invention cannot be considered novel or cannot be considered to involve an inventive step when the document is taken alone "Y" document of particular relevance; the claimed invention cannot be considered to involve an inventive step when the document is combined with one or more other such documents, such combination being obvious to a person skilled in the art "&" document member of the same patent family	
Date of the actual completion of the international search	Date of mailing of the international search report	
21 October 2013	31/10/2013	
Name and mailing address of the ISA/ European Patent Office, P.B. 5818 Patentlaan 2 NL - 2280 HV Rijswijk Tel. (+31-70) 340-2040, Fax: (+31-70) 340-3016	Authorized officer Wehland, Florian	

INTERNATIONAL SEARCH REPORT

Information on patent family members

International application No

PCT/US2012/042132

Patent document cited in search report	Publication date	Patent family member(s)	Publication date
US 2010228502	A1	09-09-2010	CA 2754486 A1 10-09-2010
			GB 2480186 A 09-11-2011
			US 2010228502 A1 09-09-2010
			WO 2010102006 A2 10-09-2010

US 5965813	A	12-10-1999	NONE

US 2004104045	A1	03-06-2004	US 2004104045 A1 03-06-2004
			US 2005274521 A1 15-12-2005
