

(19) World Intellectual Property Organization
International Bureau



(43) International Publication Date
17 January 2008 (17.01.2008)

PCT

(10) International Publication Number
WO 2008/008174 A3

(51) International Patent Classification:
F16L 23/00 (2006.01)

Michael S. [US/US]; 3901 Village Lane, Roswell, Georgia 30075 (US).

(21) International Application Number:
PCT/US2007/014805

(74) Agent: **CHIONCHIO, John A.**; Synnestvedt & Lechner LLP, 26th Floor, 1101 Market Street, Philadelphia, Pennsylvania 19107-2950 (US).

(22) International Filing Date: 26 June 2007 (26.06.2007)

(25) Filing Language: English

(26) Publication Language: English

(30) Priority Data:
11/485,921 13 July 2006 (13.07.2006) US

(81) Designated States (unless otherwise indicated, for every kind of national protection available): AE, AG, AL, AM, AT, AU, AZ, BA, BB, BG, BH, BR, BW, BY, BZ, CA, CH, CN, CO, CR, CU, CZ, DE, DK, DM, DO, DZ, EC, EE, EG, ES, FI, GB, GD, GE, GH, GM, GT, HN, HR, HU, ID, IL, IN, IS, JP, KE, KG, KM, KN, KP, KR, KZ, LA, LC, LK, LR, LS, LT, LU, LY, MA, MD, ME, MG, MK, MN, MW, MX, MY, MZ, NA, NG, NI, NO, NZ, OM, PG, PH, PL, PT, RO, RS, RU, SC, SD, SE, SG, SK, SL, SM, SV, SY, TJ, TM, TN, TR, TT, TZ, UA, UG, US, UZ, VC, VN, ZA, ZM, ZW.

(71) Applicant (for all designated States except US): **VICTAULIC COMPANY** [US/US]; 4901 Kesslersville Road, Easton, Pennsylvania 18040 (US).

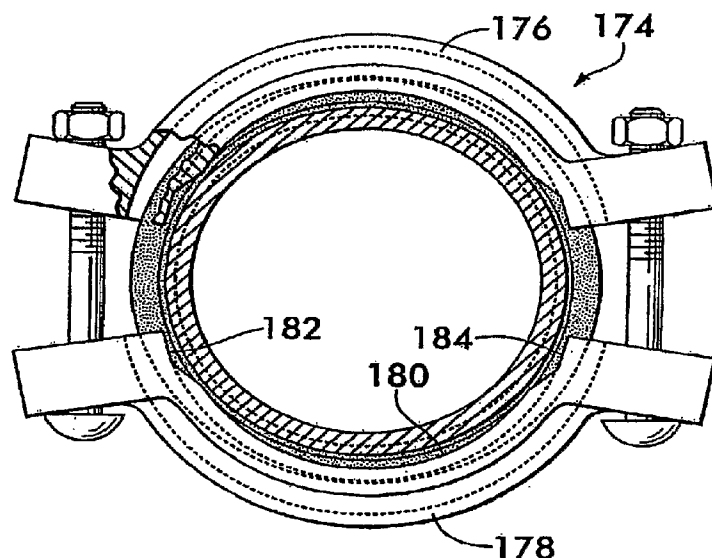
(72) Inventors; and

(84) Designated States (unless otherwise indicated, for every kind of regional protection available): ARIPO (BW, GH, GM, KE, LS, MW, MZ, NA, SD, SL, SZ, TZ, UG, ZM, ZW), Eurasian (AM, AZ, BY, KG, KZ, MD, RU, TJ, TM), European (AT, BE, BG, CH, CY, CZ, DE, DK, EE, ES, FI,

(75) Inventors/Applicants (for US only): **GIBB, John** [CA/CA]; 24 Coburn Crescent, Beeton, Ontario L0G 1A0 (CA). **DOLE, Douglas R.** [US/US]; 9 Minsi Road, Whitehouse Station, New Jersey 08889 (US). **PIGOTT,**

[Continued on next page]

(54) Title: DEFORMABLE MECHANICAL PIPE COUPLING



(57) Abstract: A deformable mechanical pipe coupling is disclosed. The coupling has a plurality of interconnectable segments that straddle the ends of pipe elements to be joined. The segments have arcuate surfaces that engage outer surfaces of the pipe elements. The outer surfaces subtend an angle of less than 180° and have radii of curvature greater than the radii of curvature of the pipe element outer surfaces. The segments have adjustably tightenable connection members for connecting the segments to one another. When the connection members are tightened, the arcuate surfaces deform and conform to the radius of curvature of the outer surface of the pipe elements.

WO 2008/008174 A3



FR, GB, GR, HU, IE, IS, IT, LT, LU, LV, MC, MT, NL, PL,
PT, RO, SE, SI, SK, TR), OAPI (BF, BJ, CF, CG, CI, CM,
GA, GN, GQ, GW, ML, MR, NE, SN, TD, TG).

Published:

- *with international search report*
- *before the expiration of the time limit for amending the claims and to be republished in the event of receipt of amendments*

Declaration under Rule 4.17:

- *of inventorship (Rule 4.17(iv))*

(88) Date of publication of the international search report:

27 March 2008

INTERNATIONAL SEARCH REPORT

International application No.

PCT/US07/14805

A. CLASSIFICATION OF SUBJECT MATTER

IPC: **F16L 23/00(2006.01)**

USPC: 285/413,411

According to International Patent Classification (IPC) or to both national classification and IPC

B. FIELDS SEARCHED

Minimum documentation searched (classification system followed by classification symbols)
U.S. : 285/413, 411, 111, 110, 112, 364, 420

Documentation searched other than minimum documentation to the extent that such documents are included in the fields searched

Electronic data base consulted during the international search (name of data base and, where practicable, search terms used)

C. DOCUMENTS CONSIDERED TO BE RELEVANT

Category *	Citation of document, with indication, where appropriate, of the relevant passages	Relevant to claim No.
Y	US 5,058,931 A (BOWSHER) 22 October 1991 (22.10.1991), fig. 2	15-16,39
Y	US 5,018,548 A (McLENNAN) 28 May 1991 (28.05.1991), figs. 1-12	17,40-41
Y	US 4,722,561 A (HECKETHORN et al) 02 February 1988 (02.02.1988), Fig. 1	48
X	US 4,522,434 A (WEBB) 11 June 1985 (11.06.1985), figs. 1-14	1-6,8-9,11-14,21-30,34-38,42-47,50-51

Y		7,10,15-20,31-32,39-41,48-49
Y	US 4,403,378 A (ENGMAN) 13 September 1983 (13.09.1983), figs. 1-3	7,18-20,31-32

Further documents are listed in the continuation of Box C. See patent family annex.

* Special categories of cited documents:	"I" later document published after the international filing date or priority date and not in conflict with the application but cited to understand the principle or theory underlying the invention
"A" document defining the general state of the art which is not considered to be of particular relevance	"X" document of particular relevance; the claimed invention cannot be considered novel or cannot be considered to involve an inventive step when the document is taken alone
"E" earlier application or patent published on or after the international filing date	"Y" document of particular relevance; the claimed invention cannot be considered to involve an inventive step when the document is combined with one or more other such documents, such combination being obvious to a person skilled in the art
"L" document which may throw doubts on priority claim(s) or which is cited to establish the publication date of another citation or other special reason (as specified)	"&" document member of the same patent family
"O" document referring to an oral disclosure, use, exhibition or other means	
"P" document published prior to the international filing date but later than the priority date claimed	

Date of the actual completion of the international search: 05 January 2008 (05.01.2008) Date of mailing of the international search report: **25 JAN 2008**

Name and mailing address of the ISA/US: Mail Stop PCT, Attn: ISA/US, Commissioner for Patents, P.O. Box 1450, Alexandria, Virginia 22313-1450, Facsimile No. (571) 273-3201
 Authorized officer: David E. Bochna (with signature), Telephone No. (571) 272-5150

INTERNATIONAL SEARCH REPORT

International application No.
PCT/US07/14805

C. (Continuation) DOCUMENTS CONSIDERED TO BE RELEVANT		
Category *	Citation of document, with indication, where appropriate, of the relevant passages	Relevant to claim No.
Y	US 3,977,705 A (THIESSEN et al) 31 August 1976 (31.08.1976), figs. 1-11.	10,33,49