



US00D771951S

(12) **United States Design Patent** (10) **Patent No.:** **US D771,951 S**  
**Reishus et al.** (45) **Date of Patent:** **\*\* Nov. 22, 2016**

(54) **POWERED BRUSH HANDLE WITH BRUSH, CHARGER, AND CAP**

(71) Applicant: **L'Oréal USA Creative, Inc.**, New York, NY (US)

(72) Inventors: **Richard Allen Reishus**, Renton, WA (US); **Joel Timothy Aragon**, Snohomish, WA (US); **Suk Ping Wong**, Sammamish, WA (US); **Richard Hanks**, Seattle, WA (US); **Adam Weisgerber**, Kirkland, WA (US); **Michele Snyder**, Redmond, WA (US); **Patrick Jones**, Redmond, WA (US); **Lisa Nguyen**, Redmond, WA (US); **Joseph E. Skidmore**, Issaquah, WA (US)

(73) Assignee: **L'Oréal USA Creative, Inc.**, New York, NY (US)

(\*\*) Term: **15 Years**

(21) Appl. No.: **29/543,845**

(22) Filed: **Oct. 28, 2015**

**Related U.S. Application Data**

(62) Division of application No. 29/489,072, filed on Apr. 25, 2014, now Pat. No. Des. 744,755.

(51) **LOC (10) Cl.** ..... **04-02**

(52) **U.S. Cl.**

USPC ..... **D4/100**

(58) **Field of Classification Search**

USPC ..... D4/127, 128, 130, 132-135; D24/152, D24/176; 15/167.1-167.2; 32/308-311; D13/107, 108

CPC ..... A45D 44/18; A46B 5/0095; A46B 15/0055; A46B 15/0071; A46B 15/0081; A46B 15/0087; A46B 17/04; A46B 2200/1066; A46D 1/10; A61C 15/048; A61C 17/34; A61C 17/222

See application file for complete search history.

(56) **References Cited**

U.S. PATENT DOCUMENTS

D136,952 S 1/1944 Getgey  
D226,941 S 5/1973 Benty

(Continued)

OTHER PUBLICATIONS

"NutraSonic Comet Facial Beauty Tool Set: White," NutraLuxe MD®, Fort Myers, Fla., <<http://www.nutraluxemd.com/nutrasonic-comet-facial-beauty-tool-set-white/>>, as early as May 2009, 3 pages.

(Continued)

*Primary Examiner* — Keli L Hill

(74) *Attorney, Agent, or Firm* — Christensen O'Connor Johnson Kindness PLLC

(57) **CLAIM**

The ornamental design for a powered brush handle, brush, charger, and cap, as shown and described.

**DESCRIPTION**

FIG. 1 is a top front right perspective view of a powered brush handle, brush, charger, and cap in accordance with our new design;

FIG. 2 is a front elevation view thereof;

FIG. 3 is a rear elevation view thereof;

FIG. 4 is a top plan view thereof;

FIG. 5 is a bottom plan view thereof;

FIG. 6 is a left side elevation view thereof;

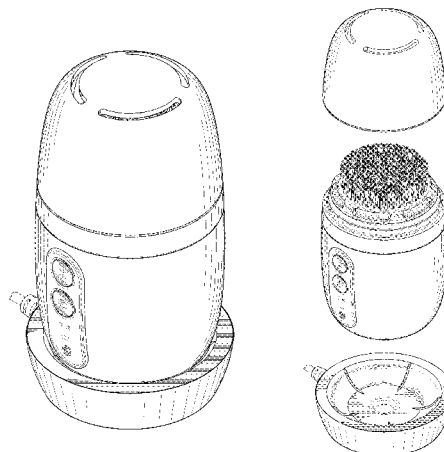
FIG. 7 is a right side elevation view thereof;

FIG. 8 is a top front right perspective view thereof with the cap removed for convenience; and,

FIG. 9 is an exploded top front right perspective view thereof.

The broken lines immediately adjacent the shaded areas represent the bounds of the claimed design while all other broken lines are included for the purpose of illustrating portions of the powered brush handle with brush, charger and cap; the broken lines form no part of the claimed design.

**1 Claim, 8 Drawing Sheets**



(56)

**References Cited**

U.S. PATENT DOCUMENTS

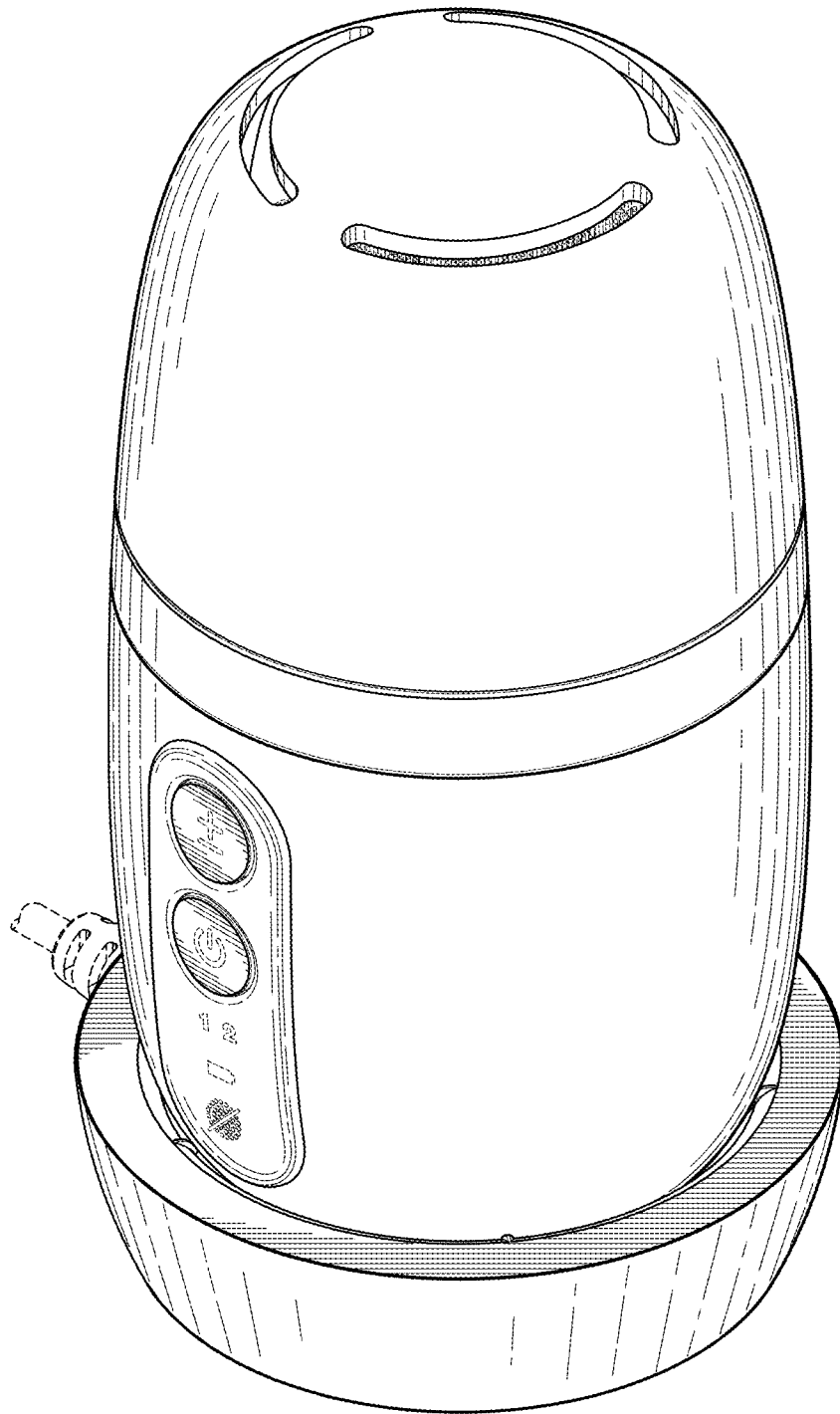
D303,761 S	10/1989	Desgrippes
D307,216 S	4/1990	Yuen
D372,129 S	7/1996	Chesnut
D439,052 S	3/2001	Hay
D445,032 S	7/2001	Hammer
D512,567 S	12/2005	Eckhardt
D524,730 S	7/2006	Vu
D532,935 S	11/2006	Kostow
D539,480 S	3/2007	Kostow
D541,049 S	4/2007	Huang
D549,964 S	9/2007	Roth
D679,502 S	4/2013	Itano
D681,957 S	5/2013	Cavazos Jiminez
D715,555 S	10/2014	Hosler

D715,558 S	10/2014	Brewer	
D728,241 S	5/2015	Helmbold	
D728,943 S	* 5/2015	Carpentier	..... D4/102
D733,967 S	7/2015	Schlatter	
D734,949 S	7/2015	Behnam	
D735,133 S	7/2015	Reishus	
D739,145 S	9/2015	von Berg	
2005/0278876 A1	12/2005	Roth	

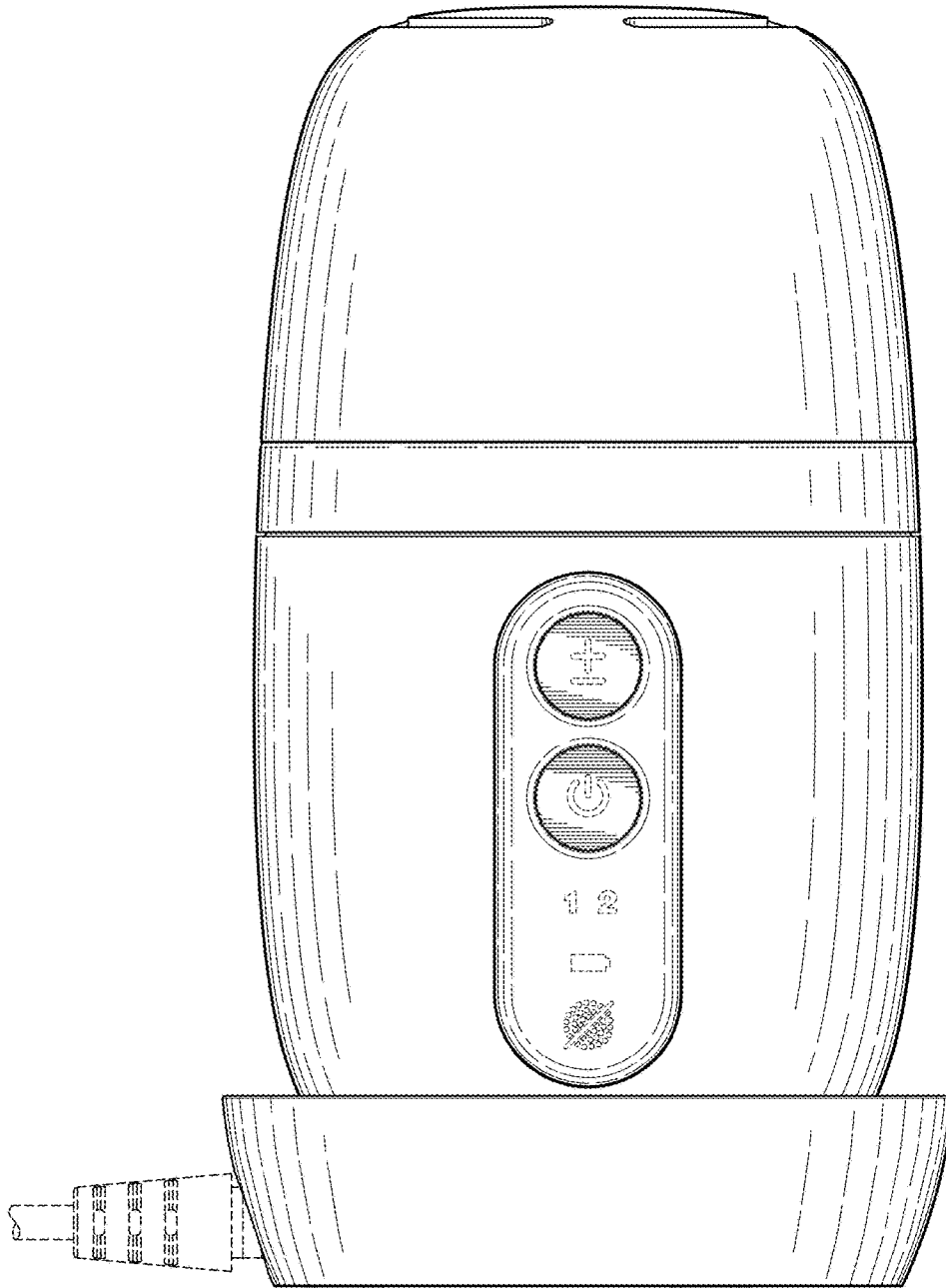
OTHER PUBLICATIONS

“Skin Optimizing Platforms™,” Elizabeth Arden, Inc., marketing materials, 72nd Annual Meeting of the American Academy of Dermatology, Denver, CO, Mar. 21-25, 2014, 2 pages.

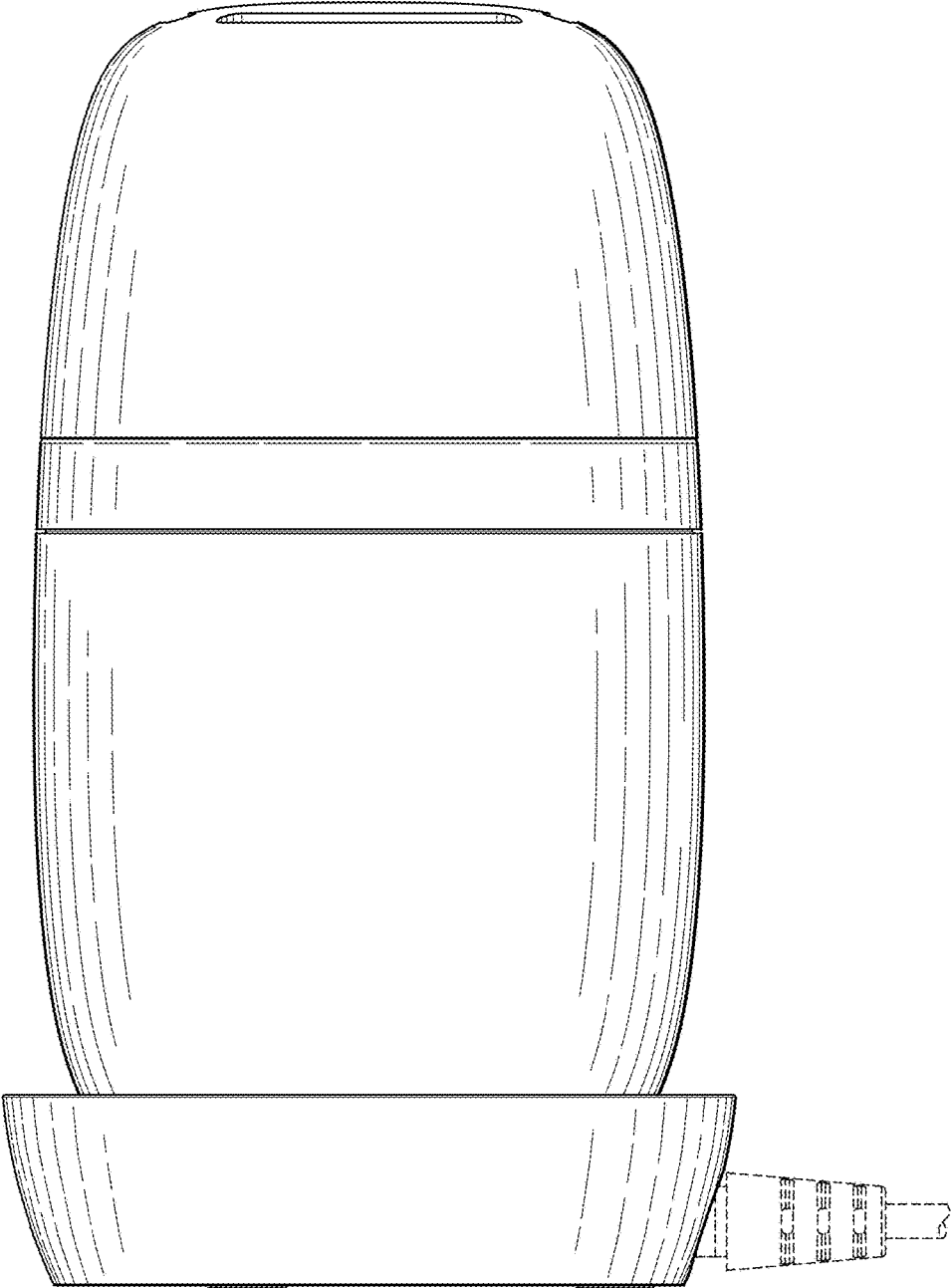
\* cited by examiner



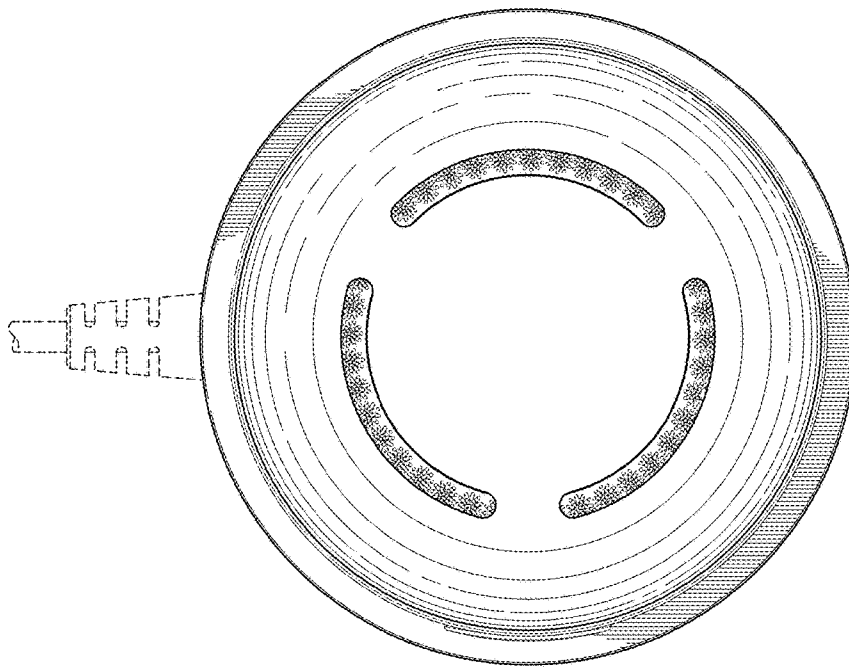
*Fig. 1.*



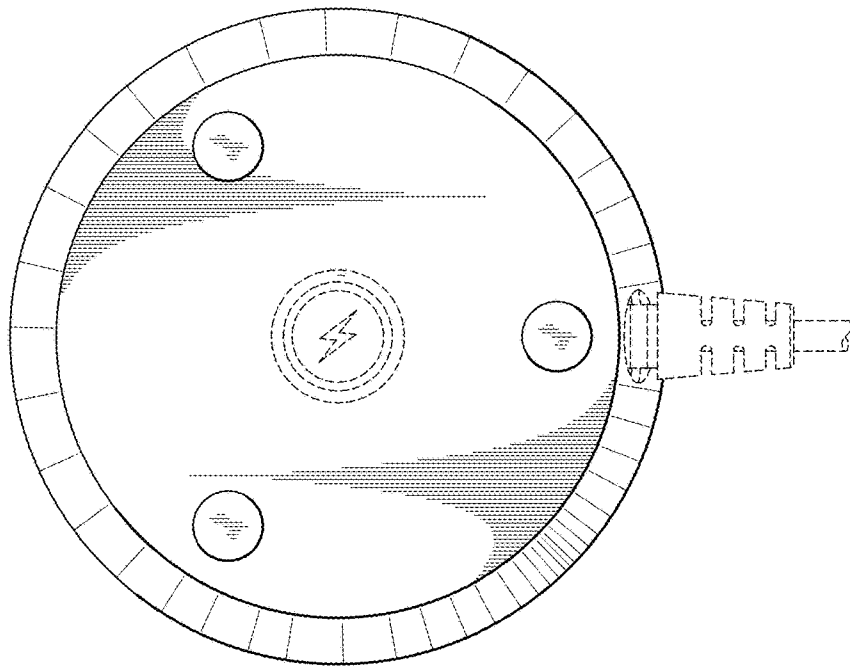
*Fig. 2.*



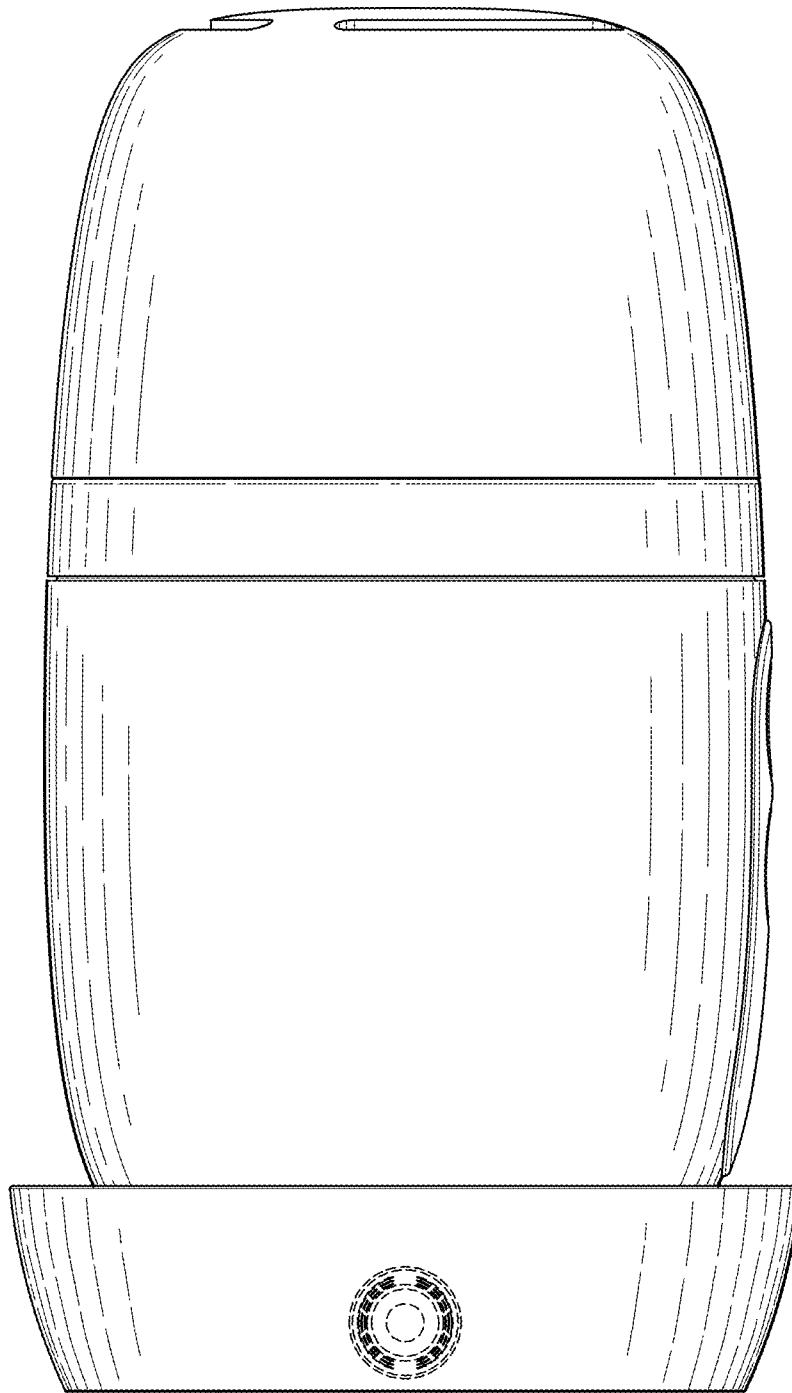
*Fig. 3.*



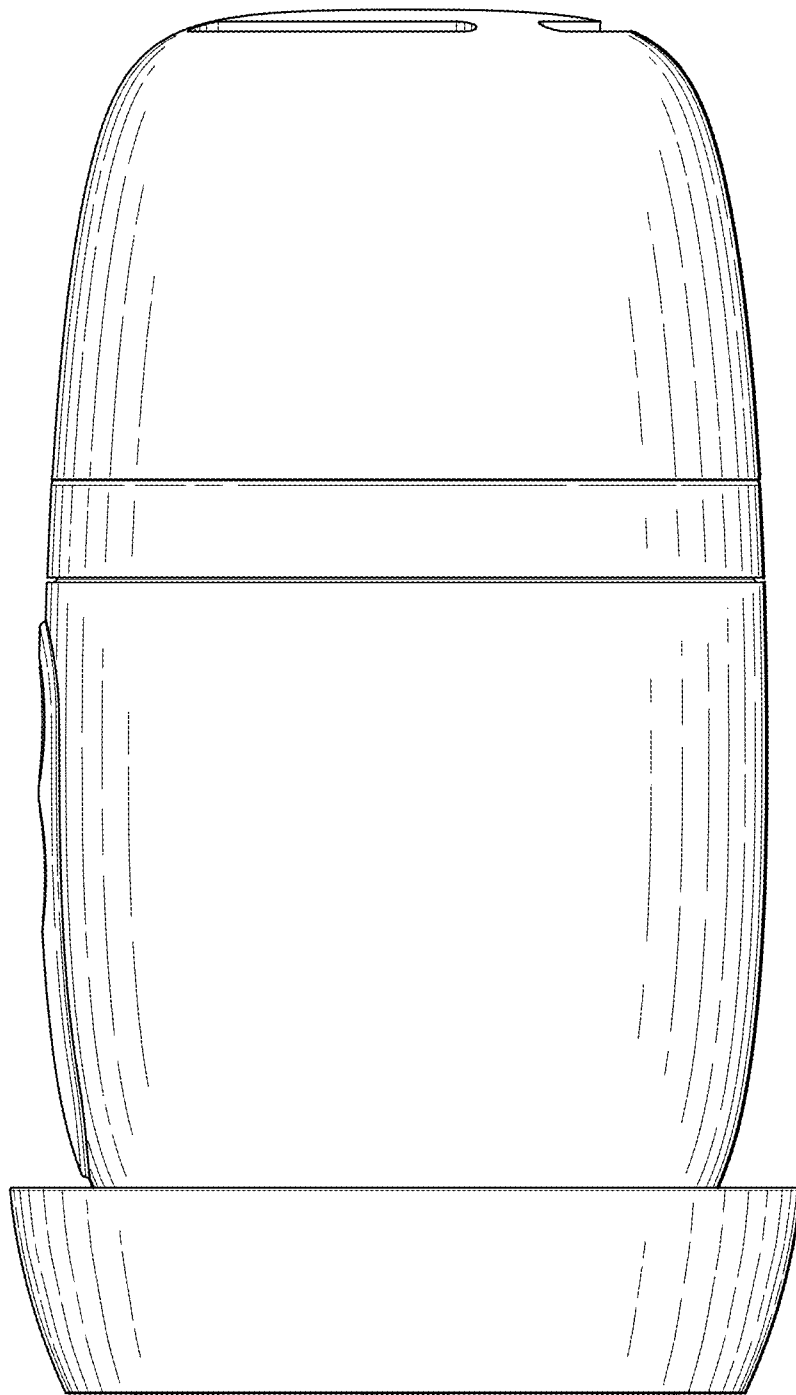
*Fig. 4.*



*Fig. 5.*

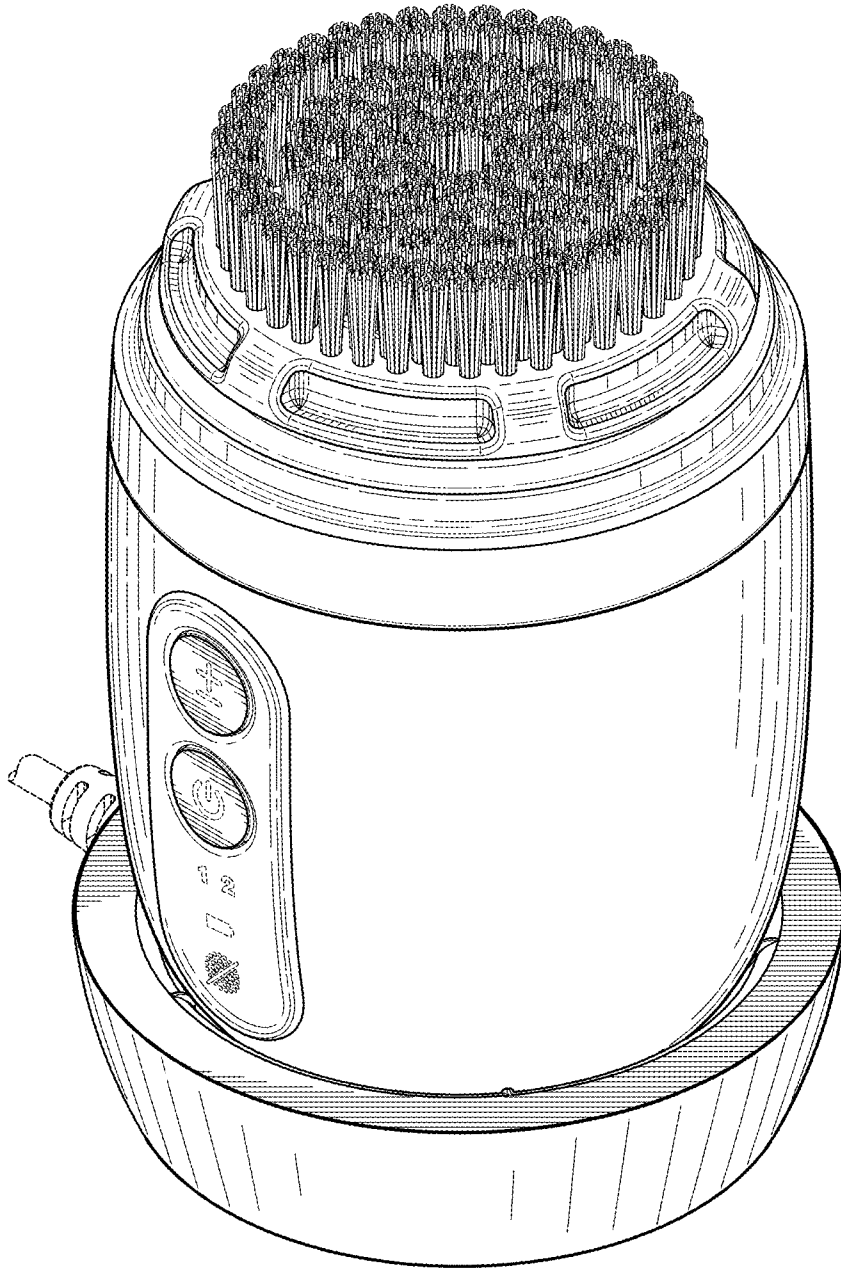


*Fig. 6.*

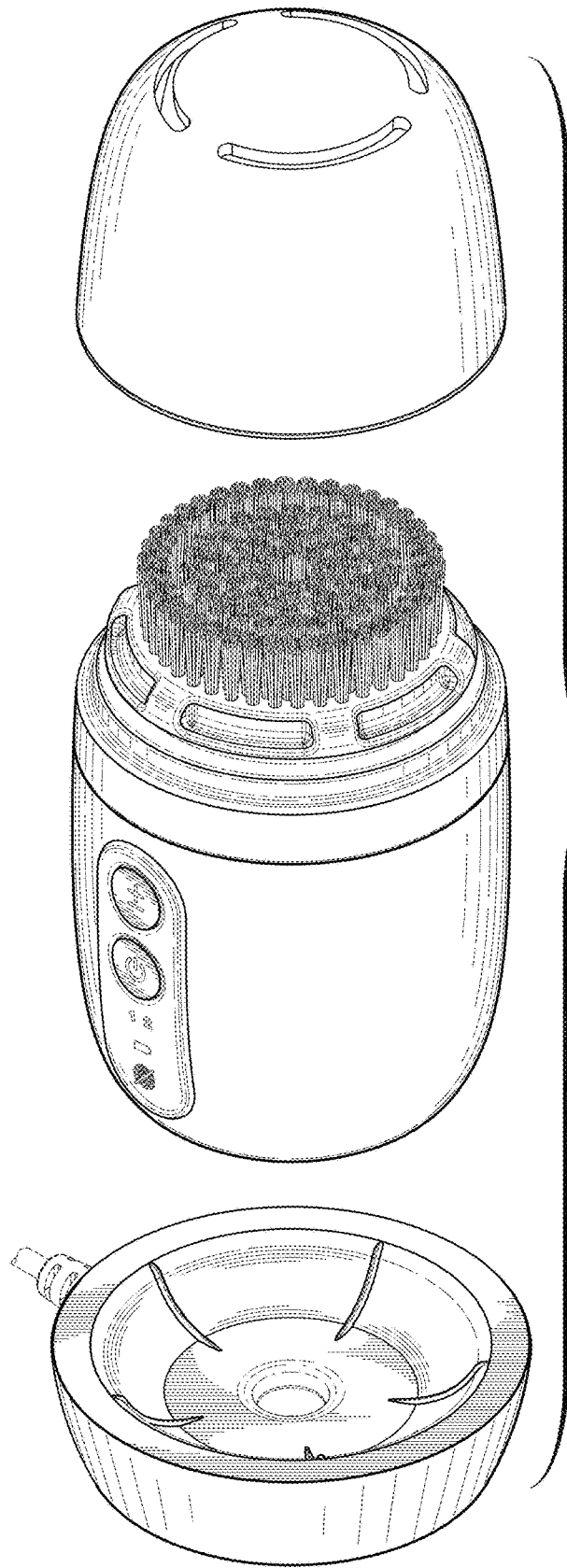


*Fig. 7.*





*Fig. 8.*



*Fig. 9.*