



(51) International Patent Classification:

<i>B60L 11/18</i> (2006.01)	<i>B60L 1/02</i> (2006.01)
<i>B60H 1/00</i> (2006.01)	<i>B60L 1/04</i> (2006.01)
<i>H01M 10/50</i> (2006.01)	<i>B60L 3/00</i> (2006.01)
<i>H02J 7/02</i> (2006.01)	<i>B60L 3/04</i> (2006.01)
<i>H02J 5/00</i> (2006.01)	<i>B60L 11/14</i> (2006.01)
<i>B60L 1/00</i> (2006.01)	<i>B60H 1/22</i> (2006.01)

(21) International Application Number:

PCT/EP2013/056603

(22) International Filing Date:

27 March 2013 (27.03.2013)

(25) Filing Language:

English

(26) Publication Language:

English

(30) Priority Data:

1205447.4 28 March 2012 (28.03.2012) GB

(71) Applicant: JAGUAR LAND ROVER LIMITED

[GB/GB]; Abbey Road, Whitley, Whitley, Coventry Warwickshire CV3 4LF (GB).

(72) Inventors: WHITE, David; c/o Jaguar Land Rover, Patents Department W/1/073, Abbey Road, Whitley, Coventry Warwickshire CV3 4LF (GB). GREENWOOD, Jeremy; c/o Jaguar Land Rover, Patents Department W/1/073, Abbey Road, Whitley, Coventry Warwickshire CV3 4LF (GB). CLARKE, Chris; c/o Jaguar Land Rover, Patents

Department W/1/073, Abbey Road, Whitley, Coventry Warwickshire CV3 4LF (GB). **PARKINS, Richard**; c/o Jaguar Land Rover, Patents Department W/1/073, Abbey Road, Whitley, Coventry Warwickshire CV3 4LF (GB).

(74) Agent: **HOLMES, Matthew**; Jaguar Land Rover, Patents Department W /1/073, Abbey Road, Whitley, Coventry Warwickshire CV3 4LF (GB).

(81) Designated States (unless otherwise indicated, for every kind of national protection available): AE, AG, AL, AM, AO, AT, AU, AZ, BA, BB, BG, BH, BN, BR, BW, BY, BZ, CA, CH, CL, CN, CO, CR, CU, CZ, DE, DK, DM, DO, DZ, EC, EE, EG, ES, FI, GB, GD, GE, GH, GM, GT, HN, HR, HU, ID, IL, IN, IS, JP, KE, KG, KM, KN, KP, KR, KZ, LA, LC, LK, LR, LS, LT, LU, LY, MA, MD, ME, MG, MK, MN, MW, MX, MY, MZ, NA, NG, NI, NO, NZ, OM, PA, PE, PG, PH, PL, PT, QA, RO, RS, RU, RW, SC, SD, SE, SG, SK, SL, SM, ST, SV, SY, TH, TJ, TM, TN, TR, TT, TZ, UA, UG, US, UZ, VC, VN, ZA, ZM, ZW.

(84) Designated States (unless otherwise indicated, for every kind of regional protection available): ARIPO (BW, GH, GM, KE, LR, LS, MW, MZ, NA, RW, SD, SL, SZ, TZ, UG, ZM, ZW), Eurasian (AM, AZ, BY, KG, KZ, RU, TJ, TM), European (AL, AT, BE, BG, CH, CY, CZ, DE, DK, EE, ES, FI, FR, GB, GR, HR, HU, IE, IS, IT, LT, LU, LV, MC, MK, MT, NL, NO, PL, PT, RO, RS, SE, SI, SK, SM,

[Continued on next page]

(54) Title: VEHICLE WITH WIRELESSLY POWERED DEVICE

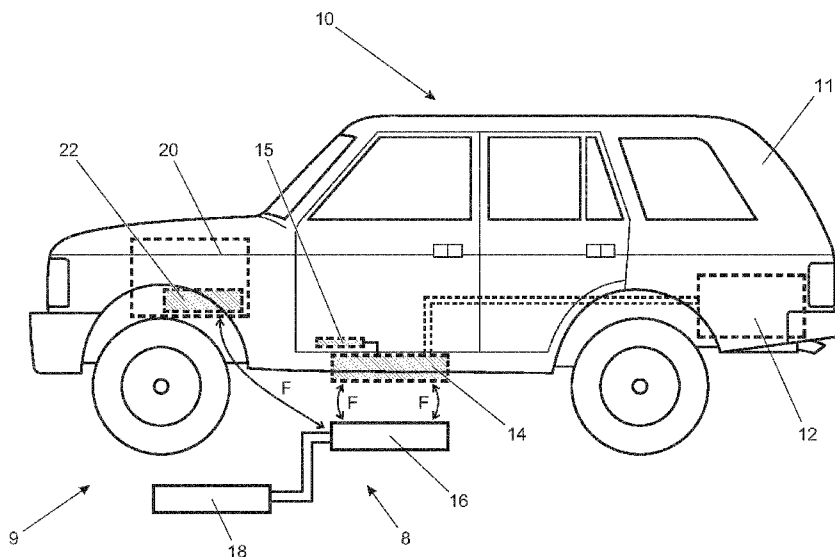


Figure 1

(57) Abstract: A vehicle having a wirelessly powered electrical device, a secondary inductive receiver is provided for drawing electrical power from a base station; whilst a primary inductive receiver is aligned with an inductive transmitter of the base station.

WO 2013/144250 A3



TR), OAPI (BF, BJ, CF, CG, CI, CM, GA, GN, GQ, GW, ML, MR, NE, SN, TD, TG).

— *before the expiration of the time limit for amending the claims and to be republished in the event of receipt of amendments (Rule 48.2(h))*

Published:

— *with international search report (Art. 21(3))*

(88) Date of publication of the international search report:
23 January 2014

INTERNATIONAL SEARCH REPORT

International application No
PCT/EP2013/056603

A. CLASSIFICATION OF SUBJECT MATTER					
INV.	B60L11/18	B60H1/00	H01M10/50	H02J7/02	H02J5/00
	B60L1/00	B60L1/02	B60L1/04	B60L3/00	B60L3/04
	B60L11/14	B60H1/22			

According to International Patent Classification (IPC) or to both national classification and IPC

B. FIELDS SEARCHED
Minimum documentation searched (classification system followed by classification symbols) B60L B60H H01M H02J

Documentation searched other than minimum documentation to the extent that such documents are included in the fields searched

Electronic data base consulted during the international search (name of data base and, where practicable, search terms used)
EPO-Internal, WPI Data

C. DOCUMENTS CONSIDERED TO BE RELEVANT

Category*	Citation of document, with indication, where appropriate, of the relevant passages	Relevant to claim No.
X	US 2011/084658 A1 (YAMAMOTO HIROSHI [JP] ET AL) 14 April 2011 (2011-04-14)	19-23
Y	abstract; claims 1-21; figures 1-5 page 2, paragraph 33 - page 6, paragraph 80	1-18
Y	----- US 2002/117368 A1 (OGASAWARA KAZUYOSHI [JP]) 29 August 2002 (2002-08-29) abstract; claims 1-3; figures 1,2 page 2, paragraph 28 - page 4, paragraph 46	1-18
A	----- DE 10 2007 004200 A1 (LINDE MATERIAL HANDLING GMBH [DE]) 31 July 2008 (2008-07-31) abstract; claims 1-7; figures 1-4 page 3 - page 4 ----- -/--	1-23

Further documents are listed in the continuation of Box C.

See patent family annex.

* Special categories of cited documents :

"A" document defining the general state of the art which is not considered to be of particular relevance

"E" earlier application or patent but published on or after the international filing date

"L" document which may throw doubts on priority claim(s) or which is cited to establish the publication date of another citation or other special reason (as specified)

"O" document referring to an oral disclosure, use, exhibition or other means

"P" document published prior to the international filing date but later than the priority date claimed

"T" later document published after the international filing date or priority date and not in conflict with the application but cited to understand the principle or theory underlying the invention

"X" document of particular relevance; the claimed invention cannot be considered novel or cannot be considered to involve an inventive step when the document is taken alone

"Y" document of particular relevance; the claimed invention cannot be considered to involve an inventive step when the document is combined with one or more other such documents, such combination being obvious to a person skilled in the art

"&" document member of the same patent family

Date of the actual completion of the international search 29 November 2013	Date of mailing of the international search report 10/12/2013
---	--

Name and mailing address of the ISA/ European Patent Office, P.B. 5818 Patentlaan 2 NL - 2280 HV Rijswijk Tel. (+31-70) 340-2040, Fax: (+31-70) 340-3016	Authorized officer Koutsorodis, Dafni
--	--

INTERNATIONAL SEARCH REPORT

International application No
PCT/EP2013/056603

C(Continuation). DOCUMENTS CONSIDERED TO BE RELEVANT		
Category*	Citation of document, with indication, where appropriate, of the relevant passages	Relevant to claim No.
A	US 2010/072946 A1 (SUGANO TOMIO [JP]) 25 March 2010 (2010-03-25) the whole document -----	1-23

INTERNATIONAL SEARCH REPORT

Information on patent family members

International application No

PCT/EP2013/056603

Patent document cited in search report	Publication date	Patent family member(s)	Publication date	
US 2011084658	A1	14-04-2011	CN 102481855 A	30-05-2012
			EP 2459410 A1	06-06-2012
			JP 2011087457 A	28-04-2011
			US 2011084658 A1	14-04-2011
			WO 2011046227 A2	21-04-2011

US 2002117368	A1	29-08-2002	DE 10208167 A1	26-09-2002
			JP 2002252937 A	06-09-2002
			US 2002117368 A1	29-08-2002

DE 102007004200	A1	31-07-2008	DE 102007004200 A1	31-07-2008
			FR 2911862 A1	01-08-2008

US 2010072946	A1	25-03-2010	CN 101657336 A	24-02-2010
			DE 112008000980 T5	25-02-2010
			US 2010072946 A1	25-03-2010
			WO 2008132782 A1	06-11-2008
