



US00D343254S

United States Patent [19]

[11] Patent Number: Des. 343,254

Miller et al.

[45] Date of Patent: ** Jan. 11, 1994

[54] TOP SURFACE OF A RAZOR HEAD

[75] Inventors: Gary F. Miller, Tewksbury; Chester F. Jacobson, Southboro, both of Mass.

[73] Assignee: The Gillette Company, Boston, Mass.

[**] Term: 14 Years

[21] Appl. No.: 590,068

[22] Filed: Sep. 28, 1990

[52] U.S. Cl. D28/47

[58] Field of Search 30/346.58, 346.59, 32, 30/34.2, 41.6, 48-52, 76, 77, 80, 81; D28/45-47

[56] References Cited

U.S. PATENT DOCUMENTS

D. 224,852	9/1972	Dorion, Jr.	D28/47
D. 290,050	5/1987	Jacobson	D28/47
D. 298,068	10/1988	Gilder	D28/47
3,815,233	6/1974	Carroll	30/346.58
4,551,916	11/1985	Jacobson	30/50
5,010,646	4/1991	Neamtu	30/50

FOREIGN PATENT DOCUMENTS

2092052 8/1982 United Kingdom 30/346.58

Primary Examiner—Bernard Ansher

Assistant Examiner—C. Tuttle

Attorney, Agent, or Firm—Fish & Richardson

[57] CLAIM

The ornamental design of top surface of a razor head, as shown and described.

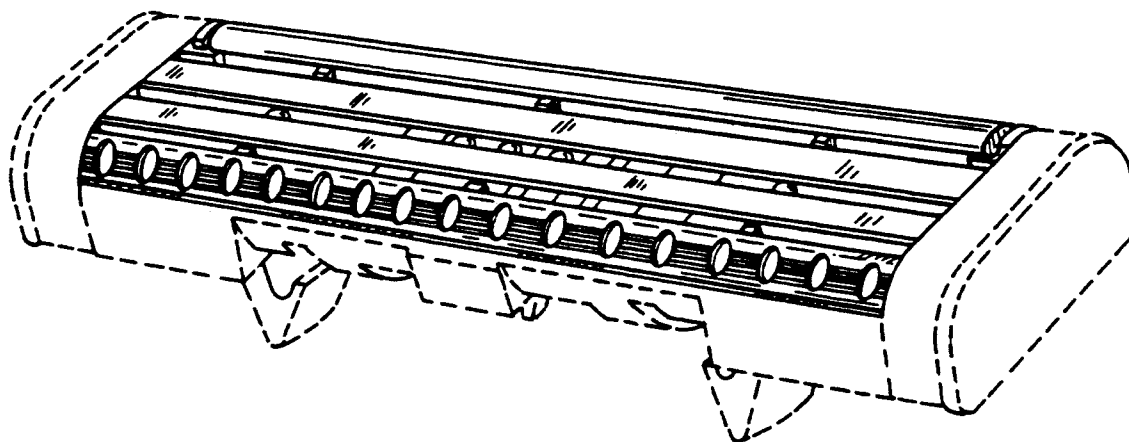
DESCRIPTION

FIG. 1 is a top view of top surface of a razor head embodying our new design (unclaimed environmental structure being shown in broken lines);

FIG. 2 is a front view thereof (unclaimed environmental structure being shown in broken lines);

FIG. 3 is a perspective view thereof (unclaimed environmental structure being shown in broken lines); and, FIG. 4 is a rear view thereof.

The broken line showing of razor coupling structure and end portions of the razor head is for illustrative purposes only and forms no part of the claimed design.



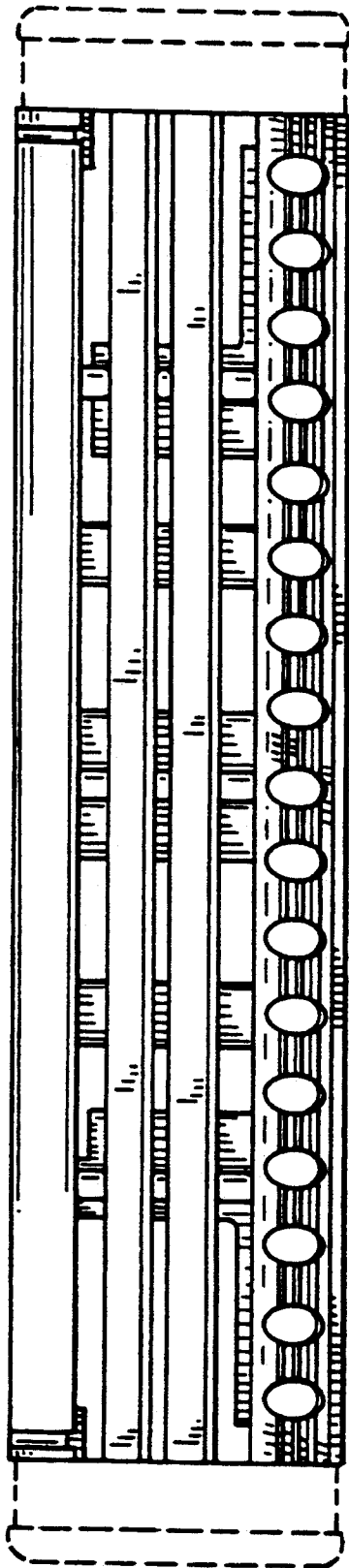


FIG. 1

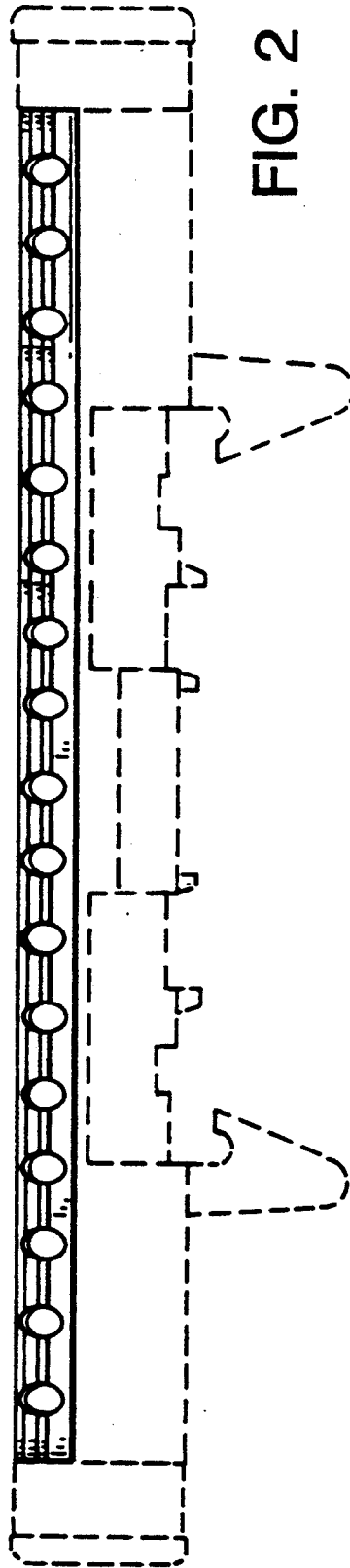


FIG. 2

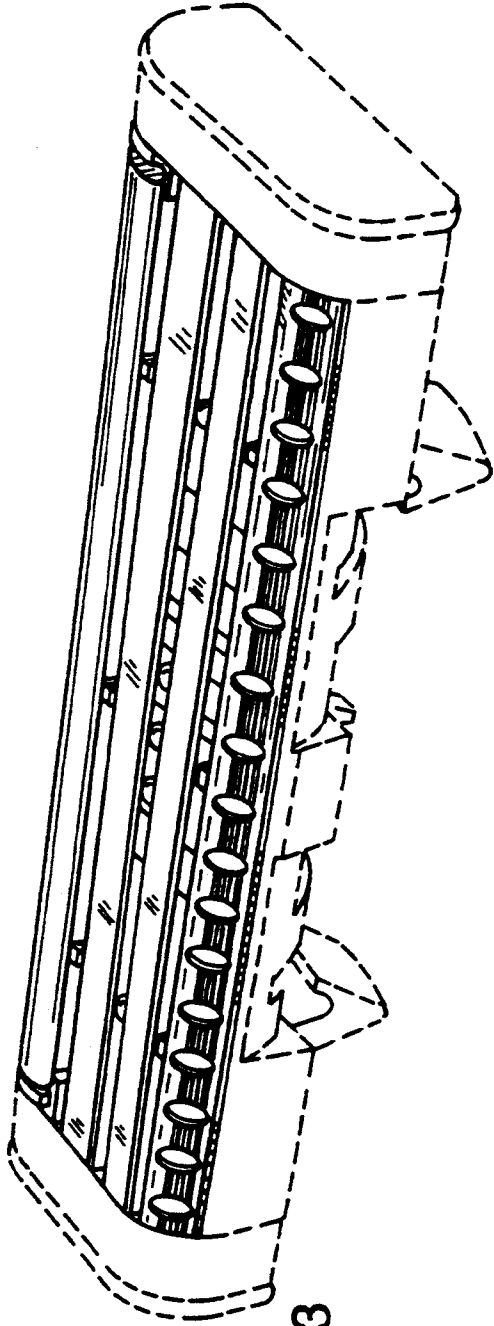


FIG. 3

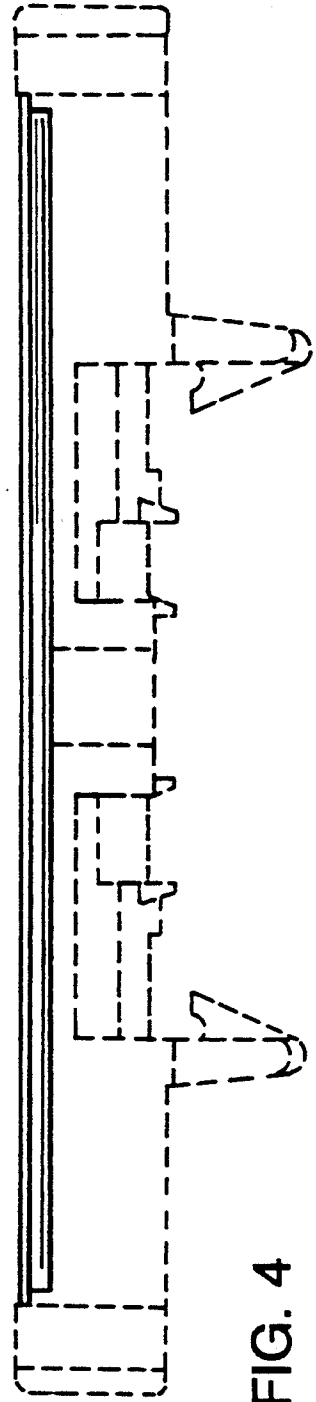


FIG. 4