



US00D690128S

(12) **United States Design Patent**
Cage

(10) **Patent No.:** **US D690,128 S**

(45) **Date of Patent:** **** Sep. 24, 2013**

(54) **SOAP HOLDER**

D369,263 S *	4/1996	Gregg	D6/540
D402,839 S *	12/1998	Bova et al.	D6/540
D536,540 S *	2/2007	Partridge	D6/332
D612,648 S *	3/2010	Guindi	D6/536

(71) Applicant: **James K. Cage**, Santa Ana, CA (US)

(72) Inventor: **James K. Cage**, Santa Ana, CA (US)

* cited by examiner

(**) Term: **14 Years**

Primary Examiner — Brian N Vinson

(21) Appl. No.: **29/435,727**

(74) *Attorney, Agent, or Firm* — Rutan & Tucker LLP; Hani Z. Sayed

(22) Filed: **Oct. 26, 2012**

(57) **CLAIM**

(51) **LOC (9) Cl.** **23-02**

The ornamental design for soap holder, as shown and described.

(52) **U.S. Cl.**

USPC **D6/540**

(58) **Field of Classification Search**

USPC D6/529, 536-540, 332; D7/502,
D7/550, 554.2, 560; 206/77.1, 557, 587,
206/823; 211/13.1, 87; D9/682, 690, 692
See application file for complete search history.

DESCRIPTION

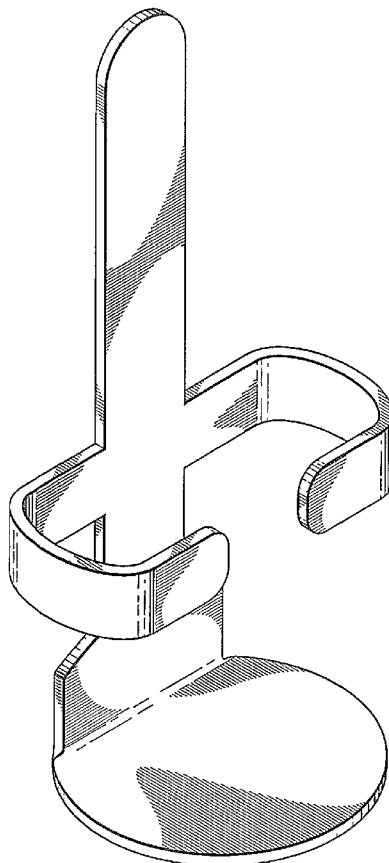
FIG. 1 is a top, front, left side perspective view of a soap holder showing my new design;
FIG. 2 is a right side elevational view thereof, the left side being a mirror image of that shown;
FIG. 3 is a front elevational view thereof;
FIG. 4 is a rear elevational view thereof;
FIG. 5 is a top plan view thereof; and,
FIG. 6 is a bottom plan view thereof.

(56) **References Cited**

U.S. PATENT DOCUMENTS

D276,292 S *	11/1984	Rivera et al.	D6/536
5,377,367 A *	1/1995	Bischoff	D6/540

1 Claim, 3 Drawing Sheets



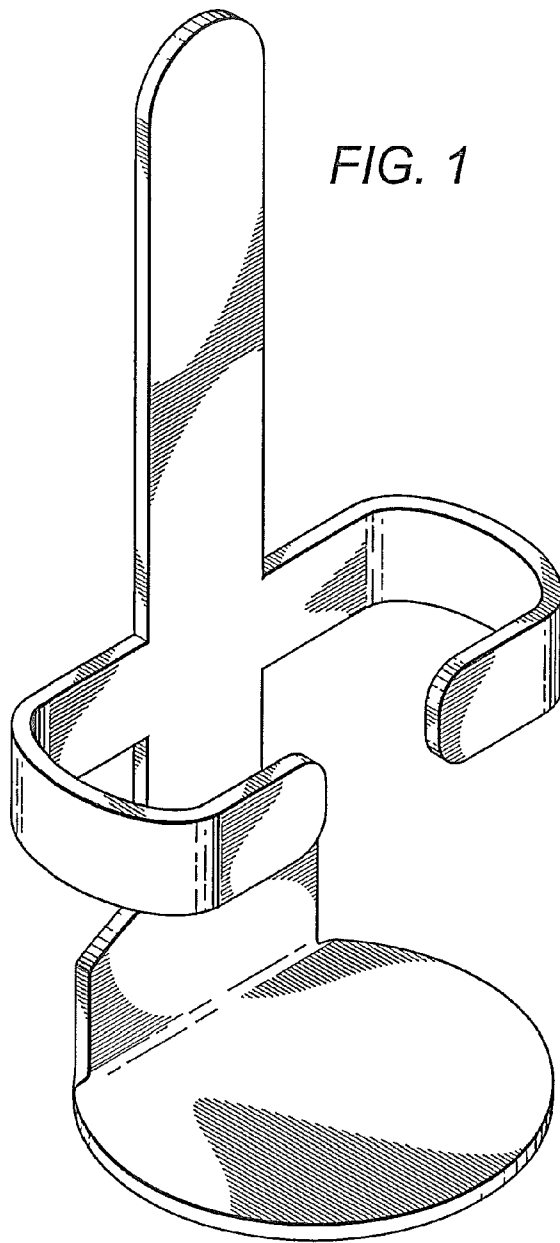


FIG. 1



FIG. 2

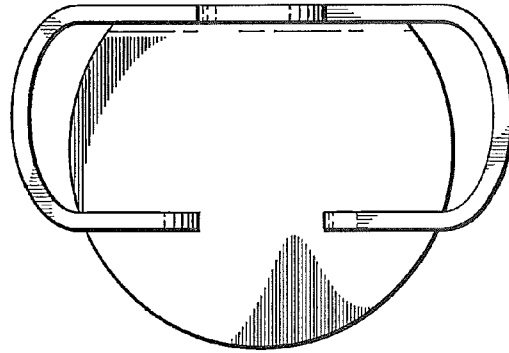


FIG. 5

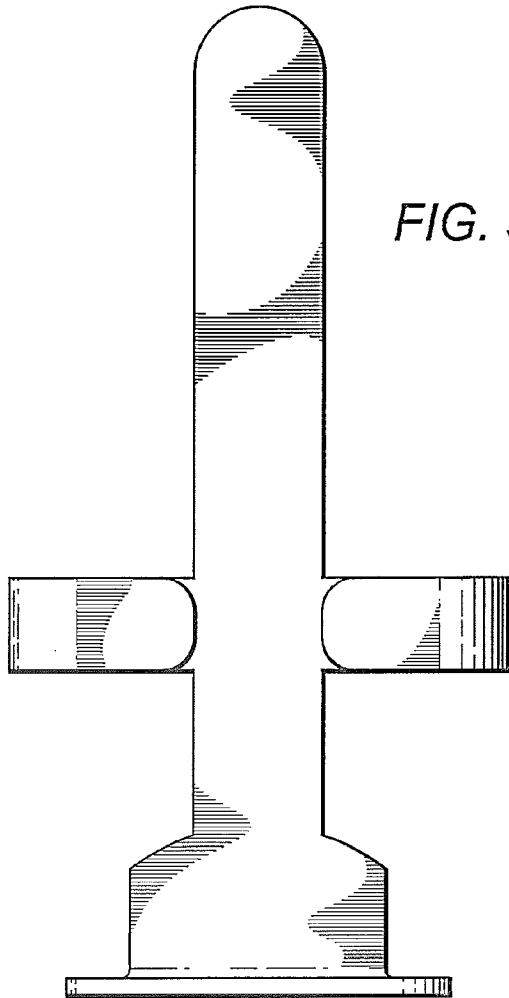


FIG. 3

