



US0D1024340S

(12) **United States Design Patent**  
**Mo**

(10) **Patent No.:** **US D1,024,340 S**

(45) **Date of Patent:** **\*\* Apr. 23, 2024**

(54) **TEETHER**

(71) Applicant: **Yaxin Mo**, Guangzhou (CN)

(72) Inventor: **Yaxin Mo**, Guangzhou (CN)

(73) Assignee: **Yaxin Mo**, Guangzhou (CN)

(\*\*) Term: **15 Years**

(21) Appl. No.: **29/814,897**

(22) Filed: **Nov. 10, 2021**

(51) **LOC (14) Cl.** ..... **24-04**

(52) **U.S. Cl.**

USPC ..... **D24/195; D4/107**

(58) **Field of Classification Search**

USPC ..... D24/115, 117, 193, 194, 195, 214;  
D3/293, 301; D4/104, 107; D21/496,  
D21/576, 588, 614, 617, 630, 655;  
D30/160; D29/113, 118, 123; D7/401.2,  
D7/642, 643; D1/102

CPC ..... A61J 17/02; A61J 17/10; A61J 17/001;  
A61J 17/113; A46B 15/0097

See application file for complete search history.

(56) **References Cited**

**U.S. PATENT DOCUMENTS**

5,444,889	A *	8/1995	Barre	.....	A46B 17/00 248/908
D376,853	S *	12/1996	Hsia	.....	D24/214
D383,307	S *	9/1997	Klein	.....	D24/194
D402,119	S *	12/1998	Landauer	.....	D4/107
D721,439	S *	1/2015	Swartz	.....	D24/194
D739,033	S *	9/2015	Lee	.....	D24/195
D745,283	S *	12/2015	Phillips	.....	D4/107
D746,018	S *	12/2015	Axelrod	.....	D1/199
D904,628	S *	12/2020	Kwon	.....	D24/195
D933,433	S *	10/2021	Fynbo	.....	D7/657
2017/0013952	A1 *	1/2017	Li	.....	A46B 15/0042
2020/0288860	A1 *	9/2020	Jimenez	.....	A46B 15/0089
2022/0125685	A1 *	4/2022	Farzin	.....	A61J 17/02

**OTHER PUBLICATIONS**

“Moonkie: 360° Baby Toothbrush”. Found online Aug. 29, 2023 at amazon.com. Reference dated Jan. 16, 2022. Retrieved from <https://www.amazon.com/Moonkie-Toothbrush-Silicone-Teething-Teethers/dp/B09NLWJHM9/>.\*

“Vicloon: Standing Toothbrush—Koala”. Found online Jan. 11, 2022 at amazon.co.uk. Reference dated Jul. 23, 2019. Retrieved from [https://www.amazon.co.uk/dp/B07VKL8BLQ/ref=emc\\_b\\_5\\_f?th=1](https://www.amazon.co.uk/dp/B07VKL8BLQ/ref=emc_b_5_f?th=1).\*

“Mushie: Star Training Toothbrush”. Found online Jul. 7, 2022 at amazon.com. Reference dated Jan. 10, 2022. Retrieved from <https://www.amazon.com/mushie-Toddler-Training-Toothbrush-Shifting/dp/B09Q2MH275/>.\*

“Haakaa: 360° Baby Toothbrush”. Found online Aug. 11, 2021 at amazon.co.uk. Reference dated Jul. 5, 2017. Retrieved from [www.amazon.co.uk/Haakaa-360-Silicone-Toothbrush-Phthalate/dp/B073QYBC3V/ref=sr\\_1\\_59?](http://www.amazon.co.uk/Haakaa-360-Silicone-Toothbrush-Phthalate/dp/B073QYBC3V/ref=sr_1_59?).\*

\* cited by examiner

*Primary Examiner* — Kendra Leslie Hamilton

(74) *Attorney, Agent, or Firm* — Nitin Kaushik

(57) **CLAIM**

The ornamental design for a teether, as shown and described.

**DESCRIPTION**

FIG. 1 is a perspective view of a teether showing my new design;

FIG. 2 is a front elevational view thereof;

FIG. 3 is a rear elevational view thereof;

FIG. 4 is a left side elevational view thereof;

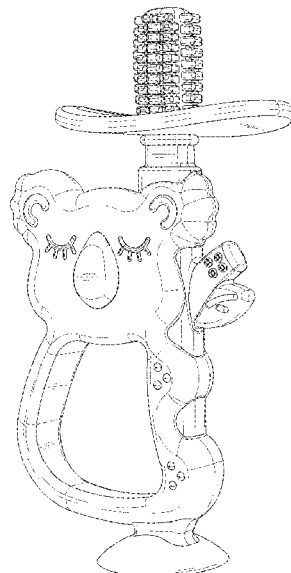
FIG. 5 is a right side elevational view thereof;

FIG. 6 is a top plan view thereof; and,

FIG. 7 is a bottom plan view thereof.

The broken lines depict portions of the teether that form no part of the claimed design.

**1 Claim, 7 Drawing Sheets**



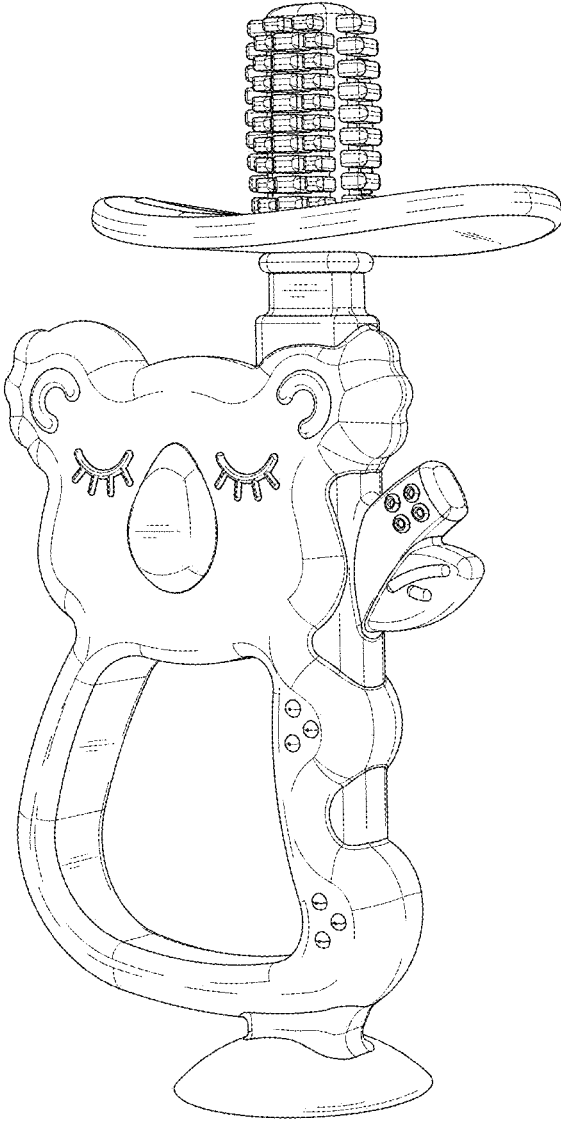


FIG. 1

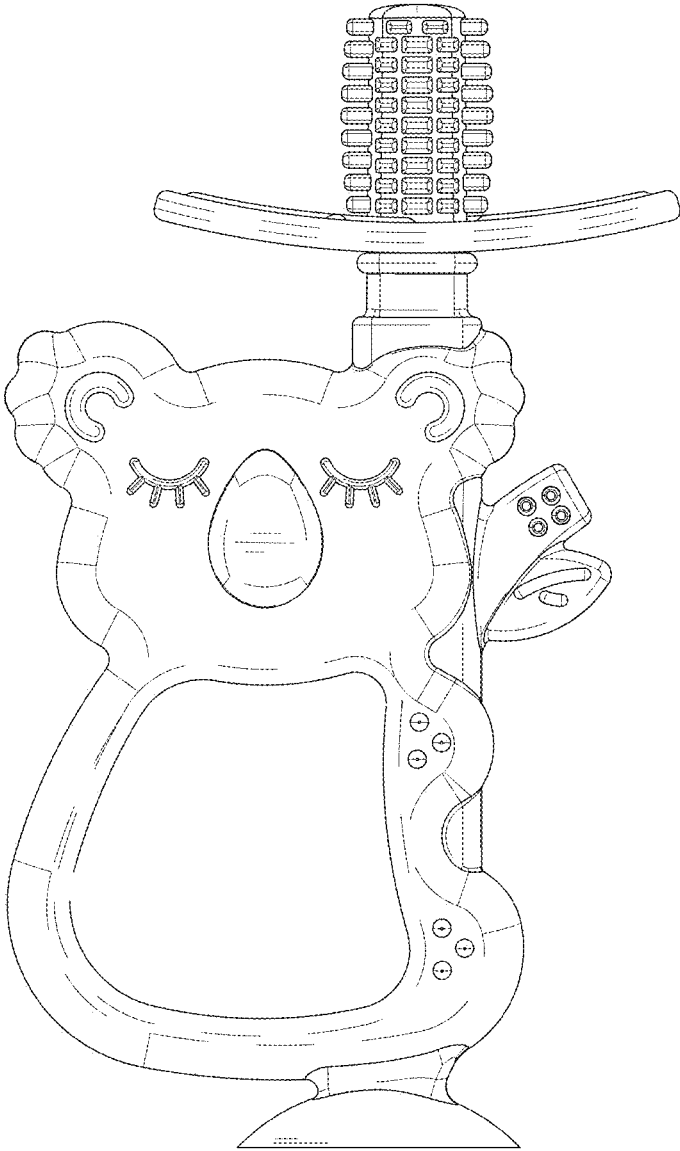


FIG. 2

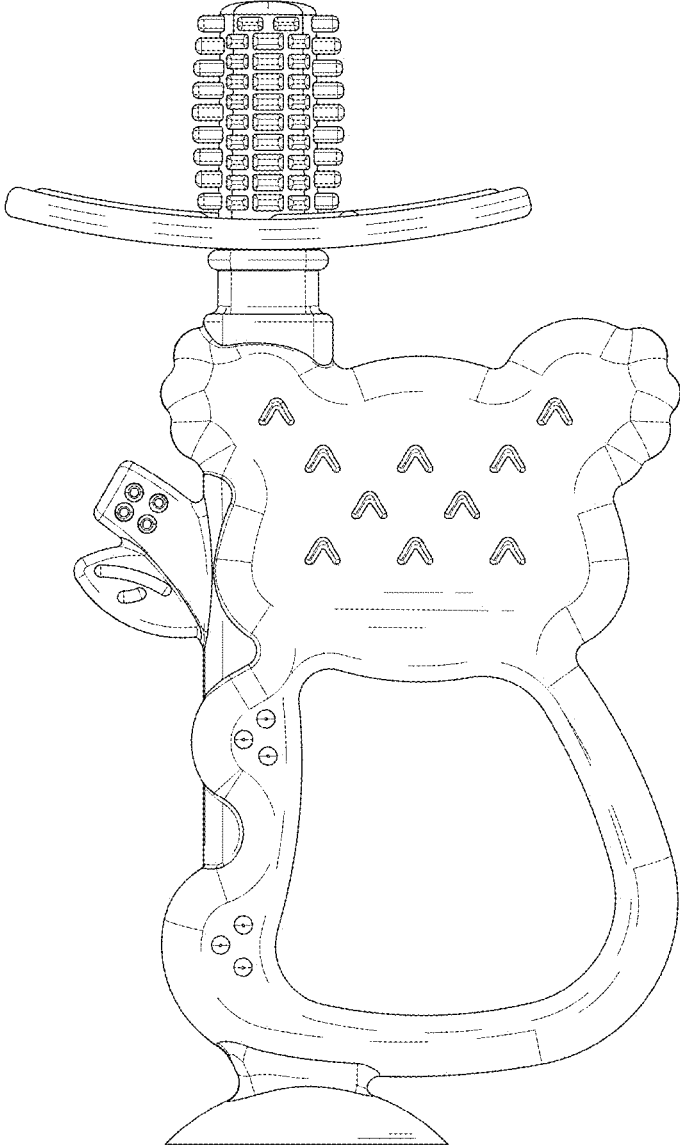


FIG. 3

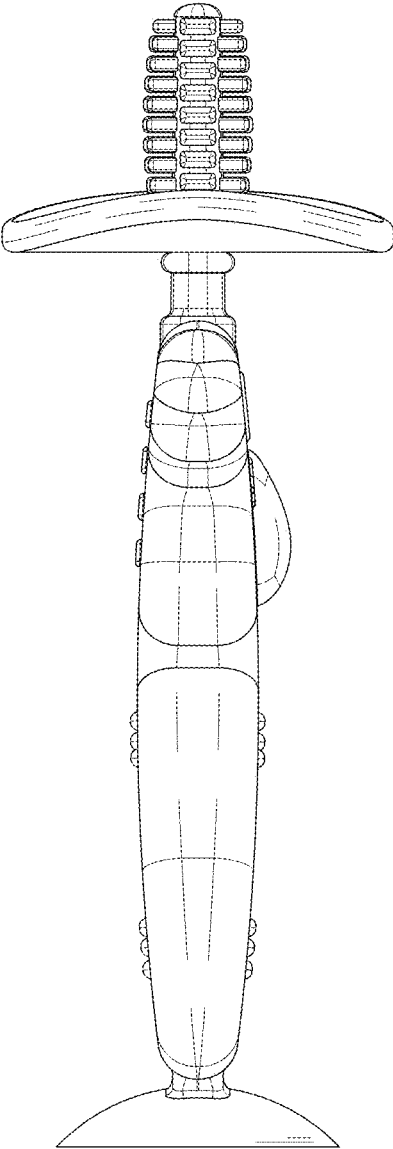


FIG. 4

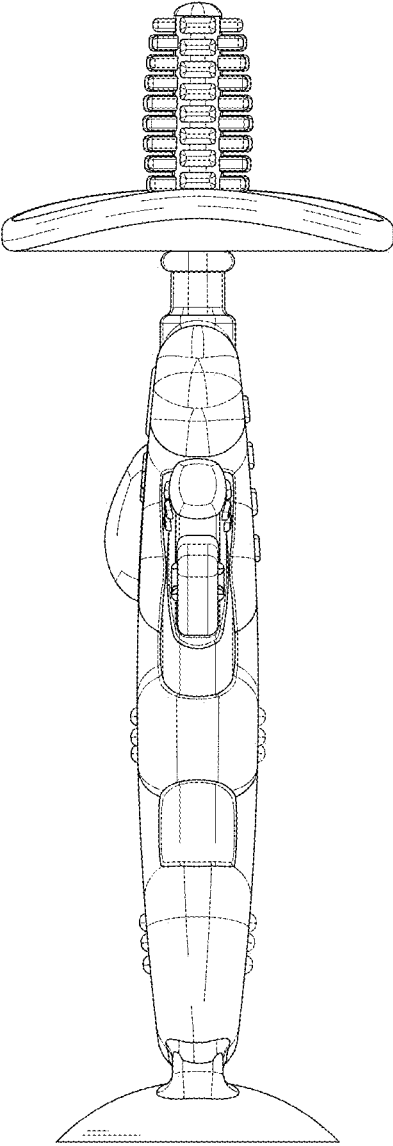


FIG. 5

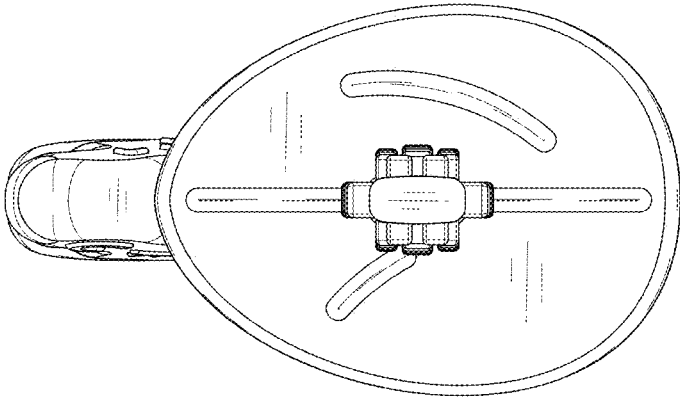


FIG. 6

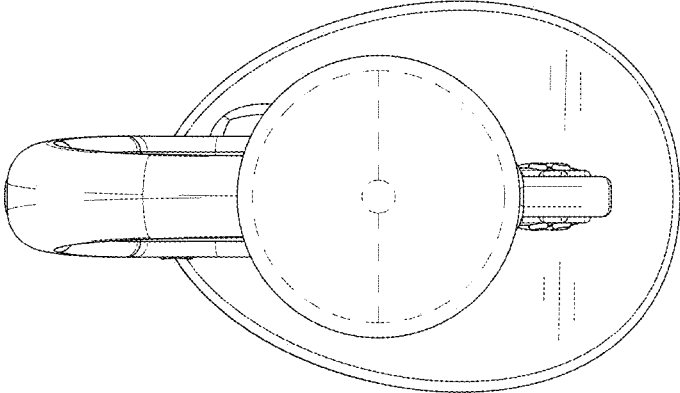


FIG. 7