



(51) International Patent Classification:
F02C 7/36 (2006.01)

(21) International Application Number:
PCT/US2013/078137

(22) International Filing Date:
27 December 2013 (27.12.2013)

(25) Filing Language: English

(26) Publication Language: English

(30) Priority Data:
61/774,186 7 March 2013 (07.03.2013) US

(72) Inventors; and

(71) Applicants : **BOUTON, Matthew T.** [US/US]; 5808 N. New Jersey Street, Indianapolis, Indiana 46208 (US).
SCHWERIN, Doug M. [US/US]; 4033 Country Place, Zionsville, Indiana 46077 (US).

(74) Agents: **SWEENEY, II, James R.** et al.; Barnes & Thornburg LLP, 11 South Meridian Street, Indianapolis, Indiana 46204 (US).

(81) Designated States (unless otherwise indicated, for every kind of national protection available): AE, AG, AL, AM, AO, AT, AU, AZ, BA, BB, BG, BH, BN, BR, BW, BY, BZ, CA, CH, CL, CN, CO, CR, CU, CZ, DE, DK, DM, DO, DZ, EC, EE, EG, ES, FI, GB, GD, GE, GH, GM, GT,

HN, HR, HU, ID, IL, IN, IR, IS, JP, KE, KG, KN, KP, KR, KZ, LA, LC, LK, LR, LS, LT, LU, LY, MA, MD, ME, MG, MK, MN, MW, MX, MY, MZ, NA, NG, NI, NO, NZ, OM, PA, PE, PG, PH, PL, PT, QA, RO, RS, RU, RW, SA, SC, SD, SE, SG, SK, SL, SM, ST, SV, SY, TH, TJ, TM, TN, TR, TT, TZ, UA, UG, US, UZ, VC, VN, ZA, ZM, ZW.

(84) Designated States (unless otherwise indicated, for every kind of regional protection available): ARIPO (BW, GH, GM, KE, LR, LS, MW, MZ, NA, RW, SD, SL, SZ, TZ, UG, ZM, ZW), Eurasian (AM, AZ, BY, KG, KZ, RU, TJ, TM), European (AL, AT, BE, BG, CH, CY, CZ, DE, DK, EE, ES, FI, FR, GB, GR, HR, HU, IE, IS, IT, LT, LU, LV, MC, MK, MT, NL, NO, PL, PT, RO, RS, SE, SI, SK, SM, TR), OAPI (BF, BJ, CF, CG, CI, CM, GA, GN, GQ, GW, KM, ML, MR, NE, SN, TD, TG).

Published:

- with international search report (Art. 21(3))
- before the expiration of the time limit for amending the claims and to be republished in the event of receipt of amendments (Rule 48.2(h))

(88) Date of publication of the international search report:
11 December 2014



WO 2014/149121 A3

(54) Title: CLUTCH COUPLED TO GAS TURBINE ENGINE AND METHOD FOR COOLING

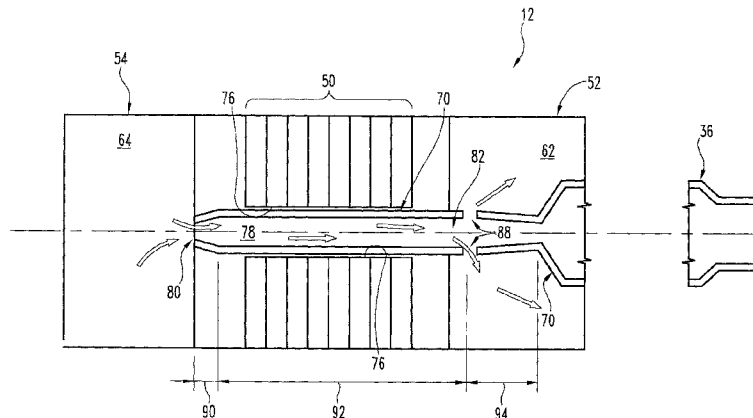


Fig. 2

(57) Abstract: A gas turbine engine clutch includes a dry clutch assembly, forward and aft working areas, and a shaft. The dry clutch assembly is operative to receive power from a gas turbine engine. The dry clutch assembly is configured to selectively engage the gas turbine engine with a driven source, and has an axial opening extending therethrough. The forward and aft working areas are disposed at axially opposite ends of the dry clutch assembly. The shaft extends axially through the axial opening of the dry clutch assembly, and defines an axial fluid flow passage therethrough in liquid fluid communication with the forward and aft working areas.

INTERNATIONAL SEARCH REPORT

International application No
PCT/US2013/078137

A. CLASSIFICATION OF SUBJECT MATTER
INV. F02C7/36
ADD.
According to International Patent Classification (IPC) or to both national classification and IPC

B. FIELDS SEARCHED
Minimum documentation searched (classification system followed by classification symbols)
F16D F02C

Documentation searched other than minimum documentation to the extent that such documents are included in the fields searched

Electronic data base consulted during the international search (name of data base and, where practicable, search terms used)
EPO-Internal, WPI Data

C. DOCUMENTS CONSIDERED TO BE RELEVANT

Category*	Citation of document, with indication, where appropriate, of the relevant passages	Relevant to claim No.
X A	GB 711 788 A (ROLLS ROYCE) 14 July 1954 (1954-07-14) page 4, line 8 - page 4, line 37; figure 4	1-9,17, 20 10-16, 18,19
A	----- US 2009/320491 A1 (COPELAND ANDREW D [US]) 31 December 2009 (2009-12-31) paragraphs [0025], [0026]; figure 2 abstract	1-20
A	----- US 4 341 296 A (SCHAEFER JAMES R ET AL) 27 July 1982 (1982-07-27) column 2, line 15 - column 2, line 59; figure 1	1-20
A	----- US 4 265 334 A (BENHASE JR GEORGE J) 5 May 1981 (1981-05-05) column 4, line 52 - column 5, line 5; figure 1 -----	1-20

Further documents are listed in the continuation of Box C.

See patent family annex.

* Special categories of cited documents :

- "A" document defining the general state of the art which is not considered to be of particular relevance
- "E" earlier application or patent but published on or after the international filing date
- "L" document which may throw doubts on priority claim(s) or which is cited to establish the publication date of another citation or other special reason (as specified)
- "O" document referring to an oral disclosure, use, exhibition or other means
- "P" document published prior to the international filing date but later than the priority date claimed

- "T" later document published after the international filing date or priority date and not in conflict with the application but cited to understand the principle or theory underlying the invention
- "X" document of particular relevance; the claimed invention cannot be considered novel or cannot be considered to involve an inventive step when the document is taken alone
- "Y" document of particular relevance; the claimed invention cannot be considered to involve an inventive step when the document is combined with one or more other such documents, such combination being obvious to a person skilled in the art
- "&" document member of the same patent family

Date of the actual completion of the international search

9 October 2014

Date of mailing of the international search report

16/10/2014

Name and mailing address of the ISA/

European Patent Office, P.B. 5818 Patentlaan 2
NL - 2280 HV Rijswijk
Tel. (+31-70) 340-2040,
Fax: (+31-70) 340-3016

Authorized officer

Herbiet, J

INTERNATIONAL SEARCH REPORT

Information on patent family members

International application No

PCT/US2013/078137

Patent document cited in search report	Publication date	Patent family member(s)	Publication date
GB 711788	A	14-07-1954	NONE

US 2009320491	A1	31-12-2009	EP 2123884 A2 25-11-2009
		US 2009320491 A1	31-12-2009

US 4341296	A	27-07-1982	NONE

US 4265334	A	05-05-1981	NONE
