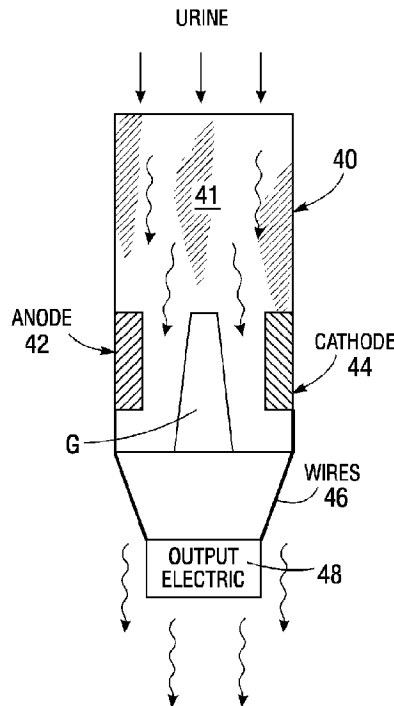




(22) Date de dépôt/Filing Date: 2020/11/17  
(41) Mise à la disp. pub./Open to Public Insp.: 2021/05/18  
(45) Date de délivrance/Issue Date: 2022/08/02  
(30) Priorité/Priority: 2019/11/18 (US62/936,994)

(51) Cl.Int./Int.Cl. *A61M 25/00* (2006.01),  
*A61F 5/44* (2006.01), *A61M 27/00* (2006.01)  
(72) Inventeur/Inventor:  
PALMER, TIMOTHY A., US  
(73) Propriétaire/Owner:  
CURE MEDICAL LLC, US  
(74) Agent: OYEN WIGGS GREEN & MUTALA LLP

(54) Titre : CATHETER URINAIRE INTELLIGENT  
(54) Title: SMART URINARY CATHETER



(57) **Abrégé/Abstract:**

A urinary catheter having a sensor or indicator affixed therein in a location that will be in the flow of urine when catheter is in use. The indicator comprises an electrolytic wicking material having an anode and a cathode thereon separated across the gap. The wicking material may be paper. The indicator further includes an output transducer positioned and connected relative to the anode and cathode such that a circuit which energizes the output transducer is created when urine flows. The indicator is configured to generate an output signal received at a remote location so that a medical practitioner can monitor proper usage of the catheter.

## **SMART URINARY CATHETER**

### **ABSTRACT OF THE DISCLOSURE**

A urinary catheter having a sensor or indicator affixed therein in a location that will be in the flow of urine when catheter is in use. The indicator comprises an electrolytic wicking material having an anode and a cathode thereon separated across the gap. The wicking material may be paper. The indicator further includes an output transducer positioned and connected relative to the anode and cathode such that a circuit which energizes the output transducer is created when urine flows. The indicator is configured to generate an output signal received at a remote location so that a medical practitioner can monitor proper usage of the catheter.

## SMART URINARY CATHETER

### FIELD

**[0001]** The present invention relates to a urinary catheter and, more particularly, to a smart urinary catheter having a flow indicator built-in to sense when the catheter has been used.

### BACKGROUND

**[0002]** The urinary system contains two kidneys, two ureters, the bladder and the urethra. The kidneys filter the blood and produce urine. The urine travels from the kidneys down the ureters and into the bladder, where it is stored until emptied during urination. The urethra is the tube that empties the urine out of the body. When the bladder is full, the brain sends a signal down the spinal cord to the bladder, causing it to empty. Unfortunately, spinal cord injuries such as spina bifida and certain other similar conditions interfere with these signals.

**[0003]** There are an estimated 12,000 spinal cord injuries every year in the United States. More than a quarter of a million Americans are currently living with spinal cord injuries. The largest proportion of spinal cord injuries (36.5 %) occurs during car accidents; more than a quarter are the result of falls; and the rest are due to acts of violence (primarily gunshot wounds), sporting accidents, and other less common causes. The average age at injury has risen and is now 42.6 years. 80 percent of spinal cord injury patients are men.

**[0004]** Most spinal cord injuries affect bladder and bowel functions because the nerves that control the involved organs originate in the segments near the lower end of the spinal cord and lose normal brain input. Although the kidneys continue to produce urine, bladder control may be lost and the risk of bladder and urinary tract infections increases.

**[0005]** When people are unable to empty their bladder on their own, they are at risk for urinary tract infections, as well as incontinence or involuntary loss of urine. When urine stays in the bladder and is not emptied, bacteria can grow, causing infections which can lead to illness. Research has shown that intermittent self-catheterization helps reduce urinary tract infections, control urinary leakage (incontinence) and prevent urinary tract damage.

**[0006]** Patients are sometimes prescribed urinary catheters but fail to use or misuse them for a variety of reasons, such as inconvenience, embarrassment, forgetfulness, and simple stubbornness, among many. Consequently, there is a need for a system to ensure compliance.

#### SUMMARY OF THE INVENTION

**[0007]** The present application discloses a number of intermittent urinary catheters each incorporating a sensor or indicator that registers usage of the catheter. The indicators are inexpensive so as not to unduly increase the cost of relatively inexpensive urinary catheters, and monitor one-time usage of the catheters, which are universally disposable. The indicators incorporate an electrolytic cell energized by urine flow that powers an electric signaling device. The signaling device includes a small transmitting antenna which interacts with a local device such as a smart phone. The signaling device possesses a unique signature

for that particular urinary catheter which has been assigned to the user. In this way, the local device collects usage information for that user and can then forward the aggregate information to a medical provider for analysis.

**[0008]** The present application provides a “smart” urinary drainage catheter that incorporates a very low-cost sensor or indicator powered by a urine battery. The indicator would link to a smart phone and would allow tracking of catheter use to ensure patient compliance. Each catheter would have a unique indicator (serialized) and the catheters would be assigned to a user at time of sale. When a user drained their bladder, the indicator would activate and signal that it was being used. A medical professional could then track usage history and intervene if there were signs of noncompliance. (Not draining frequently enough, reuse of catheters etc.)

**[0009]** One version of the smart catheter would only track usage but as sensors became more available other items could be tracked such as volume drained, flow rate, the presence of bacteria above critical level (infection), mineral levels, and/or hydration level.

#### BRIEF DESCRIPTION OF THE DRAWINGS

**[0010]** Figure 1 is a schematic illustration of a urinary catheter tube having a sensor or indicator affixed therein;

**[0011]** Figure 2 is a schematic illustration of a urinary catheter tube having a proximal funnel with a sensor or indicator affixed therein;

[0012] Figures 3A-3C are schematic views of different embodiments of a sensor or indicator that may be mounted within a urinary catheter, in accordance with the present application;

[0013] Figure 4 is a schematic view of a third embodiment of a paper sensor or indicator within a urinary catheter in which the sensor is mounted so as to stay dry;

[0014] Figure 5A is a plan view of the paper indicator of Figure 4 before folding, and Figures 5B and 5C are views of the paper indicator after folding;

[0015] Figure 6A is a plan view of an alternative flow indicator that may be utilized in a urinary catheter as described herein, and Figure 6B is a view showing the alternative indicator after folding down a top flap to cover electronics thereon;

[0016] Figure 7 is a plan view of the assembled alternative flow indicator;

[0017] Figures 8A/8B, 9A/9B, and 10A/10B are elevational and top plan views of the assembled alternative flow indicator of Figure 7 after having been compacted in various ways; and

[0018] Figure 11 is a schematic view of the alternative flow indicator within a urinary catheter in which the sensor is mounted so as to stay dry.

#### DETAILED DESCRIPTION OF A PREFERRED EMBODIMENT

[0019] The present application provides a “smart” urinary drainage catheter that incorporates a very low-cost sensor or indicator powered by a urine activated battery. The

indicator would link to a smart phone and would allow tracking of catheter use to ensure patient compliance.

**[0020]** Figure 1 is a schematic illustration of a urinary catheter 20 having a sensor or indicator 22 affixed therein. The indicator is affixed inside a lumen of a catheter tube 23, such as adjacent a proximal end 24. The catheter tube 23 may be part of a number of different types of urinary catheters, male or female, drainage or collecting, such as those sold by Cure Medical, LLC of Newport Beach, CA. Urinary catheters 20 of this type have a rounded distal tip 26 that may be lubricated and inserted into the urethra, wherein the user advances the tube 23 until the distal tip enters the bladder. Urine then flows into one or more openings or eyelets 28 adjacent the distal tip 26 and proximally through the lumen of the tube 23. The proximal end 24 defines an outlet that may be held by the user over a toilet with the like, or may be sealed within a collection bag (not shown), depending on the type of urinary catheter.

**[0021]** Figure 2 shows a portion of a urinary catheter tube 30 having a proximal end leading to a flared outlet funnel 32 with a sensor or indicator 34 affixed therein. The funnel 32 is often used in drainage catheters to provide a convenient spout of sorts for directing the urine into a toilet. Also, widened proximal ends on catheters such as the funnel 32 are used within sterile collection bags to prevent the entire catheter from being removed from the bag.

**[0022]** Figure 3A is a schematic view of one embodiment of a sensor or indicator 40 that may be placed within a catheter, such as shown in Figures 1 and 2. The indicator comprises a porous electrolytic material or substrate 41 doped with anodic and cathodic material to form an anode 42 and a cathode 44 spaced apart across a gap G.

**[0023]** The electrolytic substrate 41 allows for fluid wicking. In a preferred embodiment, the electrolytic substrate 41 is paper or other such wicking material which when wetted with urine creates an ion flow. The infusion of sodium hydroxide, potassium hydroxide or the like to form electrolyte infused paper may enhance the ability of the substrate to transfer ions. The urine wets or saturates the substrate 41 which allows for chemical reactions to occur at both the cathode and electrode. If the cathode and anode are connected via a conductive path with an electrical load a current will be generated. This would make a complete circuit so current could flow.

**[0024]** With respect to the microstructure of a porous electrode substrate, it is porous and facilitates liquid and/or gaseous flow of reactant through the pores when wetted. Also, the solid substrate may be treated with a salt, acid or base such that it will more efficiently transfer ions when wetted with urine. The porosity should be relatively constant spatially to facilitate uniform flow distribution. Porous materials include, but are not limited to fibrous carbons, felts, papers, cloths, silica, gels, foams, sponges, ceramics, filters, meshes, wicks, membranes, polymers, and metal-organic frameworks.

**[0025]** The anodic material can be selected from the group consisting of zinc, lithium, aluminum, or magnesium. The cathodic material may be selected from a group consisting of carbon, nickel, cobalt, or manganese. In a preferred embodiment, the anodic material is aluminum and the cathodic material is nickel. The anodic and cathodic materials are preferably printed on electrolyte-infused paper.

**[0026]** One source of materials that can be used for the indicators of the present application is US 2018/0043361 to Vizcarra.

**[0027]** The indicator 40 produces an output signal when urine flows through or otherwise saturates the electrolytic substrate 41. When urine contacts the anode 42 and cathode 44, an ion flow is created which energizes an electrical output transducer 48 via current carrying pathways. More particularly, a pair of wires 46 are electrically connected to the anode 42 and cathode 44 and connect to opposite poles of the output transducer 48, which may be physically separated from the substrate 41 as shown. The electrolytic urine saturates the electrolytic substrate 41 and ion begins to flow between the anode 42 and cathode 44. Ions pass through the electrolyte substrate 41 and drive electron flow in (i.e., energize) the output transducer 48 through the wires 46. The gap G may help reduce direct ion flow between the anode 42 and cathode 44 and thus focus flow to the wires 46.

**[0028]** The current carrying pathways (e.g., wires 46) may be partly printed or deposited through the substrate 41, or along edges thereof as shown. One technique is to deposit carbon ink along the edges which acts like a wire 46 to create current carrying pathways.

**[0029]** The output transducer 48 may be a variety of devices, but preferably comprises an antenna connected to amplify an output of the output transducer 48 and send a signal to a capture device (e.g., smartphone etc.). The indicator 40 does not collect the urine - it just lets it pass through. The signal sent by the output transducer 48 provides an indication that the catheter has been in use. The signal may be received and tracked by a medical practitioner or recording device monitored by the medical practitioner to keep track of when and how often the urinary catheter has been used. Moreover, the signal includes a distinctive signature (e.g., serial number) assigned to a user at time of sale or delivery of the catheter which enables the recipient of the signal to track which catheter and presumptively which user has

been activated. This enables the medical practitioner to monitor proper compliance with the catheter usage. In addition, the indicator resets a given time after use as it dries in the absence of urine. If the device is used again, the output transducer 48 generates another signal which is also received by the medical practitioner, indicating that the catheter has been improperly used twice.

**[0030]** Figure 3B is a schematic view of a second embodiment of a sensor or indicator 50 that may be mounted within a catheter, such as seen in Figures 1 and 2. In this embodiment, an electrolytic substrate 51 is formed with an open space forming a gap G between the anode 52 and cathode 54. Instead of wires, the electrical output transducer 58 is printed or otherwise affixed to the electrolytic substrate 51 at one end of the gap G. That is, the output transducer 58 is 3D printed or screen printed onto the electrolytic substrate 51 along a portion positioned between the anode 52 and cathode 54 so as to be in an ion flow therebetween. The output transducer 58 has poles on opposite ends which complete the circuit generated by ions flowing between the anode 52 and cathode 54. Current carrying pathways 56 that may be printed or deposited on the substrate 51 provide an enhanced electron flow pathway to opposite poles of the output transducer 58 from the anode 52 and cathode 54, respectively.

**[0031]** The output transducer 58 may be an RFID chip which can be 3D printed, screen printed, or otherwise adhered to the substrate 51. The transducer 58 has a central chip bonded to the substrate 51, such as paper, which chip can be programmed with product information.

**[0032]** Figure 3C is a further embodiment of a flow indicator 60 that includes a porous electrolytic substrate 62 having a cathode 64 and an anode 66 printed on opposite lateral

sides. The substrate 62 is mounted within a urinary catheter so that urine saturates the area of the substrate 62 separating the cathode 64 and anode 66, thus creating an electrolytic ion flow. An output transducer 68 such as a radio-frequency identification (RFID) chip 68 is connected in series to both the cathode 64 and anode 66 via wires 69, and is otherwise separated from substrate 62. Alternatively, the RFID chip 68 may be printed on the substrate 62, such as the output transducer 58 of Figure 3B. In a like manner the wires can be current carrying pathways printed on the paper using carbon ink. When urine flows and saturates the substrate 62, the resulting ion flow energizes the RFID chip 68 which produces an output signal that can be transmitted to a local device such as a smart phone.

**[0033]** In a preferred embodiment, the indicator is only a sensor. If more information is desired, the sensor may analyze the urine for volume drained, flow rate, the presence of bacteria above critical level (infection), mineral levels, and/or hydration level.

**[0034]** Figure 4 shows an embodiment that lets the anode and cathode contact urine but keeps the electrical output portion of the indicator dry and away from an electrical short condition. In this embodiment, a catheter tube 70 has a proximal end leading to a flared outlet funnel 72. The funnel 72 has an inner wall that tapers gradually wider and to which a first portion 74 of the indicator is attached and on which an output transducer (not shown) may be located. The indicator may be constructed as disclosed above with respect to Figures 3A-3C.

**[0035]** A second portion 76 of the indicator is cantilevered laterally across a centerline of the funnel 72. The second portion 76 lies in the path of urine flow through the catheter, which flow is preferably concentrated by a sharp edge 78 at the inlet of the funnel 72.

Keeping the first portion 74 of the indicator with the output transducer out of the direct flow may prevent short circuits.

**[0036]** Figure 5A is a plan view of the paper indicator of Figure 4 before folding, and Figures 5B and 5C are views of the paper indicator after folding. The indicator preferably has a bifurcated second portion 76 separated by a gap G. Anodic and cathodic material are printed or otherwise adhered to the electrolytic material of the indicator so as to form an anode 80 and cathode 82 across the gap G. A fold line 84 separates the first portion 74 from the second portion 76, such that the indicator can easily be adhered to the inside of the funnel 72 when bent as shown in Figure 5C. An output transducer or sensor 86 is positioned somewhere on the second portion 76 and functions similar to those described above. Wires 88 extend between opposite poles of the output transducer 86 and the respective anode 80 and cathode 82. The wires 88 may be 3D printed or screen printed, or deposited along the edges of the indicator as shown and provide current carrying pathways.

**[0037]** The gap G may help reduce direct ion flow between the anode 80 and cathode 82 and thus focus electron flow to the wires 88. The gap G also facilitates urine flow past the indicator.

**[0038]** Figure 6A is a plan view of an alternative flow or usage indicator 100 that may be utilized in a urinary catheter as described herein, and Figure 6B is a view showing the alternative indicator after folding down a top flap to cover electronics thereon. The usage indicator 100 is once again primarily formed of a porous substrate 102 which is generally rectangular. A printed or deposited cathode 104 and anode 106 are provided on opposite lateral side edges across an area of the substrate 102. An output transducer 108 on the

substrate 102 is positioned between the cathode 104 and anode 106; the transducer having an antenna 110 extending outward therefrom also mounted on the substrate 102. The antenna 110 is connected to amplify an output of the output transducer 108 and send a signal to a remote device such as a smartphone. Wires 112 may connect the transducer 108 to the cathode 104 and anode 106, or the substrate 102 may be printed with conductive material paths. As mentioned above, the transducer 108 may be an RFID chip which is 3D printed or screen-printed on the substrate 102, with a chip programmed with product and/or customer information.

**[0039]** The usage indicator 100 also has a rectangular fold strip 114 contiguous with and made of the same material as the substrate 102, and separated from the primary rectangular area at a fold line 116. The strip 114 may be folded downward at the fold line 116 so as to cover the transducer 108, antenna 110 and wires 112, as seen in Figure 6B. Although the strip 114 is desirably formed of the same material as the substrate 102, it is preferably not impregnated with electrolytic substance and is instead insulating. The insulating fold strip may be treated to improve its ability to retain its insulating character. The treating material may be a wax, polymer or hydrophobic material. By folding the insulating strip 114 over the electronics 108, 110, 112, the circuit is physically protected and electrically insulated.

**[0040]** Figure 7 is a plan view of the assembled alternative usage indicator 100 indicating a lateral tab 118 that is formed after folding the strip 114 over. As will be described, the indicator 100 may be compacted in various ways and the tab 118 then used to hold the assembly in a compact form so that it may be inserted into a urinary catheter.

**[0041]** Figures 8A/8B, 9A/9B, and 10A/10B are elevational and top plan views of the assembled alternative usage indicator 100 of Figure 7 after having been compacted in various ways. First, Figures 8A and 8B show the substrate 102 rolled up into a spiral with the tab 118 then used to secure a top portion thereof. The tab 118 may have adhesive or other such fastener to hold the rolled tube together.

**[0042]** Figures 9A and 9B show the substrate 102 folded into a zig-zag or accordion shape. Again, the lateral tab 118 is wrapped around the top end and secures the assembly in the compact state.

**[0043]** Finally, Figures 10A and 10B shows substrate 102 rolled up using a square or rectangular fold, again with the lateral tab 118 securing the top end to maintain the compact shape. Each of the compacted embodiments thus has the majority of the substrate 102 with the anode and cathode thereon folded but not enclosed, and a top portion with the electronics including the transducer 108, antenna 110 and wires 112 covered by the closure tab 118. Once again, the tab 118 is formed by a portion of the insulating strip 114 which both physically and electrically protects the components therein.

**[0044]** Figure 11 is a schematic view of the alternative usage indicator 100 mounted within a urinary catheter 120 in which the sensor is mounted so as to stay dry. More particularly, the catheter 120 again has a tube 122 that connects at a proximal end to an outlet funnel 124. The funnel may include a flange 126 which narrows the opening from the lumen of the catheter tube 122 to the lumen of the funnel 124. The usage indicator 100 may be secured within the funnel just beyond or downstream from the flange 126, so that the upstream or top end including the electronics 108, 110, 112 wrapped up in the insulating tab

118 is positioned out of the direct urine flow. This enables the lower portion including the substrate 102 having the cathode 104 and anode 106 to hang down so as to be easily wetted by the urine flow. As explained above, once the urine saturates the substrate 102, an electrolytic circuit is created which energizes the transducer 108 and broadcasts the usage signal via the antenna 110.

**[0045]** Throughout this description, the embodiments and examples shown should be considered as exemplars, rather than limitations on the apparatus and procedures disclosed or claimed. Although many of the examples presented herein involve specific combinations of method acts or system elements, it should be understood that those acts and those elements may be combined in other ways to accomplish the same objectives. Acts, elements and features discussed only in connection with one embodiment are not intended to be excluded from a similar role in other embodiments.

## CLAIMS

1. A urinary catheter, comprising:
  - a) a flexible catheter tube having a length and diameter sized for introduction and advancement through a user's urethra to the user's bladder, the tube having a proximal end leading to an outlet and a rounded distal tip with one or more openings adjacent a distal end leading to an internal lumen that extends the length of the tube;
  - b) a usage indicator affixed within the catheter so as to be exposed to urine, the usage indicator comprising a porous substrate having a spaced-apart anode and cathode pair thereon, the usage indicator further including an output transducer positioned and connected with connecting wires relative to the anode and cathode such that an electrical current which energizes the output transducer is created when urine flows through the catheter and wets the indicator, the output transducer being configured to generate an output signal adapted to be received at a remote location.
2. The urinary catheter of claim 1, wherein the usage indicator is affixed within the lumen of the tube.
3. The urinary catheter of claim 1, wherein the outlet comprises a flared funnel, and the usage indicator is affixed within the funnel.
4. The urinary catheter of claim 3, wherein the funnel includes an inward flange that forms an opening narrower than the lumen of the tube, and the usage indicator has an upstream end affixed to a position downstream from the flange so that the upstream end is not in a direct flow

of urine.

5. The urinary catheter of claim 3, wherein the usage indicator includes a flap of the porous substrate with a first portion affixed to a sidewall of the funnel and a second portion cantilevered into a flow stream within the funnel.
6. The urinary catheter of claim 1, wherein the porous substrate is made of paper or electrolyte-infused paper so as to form a transfer path through which ions may flow, and the anode and cathode are formed by materials printed on the paper.
7. The urinary catheter of claim 6, wherein the anode is formed by an anodic material selected from the group consisting of zinc, lithium, aluminum and magnesium, and the cathode is formed by a cathodic material selected from the group consisting of carbon, nickel, cobalt and manganese.
8. The urinary catheter of claim 6, wherein the output transducer is located off of the substrate and connected thereto by the connecting wires.
9. The urinary catheter of claim 6, wherein the output transducer is deposited, 3D printed or screen printed onto the porous substrate along a portion positioned between the anode and cathode so as to be in an ion flow therebetween.
10. The urinary catheter of claim 1, wherein the output transducer includes an antenna connected to amplify the output signal, and the output transducer and antenna are 3D printed or

screen printed onto the porous substrate.

11. A smart urinary catheter, comprising:

a) a flexible catheter tube having a length and diameter sized for introduction and advancement through a user's urethra to the user's bladder, the tube having a proximal end leading to an outlet and a rounded distal tip with one or more openings adjacent a distal end leading to an internal lumen that extends the length of the tube;

b) a usage indicator affixed within the catheter so as to be exposed to urine, the usage indicator comprising a porous substrate configured to pass an electrolytic ion flow between an anode and cathode pair thereon when wetted and an output transducer configured to be energized by a current flow and connected to the anode and cathode with current carrying pathways, the output transducer being capable of generating an output signal to be received at a remote location, the porous substrate being affixed within the catheter such that the output transducer is out of a direct flow of urine through the catheter.

12. The urinary catheter of claim 11, wherein the porous substrate has an expanded configuration for fabrication convertible to a compacted configuration which is affixed within the catheter.

13. The urinary catheter of claim 12, wherein the porous substrate is made of paper or electrolyte infused paper, and the anode, cathode, current carrying pathways and output transducer are formed by materials printed on the paper.

14. The urinary catheter of claim 12, wherein the expanded configuration includes an

insulated strip foldable over the output transducer.

15. The urinary catheter of claim 14, wherein the insulated strip has a tab laterally-extending from a main portion of the insulated strip, and the compacted configuration includes the main portion and adjacent insulated strip being rolled or folded to laterally compact a dimension thereof, wherein the laterally-extending tab wraps around the rolled or folded insulated strip to secure the compacted configuration from unraveling.

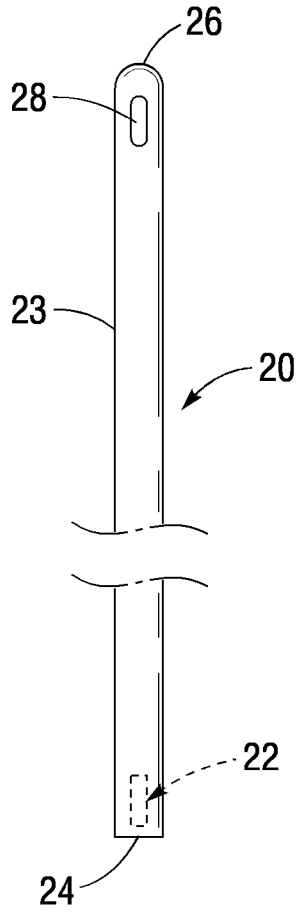
16. The urinary catheter of claim 15, wherein the main portion is rectangular and the anode and cathode are located at laterally-opposite edges with the output transducer located opposite the insulated strip.

17. The urinary catheter of claim 12, wherein the outlet comprises a flared funnel with an inward flange that forms an opening narrower than the lumen of the tube, and the usage indicator in its compacted configuration has an upstream end affixed to a position downstream from the flange so that the upstream end is not in a direct flow of urine, and wherein the output transducer is located in the upstream end.

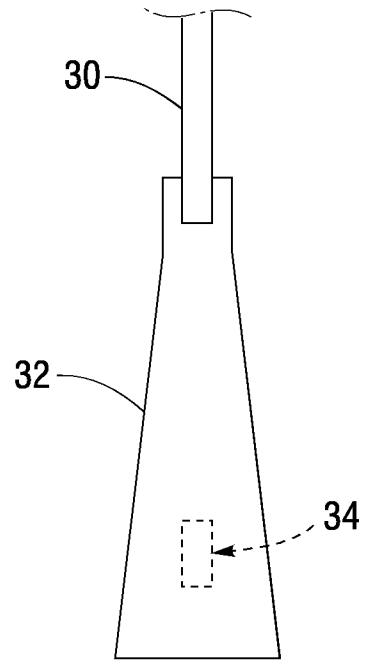
18. The urinary catheter of claim 17, further including an insulated tab wrapped around the upstream end.

19. The urinary catheter of claim 11, wherein the usage indicator includes a flap of the porous substrate with a first portion affixed to a sidewall of a funnel and a second portion bent relative to the first portion and cantilevered into a direct flow of urine within the funnel.

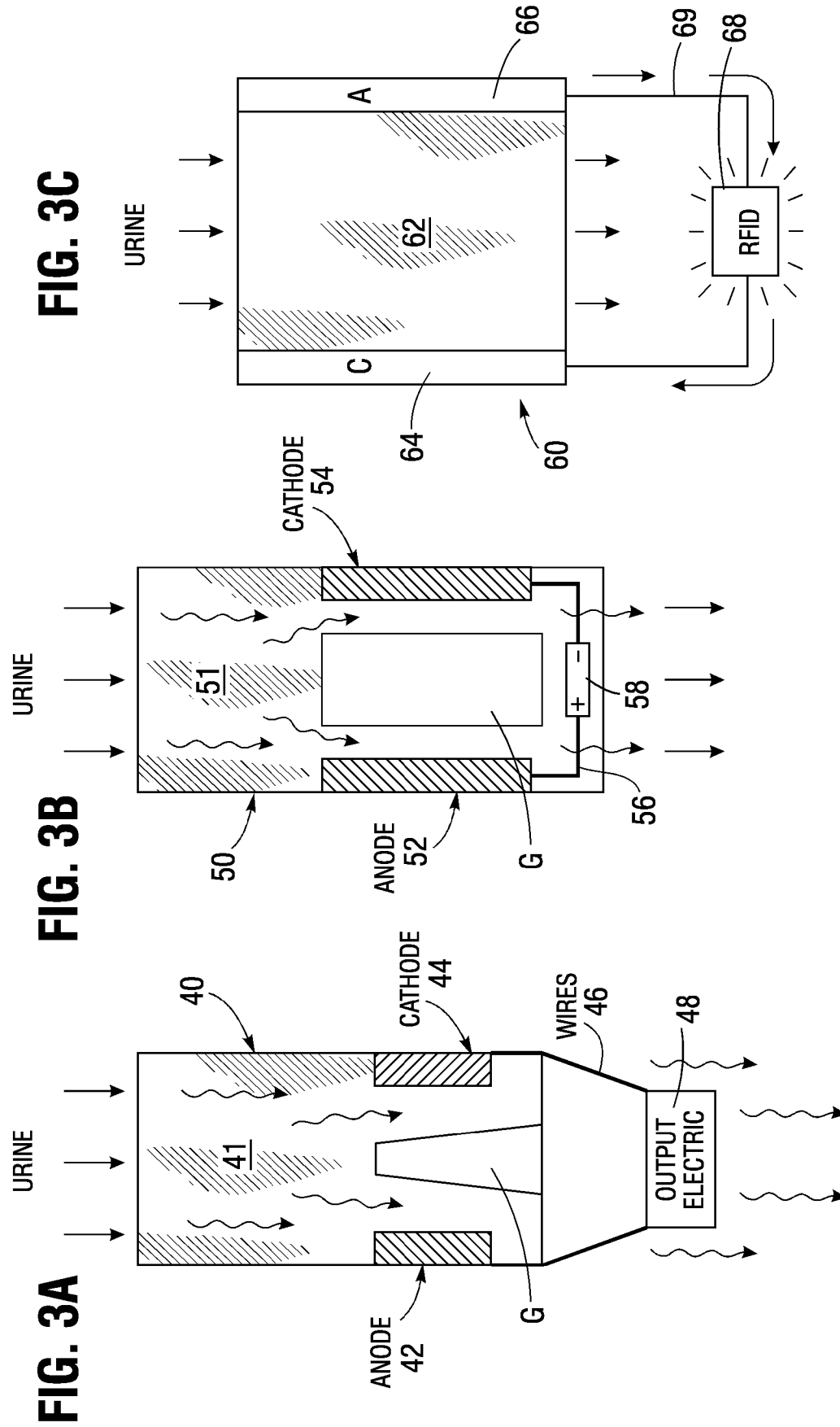
20. The urinary catheter of claim 19, wherein the output transducer and current carrying pathways are deposited, 3D printed or screen printed onto the porous substrate along a portion positioned between the anode and cathode so as to be in a current flow therebetween.

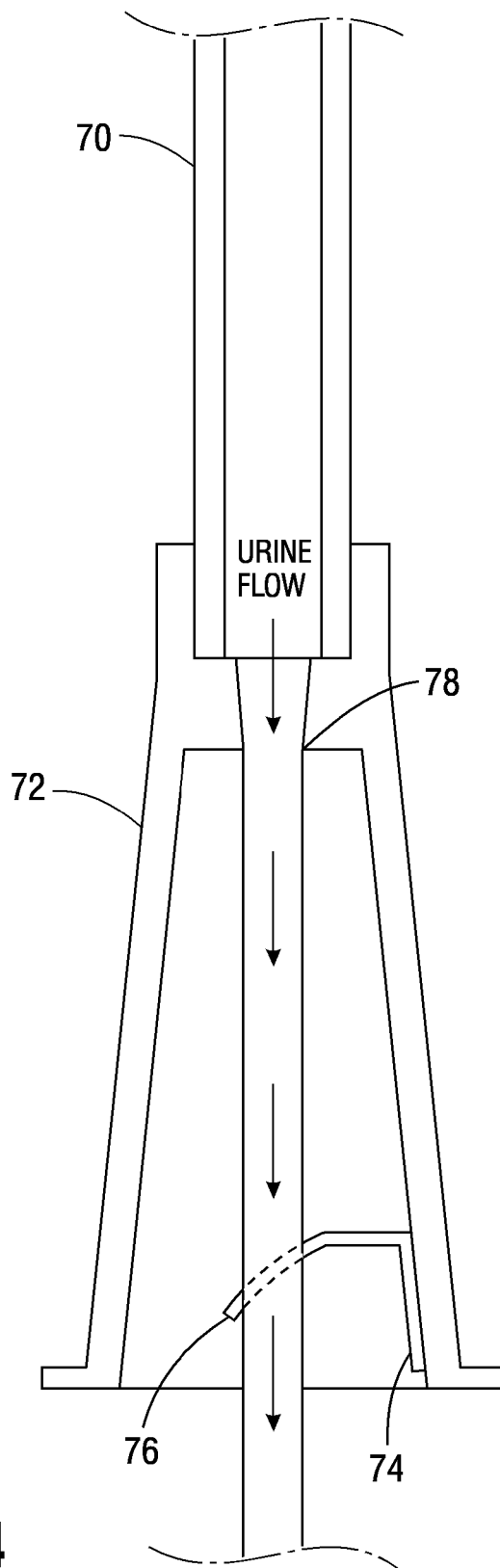


**FIG. 1**



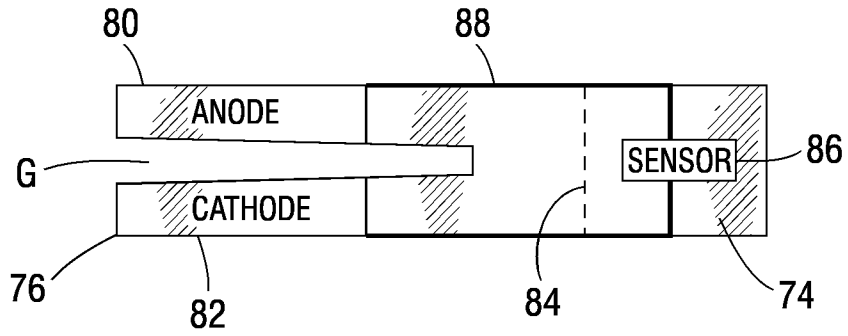
**FIG. 2**



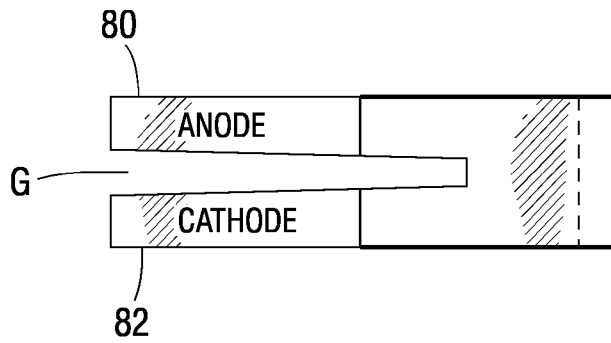


**FIG. 4**

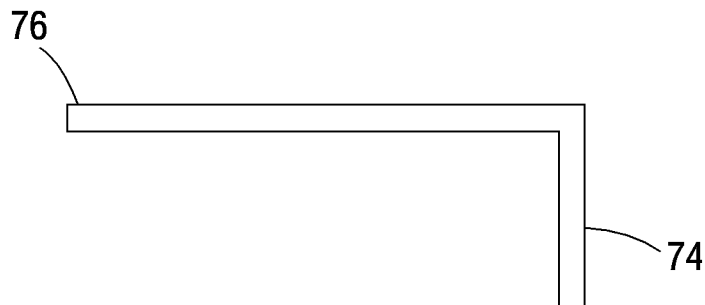
**FIG. 5A**



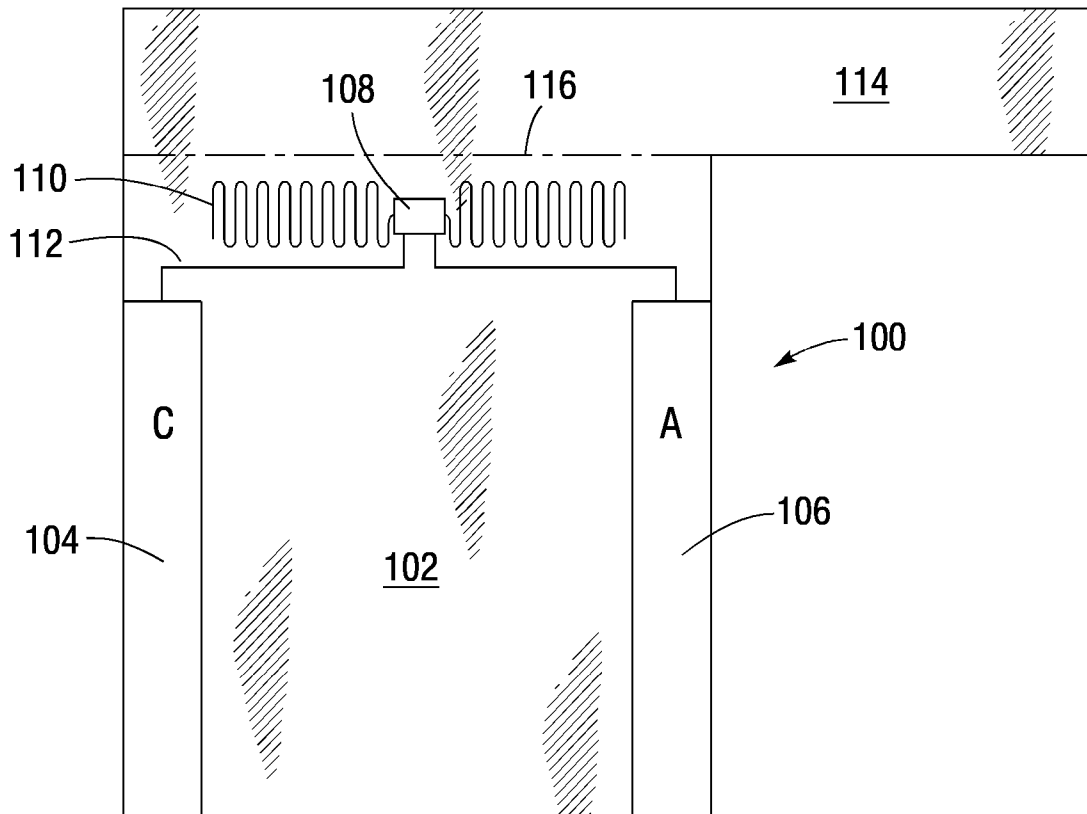
**FIG. 5B**



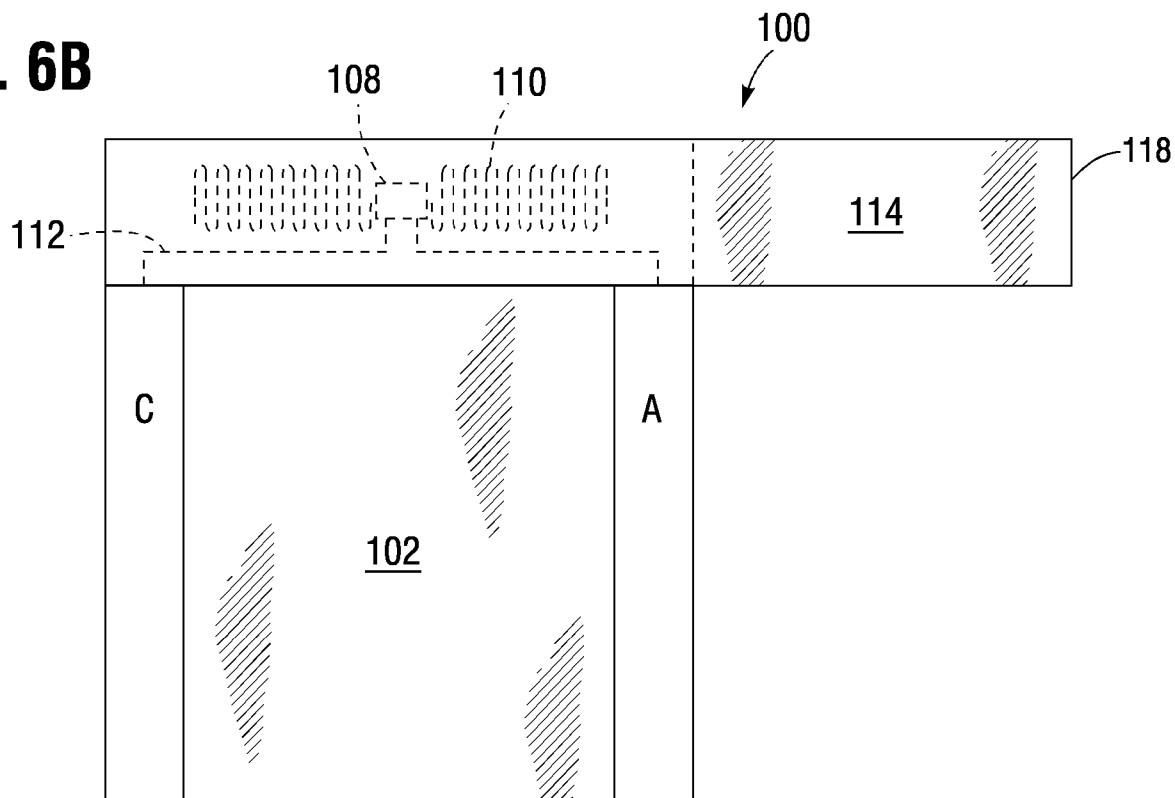
**FIG. 5C**

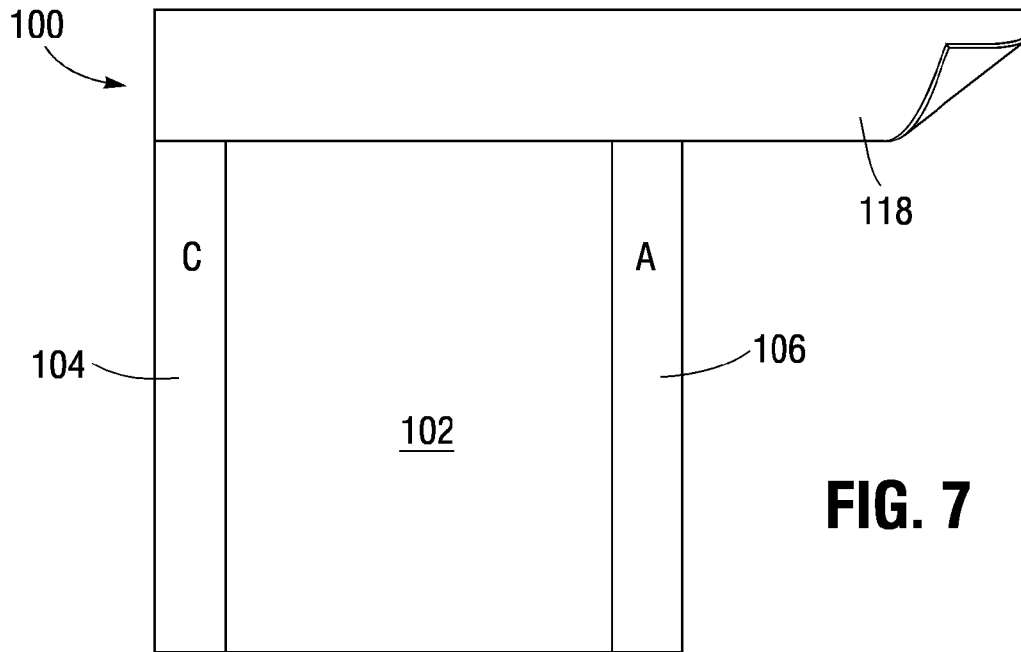


**FIG. 6A**



**FIG. 6B**





**FIG. 7**



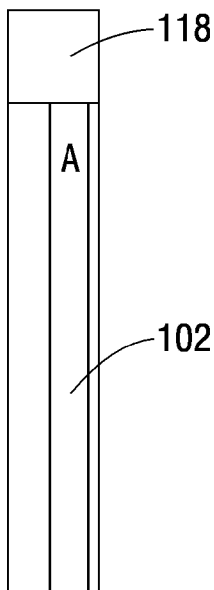
**FIG. 8A**



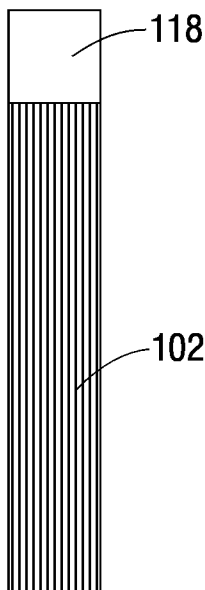
**FIG. 9A**



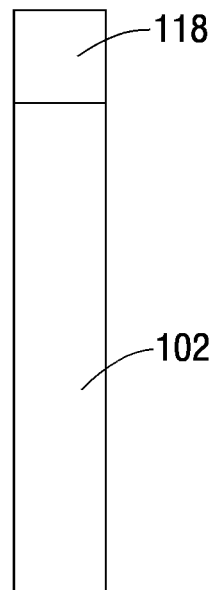
**FIG. 10A**



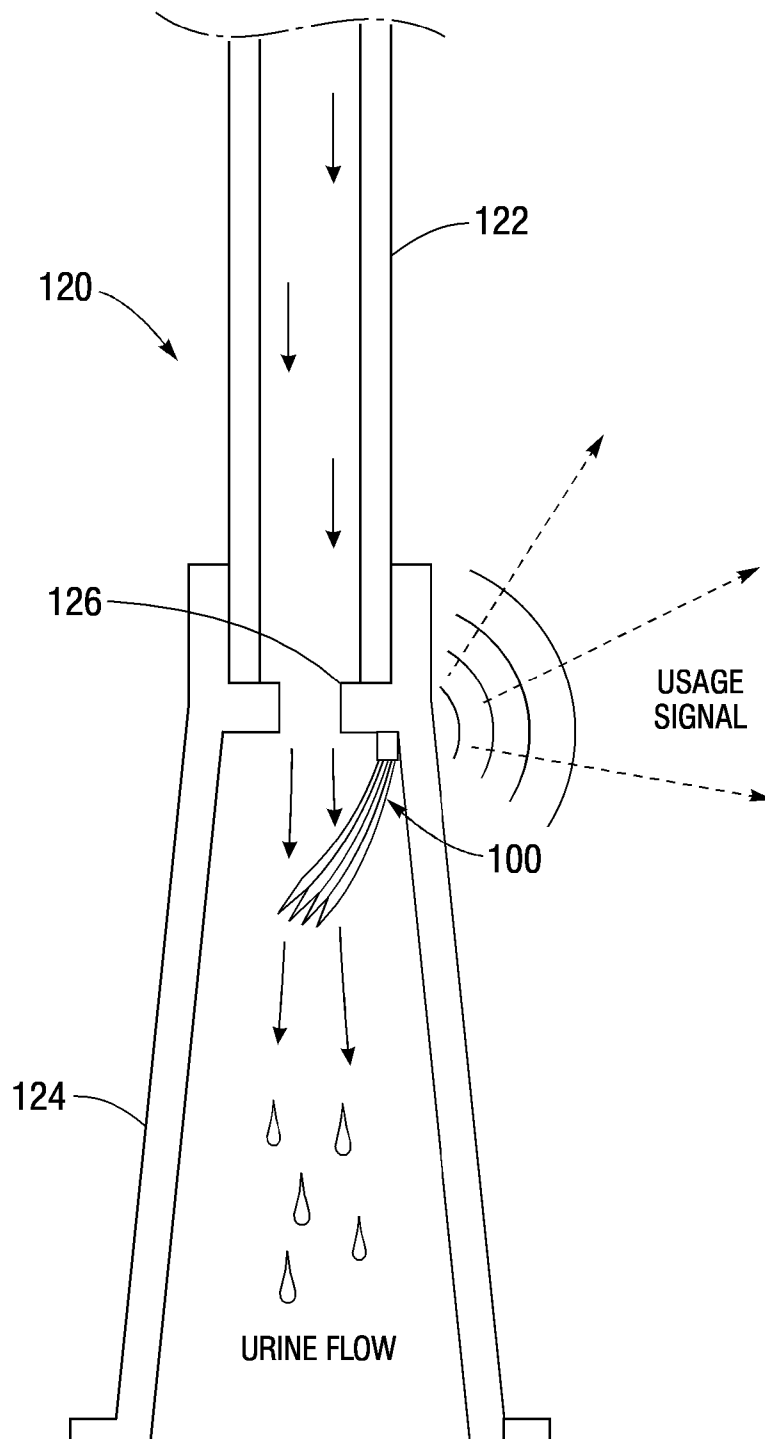
**FIG. 8B**



**FIG. 9B**



**FIG. 10B**



**FIG. 11**

URINE

