



(51) International Patent Classification:

C04B 28/02 (2006.01) *B28B 1/52* (2006.01)
C04B 28/04 (2006.01) *B28B 11/12* (2006.01)
E04F 15/10 (2006.01) *C04B 111/60* (2006.01)

(21) International Application Number:

PCT/EP2017/060833

(22) International Filing Date:

05 May 2017 (05.05.2017)

(25) Filing Language:

English

(26) Publication Language:

English

(30) Priority Data:

16168602.7 06 May 2016 (06.05.2016) EP

(71) Applicant: **SWISSPEARL GROUP AG** [CH/CH]; Eternitstrasse 3, 8837 Niederurnen (CH).

(72) Inventor: **ENDL, Thomas**; Stadtplatz 22a/53, 4840 Vöcklabruck (AT).

(74) Agent: **SCHMITZ, Joseph**; c/o ISLER & PEDRAZZINI AG, Postfach 1772, 8027 Zürich (CH).

(81) Designated States (*unless otherwise indicated, for every kind of national protection available*): AE, AG, AL, AM, AO, AT, AU, AZ, BA, BB, BG, BH, BN, BR, BW, BY, BZ, CA, CH, CL, CN, CO, CR, CU, CZ, DE, DJ, DK, DM, DO, DZ, EC, EE, EG, ES, FI, GB, GD, GE, GH, GM, GT, HN,

HR, HU, ID, IL, IN, IR, IS, JP, KE, KG, KH, KN, KP, KR, KW, KZ, LA, LC, LK, LR, LS, LU, LY, MA, MD, ME, MG, MK, MN, MW, MX, MY, MZ, NA, NG, NI, NO, NZ, OM, PA, PE, PG, PH, PL, PT, QA, RO, RS, RU, RW, SA, SC, SD, SE, SG, SK, SL, SM, ST, SV, SY, TH, TJ, TM, TN, TR, TT, TZ, UA, UG, US, UZ, VC, VN, ZA, ZM, ZW.

(84) Designated States (*unless otherwise indicated, for every kind of regional protection available*): ARIPO (BW, GH, GM, KE, LR, LS, MW, MZ, NA, RW, SD, SL, ST, SZ, TZ, UG, ZM, ZW), Eurasian (AM, AZ, BY, KG, KZ, RU, TJ, TM), European (AL, AT, BE, BG, CH, CY, CZ, DE, DK, EE, ES, FI, FR, GB, GR, HR, HU, IE, IS, IT, LT, LU, LV, MC, MK, MT, NL, NO, PL, PT, RO, RS, SE, SI, SK, SM, TR), OAPI (BF, BJ, CF, CG, CI, CM, GA, GN, GQ, GW, KM, ML, MR, NE, SN, TD, TG).

Published:

- with international search report (Art. 21(3))
- before the expiration of the time limit for amending the claims and to be republished in the event of receipt of amendments (Rule 48.2(h))

(88) Date of publication of the international search report:

28 December 2017 (28.12.2017)

(54) Title: COMPOSITIONS FOR THE MANUFACTURE OF FLOORING ELEMENTS

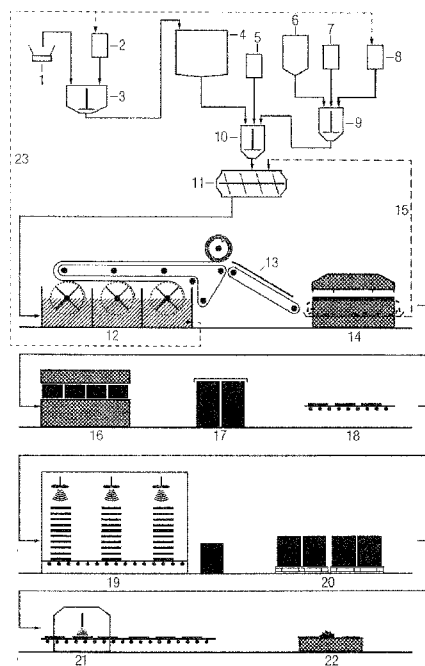


FIG. 1

(57) Abstract: The present invention provides a composition for manufacturing a flooring element comprising cementitious binding material, polymeric fibres, cellulosic fibres, and fibrous processing aid, as well as a process for manufacturing such flooring elements.



INTERNATIONAL SEARCH REPORT

International application No
PCT/EP2017/060833

A. CLASSIFICATION OF SUBJECT MATTER
 INV. C04B28/02 C04B28/04 E04F15/10 B28B1/52 B28B11/12
 ADD. C04B111/60

According to International Patent Classification (IPC) or to both national classification and IPC

B. FIELDS SEARCHED

Minimum documentation searched (classification system followed by classification symbols)
 C04B B28B E04F

Documentation searched other than minimum documentation to the extent that such documents are included in the fields searched

Electronic data base consulted during the international search (name of data base and, where practicable, search terms used)
 EPO-Internal, WPI Data

C. DOCUMENTS CONSIDERED TO BE RELEVANT

Category*	Citation of document, with indication, where appropriate, of the relevant passages	Relevant to claim No.
X	EP 2 172 434 A1 (REDCO SA [BE]) 7 April 2010 (2010-04-07)	1,3-7
Y	paragraphs [0001], [0003], [0006], [0010], [0019], [0020], [0025] - [0030]; examples	16
X	FR 2 860 511 A1 (SAINT GOBAIN MAT CONSTR SAS [FR]) 8 April 2005 (2005-04-08) page 3, lines 3-10 page 2, lines 23-28 page 4, line 30 - page 5, line 3; example 1	1,4
Y	WO 2006/086842 A1 (JAMES HARDIE INT FINANCE BV [NL]; GLEESON JAMES [AU]; DUSELIS STEVEN A) 24 August 2006 (2006-08-24) example 1	16
	----- -/--	

Further documents are listed in the continuation of Box C.

See patent family annex.

* Special categories of cited documents :

"A" document defining the general state of the art which is not considered to be of particular relevance

"E" earlier application or patent but published on or after the international filing date

"L" document which may throw doubts on priority claim(s) or which is cited to establish the publication date of another citation or other special reason (as specified)

"O" document referring to an oral disclosure, use, exhibition or other means

"P" document published prior to the international filing date but later than the priority date claimed

"T" later document published after the international filing date or priority date and not in conflict with the application but cited to understand the principle or theory underlying the invention

"X" document of particular relevance; the claimed invention cannot be considered novel or cannot be considered to involve an inventive step when the document is taken alone

"Y" document of particular relevance; the claimed invention cannot be considered to involve an inventive step when the document is combined with one or more other such documents, such combination being obvious to a person skilled in the art

"&" document member of the same patent family

Date of the actual completion of the international search	Date of mailing of the international search report
10 November 2017	30/11/2017

Name and mailing address of the ISA/ European Patent Office, P.B. 5818 Patentlaan 2 NL - 2280 HV Rijswijk Tel. (+31-70) 340-2040, Fax: (+31-70) 340-3016	Authorized officer Theodoridou, K
--	--

INTERNATIONAL SEARCH REPORT

International application No
PCT/EP2017/060833

C(Continuation). DOCUMENTS CONSIDERED TO BE RELEVANT		
Category*	Citation of document, with indication, where appropriate, of the relevant passages	Relevant to claim No.
X	DE 10 2014 003260 A1 (HÜLSTA WERKE HÜLS GMBH & CO KG [DE]) 3 September 2015 (2015-09-03) paragraphs [0001], [0006], [0013], [0016], [0018], [0020], [0021], [0033], [0035], [0059] - [0067], [0079], [0080]; figures 6-8; examples -----	1-16
A	US 5 795 515 A (FISCHER HANS [CH]) 18 August 1998 (1998-08-18) the whole document -----	1-9
A	US 2010/234491 A1 (KHORRAMI MORTEZA [IR] ET AL) 16 September 2010 (2010-09-16) paragraphs [0011], [0012], [0037]; figure 1 -----	1-9
A	US 2006/147681 A1 (DUBEY ASHISH [US]) 6 July 2006 (2006-07-06) paragraphs [0035], [0040] - [0050] -----	1-9

INTERNATIONAL SEARCH REPORT

International application No.
PCT/EP2017/060833

Box No. II Observations where certain claims were found unsearchable (Continuation of item 2 of first sheet)

This international search report has not been established in respect of certain claims under Article 17(2)(a) for the following reasons:

1. Claims Nos.:
because they relate to subject matter not required to be searched by this Authority, namely:

2. Claims Nos.:
because they relate to parts of the international application that do not comply with the prescribed requirements to such an extent that no meaningful international search can be carried out, specifically:

3. Claims Nos.:
because they are dependent claims and are not drafted in accordance with the second and third sentences of Rule 6.4(a).

Box No. III Observations where unity of invention is lacking (Continuation of item 3 of first sheet)

This International Searching Authority found multiple inventions in this international application, as follows:

see additional sheet

1. As all required additional search fees were timely paid by the applicant, this international search report covers all searchable claims.

2. As all searchable claims could be searched without effort justifying an additional fees, this Authority did not invite payment of additional fees.

3. As only some of the required additional search fees were timely paid by the applicant, this international search report covers only those claims for which fees were paid, specifically claims Nos.:

4. No required additional search fees were timely paid by the applicant. Consequently, this international search report is restricted to the invention first mentioned in the claims; it is covered by claims Nos.:

Remark on Protest

- The additional search fees were accompanied by the applicant's protest and, where applicable, the payment of a protest fee.
- The additional search fees were accompanied by the applicant's protest but the applicable protest fee was not paid within the time limit specified in the invitation.
- No protest accompanied the payment of additional search fees.

FURTHER INFORMATION CONTINUED FROM PCT/ISA/ 210

This International Searching Authority found multiple (groups of) inventions in this international application, as follows:

1. claims: 1-9, 16

Composition comprising cement and fibres, flooring element made from the cured composition and use of the composition

2. claims: 10-15

Interlocking flooring element, multilayer interlocking flooring element and process of manufacturing it

INTERNATIONAL SEARCH REPORT

Information on patent family members

International application No

PCT/EP2017/060833

Patent document cited in search report	Publication date	Patent family member(s)	Publication date	
EP 2172434	A1	07-04-2010	BR PI0920780 A2	22-12-2015
			CO 6351769 A2	20-12-2011
			DK 2172434 T3	01-06-2015
			EP 2172434 A1	07-04-2010
			ES 2537053 T3	02-06-2015
			JP 5770091 B2	26-08-2015
			JP 2012504540 A	23-02-2012
			PE 00722012 A1	23-02-2012
			PT 2172434 E	17-07-2015
			WO 2010037628 A1	08-04-2010

FR 2860511	A1	08-04-2005	CN 1863750 A	15-11-2006
			CO 5670365 A2	31-08-2006
			FR 2860511 A1	08-04-2005
			NZ 546876 A	26-02-2010
			US 2005072056 A1	07-04-2005

WO 2006086842	A1	24-08-2006	CA 2597784 A1	24-08-2006
			CN 101146965 A	19-03-2008
			EP 1856340 A1	21-11-2007
			JP 2008530405 A	07-08-2008
			KR 20070103475 A	23-10-2007
			NZ 561265 A	25-11-2011
			US 2009151283 A1	18-06-2009
			WO 2006086842 A1	24-08-2006

DE 102014003260	A1	03-09-2015	NONE	

US 5795515	A	18-08-1998	AR 002844 A1	29-04-1998
			BR 9603386 A	09-06-1998
			CA 2183467 A1	17-02-1997
			CH 689594 A5	30-06-1999
			CO 4560453 A1	10-02-1998
			MY 116667 A	31-03-2004
			PA 8260001 A1	18-09-1998
			PE 27197 A1	27-08-1997
			SV 1996000067 A	17-02-1997
			US 5795515 A	18-08-1998

US 2010234491	A1	16-09-2010	NONE	

US 2006147681	A1	06-07-2006	AR 052349 A1	14-03-2007
			AU 2005323424 A1	13-07-2006
			BR PI0518526 A2	25-11-2008
			CA 2594067 A1	13-07-2006
			CN 101090815 A	19-12-2007
			EP 1831008 A2	12-09-2007
			JP 2008526665 A	24-07-2008
			JP 2013173674 A	05-09-2013
			MY 140180 A	30-11-2009
			NZ 555837 A	29-10-2010
			TW I404697 B	11-08-2013
			US 2006147681 A1	06-07-2006
			WO 2006073540 A2	13-07-2006
