

(12) **United States Design Patent** (10) **Patent No.:** **US D970,448 S**
Zhou (45) **Date of Patent:** **** Nov. 22, 2022**

(54) **SOCKET**

(71) Applicant: **Xiaoqin Zhou**, Jurong (CN)
 (72) Inventor: **Xiaoqin Zhou**, Jurong (CN)
 (**) Term: **15 Years**
 (21) Appl. No.: **29/837,880**
 (22) Filed: **May 9, 2022**

Related U.S. Application Data

(62) Division of application No. 29/798,249, filed on Jul. 7, 2021, now Pat. No. Des. 957,342.
 (51) **LOC (13) Cl.** **13-03**
 (52) **U.S. Cl.**
 USPC **D13/137.2**
 (58) **Field of Classification Search**
 USPC D13/137.1, 137.2, 137.3, 137.4, 138.1, D13/138.2, 139.1, 139.2, 139.3, 139.4, D13/139.5, 139.6, 139.7, 139.8; D14/432, 433, 435.1, 438
 CPC H01R 13/11; H01R 13/518; H01R 13/642; H01R 13/652; H01R 13/20; H01R 13/26; H01R 13/434; H01R 13/625; H01R 25/003; H01R 25/006; H01R 43/26; H01H 71/62; H01H 73/14
 See application file for complete search history.

(56) **References Cited**

U.S. PATENT DOCUMENTS

D644,180 S * 8/2011 Lee D13/139.8
 D673,503 S * 1/2013 Lee D13/139.8
 D705,732 S * 5/2014 Lee D13/137.2
 (Continued)

FOREIGN PATENT DOCUMENTS

CN 305595095 * 2/2020
 GB 1039229 * 10/1987
 (Continued)

OTHER PUBLICATIONS

“Outlet Extender—Wall Surge Protector with 6 Outlets 3 USB (1 USB C, 2 USB A), Multi Plug Outlet Splitter, Wall Mount Adapter with Top Phone Holder for Home, School, Office (490 Joules)”, first available Aug. 18, 2019. Amazon.com [https://www.amazon.com/dp/B07WR4PXLX] (Year: 2019).*

(Continued)

Primary Examiner — Rosemary K Tarcza
Assistant Examiner — Seth David Kumpf

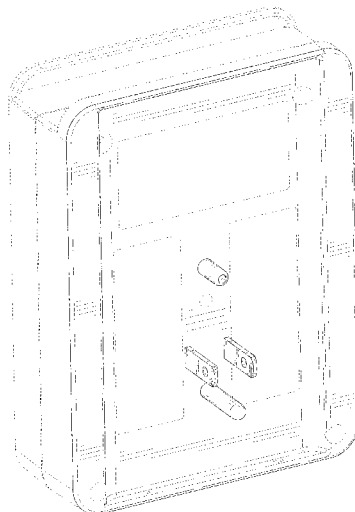
(57) **CLAIM**

The ornamental design for a socket, as shown and described.

DESCRIPTION

FIG. 1 is a perspective view of a first embodiment of a socket showing my new design;
 FIG. 2 is another perspective view thereof;
 FIG. 3 is a front elevational view thereof;
 FIG. 4 is a rear elevational view thereof;
 FIG. 5 is a left side elevational view thereof;
 FIG. 6 is a right side elevational view thereof;
 FIG. 7 is a top plan view thereof;
 FIG. 8 is a bottom plan view thereof;
 FIG. 9 is a perspective view of a second embodiment of the socket;
 FIG. 10 is another perspective view thereof;
 FIG. 11 is a front elevational view thereof;
 FIG. 12 is a rear elevational view thereof;
 FIG. 13 is a left side elevational view thereof;
 FIG. 14 is a right side elevational view thereof;
 FIG. 15 is a top plan view thereof; and,
 FIG. 16 is a bottom plan view thereof.
 The broken lines shown in the drawings are for the purpose of illustrating portions of the socket that form no part of the claimed design.

1 Claim, 16 Drawing Sheets



(56)

References Cited

U.S. PATENT DOCUMENTS

D770,976	S	*	11/2016	Xu	D13/110
D796,445	S	*	9/2017	Xu	D13/139.6
D858,448	S		9/2019	Zhou		
D871,344	S	*	12/2019	Lyu	D13/139.8
D878,299	S	*	3/2020	Lyu	D13/139.8
D878,300	S	*	3/2020	Lyu	D13/139.8
D881,809	S	*	4/2020	Lyu	D13/137.2
D881,821	S	*	4/2020	Lyu	D13/139.8
D886,064	S		6/2020	Chen		
D886,742	S	*	6/2020	Lyu	D13/137.2
D899,375	S	*	10/2020	Bao	D13/137.2
D900,748	S	*	11/2020	Chen	D13/137.2
D908,631	S	*	1/2021	Yu	D13/137.2
D922,953	S	*	6/2021	Mei	D13/139.8
D922,954	S	*	6/2021	Mei	D13/139.8
D922,955	S	*	6/2021	Chen	D13/139.8
D924,809	S	*	7/2021	Chen	D13/137.2
D930,946	S	*	9/2021	Chen	D1/100
D941,774	S	*	1/2022	Tao	D13/139.6
D944,741	S	*	3/2022	Chen	D13/137.2
D947,781	S	*	4/2022	Wei	D13/137.2
D948,451	S	*	4/2022	Wang	D13/139.8
D948,452	S	*	4/2022	Wu	D13/139.8
D954,650	S	*	6/2022	Amoss	D13/137.2
D957,342	S	*	7/2022	Zhou	D13/137.2
D958,082	S	*	7/2022	Lin	D13/139.7

FOREIGN PATENT DOCUMENTS

GB	6097887	*	8/2020
GB	6097888	*	8/2020
GB	6097889	*	8/2020
GB	6115167	*	9/2020

OTHER PUBLICATIONS

“Multi Plug Outlet, Surge Protector, ANHAORUI Outlet Splitter with 6 Outlet Extender and 3 USB Ports (White)”, first available Oct. 8, 2020. Amazon.com [<https://www.amazon.com/dp/B08KVV473Z>] (Year: 2020).*

“Multi Plug Outlet, Outlet Splitter, POWSAV Surge Protector Wall Mount with 12-Outlet Extender and 3 USB Ports(Smart 3.4A Total) for Home, Office, Dorm Essentials, Hotel, White, ETL Listed”, first available Mar. 31, 2020. Amazon.com [<https://www.amazon.com/dp/B086L4R9KZ>] (Year: 2020).*

“Multi Plug Outlet—Addtam Surge Protector Wall Mount with 12 Outlet Extender—3 Sides and 3 USB Ports (1 USB-C), Outlet Splitter Power Strip for Home, Office, Hotel, White”, first available Feb. 26, 2021. Amazon.com [<https://www.amazon.com/dp/B08XMJQQ1F>] (Year: 2021).*

* cited by examiner

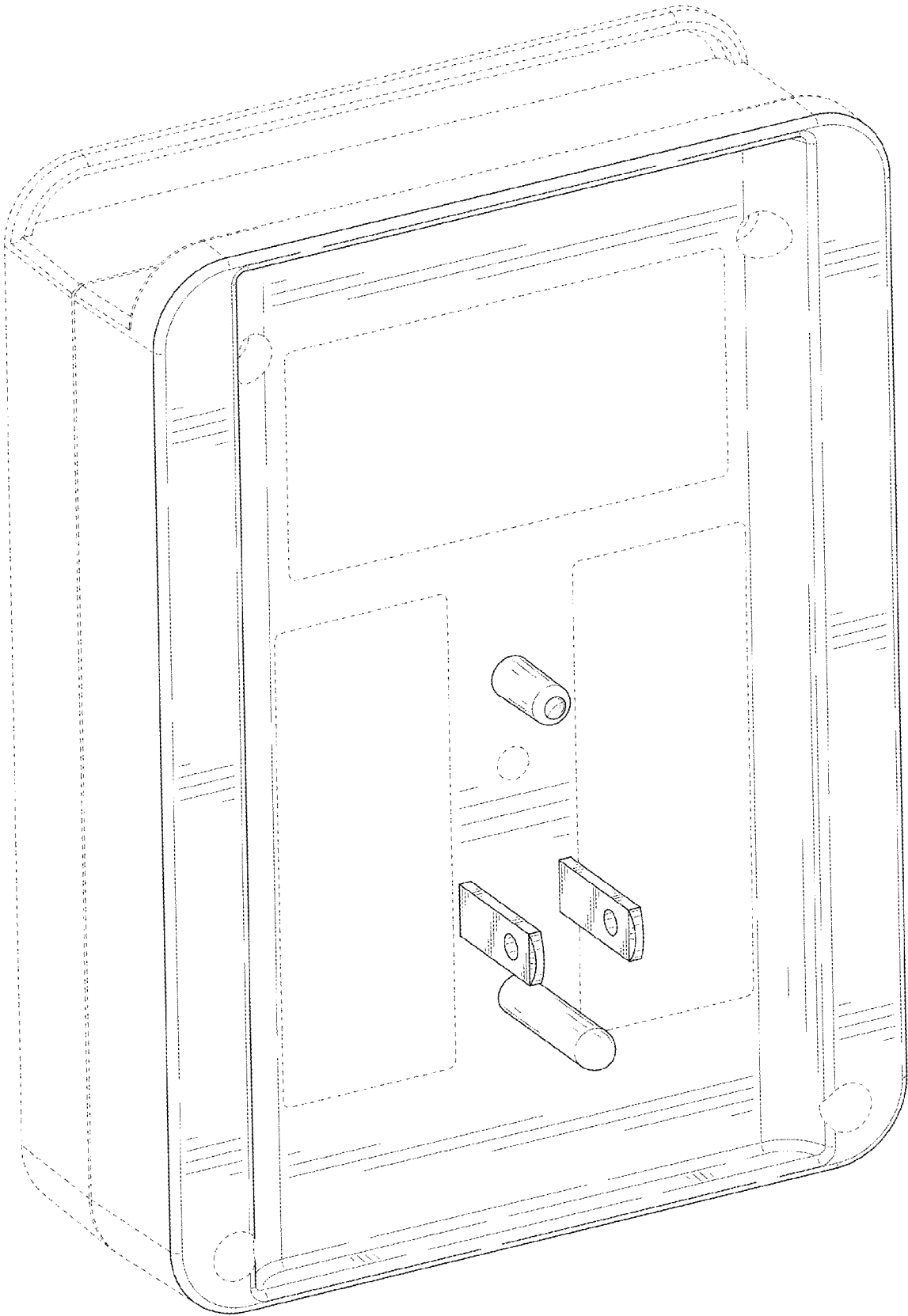


FIG. 1

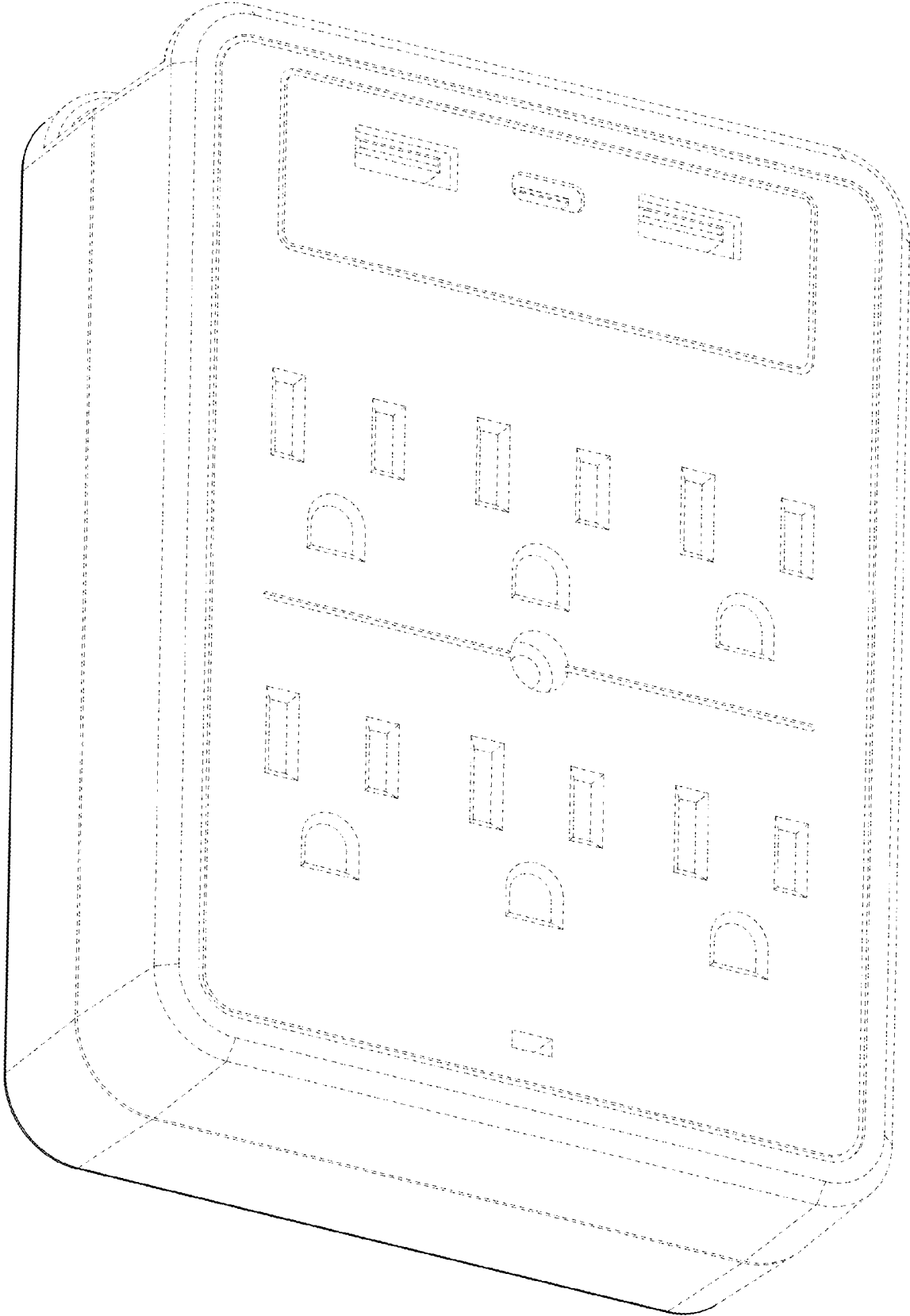


FIG. 2

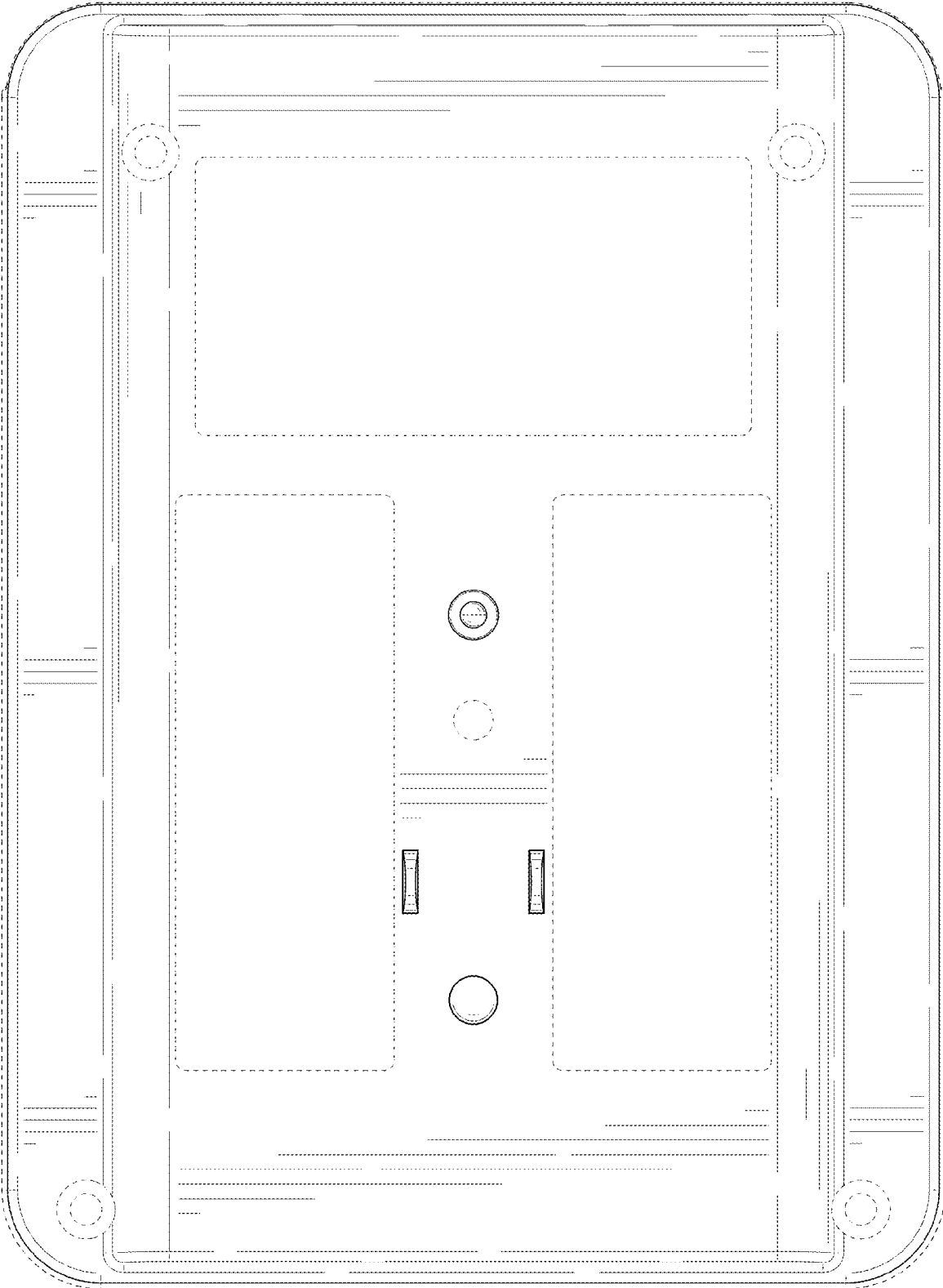


FIG. 3

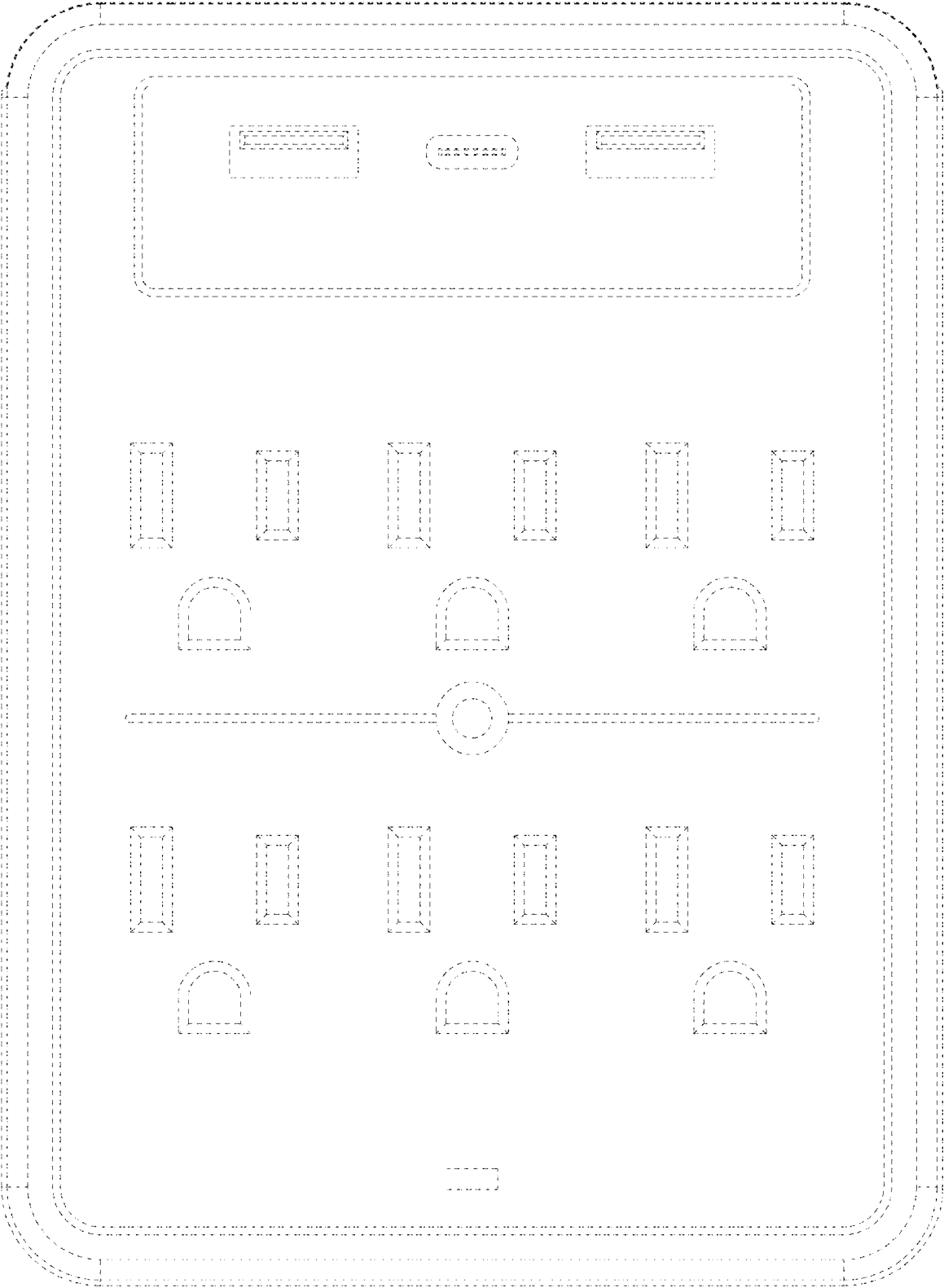


FIG. 4

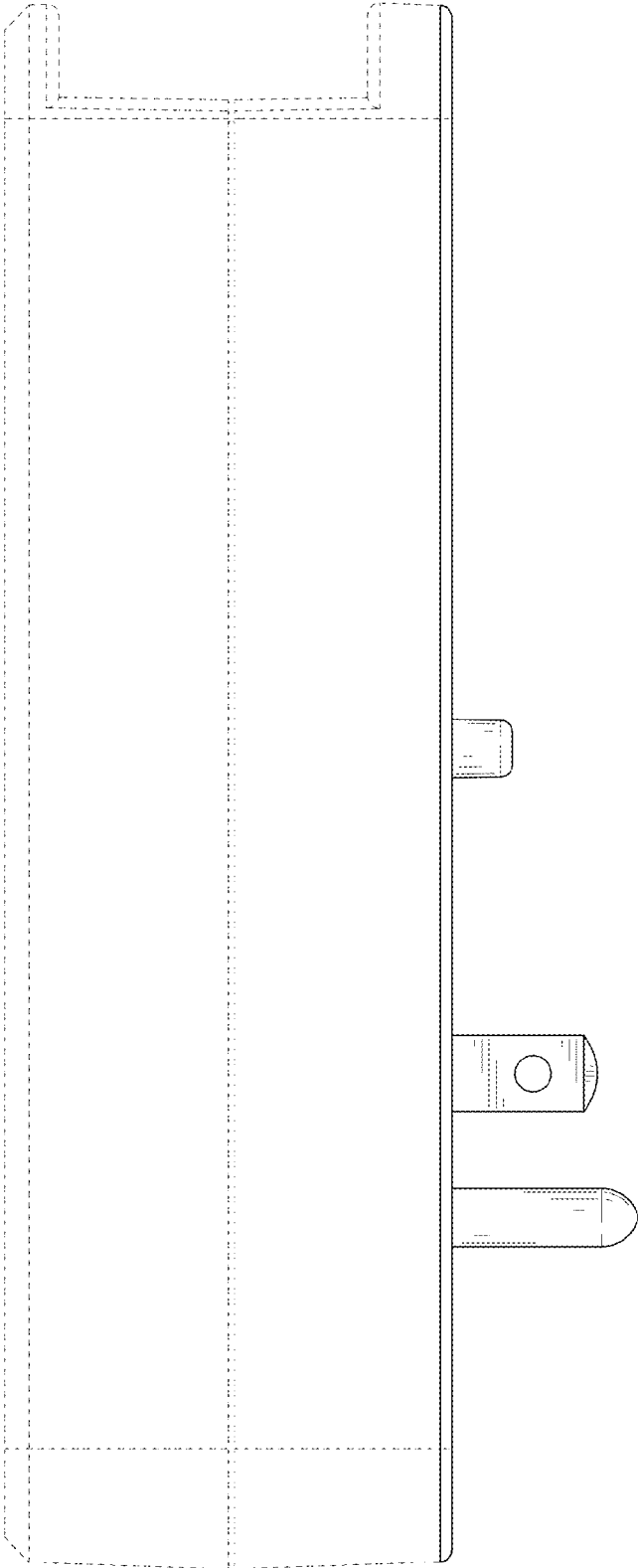


FIG. 5

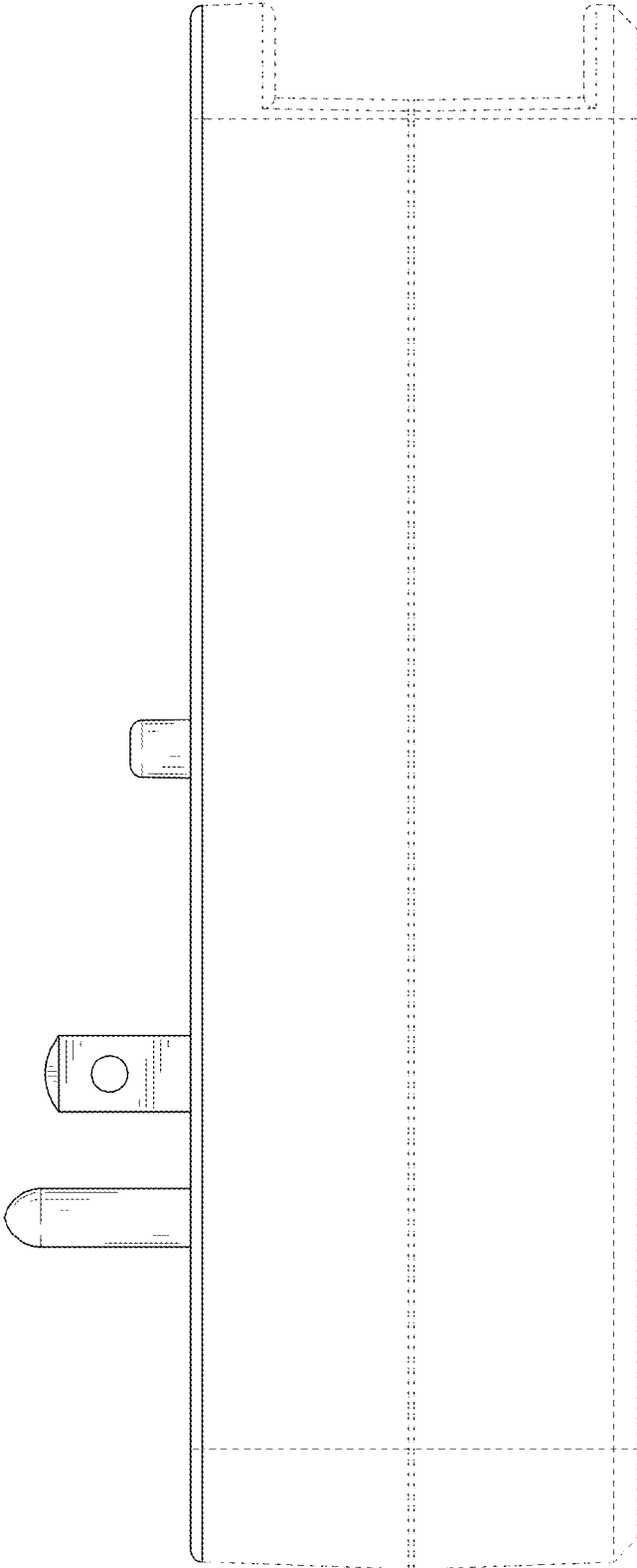


FIG. 6

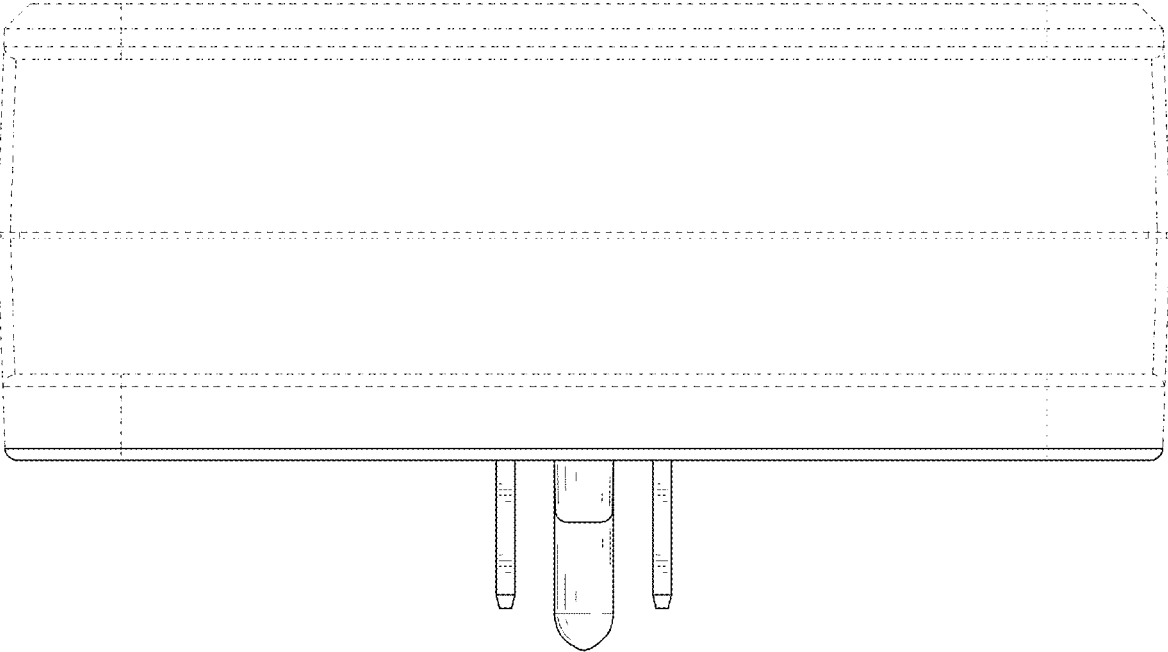


FIG. 7

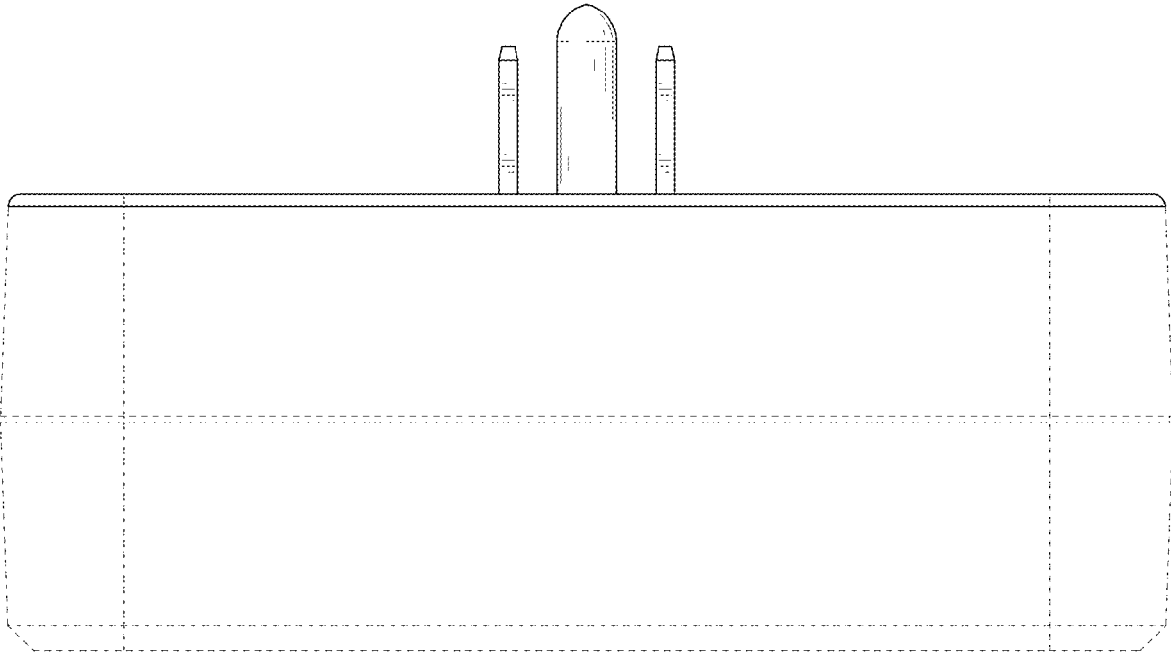


FIG. 8

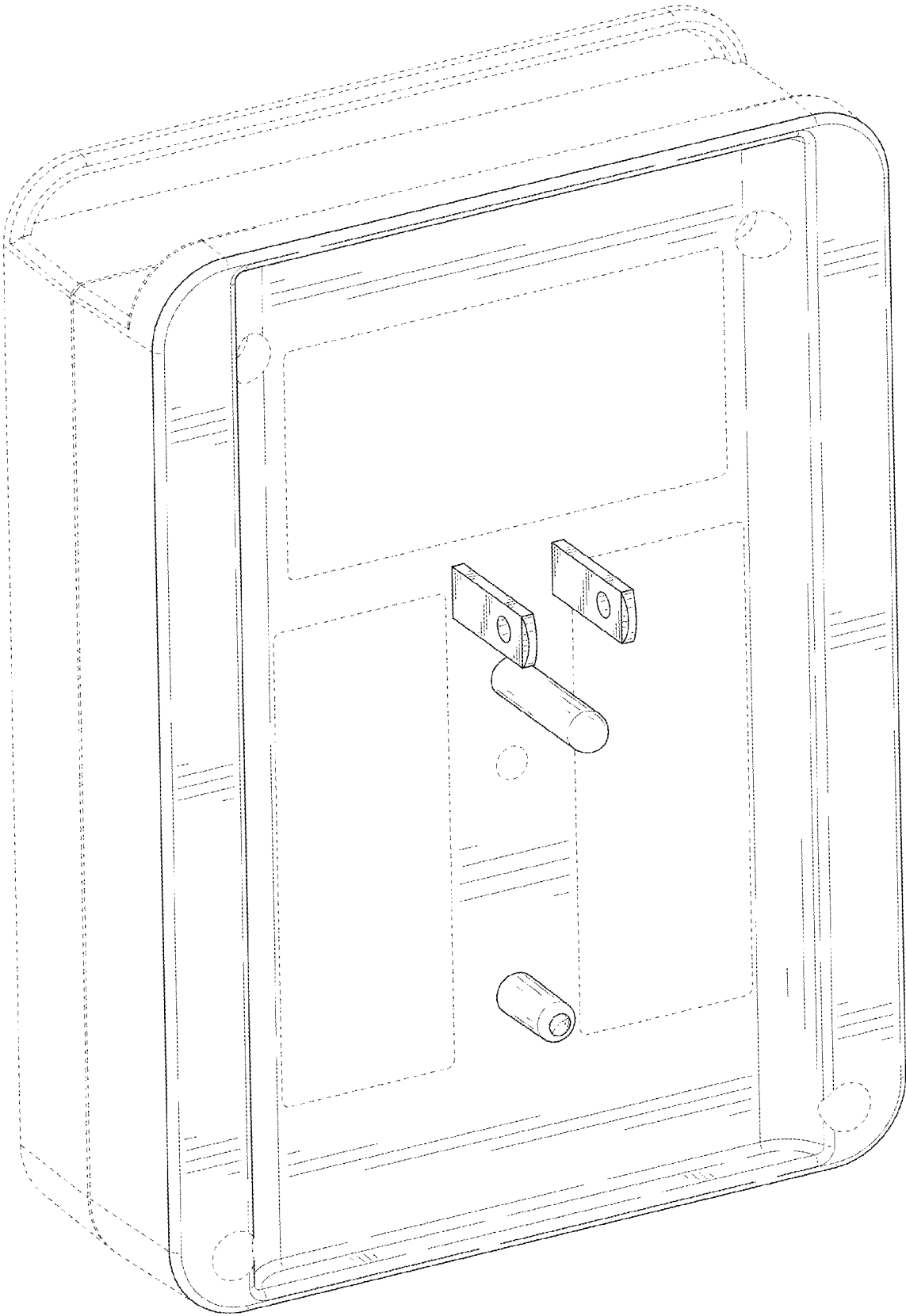


FIG. 9

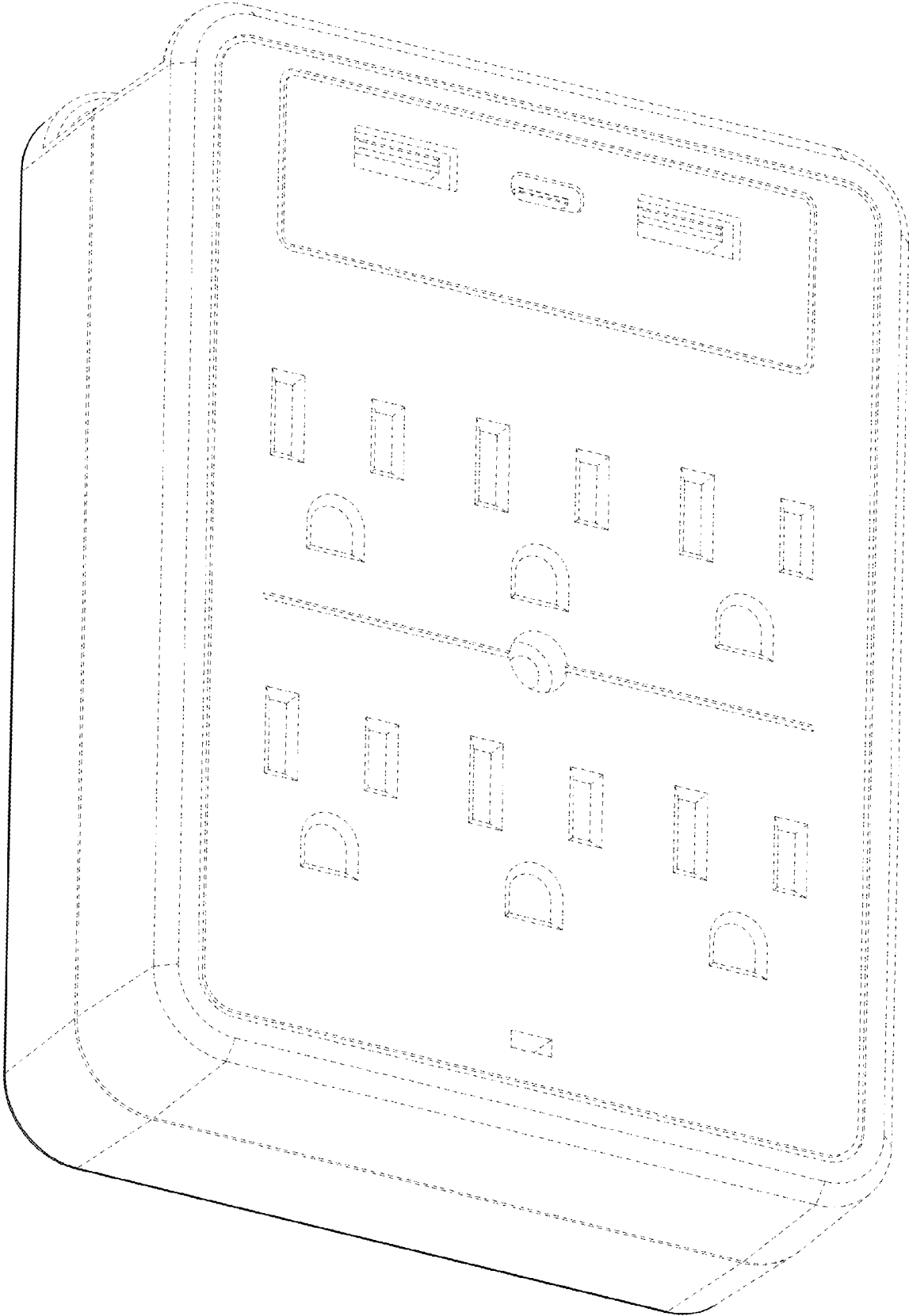


FIG. 10

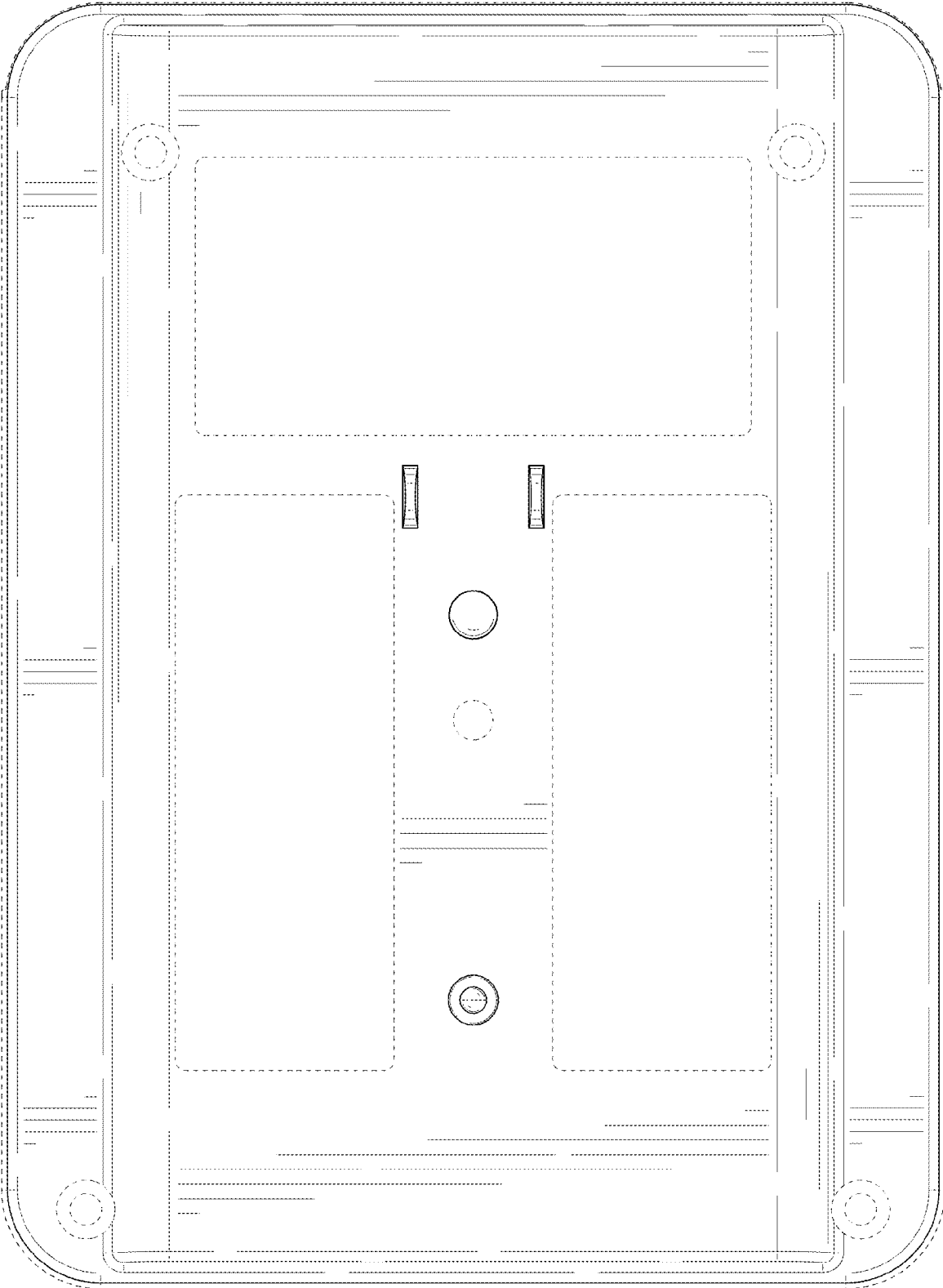


FIG. 11

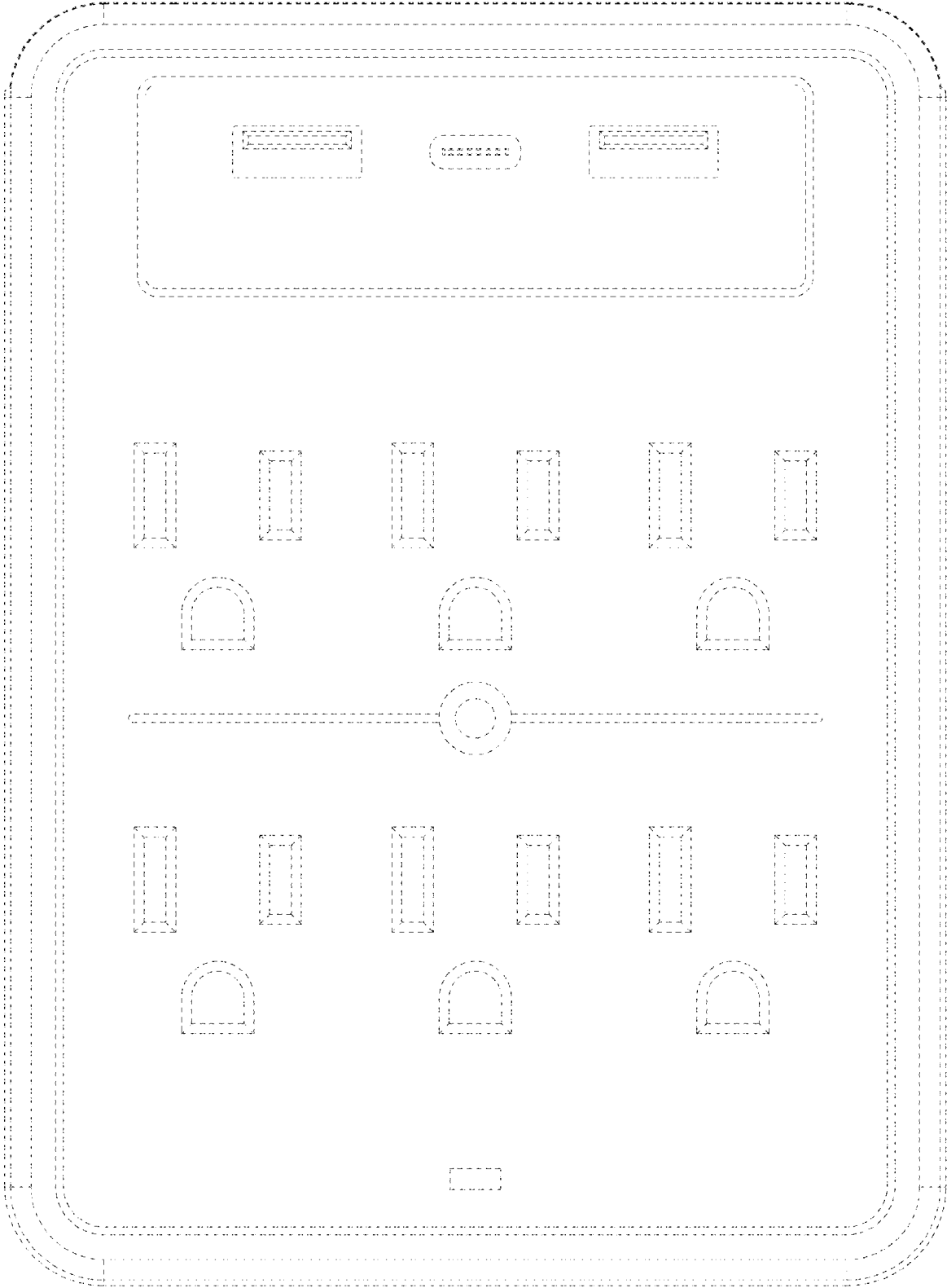


FIG. 12

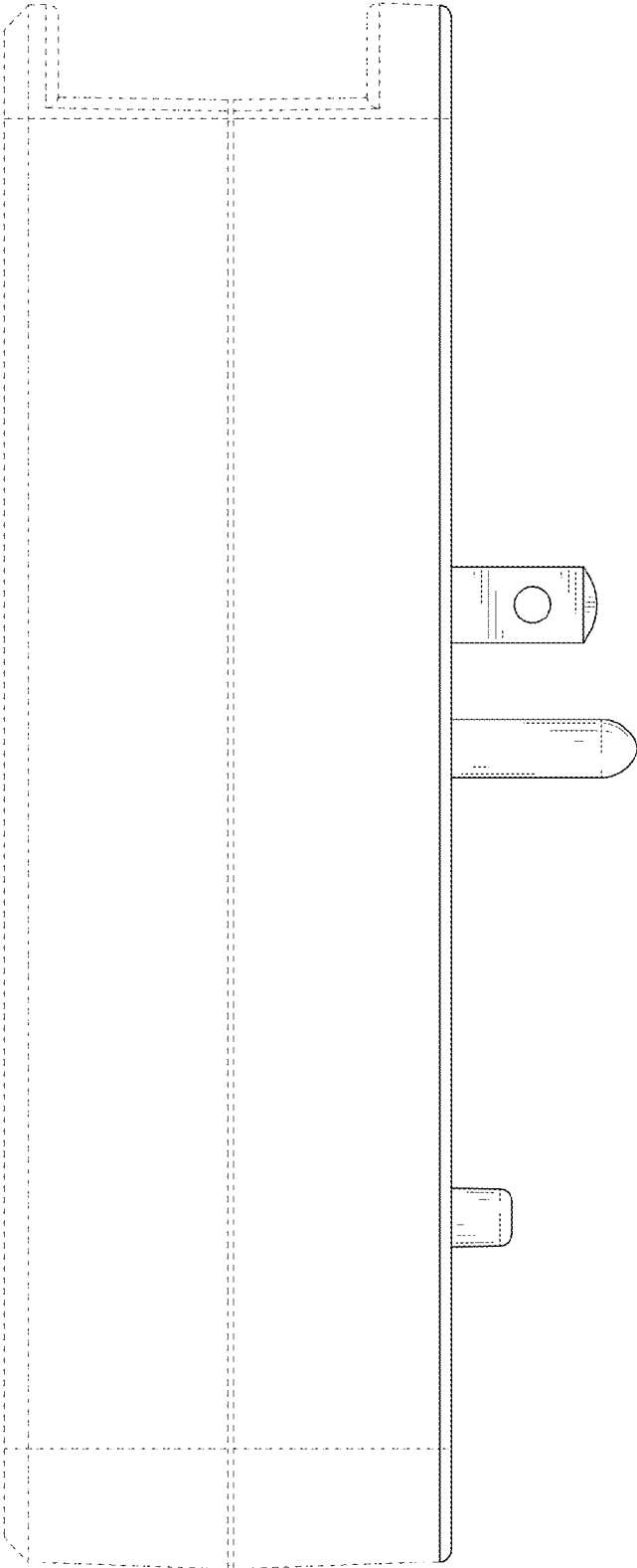


FIG. 13

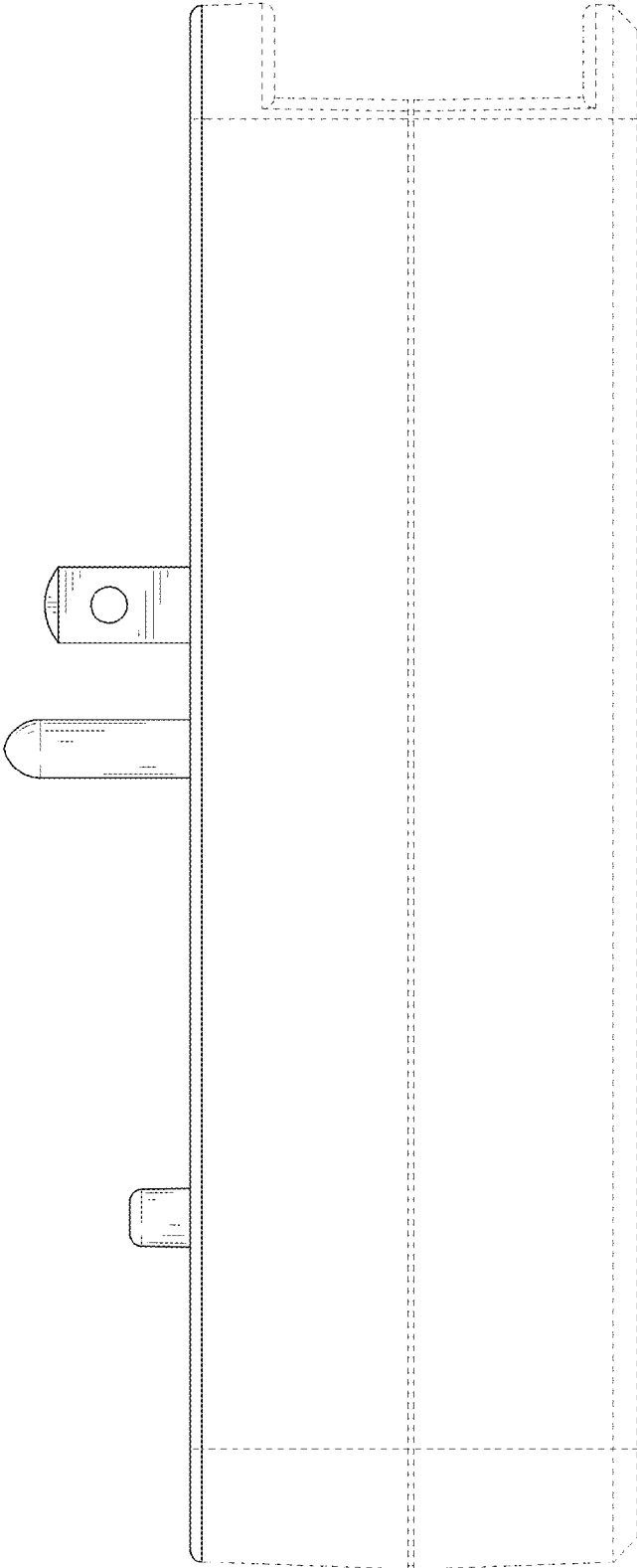


FIG. 14

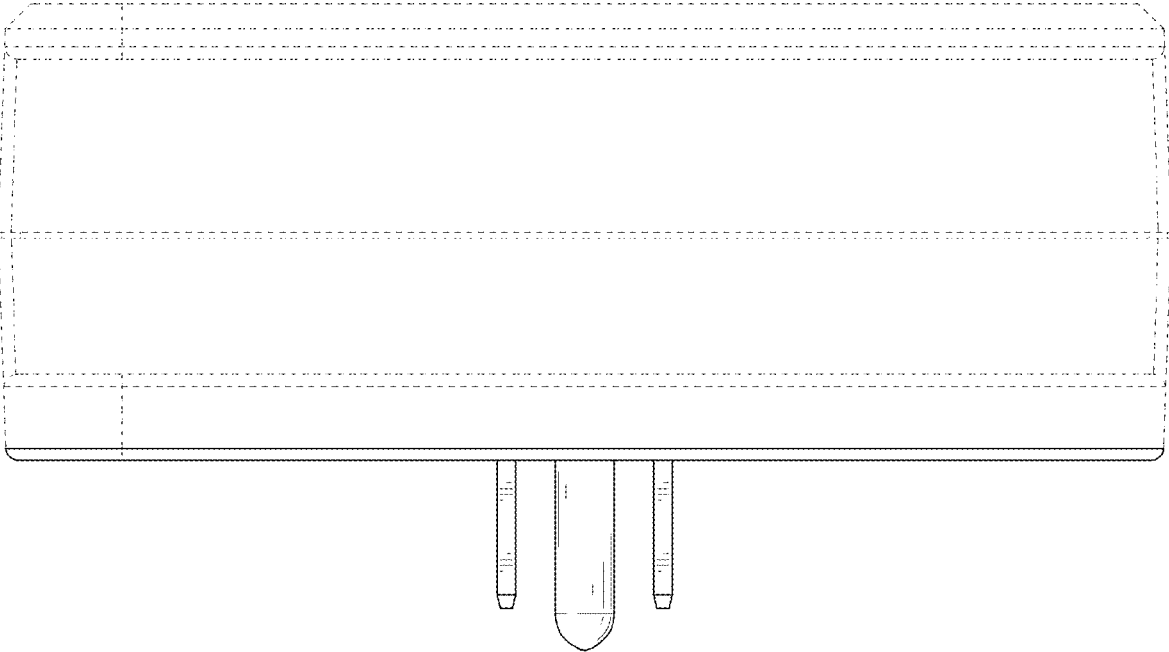


FIG. 15

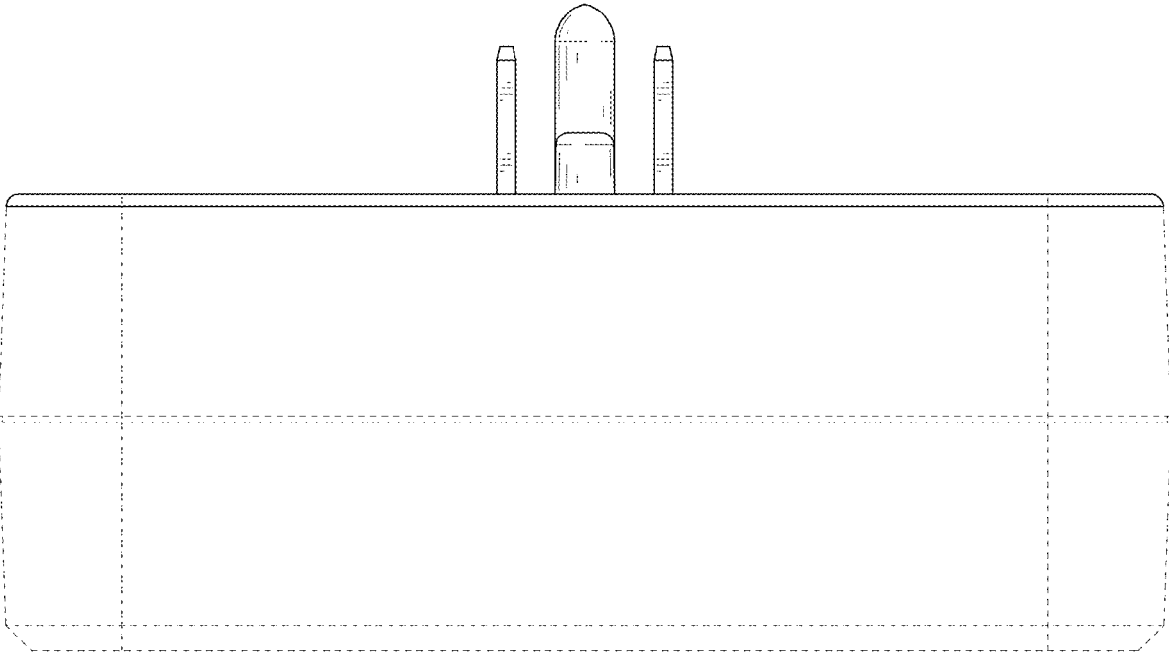


FIG. 16