



US00D763072S

(12) **United States Design Patent**  
**Morgan et al.**

(10) **Patent No.:** **US D763,072 S**

(45) **Date of Patent:** **\*\* Aug. 9, 2016**

(54) **CONTAINER**

(71) Applicant: **Reckitt Benckiser (Brands) Limited,**  
Berkshire (GB)

(72) Inventors: **Darren Morgan,** Berkshire (GB); **Piotr Zaborniak,** Hull (GB); **Billy Zhao,** Qingdao (CN); **Teun Van Wetten,** Eindhoven (NL)

(73) Assignee: **RECKITT BENCKISER (BRANDS) LIMITED,** Berkshire (GB)

(\*\*) Term: **15 Years**

(21) Appl. No.: **29/530,183**

(22) Filed: **Jun. 15, 2015**

(30) **Foreign Application Priority Data**

Dec. 15, 2014 (EM) ..... 002597625-0002

(51) **LOC (10) Cl.** ..... **09-03**

(52) **U.S. Cl.**  
USPC ..... **D9/428**

(58) **Field of Classification Search**  
USPC ..... D9/429, 434, 435, 443-450, 452, 454, D9/499, 553, 554, 559, 561; D7/387, 392, D7/393, 396.2, 396.4, 509, 510, 511, 514; D3/202, 203.2, 223, 264, 294, 304, 318  
CPC ..... A61J 1/00; A61J 1/1412; B65D 1/00; B65D 1/02; B65D 1/10; B65D 1/46; B65D 2585/56; B65D 2585/545; B65D 41/00; B65D 41/56; B65D 41/62; B65D 47/06; B65D 47/08

See application file for complete search history.

(56) **References Cited**

U.S. PATENT DOCUMENTS

D276,400 S \* 11/1984 Daenen ..... D7/614  
D287,336 S \* 12/1986 Roehrig ..... D3/295

D297,709 S \* 9/1988 Willerup ..... D9/428  
D383,671 S \* 9/1997 Phillips ..... D7/629  
D407,974 S \* 4/1999 Zimmer ..... D9/424  
6,772,904 B1 \* 8/2004 Gilliam ..... B65D 1/10  
220/254.3  
D496,272 S \* 9/2004 Jackson ..... D7/602  
D502,394 S \* 3/2005 Jackson ..... D7/602  
D571,197 S \* 6/2008 Sanfilippo ..... D9/420  
D584,145 S \* 1/2009 Young ..... D9/435  
D592,494 S \* 5/2009 Wichowski ..... D9/414  
D608,193 S \* 1/2010 Sanfilippo ..... D9/420  
7,694,845 B2 \* 4/2010 Tilton ..... B65D 51/20  
220/254.3  
7,775,395 B2 \* 8/2010 Zeiler ..... B65D 43/169  
220/833  
8,011,566 B2 \* 9/2011 Robertson ..... B65D 43/165  
220/833  
D650,662 S \* 12/2011 Shiffer ..... D9/425

(Continued)

*Primary Examiner* — Karen S Acker

*Assistant Examiner* — Wendy Arminio

(74) *Attorney, Agent, or Firm* — Troutman Sanders LLP; Ryan A. Schneider; Troy S. Kleckley

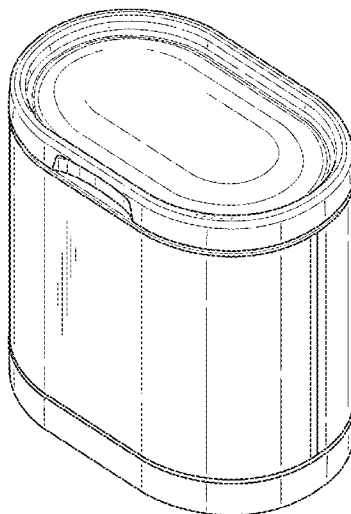
(57) **CLAIM**

The ornamental design for a container, as shown and described.

**DESCRIPTION**

FIG. 1 is an isometric view of a container of the present invention;  
FIG. 2 is a front view of the container of FIG. 1;  
FIG. 3 is a back view of the container of FIG. 1;  
FIG. 4 is a left side view of the container of FIG. 1;  
FIG. 5 is a right side view of the container of FIG. 1;  
FIG. 6 is a top view of the container of FIG. 1; and,  
FIG. 7 is a bottom view of the container of FIG. 1.  
The broken lines in FIGS. 3-7 depict portions of the container that form no part of the claimed design.

**1 Claim, 4 Drawing Sheets**



# US D763,072 S

Page 2

---

(56)

## References Cited

### U.S. PATENT DOCUMENTS

D650,663 S *	12/2011	Shiffer .....	D9/425	D671,830 S *	12/2012	Hudson .....	D9/428
D661,182 S *	6/2012	Noer .....	D9/417	D706,131 S *	6/2014	Brooks .....	D9/428
D669,778 S *	10/2012	Houlton .....	D9/425	D726,021 S *	4/2015	Rathbone .....	D9/420
				2003/0178428 A1 *	9/2003	Chang .....	B65D 53/02 220/378

\* cited by examiner

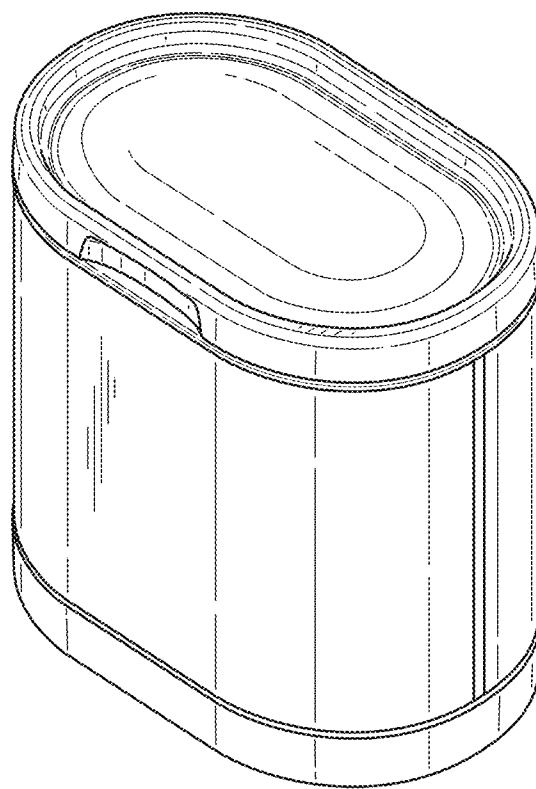


Fig. 1

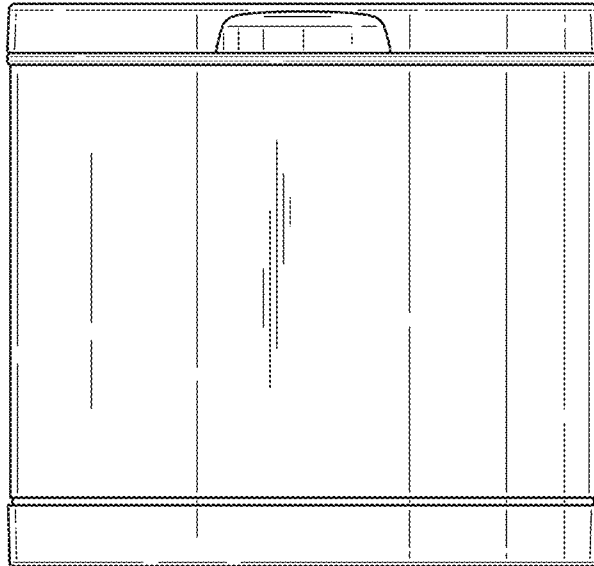


Fig. 2

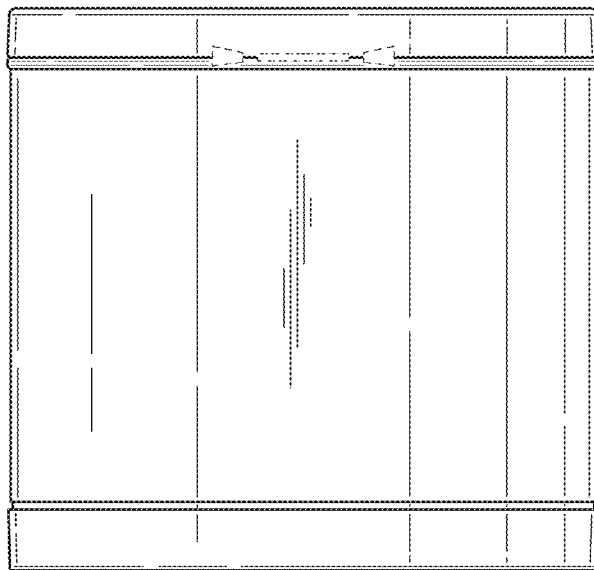


Fig. 3

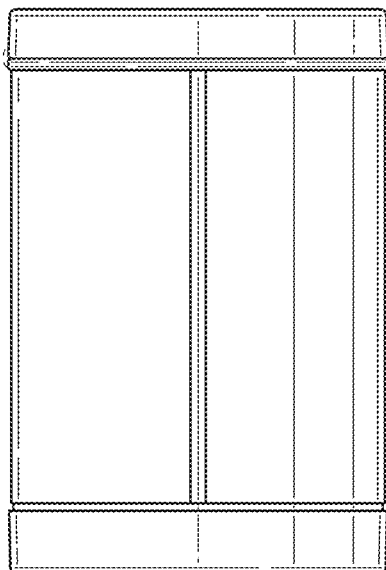


Fig. 4

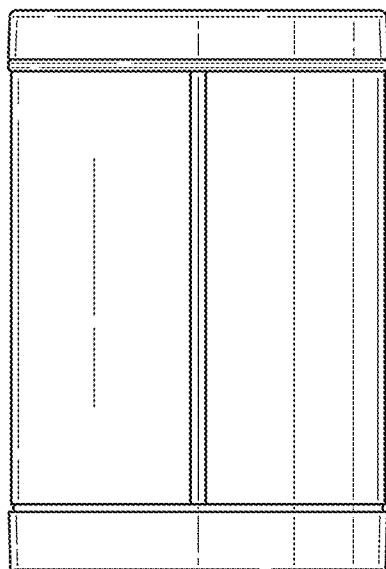


Fig. 5

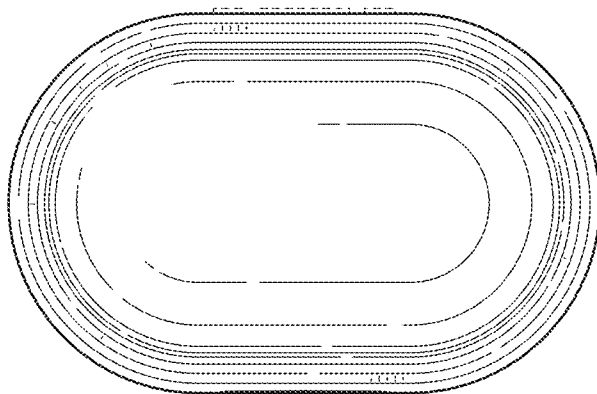


Fig. 6

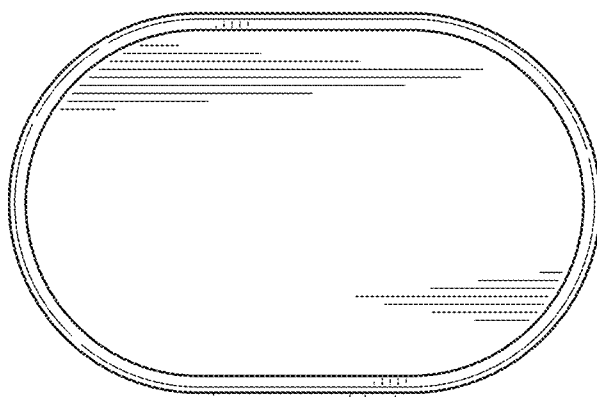


Fig. 7