



US00D940693S

(12) **United States Design Patent**  
**Deng et al.**

(10) **Patent No.:** **US D940,693 S**  
(45) **Date of Patent:** **\*\* Jan. 11, 2022**

(54) **COMBINED MICROPHONE WITH HOLDER**

D864,921 S \* 10/2019 Mai ..... D14/227  
D918,876 S \* 5/2021 Mai ..... D14/227  
D919,604 S \* 5/2021 Mai ..... D14/227

(71) Applicant: **Shenzhen Jiayz Photo Industrial, Ltd, Shenzhen (CN)**

(72) Inventors: **Gang Deng, Shenzhen (CN); Jinshu Hu, Shenzhen (CN)**

(\*\*) Term: **15 Years**

(21) Appl. No.: **29/743,642**

(22) Filed: **Jul. 23, 2020**

(51) **LOC (13) Cl.** ..... **14-01**

(52) **U.S. Cl.**  
USPC ..... **D14/225**

(58) **Field of Classification Search**  
USPC ..... D9/434, 600; D14/150, 154, 155, 158, D14/160, 172, 186, 188, 204, 209.1, 214, D14/218, 221, 224-229, 239, 240, 245, D14/497; D17/99; D19/189; D21/324, D21/331, 332, 513  
CPC ... H04R 1/02; H04R 1/04; H04R 1/08; H04R 1/021; H04R 1/026; H04R 1/46; H04R 1/222; H04R 11/04; H04R 9/08; H04R 17/02; H04R 3/00

See application file for complete search history.

(56) **References Cited**

**U.S. PATENT DOCUMENTS**

D719,140 S \* 12/2014 Sanhui ..... D14/225  
D836,090 S \* 12/2018 Li ..... D14/227  
D842,846 S \* 3/2019 Mai ..... D14/225  
D851,073 S \* 6/2019 Tong ..... D14/227  
D854,521 S \* 7/2019 Sunwoo ..... D14/227

**OTHER PUBLICATIONS**

[BOYA Dual-Capsule Condenser Shotgun Microphone], available in Amazon.com, date first available Nov. 21, 2020 [online], [site visited Oct. 28, 2021]. Available from the internet URL: <https://www.amazon.com/BOYA-Dual-Capsule-Condenser-Microphone-Smartphone/dp/B08JLNMPC7> (Year: 2020).\*

\* cited by examiner

*Primary Examiner* — Khawaja Anwar  
*Assistant Examiner* — Megan Tiana Rakos

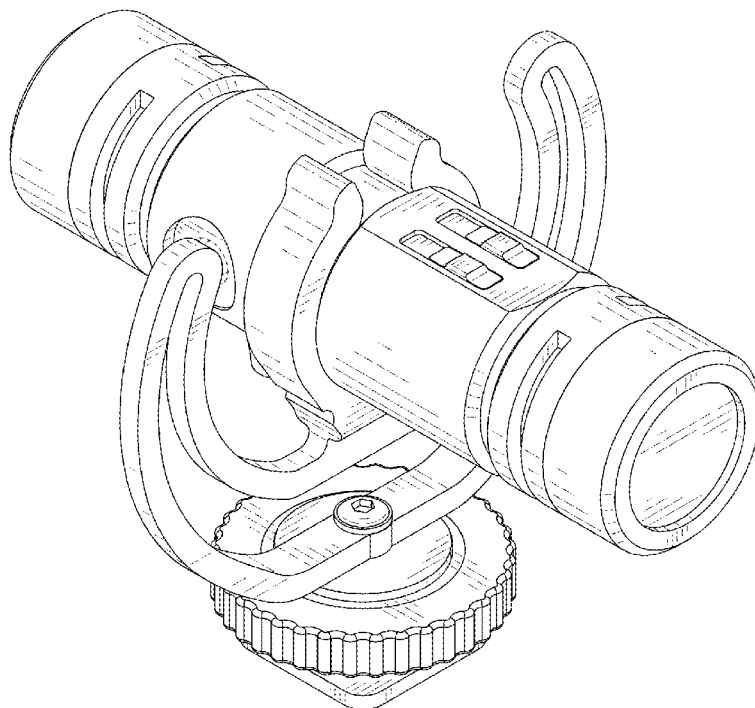
(57) **CLAIM**

The ornamental design for a combined microphone with holder, as shown and described.

**DESCRIPTION**

FIG. 1 is a front elevational view of a combined microphone with holder; showing our new design;  
FIG. 2 is a rear elevational view thereof;  
FIG. 3 is a left side elevational view thereof;  
FIG. 4 is a right side elevational view thereof;  
FIG. 5 is a top plan view thereof;  
FIG. 6 is a bottom plan view thereof.  
FIG. 7 is a front and top perspective view thereof; and,  
FIG. 8 is a rear and bottom perspective view thereof.  
The broken lines in the figures illustrate portions of the article that form no part of the design.

**1 Claim, 8 Drawing Sheets**



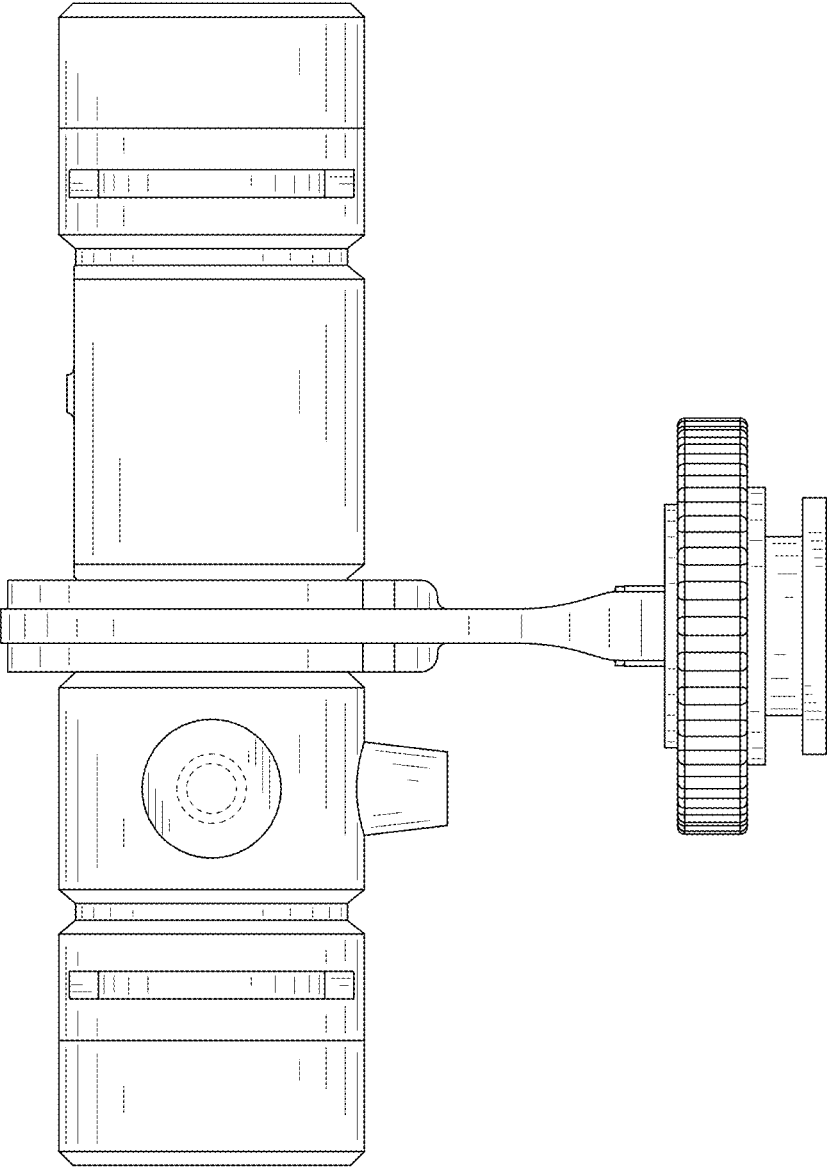


FIG. 1

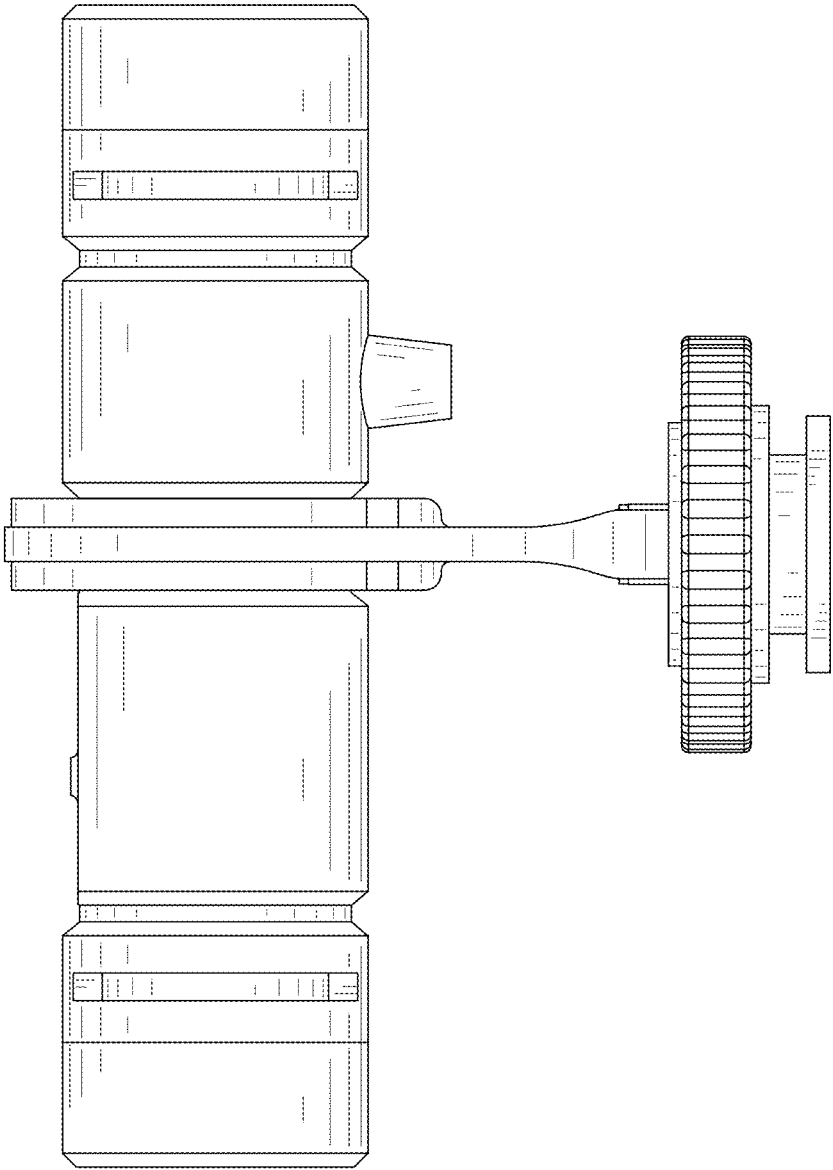


FIG. 2

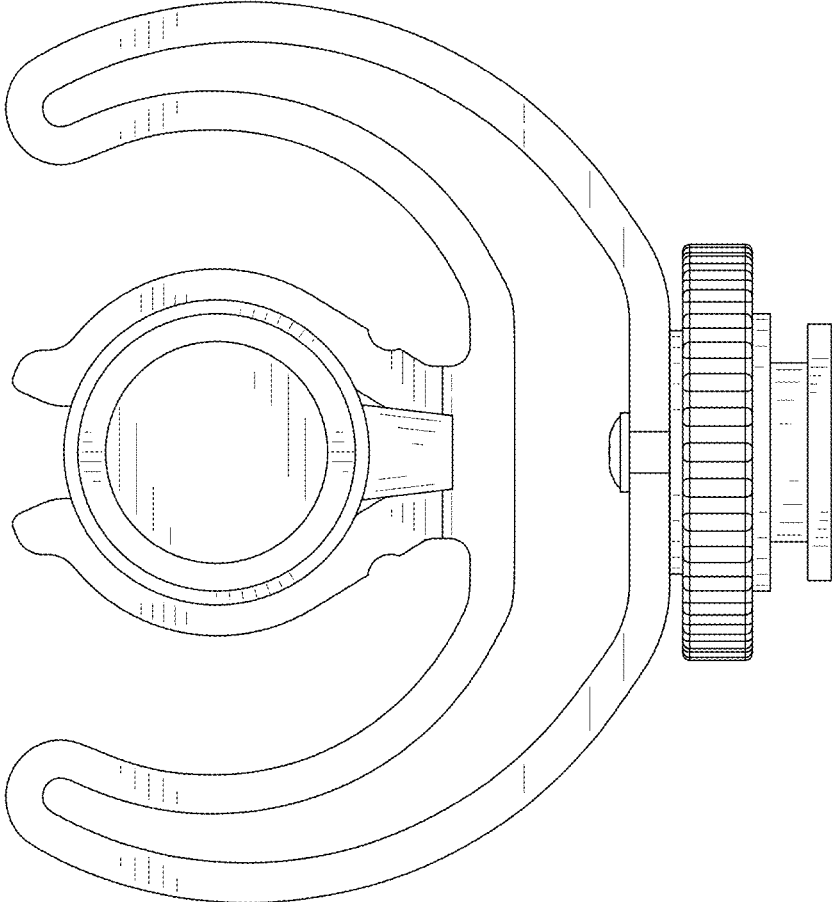


FIG. 3

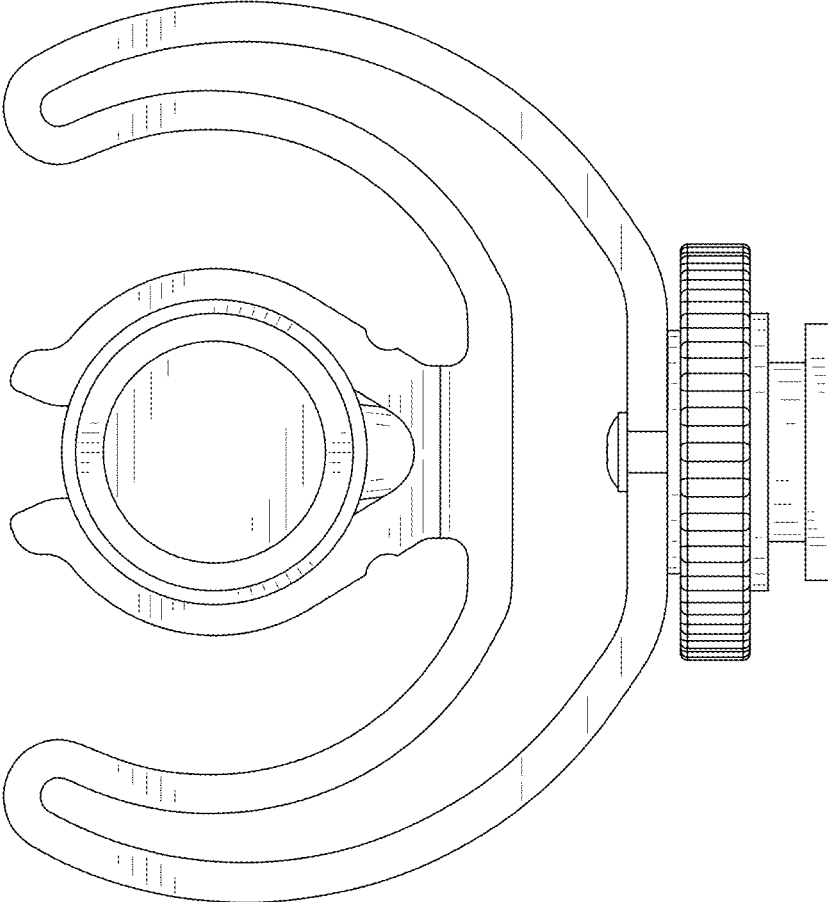


FIG. 4

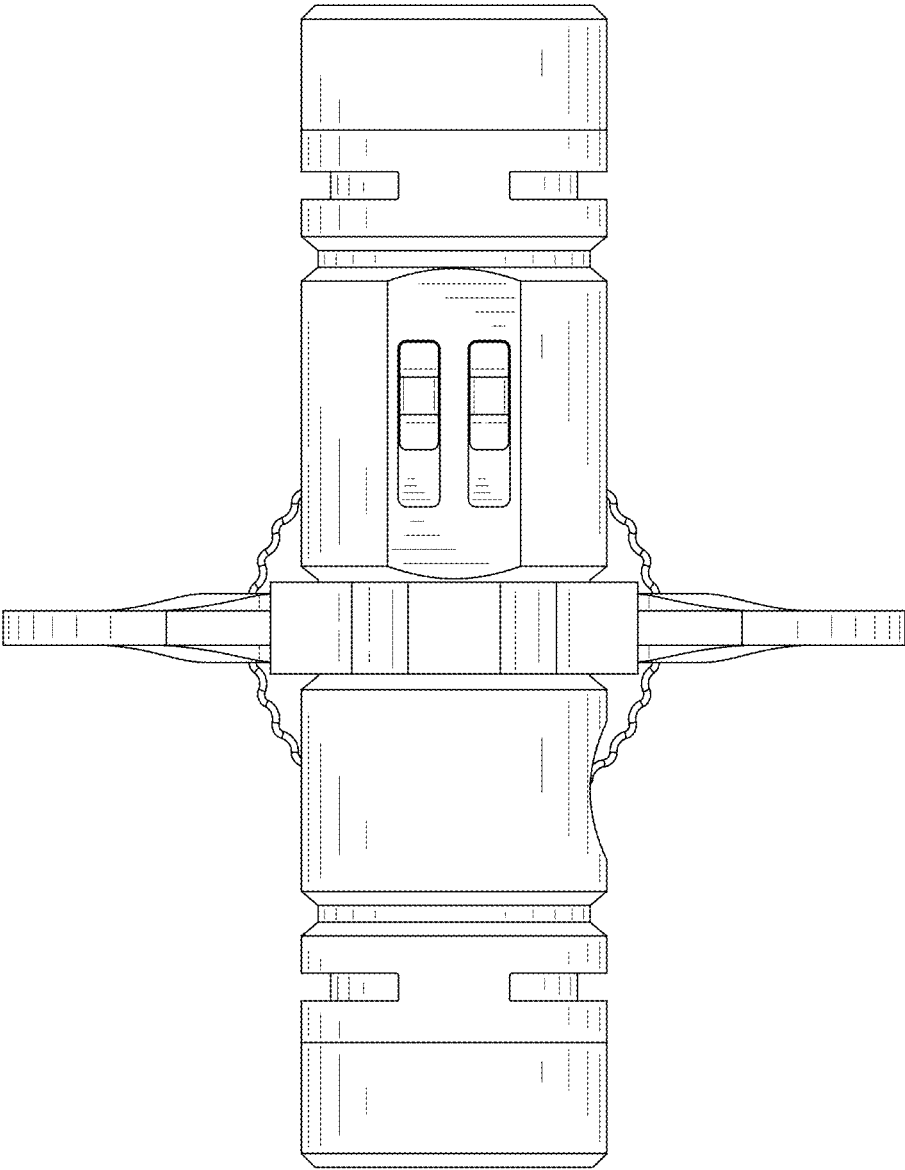


FIG. 5

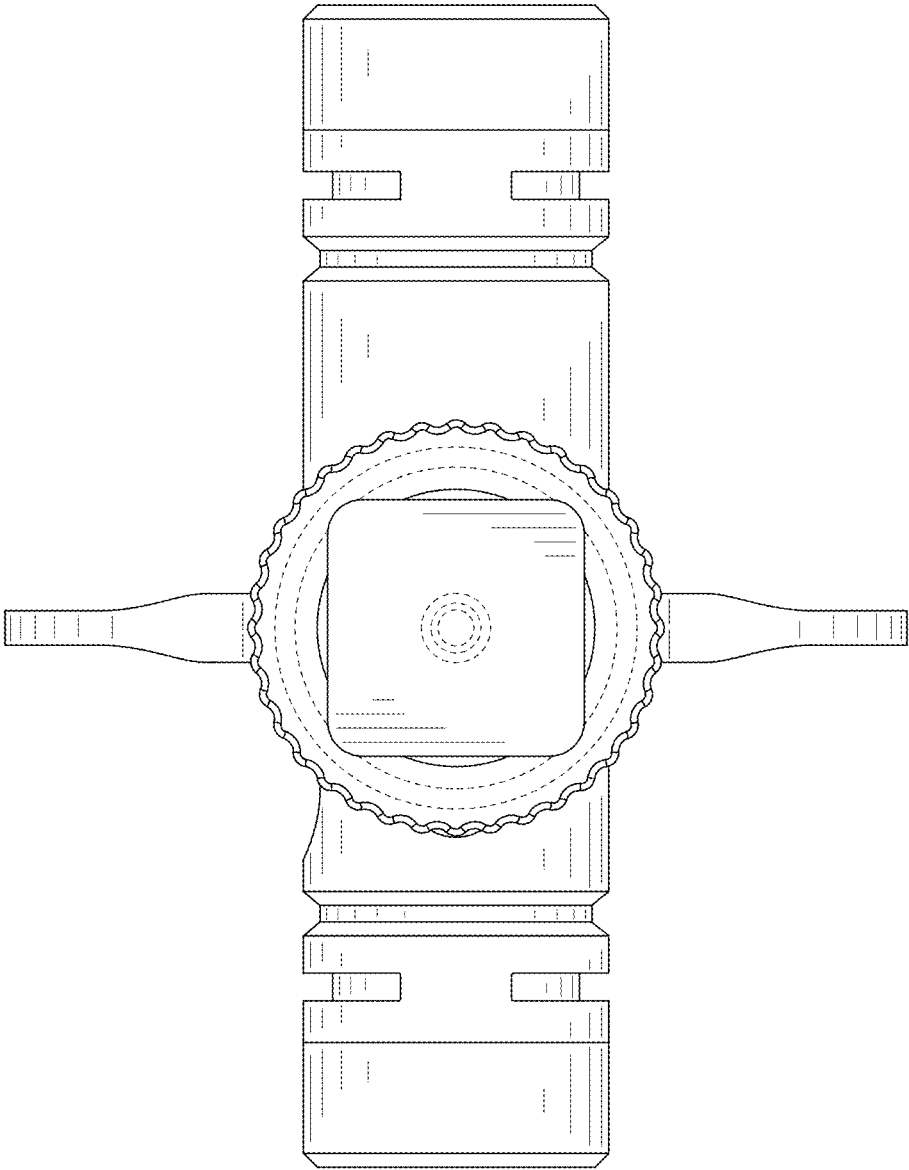


FIG. 6

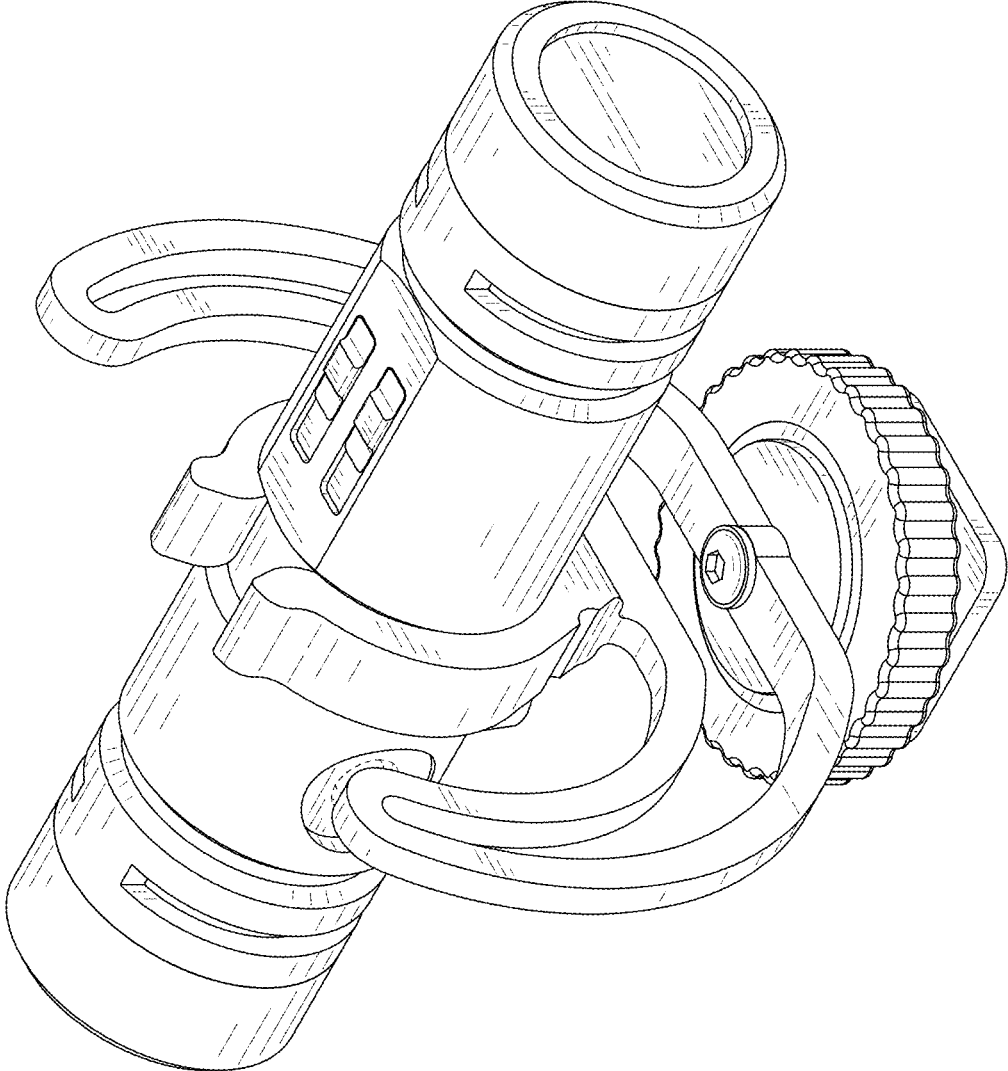


FIG. 7

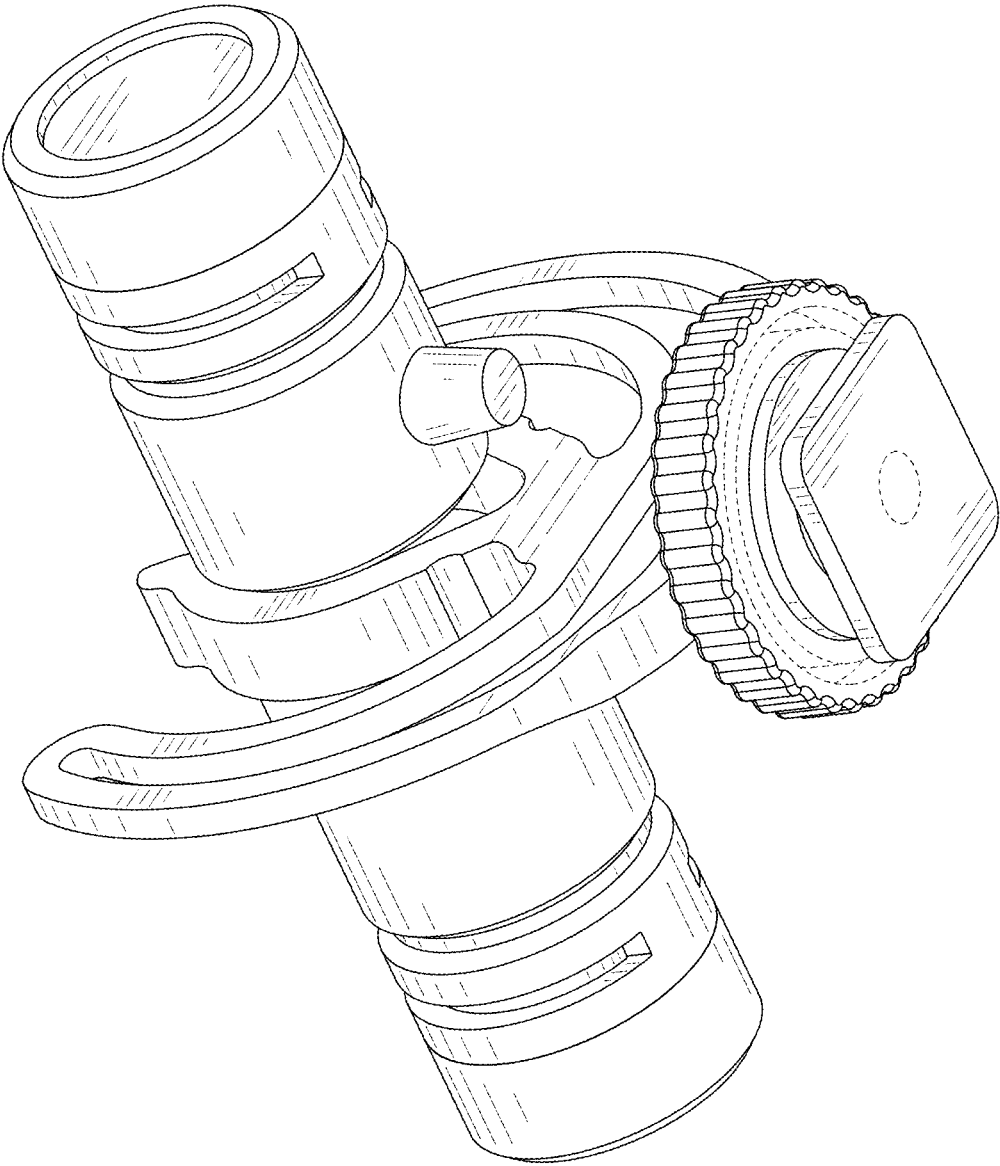


FIG. 8