

[54] THERAPY TABLE

3,678,932 7/1972 Hudson 127/227

[76] Inventor: Harold A. Knackstedt, 201 E. Morgan St., Inman, Kans. 67546

OTHER PUBLICATIONS

Aloe Equipment Catalog (1957), Catalog No. 189 p. 90 top of page.

[**] Term: 14 Years

Primary Examiner—Sam Rosen
Attorney, Agent, or Firm—D. Carl Richards

[21] Appl. No.: 876,192

[22] Filed: Feb. 8, 1978

[57] CLAIM

[51] Int. Cl. D24-01

The ornamental design for a therapy table, as shown and described.

[52] U.S. Cl. D24/3; D24/1.1

[58] Field of Search D24/1.1, 3, 8; 128/248, 128/227, 66, 229; D6/37, 177, 179

DESCRIPTION

[56] References Cited

FIG. 1 is a right front perspective of my therapy table; FIG. 2 is a right rear perspective view thereof; FIG. 3 is a left side elevational view thereof; and FIG. 4 is a bottom thereof.

U.S. PATENT DOCUMENTS

D. 117,735 11/1939 Oliver D24/1.1

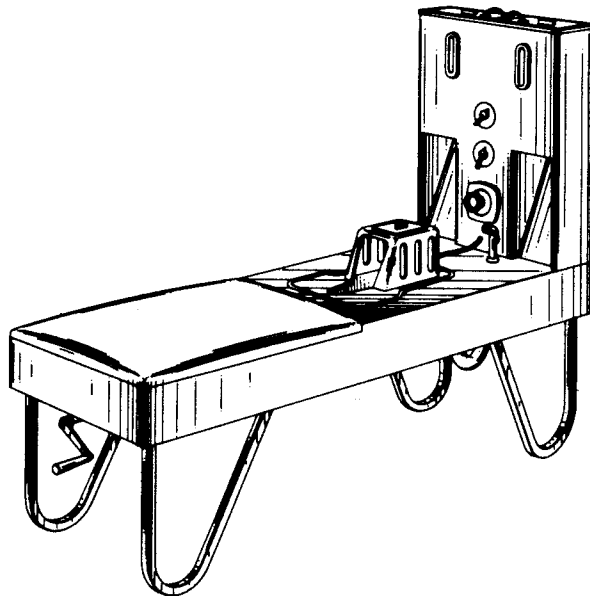


FIG. 1

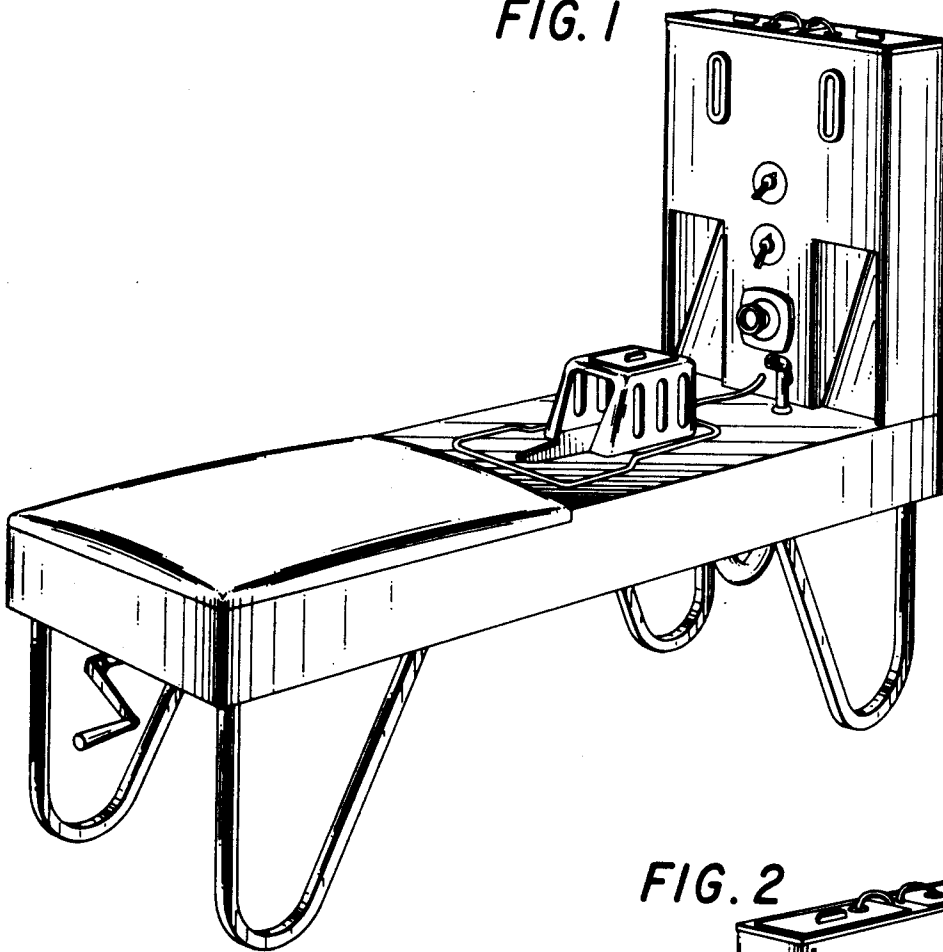


FIG. 2

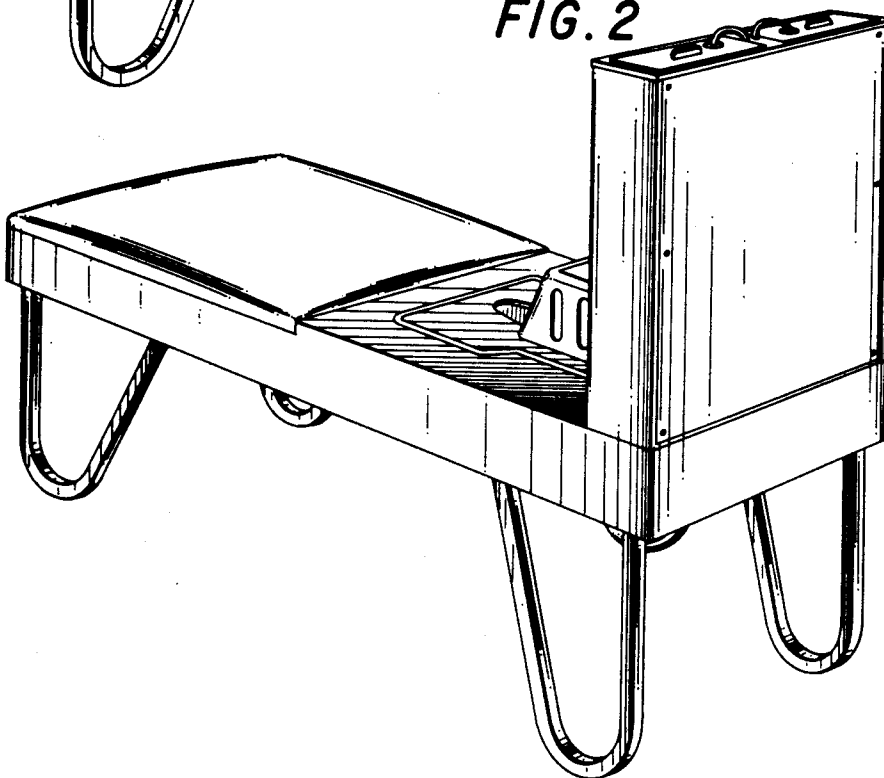


FIG. 3

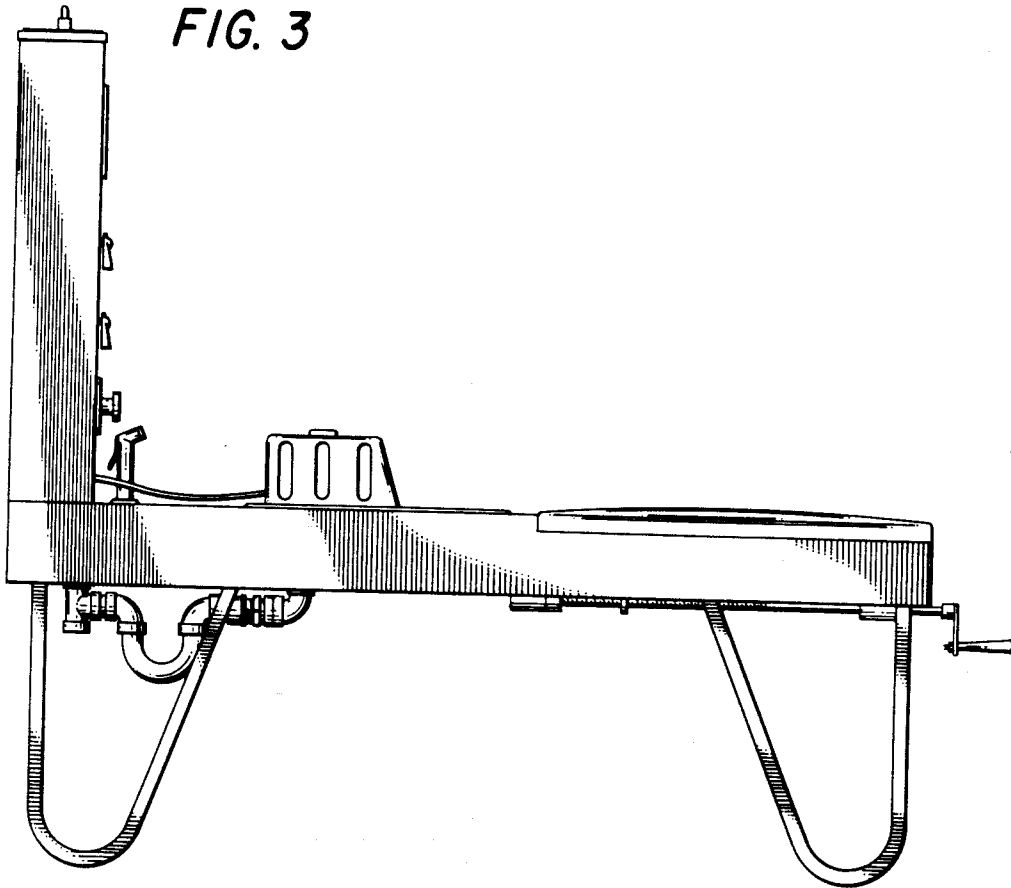


FIG. 4

