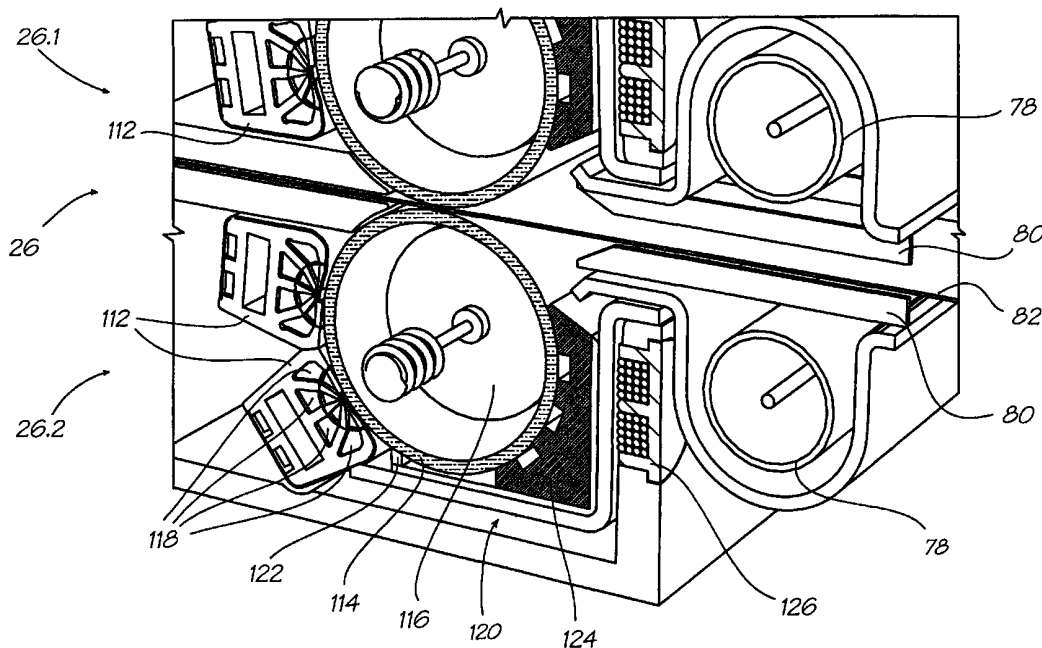




INTERNATIONAL APPLICATION PUBLISHED UNDER THE PATENT COOPERATION TREATY (PCT)

<p>(51) International Patent Classification ⁷ : B41J 2/14, 2/145, 2/235</p>	<p>A1</p>	<p>(11) International Publication Number: WO 00/64679 (43) International Publication Date: 2 November 2000 (02.11.00)</p>
<p>(21) International Application Number: PCT/AU00/00114 (22) International Filing Date: 17 February 2000 (17.02.00) (30) Priority Data: PP 9960 23 April 1999 (23.04.99) AU (71) Applicant (for all designated States except US): SILVERBROOK RESEARCH PTY. LTD. [AU/AU]; 393 Darling Street, Balmain, NSW 2041 (AU). (72) Inventors; and (75) Inventors/Applicants (for US only): SILVERBROOK, Kia [AU/AU]; 393 Darling Street, Balmain, NSW 2041 (AU). KING, Tobin, Allen [AU/AU]; 393 Darling Street, Balmain, NSW 2041 (AU). WALMSLEY, Simon, Robert [AU/AU]; 393 Darling Street, Balmain, NSW 2041 (AU). LAPSTUN, Paul [AU/AU]; 393 Darling Street, Balmain, NSW 2041 (AU). (74) Agent: F B RICE & CO; 605 Darling Street, Balmain, NSW 2041 (AU).</p>		<p>(81) Designated States: AE, AL, AM, AT, AU, AZ, BA, BB, BG, BR, BY, CA, CH, CN, CR, CU, CZ, DE, DK, DM, EE, ES, FI, GB, GD, GE, GH, GM, HR, HU, ID, IL, IN, IS, JP, KE, KG, KP, KR, KZ, LC, LK, LR, LS, LT, LU, LV, MA, MD, MG, MK, MN, MW, MX, NO, NZ, PL, PT, RO, RU, SD, SE, SG, SI, SK, SL, TJ, TM, TR, TT, TZ, UA, UG, US, UZ, VN, YU, ZA, ZW, ARIPO patent (GH, GM, KE, LS, MW, SD, SL, SZ, TZ, UG, ZW), Eurasian patent (AM, AZ, BY, KG, KZ, MD, RU, TJ, TM), European patent (AT, BE, CH, CY, DE, DK, ES, FI, FR, GB, GR, IE, IT, LU, MC, NL, PT, SE), OAPI patent (BF, BJ, CF, CG, CI, CM, GA, GN, GW, ML, MR, NE, SN, TD, TG).</p> <p>Published <i>With international search report.</i></p>

(54) Title: A DUPLEX NETWORK COLOR PRINTER



(57) Abstract

A print engine (26.1, 26.2) for a printer includes a first and a second printhead (112). Both printheads (112) include a plurality of inkjet nozzles constructed using microelectromechanical techniques. The printheads (112) are matched so that defective nozzles in one printhead (112) are substituted by corresponding non-defective nozzles in the other printhead (112).

FOR THE PURPOSES OF INFORMATION ONLY

Codes used to identify States party to the PCT on the front pages of pamphlets publishing international applications under the PCT.

AL	Albania	ES	Spain	LS	Lesotho	SI	Slovenia
AM	Armenia	FI	Finland	LT	Lithuania	SK	Slovakia
AT	Austria	FR	France	LU	Luxembourg	SN	Senegal
AU	Australia	GA	Gabon	LV	Larvia	SZ	Swaziland
AZ	Azerbaijan	GB	United Kingdom	MC	Monaco	TD	Chad
BA	Bosnia and Herzegovina	GE	Georgia	MD	Republic of Moldova	TG	Togo
BB	Barbados	GH	Ghana	MG	Madagascar	TJ	Tajikistan
BE	Belgium	GN	Guinea	MK	The former Yugoslav Republic of Macedonia	TM	Turkmenistan
BF	Burkina Faso	GR	Greece	ML	Mali	TR	Turkey
BG	Bulgaria	HU	Hungary	MN	Mongolia	TT	Trinidad and Tobago
BJ	Benin	IE	Ireland	MR	Mauritania	UA	Ukraine
BR	Brazil	IL	Israel	MW	Malawi	UG	Uganda
BY	Belarus	IS	Iceland	MX	Mexico	US	United States of America
CA	Canada	IT	Italy	NE	Niger	UZ	Uzbekistan
CF	Central African Republic	JP	Japan	NL	Netherlands	VN	Viet Nam
CG	Congo	KE	Kenya	NO	Norway	YU	Yugoslavia
CH	Switzerland	KG	Kyrgyzstan	NZ	New Zealand	ZW	Zimbabwe
CI	Côte d'Ivoire	KP	Democratic People's Republic of Korea	PL	Poland		
CM	Cameroon	KR	Republic of Korea	PT	Portugal		
CN	China	KZ	Kazakstan	RO	Romania		
CU	Cuba	LC	Saint Lucia	RU	Russian Federation		
CZ	Czech Republic	LI	Liechtenstein	SD	Sudan		
DE	Germany	LK	Sri Lanka	SE	Sweden		
DK	Denmark	LR	Liberia	SG	Singapore		
EE	Estonia						

A DUPLEX NETWORK COLOR PRINTER

FIELD OF THE INVENTION

This invention relates to a printer. More particularly, the invention relates
5 to a print engine for a printer.

BACKGROUND TO THE INVENTION

Pagewidth printheads have the advantage of being able to print rapidly but
are constituted by a very large number of nozzles. Should any of these nozzles be
10 defective, an inadequate print quality may result.

SUMMARY OF THE INVENTION

According to a first aspect of the invention, there is provided a print engine
for a printer, the print engine including
15 a first printhead; and
a second printhead, both printheads including a plurality of inkjet nozzles
constructed using microelectromechanical techniques, the printheads being
matched so that defective nozzles in one printhead are substituted by
corresponding, non-defective nozzles in the other printhead.

20 Preferably, each printhead is a pagewidth printhead. The printheads may
be arranged side-by-side in spaced, parallel relationship.

In this specification, unless the context clearly indicates otherwise, the term
"pagewidth printhead" is to be understood as a printhead having a printing zone
that prints one line at a time on a page, the line being parallel either to a longer
25 edge or a shorter edge of the page. The line is printed as a whole as the page
moves past the printhead and the printhead is stationary, i.e. it does not raster or
traverse the page.

The print engine may include a transfer roller rotatably arranged adjacent
the printheads for transferring ink from the printheads to media passing the roller,
30 the printheads being arranged in circumferentially spaced relationship relative to,

and adjacent, the roller, with the printheads extending parallel to a rotational axis of the roller.

The transfer roller may be displaceable into abutment with the printheads when no printing is occurring for inhibiting evaporation of ink from the printheads.

5 The print engine may include a cleaning station for cleaning a surface of the transfer roller.

In addition, a drying means may be arranged downstream of the roller. The drying means may be an infrared drying lamp.

10 In a preferred embodiment of the invention, the printheads may share a common ink supply.

As described above, it is possible to obtain defective nozzles in the manufacture of the printheads. Thus, the printheads, at the time of manufacture, may be characterised and matched so that no two corresponding nozzles of the paired printheads are both defective.

15 A defect list, which may be in the form of a characterisation vector, may be provided for providing an indication of which nozzle of a matched pair of nozzles of the printheads is to be used. The characterisation vector may be encoded and incorporated in the print engine. The print engine may comprise a cartridge housing the printheads and the other components. In a preferred embodiment, the characterisation vector may be retrievable via a barcode applied to the cartridge.

20 The invention extends also to a printing station for a printer, the printing station including

a first print engine as described above; and

25 a second print engine, also as described above, arranged in opposed, aligned relationship, with the transfer rollers of the print engines abutting against each other to effect printing on both surfaces of a sheet of print media passing between the transfer rollers.

30 Preferably, the printheads of both print engines receive ink from a common ink supply. Thus, the printing station may include the ink supply, the ink supply comprising a plurality of separate ink cartridges, each of a different color, to

provide for color printing.

The printing station may include an ink reservoir associated with each ink cartridge so that, when an ink cartridge is mounted on its associated reservoir, an interior of the cartridge is in fluid flow communication with the reservoir via a valve arrangement.

The second print engine may be displaceably arranged relative to the first print engine for enabling access to be gained to a print media path defined between the print engines.

According to a second aspect of the invention, there is provided a method of manufacturing a printhead assembly for a pagewidth printer, the method including the steps of

providing a first printhead including a plurality of inkjet nozzles constructed using microelectromechanical techniques;

selecting a second printhead of the same construction as the first printhead;

and

matching the first printhead to the second printhead by ensuring that no corresponding, paired nozzles of the two printheads are both defective.

It will be appreciated that, in practice, the selection process for the second printhead may involve a number of selections to ensure that there are no paired nozzles of the two printheads eventually selected which are both defective.

The method may include constructing each printhead from a plurality of segments arranged in end-to-end relationship.

In one embodiment of the invention, the method may include characterising and matching printhead defects one segment at a time during construction of the printheads. In this case, it will be appreciated that the testing of the nozzles of the relevant segments occurs without ink before integration with an ink path.

In another embodiment of the invention, the method may include characterising and matching printhead defects after each printhead has been assembled in its entirety. In this embodiment, the method may include testing the nozzles with ink after integration with an ink path.

According to a third aspect of the invention, there is provided a printhead assembly for a pagewidth printer, the assembly including a pair of printheads, each printhead including a plurality of inkjet nozzles constructed using microelectromechanical techniques, the printheads being selected and matched so that no two paired nozzles of the printheads are both defective.

Each printhead may be constituted by a plurality of segments arranged in end-to-end relationship.

Once again, in one embodiment of the invention, the printhead defects may be characterised and matched one segment at a time. The nozzles may then be tested without ink before integration with an ink path.

In another embodiment of the invention, the printhead defects may be characterised and matched after completion of the entire printhead. In this case, the nozzles may be tested with ink after integration with an ink path.

According to a fourth aspect of the invention, there is provided a method of characterising a printhead assembly for a printer, the method including matching a pair of printheads, each printhead including a plurality of inkjet nozzles constructed using microelectromechanical techniques, such that no paired nozzles on the pair of printheads are both defective;

determining which nozzle of a pair is to be used and generating data relating to the nozzle to be used; and

encoding said data and associating said encoded data with the printhead assembly.

The printheads may be pagewidth printheads.

The method may include forming a defect list, which may be in the form of a characterisation vector, of the generated data and storing the vector in a manufacturing database.

Further, the method may include indexing the characterisation vector with an identification device of the assembly. More particularly, the characterisation vector associated with a particular printhead may be stored in the manufacturing database and indexed by a serial number of the printhead.

Further, the method may include encoding the vector in a readable format and applying it to a cartridge of the assembly. Preferably, the characterisation vector is recorded as a barcode on the cartridge.

5 Then, when the cartridge is installed in the printer, the method may include retrieving the vector from the barcode and writing the vector to a memory means of a printer controller of the printer. The memory means may be a flash memory of the printer controller.

10 If the cartridge is replaced in the field, a new characterisation vector may be downloaded remotely from the manufacturing database to the printer controller via a network interface of the printer controller using the barcode of the new cartridge.

According to a fifth aspect of the invention, there is provided a printhead assembly which includes

15 a pair of matched printheads, each printhead including a plurality of inkjet nozzles constructed using microelectromechanical techniques, the printheads being matched so that no paired nozzles of the pair of printheads are both defective; and encoded data relating to a defect list associated with the printheads, the defect list providing data relating to which nozzle of each pair of matched nozzles of the pair of printheads is to be used.

20 The defect list, which may be in the form of a characterisation vector, may be associated with an identification device of the assembly and may be stored in a manufacturing database.

25 The printhead assembly may include a printhead cartridge, the characterisation vector, in its encoded format, being applied to the cartridge to be readable by a printer when the cartridge is installed in the printer.

According to a sixth aspect of the invention, there is provided a printer controller for a printer, the controller including

30 a processing means for receiving incoming data relating to a description of a page to be printed, said descriptions containing color data and black text data; a memory means in which the data are stored;

a rasterizing and compressing means for rasterizing and compressing the data, the compression of the color data and the black text data being effected separately from each other; and

5 a printhead controller for receiving, decompressing and processing said data for printing via a printhead under control of the printhead controller.

The printhead may be a pagewidth printhead.

The rasterizing and compressing means may include at least one raster image processor (RIP) digital signal processor (DSP). The, or each, RIP DSP may communicate with the processing means via the data communications means,
10 the processing means feeding and synchronising the, or each, RIP DSP and the printhead controller.

The, or each, RIP DSP may communicate with the hard disk via the processing means and the data communications means for storing rasterized and compressed data in the hard disk prior to transmission of the compressed data to
15 the printhead controller.

The printer controller may include more than one RIP DSP. Additional units may be included in the form of field-installable, plug-in modules.

The memory means may be a hard disk which communicates with the processing means via a disk controller and a data communications means.

20 According to a seventh aspect of the invention, there is provided in a printer controller, a method of printing a description of a page, the method including the steps of

receiving said data relating to a description of a page to be printed from a host processor;

25 storing the received data in a memory means;

rasterizing and compressing the received data to create a compressed page format, the compression of the color data and the black text data being effected separately from each other;

30 feeding the compressed page format data to a printhead controller; and expanding the compressed page format data in the printhead controller

prior to printing of the page.

The method may include, prior to feeding the compressed page format data to the printhead controller, storing the compressed page format data in the memory means, the memory means being the hard disk of the printer controller.

5 Further, the method may include, as the data are expanded, feeding the expanded data to at least one printhead controlled by the printhead controller.

Instead, when the printhead controller receives the compressed page format data, the method may include storing the data in a local memory means of the printhead controller.

10 According to an eighth aspect of the invention, there is provided a printhead controller for controlling printing of a page by at least one printhead, the printhead controller being connected, in use, via a data communications link to a printer controller for receiving data, in a compressed format, relating to the page to be printed, the data including a page description comprising a bi-level black
15 layer and a contone color layer, the printhead controller including

a first decoding means for expanding compressed data relating to the bi-level black layer;

a second decoding means for expanding compressed data relating to the contone color layer, the first and second decoding means being arranged in
20 parallel;

a first temporary storage device for storing the expanded data from the first decoding means;

a second temporary storage device for storing the expanded data from the second decoding means;

25 a data manipulating means for manipulating the data output from the first and second temporary storage devices to be fed to the printhead; and

a printhead interface at an output from the data manipulating means for controlling at least one printhead connectable to the interface and for feeding the manipulated data to the printhead.

30 The printhead may be a pagewidth printhead.

The first decoding means may be a lossless bi-level decompression device for decompressing the bi-level black layer. The decompression device may be a standard Group 4 Fax decoder.

5 The second decoding means may be a high quality lossy decompression device for decompressing the contone color layer. The decompression device may be a standard JPEG decoder.

The data manipulating means may include a ditherer/compositor unit and a third temporary storage device at an output to the unit, the unit being operable to composite the bi-level black layer on the contone color layer after dithering of the
10 color layer. The unit may be a custom built unit.

Each of the first temporary storage device, the second temporary storage device and the third temporary storage device may be a FIFO. It will be appreciated that the functional units are pipelined with the FIFO's which are on-chip and arranged between each functional unit and its successor in the pipeline.

15 According to a ninth aspect of the invention, there is provided in a printhead controller for controlling printing of a page by a printhead, the printhead controller being connected, in use, via a data communications link to a printer controller for receiving data, in a compressed format, relating to the page to be printed, the data including a page description comprising a bi-level black layer and
20 a contone color layer, a method of controlling at least one printhead connected to the printer controller, the method including the steps of

expanding compressed data relating to the bi-level black layer;
expanding compressed data relating to the contone color layer;
storing the expanded data in first and second temporary storage devices
25 respectively;

feeding the expanded data from the storage devices to a data manipulating means;

manipulating the data into a format suitable for printing;

loading at least one printhead with dots to be printed in accordance with
30 the formatted manipulated data; and

printing the dots.

The steps of expanding the two layers may occur substantially simultaneously. The method may include expanding the data relating to the bi-level black layer using a lossless bi-level decompression device. The method may also include expanding the data relating to the contone color layer using a high quality lossy decompression device.

The manipulating of the data may include dithering the contone color layer, compositing the bi-level black layer on the dithered contone color layer and temporarily storing a dithered/composited layer so formed in a storage device prior to printing the dots.

The method may include operating the printhead controller as a self-synchronising pipeline.

BRIEF DESCRIPTION OF THE DRAWINGS

The invention is now described by way of example with reference to the accompanying drawings in which,

Figure 1 shows a plan view of a printer, in accordance with the invention;

Figure 2 shows a front view of the printer;

Figure 3 shows a side view of the printer;

Figure 4 shows a schematic, sectional front view of the printer;

Figure 5 shows a schematic, sectional plan view of the printer;

Figure 6 shows, on an enlarged scale, a schematic, sectional front view of part of the printer;

Figure 7 shows an enlarged front view of a central section of the printer;

Figure 8 shows a three-dimensional view of a print engine arrangement of the printer;

Figure 9a shows a three-dimensional top view of an ink cartridge of the printer;

Figure 9b shows a three-dimensional bottom view of the ink cartridge;

Figure 10 shows a diagrammatic representation of document data flow in the printer;

Figure 11 shows a block diagram of the printer controller architecture;

Figure 12 shows a block diagram of one embodiment of the print engine controller architecture; and

Figure 13 shows a block diagram of another embodiment of the print engine controller architecture.

DETAILED DESCRIPTION OF THE DRAWINGS

1 S-PRINT OVERVIEW

The invention will be described with reference to a high-speed duplex network color printer intended for high-volume office use. It features 2000-sheet motorized paper trays, 120 page-per-minute operation, and 1600 dpi photographic-quality output. We refer to the printer as the "S-print" and we shall refer to it as such or as the printer below.

With 20 times the speed of the best network color laser printers, and 4 times the speed of the best network monochrome laser printers, S-print effectively targets the \$40 billion desktop laser printer market. With its high performance and photographic-quality output, it also competes against offset printing for print runs smaller than 5000 copies.

S-print accommodates A4/Letter sized media and, with a tray adaptor, A3/Tabloid sized media. It achieves simultaneous high quality and performance using full-color page-width 1600 dpi microelectromechanical inkjet (Memjet) printheads.

S-print uses an embedded DSP-based raster image processor (RIP) to rasterize Postscript and PCL page descriptions at high speed. The standard RIP uses a single DSP, but up to three additional DSP modules can be plugged in to increase performance.

5 The RIP compresses and stores the rasterized page images on an internal high-capacity hard disk. While simple page descriptions are rasterized at the full 120 ppm printing rate, more complex page descriptions may take longer. Pre-rasterized documents retrieved from the internal hard disk are always printed at the full 120 ppm printing rate. Any document can be “printed” to the hard disk,
10 i.e. rendered and stored on the hard disk, for later high-speed retrieval.

 Users can walk up to an S-print, select locally-stored documents on its color LCD, and print them immediately, without ever going near a workstation. Documents printed in this way always print at the full 120 ppm rate. The standard 14GB internal hard disk stores over 6000 image-intensive pages. Because of its
15 walk-up capability and high speed, S-print is likely to displace many uses of short-run offset printing.

 S-print uses duplexed printheads for simultaneous double-sided printing. During the pilot phase of Memjet printhead manufacturing when the printhead defect density is still potentially high, each printhead is replicated to achieve 2:1
20 nozzle redundancy. This allows factory-detected defective nozzles to be bypassed, and so maximises printhead yield. A pair of custom print engine controllers expand, dither and print page images to the duplexed printheads in real time.

 Apart from custom print engine controllers and Memjet printheads, S-print is built using standard off-the-shelf electronic components.

25 **2 PRINTER MECHANICS**

 S-print is designated generally by the reference numeral 10 and comprises a housing 12 having a central section 14 (Figures 1 and 2). A hinged tray housing 16 projects from each side of the central section 14 (Figure 3).

Ink cartridges 18, which will be described in greater detail below, are mounted on top of the central section 14 to be readily accessible.

A front face 20 of the central section 14 houses a display 22. The display 22, which will be described in greater detail below with reference to Figure 7 of the drawings, is a full color LCD user interface.

Referring now to Figure 4 of the drawings, a schematic front view of S-print 10 is shown.

The housing 12 is constructed around a box chassis 24. Print engines 26 are centrally located in the central section 12. The print engines 26 will be described in greater detail below with reference to Figure 6 of the drawings.

On either side of the central section 14, and projecting outwardly therefrom is one of the paper tray housings 16. Each paper tray housing 16 has a bottom or side hinged door 28. A platen 30 is located in each paper tray housing 16 for supporting a load of papers. An operative inner end of each platen 30 has a guide roller 32 which is received in a vertically extending channel 34 for guiding vertical movement of the platen 30. Each platen 30 is driven by a motor 36. The motor 36 drives a sprocket 38. A second sprocket 40 is mounted vertically below the sprocket 38. The sprockets 38 and 40 are interconnected by an endless chain 42 which drives vertical movement of the platen 30.

A first motor assembly 44 is arranged upstream of the print engines 26 for feeding print media, in the form of a sheet of paper, between the print engines 26. A second motor assembly 46 is arranged downstream of the print engines 26 for drawing the sheet of paper from the print engines 26 after printing.

The platens 30 rise and descend according to the volume of paper in the input and output stacks.

A compact power supply 48 is arranged below the print engines 26 as is a 14GB hard disk drive (HDD) 50 and controlling circuitry 52.

S-print 10 prints the long edge of the paper to achieve a compact form factor and a minimised footprint.

As illustrated more clearly in Figure 5 of the drawings, a sheet of paper to be fed to the print engines 26 is guided by pick-up rollers 54 arranged upstream of the print engines 26 in the paper path. Spike wheel rollers 56 grip a leading edge of the paper, after printing, for guiding the printed paper to a paper tray housing 16 located downstream of the print engines 26 in the paper path. The pick up rollers 54 are driven by a motor assembly 44. Similarly, the spike wheel rollers 56, which are arranged in vertically spaced pairs, are driven by a further motor assembly 46.

Also, as illustrated in Figure 5 of the drawings, S-print 10 is a four color printer having a cyan ink cartridge 58, a magenta ink cartridge 60, a yellow ink cartridge 62 and a black ink cartridge 64. The ink cartridges 58, 60, 62 and 64 feed ink via hoses 66 to the print engines 26.

A molding 72 (Figure 6) to which the ink cartridges 58 to 64 are attached is hingedly secured to the remainder of the central section 14 of the housing 12 to reveal an upper part of a chassis 74 of the print engines 26. This upper part 74 can be pivoted about pivot pin 76 to enable access to be gained to an upper print engine 26.1. It is to be noted that the upper print engine 26.1 is secured to the part 74 so that, when the part 74 is pivoted, access can be gained to a lower print engine 26.2 as well as drying infrared lamp 78.

These infrared lamps 78 are mounted on paper guides 80 which guide a sheet of paper 82 between the print engines 26.

The straight paper path allows the paper 82 to be fed at high speed past printheads of the print engines 26.

The two print engines 26.1 and 26.2 are mounted together in an adjustable assembly. As described above, the upper print engine 26.1 can be pivoted upwards to allow access to paper jams and to the lower print engine 26.2 and the

infrared drying lamps 78.

As schematically illustrated in Figure 6 of the drawings, the relevant ink cartridges 58 to 64 are snap fits on the top molding 72.

Each ink cartridge 58 to 64 comprises moldings 86 defining a reservoir 90. The reservoir 90 is, in use, in fluid flow communication with a fixed reservoir 88 defined in a molding 84 on top of the print engines 26.

The reservoir 90 is in communication with the fixed reservoir 88 via a passage 92. A pin 94 projects through the passage 92 and is engaged by a ball 96 of the ink cartridge 58 to 64. The ball 96 is urged into engagement with the pin 94 by means of a spring 98. The pin 94 has a collar or flange 100 at its operatively lower end, i.e. that end within the reservoir 88. When the collar 100 is urged off its seat, ink can flow from the reservoir 90 into the reservoir 88.

The reservoir 88 serves to provide an early warning to replace the ink cartridge and makes contact with an embedded QA cartridge chip. Each reservoir 88 connects via the hoses 66 to the printheads of the print engines 26.

Referring now to Figure 7 of the drawings the front panel 20 of S-print 10 is shown in greater detail. As described above, the front panel 20 contains a color LCD interface 22. A power switch 102 is arranged below the interface 22.

A keypad 104 is also arranged on the front panel 20. The keypad 104 allows the desired number of copies to be entered. Documents to be printed locally, i.e. at the printer 10 can also be selected by an identification number by means of the keypad 104. It will be appreciated that this can be quicker than scrolling through stored documents if there are many such documents.

The LCD interface 22 includes four changeable function buttons 106 for navigating the interface 22.

A print button 108 and a stop button 110 are also arranged on the front panel 20 adjacent to the keypad 104.

Referring to Figure 8 of the drawings the print engines 26 are discussed in greater detail. As described above, an upper print engine 26.1 and a lower print engine 26.2 are provided. S-print 10 uses duplex print engines 26.1 and 26.2 for simultaneous double-sided printing.

5 It is to be noted that each print engine 26.1 and 26.2 uses two printheads 112 (only one of which is shown in respect of the print engine 26.1). The two printheads 112 are provided to achieve a 2:1 nozzle redundancy. This allows factory-detected defective nozzles to be bypassed and so maximises the printhead yield.

10 The printheads 112 print on to a transfer roller 114. The roller 114 is rotatably driven by a co-axially arranged motor 116. Ink deposited on a surface of the roller 114 is, in turn, deposited on the paper 82 during the printing process. In addition, when the printheads 112 are inoperative, the roller 116 is urged into engagement with the printheads 112 for inhibiting evaporation of ink in reservoirs
15 118 in each printhead assembly 112.

Each print engine 26 includes a cleaning station 120. The cleaning station 120 includes a wiper 122 of a resiliently flexible, elastomeric material and a sponge 124 arranged upstream of the wiper 122 so that the sponge 124 removes ink from the transfer roller 114 before the wiper 122 wipes ink from the transfer
20 roller 114.

Movement of the roller 114 into and out of engagement with the printhead assemblies 112 is controlled by a solenoid arrangement 126.

A three dimensional top view of one of the ink cartridges 60 is shown in Figure 9a of the drawings with a three dimensional bottom view of the cartridge 60 being shown in Figure 9b of the drawings. The cartridge 60 comprises the
25 moldings 86 which engages the molding 84 in the central section 14 of the housing 12 of S-print 10. A QA chip 128 is shown on a bottom surface 130 of the ink cartridge 60 in Figure 9b of the drawings.

As shown in Figure 6 of the drawings, but not shown in Figures 9a or 9b of the drawings, each upper molding 86 houses the sprung ball 96 which is held captive against the lower molding 84 to provide a main seal to the cartridge 60. A secondary hydrophobic, elastomeric seal 132 is provided at an entry port on a lower surface 130 of the cartridge 60.

As described above, the cartridge 60 connects to the print engines 26 via the printer ink reservoir 88 by means of the pin 94.

Tortuous air channels 134 (Figure 9a) are provided at the top of the cartridge 60 under the color label 136. The four ink cartridges 58 to 64 are keyed by plastic protrusions to prevent any incorrect insertion or orientation of the cartridges 58 to 64. Also, it is to be noted that the black cartridge 64 holds twice the volume of the other cartridges due to the greater use of black ink.

3 MEMJET-BASED PRINTING

A Memjet printhead 112 produces 1600 dpi bi-level CMYK (Cyan, Magenta, Yellow, blacK). On low-diffusion paper, each ejected drop forms an almost perfectly circular 22.5 micron diameter dot. Dots are easily produced in isolation, allowing dispersed-dot dithering to be exploited to its fullest. Since the Memjet printhead 112 is the width of the page and operates with a constant paper velocity, the four color planes are printed in good registration, allowing accurate dot-on-dot printing. Since there is consequently no spatial interaction between color planes, the same dither matrix is used for each color plane. Dot-on-dot printing minimizes 'muddying' of midtones caused by inter-color bleed.

A page layout may contain a mixture of images, graphics and text. Continuous-tone (contone) images and graphics are reproduced using a stochastic dispersed-dot dither. Unlike a clustered-dot (or amplitude-modulated) dither, a dispersed-dot (or frequency-modulated) dither reproduces high spatial frequencies (i.e. image detail) almost to the limits of the dot resolution, while simultaneously reproducing lower spatial frequencies to their full color depth, when spatially

integrated by the eye. A stochastic dither matrix is carefully designed to be free of objectionable low-frequency patterns when tiled across the image. As such its size typically exceeds the minimum size required to support a particular number of intensity levels (e.g. $16 \times 16 \times 8$ bits for 257 intensity levels). S-print 10 uses a dither volume of size $64 \times 64 \times 3 \times 8$ bits. The volume provides an extra degree of freedom during the design of the dither by allowing a dot to change states multiple times through the intensity range (rather than just once as in a conventional dither matrix).

Human contrast sensitivity peaks at a spatial frequency of about 3 cycles per degree of visual field and then falls off logarithmically, decreasing by a factor of 100 beyond about 40 cycles per degree and becoming immeasurable beyond 60 cycles per degree. At a normal viewing distance of 12 inches (about 300mm), this translates roughly to 200-300 cycles per inch (cpi) on the printed page, or 400-600 samples per inch according to Nyquist's theorem.

In practice, contone resolution above about 300 ppi is of limited utility outside special applications such as medical imaging. Offset printing of magazines, for example, uses contone resolutions in the range 150 to 300 ppi. Higher resolutions contribute slightly to color error through the dither.

Black text and graphics are reproduced directly using bi-level black dots, and are therefore not antialiased (i.e. low-pass filtered) before being printed. Text is therefore supersampled beyond the perceptual limits discussed above, to produce smoother edges when spatially integrated by the eye. Text resolution up to about 1200 dpi continues to contribute to perceived text sharpness (assuming low-diffusion paper, of course).

S-print 10 uses a contone resolution of 320 ppi (i.e. $1600 \div 5$), and a black text and graphics resolution of 1600 dpi.

4 DOCUMENT DATA FLOW

Document transmission and document rasterization are decoupled to shield

the user from interactions between the size and complexity of the document, and the memory capacity and RIP performance of S-print 10. This is achieved by storing each document's page description language (PDL) file on the internal hard disk 50.

5 Because of the high resolution of the Memjet printhead 112, each page must be printed at a constant speed to avoid creating visible artifacts. This means that the printing cannot be varied to match the input data rate. Document rasterization and document printing are therefore decoupled to ensure the printhead 112 has a constant supply of data. A page is never printed until it is fully
10 rasterized. This is achieved by storing a compressed version of each rasterized page image on the internal hard disk 50.

This decoupling also allows the RIP to run ahead of the printer 10 when rasterizing simple pages, buying time to rasterize more complex pages.

15 The user indicates whether a document is to be stored permanently-on the hard disk 50, printed, or both. So long as there is disk space available, the pages of transient documents are also cached on the disk 50 until printed. This is particularly efficient when multiple copies of complex documents are being printed. This so-called electronic collation also obviates the need for an external collating mechanism, since each copy of a document is printed in its entirety
20 before the next copy.

25 Because contone color images are reproduced by stochastic dithering, but black text and line graphics are reproduced directly using black dots, the compressed page image format contains a separate foreground bi-level black layer and background contone color layer. The black layer is composited over the contone layer after the contone layer is dithered.

Figure 10 shows the flow of an S-print document from network to printed page.

At 320 ppi, an A4/Letter page of contone CMYK data has a size of

38MB. Using lossy contone compression algorithms such as JPEG, contone images compress with a ratio up to 10:1 without noticeable loss of quality, giving a compressed page size of 3.8MB.

At 1600 dpi, an A4/Letter page of bi-level data has a size of 30MB.

5 Coherent data such as text compresses very well. Using lossless bi-level compression algorithms such as Group 4 Facsimile, ten-point text compresses with a ratio of about 20:1, giving a compressed page size of 1.5MB.

10 Once dithered, a page of CMYK contone image data consists of 120MB of bi-level data. Using lossless bi-level compression algorithms on this data is pointless precisely because the optimal dither is stochastic – i.e. since it introduces hard-to-compress disorder.

The two-layer compressed page image format therefore exploits the relative strengths of lossy JPEG contone image compression and lossless bi-level text compression. The format is compact enough to be storage-efficient, and
15 simple enough to allow straightforward realtime expansion during printing.

20 Since text and images normally do not overlap, the normal worst-case page image size is 3.8MB (i.e. image-only), while the normal best-case page image size is 1.5MB (i.e. text-only). The absolute worst-case page image size is 5.3MB (i.e. text over image). Assuming a third of an average page contains images, the average page image size is 2.3MB. The standard 14GB internal hard disk therefore holds over 6000 such pages.

5 PRINTER CONTROLLER ARCHITECTURE

The S-print 10 printer controller consists of a controlling processor 138 (Figure 11), various peripheral controllers 140, 142 and 144, a raster image
25 processor (RIP) DSP farm 146, and duplexed page expansion processors 148. These components are discrete and communicate via a shared bus 150 and a shared 64MB memory 152.

The controlling processor 138 handles communication with the network via an Ethernet controller 140, controls the internal hard disk 50 via the SCSI controller 142 and controls the LCD 22 via the LCD controller 144. The controller 138 also controls the paper transport, handles ink cartridge authentication and ink monitoring, and feeds and synchronizes the RIP and the print engine controllers 148. It consists of a medium-performance general-purpose microprocessor. Its associated peripheral controllers include a 10/100Base-T Ethernet controller (140), a SCSI disk controller (142), and a color TFT LCD controller (144). Optional controllers include an IEEE 1394 (Firewire) controller and a USB 2.0 controller for high-speed point-to-point communication with a workstation or server.

The RIP DSP farm 146 rasterizes and compresses page descriptions to S-print's compressed page format. The DSP farm 146 consists of between one and four general-purpose high-performance DSPs. Each additional DSP comes as a field-installable plug-in module.

Each print engine controller 148 expands, dithers and prints page images to its associated replicated printhead 112 in real time (i.e. at 60 ppm). The duplexed print engines 26 print both sides of the page simultaneously (i.e. at 120 ppm).

The printer controller's flash memory 154 holds the software for both the processor 138 and the DSPs 146. This is copied to main memory 152 at boot time. The flash memory 154 also holds the defect lists for the two replicated printheads 112. These are copied to the print engine controllers 148 at boot time.

5.1 Detailed Document Data Flow

The main processor 138 receives the document's page description language (PDL) file and stores it on the internal hard disk 50. It then runs the appropriate RIP software on the DSPs 146.

The DSPs 146 rasterize each page description and compress the rasterized page image. The main processor 138 stores each compressed page image on the hard disk 50. The simplest way to load-balance multiple DSPs 146 is to let each DSP 146 rasterize a separate page. The DSPs 146 can always be kept busy since an arbitrary number of rasterized pages can, in general, be stored on the internal hard disk 50. This strategy can lead to poor DSP utilization, however, when rasterizing short documents.

The main processor 138 passes back-to-back page images to the controllers 148 of the duplexed print engines 26. Each print engine controller 148 stores the compressed page image into its local memory, and starts the page expansion and printing pipeline. Page expansion and printing is pipelined because it is impractical to store a 120MB bi-level CMYK image in memory.

The first stage of the pipeline expands the JPEG-compressed contone CMYK layer. The second stage, in parallel with the first, expands the Group 4 Fax-compressed bi-level black layer. The third stage dithers the contone CMYK layer, and composites the bi-level black layer over the resulting bi-level CMYK layer. The fourth stage prints the bi-level CMYK data via the printhead interface which controls the Memjet printhead 112.

The main processor 138 streams compressed page images from the hard disk 50 to the print engine controllers 148 at the required 120 ppm rate (i.e. 4.6MB/s on average, or 10.6MB/s worst-case).

process	input format	input window	output format	output window	input rate	output rate
receive contone	-	-	JPEG stream	1	-	3.8MB/s (10Mp/s)
receive bi-level	-	-	G4Fax stream	1	-	1.5MB/s (250Mp/s)

expand contone	JPEG stream	-	32-bit CMYK	8	3.8MB/s (10Mp/s)	38MB/s (10Mp/s)
expand bi-level	G4Fax stream	-	1-bit K	1	1.5MB/s (250Mp/s)	30MB/s (250Mp/s)
dither	32-bit CMYK	1	- ^a	-	38MB/s (10Mp/s ^b)	-
composite	1-bit K	1	4-bit CMYK	1	30MB/s (250Mp/s)	120MB/s (250Mp/s)
print	4-bit CMYK	24, 1 ^c	-	-	120MB/s (250Mp/s)	-
					193MB/s	193MB/s
					387MB/s	

^a dither combines with composite, so there is no external data flow between them

^b 320 ppi \Rightarrow 1600 dpi (5 x 5 expansion)

^c Needs a window of 24 lines, but only advances 1 line

The print engine data flow is summarized in Table 1. The aggregate traffic to/from memory is 387MB/s, all but 5.3MB/s of which relates to the FIFOs.

Each stage communicates with the next via a FIFO. Each FIFO is organized into lines, and the minimum size (in lines) of each FIFO is designed to accommodate the output window (in lines) of the producer and the input window (in lines) of the consumer. The inter-stage memory FIFOs are described in Table 2.

FIFO	format and line size	number of lines	FIFO size
contone CMYK	32-bit interleaved CMYK (320 ppi x 11.7" x 32 = 15.0KB)	8 x 2 = 16	240KB
bi-level K	1-bit K (1600 dpi x 11.7" x 1 = 2.3B)	1 x 2 = 2	5KB
bi-level CMYK	4-bit planar odd/even CMYK (1600 dpi x 11.7" x 4 = 9.1KB)	24 + 1 = 25	229KB
			474KB

Because the two printheads 112 of each redundant printhead pair are separated by about 8mm on the transfer roller (or about 500 printed lines at 1600 dpi), an additional 500 lines of bi-level CMYK must be buffered between the ditherer/compositor unit 176 and the printhead interface 178. This in turn translates to about 4.5MB of additional FIFO memory, or about 5MB of FIFO memory in total.

The need for this additional FIFO memory can be eliminated by expanding each page image twice in parallel, i.e. once each for the two printheads 112 of each redundant printhead pair, staggered to match the physical separation of the printheads. This is most easily done by replicating the print engine controller 148 for each printhead 112. Replication is particularly relevant in the case of the pipelined (as opposed to shared-memory) print engine controller 148 described below, where the provision of 5MB of on-chip FIFO memory is impractical.

It is also possible to run each print engine controller 148 at twice the rate so that it can expand each page image twice in the time it takes to print the page image once.

Whenever each page image is expanded twice in parallel, FIFO memory must be doubled to about 1MB.

5.2 Print Engine Controller Architecture

The print engine controller 148 is implemented as a single custom chip.

There are two architectural variants of the print engine controller 148. The shared-memory version, illustrated in Figure 12, uses a local off-chip RDRAM 156 to support the aggregate memory bandwidth required by page expansion and printing. The pipelined version, illustrated in Figure 13, uses dedicated on-chip FIFOs 158, 159, 160.

The shared-memory print engine controller 148 consists of a general-purpose processor 162, a high-speed Rambus interface 164 to the off-chip

RDRAM 156, a small program ROM 166, a DMA controller 168, and an interface 170 to the printer controller bus 150.

Both print engine controllers' page expansion and printing pipeline consists of a standard JPEG decoder 172, a standard Group 4 Fax decoder 174, a
5 custom ditherer/compositor unit 176, and a custom interface 178 to the Memjet printheads 112.

The ditherer/compositor unit 176 and the printhead interface 178 are described in greater detail in co-pending US patent application 09/436,744 which is incorporated herein by reference.

10 In the shared-memory version, the FIFOs are located in the dedicated off-chip RDRAM 156, and all inter-stage communication is controlled by the local processor via the DMA controller 168. In the pipelined version, the FIFOs 158, 159, 160 are on-chip, and the stages are self-synchronizing.

15 In the shared-memory version, the decoders 172, 174 obtain page data from the main processor 138 via the local memory. In the pipelined version, the decoders 172, 174 obtain page data directly from the main processor 138 over the printer controller bus 150.

20 When several print engine controllers 148 are used in unison, such as in a duplexed configuration, they are synchronized via a shared line sync signal on line 180. Only one print engine controller 148, selected via an external master/slave pin 182, generates the line sync signal onto the shared line 180.

5.3 Printhead Timing

Each print engine controller 148 prints an A4/Letter page in one second. Since S-print 10 uses a 12" printhead 112 to print the long dimension of the page (11.7"), the short dimension of the page (8.5") needs to pass the printhead 112 in one second. At 1600 dpi, this equates to a 13.6KHz line rate. This is well within the operating frequency of the Memjet printhead 112, which in the current design exceeds 30KHz.

5.4 Printhead Characterization

Each redundant 12" print engine 26 contains two complete 12" printheads 112, i.e. 76,800 nozzle pairs, characterized and matched so that no paired nozzles are both defective.

Printhead defects are either characterized and matched one segment at a time, or after the entire printhead has been built. In the former case nozzles are tested before integration with the ink path, and so are tested without ink. In the latter case nozzles are tested after integration with the ink path, and so are tested with ink. Segment-wise characterization gives a higher yield, but at a higher testing cost. Segment-wise characterization is therefore only preferable to printhead-wise characterization when defect densities are still high.

The defect list associated with a redundant printhead is stored in the manufacturing database, indexed by the printhead's serial number and recorded as a barcode on its cartridge. When the printhead cartridge is finally inserted into a printer during manufacture, the defect list is retrieved using the barcode, and is written to the flash memory of the printer's embedded printer controller.

If the printhead cartridge is replaced in the field, then a new defect list is downloaded remotely from the manufacturing database to the printer controller via its network interface, using the new printhead cartridge's barcode.

The defect list associated with each redundant printhead pair is copied

from the printer controller's flash memory 154 to the corresponding print engine controller 148 at boot time. During printing, each print engine controller 148 consults its defect list to determine which nozzle of each nozzle pair to direct data to. When one nozzle of a nozzle pair is defective, the print engine controller 148
5 directs data to the other nozzle. Printhead characterization and matching ensures that the two nozzles of a nozzle pair are never both defective.

WE CLAIM:-

1. A print engine for a printer, the print engine including:
a first printhead; and
a second printhead, both printheads including a plurality of inkjet nozzles
5 constructed using microelectromechanical techniques, the printheads being
matched so that defective nozzles in one printhead are substituted by
corresponding, non-defective nozzles in the other printhead.
2. The print engine as claimed in claim 1 in which each printhead is a
10 pagewidth printhead.
3. The print engine as claimed in claim 2 in which the printheads are arranged
side-by-side in spaced, parallel relationship.
- 15 4. The print engine as claimed in claim 3 which includes a transfer roller
rotatably arranged adjacent the printheads for transferring ink from the printheads
to media passing the roller, the printheads being arranged in circumferentially
spaced relationship relative to, and adjacent, the roller, with the printheads
extending parallel to a rotational axis of the roller.
20
5. The print engine as claimed in claim 4 in which the transfer roller is
displaceable into abutment with the printheads when no printing is occurring for
inhibiting evaporation of ink from the printheads.
- 25 6. The print engine as claimed in claim 4 which includes a cleaning station for
cleaning a surface of the transfer roller.
7. The print engine as claimed in claim 4 which includes a drying means
arranged downstream of the roller.

8. The print engine as claimed in claim 1 in which the printheads share a common ink supply.
9. The print engine as claimed in claim 1 in which the printheads, at a time of manufacture, are characterised and matched so that no two corresponding nozzles are both defective.
10. The print engine as claimed in claim 9 which includes a defect list which provides an indication of which nozzle of a matched pair is to be used.
11. The print engine as claimed in claim 10 in which the defect list is encoded and incorporated therein.
12. A printing station for a printer, the printing station including a first print engine as claimed in claim 4; and a second print engine, as claimed in claim 4, arranged in opposed, aligned relationship, with the transfer rollers of the print engines abutting against each other to effect printing on both surfaces of a sheet of print media passing between the transfer rollers.
13. The printing station as claimed in claim 12 in which the printheads of both print engines receive ink from a common ink supply.
14. The printing station as claimed in claim 13 which includes the ink supply, the ink supply comprising a plurality of separate ink cartridges, each of a different color, to provide for color printing.
15. The printing station as claimed in claim 14 which includes an ink reservoir associated with each ink cartridge so that, when an ink cartridge is mounted on its associated reservoir, an interior of the cartridge is in fluid flow communication

with the reservoir via a valve arrangement.

16. The printing station as claimed in claim 12 in which the second print engine is displaceably arranged relative to the first print engine for enabling access to be
5 gained to a print media path defined between the print engines.

17. A method of manufacturing a printhead assembly for a pagewidth printer, the method including the steps of:
providing a first printhead including a plurality of inkjet nozzles
10 constructed using microelectromechanical techniques;
selecting a second printhead of the same construction as the first printhead;
and
matching the first printhead to the second printhead by ensuring that no corresponding, paired nozzles of the two printheads are both defective.

15

18. The method as claimed in claim 17 which includes constructing each printhead from a plurality of segments arranged in end-to-end relationship.

19. The method as claimed in claim 18 which includes characterising and
20 matching printhead defects one segment at a time during construction of the printheads.

20. The method as claimed in claim 19 which includes testing the nozzles of the relevant segments without ink before integration with an ink path.

25

21. The method as claimed in claim 17 which includes characterising and matching printhead defects after each printhead has been assembled in its entirety.

22. The method as claimed in claim 21 which includes testing the nozzles with
30 ink after integration with an ink path.

23. A printhead assembly for a pagewidth printer, the assembly including a pair of printheads, each printhead including a plurality of inkjet nozzles constructed using microelectromechanical techniques, the printheads being selected and
5 matched so that no two corresponding, paired nozzles of the printheads are both defective.

24. The assembly as claimed in claim 23 in which each printhead is constituted by a plurality of segments arranged in end-to-end relationship.
10

25. The assembly as claimed in claim 24 in which printhead defects are characterised and matched one segment at a time.

26. The assembly as claimed in claim 25 in which the nozzles are tested
15 without ink before integration with an ink path.

27. The assembly as claimed in claim 23 in which printhead defects are characterised and matched after completion of the entire printhead.

28. The assembly as claimed in claim 25 in which the nozzles are tested with
20 ink after integration with an ink path.

29. A method of characterising a printhead assembly for a printer, the method including:
25

matching a pair of printheads, each printhead including a plurality of inkjet nozzles constructed using microelectromechanical techniques, such that no corresponding nozzles of the pair of printheads are both defective;

determining which nozzle of a pair is to be used and generating data relating to the nozzle to be used; and
30

encoding said data and associating said encoded data with the printhead

assembly.

5 30. The method as claimed in claim 29 in which the data relating to the nozzles to be used consists of a list of defective nozzles and the method includes storing the defect list in a manufacturing database.

31. The method as claimed in claim 30 which includes indexing the defect list with an identification device of the assembly.

10 32. The method as claimed in claim 30 which includes encoding the defect list in a readable format and applying it to a cartridge of the assembly.

15 33. The method as claimed in claim 32 which includes, when the cartridge is installed in a printer, retrieving the defect list and writing the defect list to a memory means of a printer controller of the printer.

34. A printhead assembly with includes:
a pair of matched printheads, each printhead including a plurality of inkjet nozzles constructed using microelectromechanical techniques, the printheads being
20 matched so that no paired nozzles of the pair of printheads are both defective; and
encoded data relating to a defect list associated with the printheads, the defect list providing data relating to which nozzle of each pair of matched nozzles of the pair of printheads is to be used.

25 35. The assembly as claimed in claim 34 in which the defect list is associated with an identification device of the assembly and is stored in a manufacturing database.

30 36. The assembly as claimed in claim 34 which includes a printhead cartridge, the defect list, in its encoded format, being applied to the cartridge to be readable

by a printer when the cartridge is installed in the printer.

37. A printer controller for an inkjet printer, the controller including:
a processing means for receiving incoming data relating to a description of
5 a page to be printed, said descriptions containing color data and black text data;
a memory means in which the data are stored;
a rasterizing and compressing means for rasterizing and compressing the
data, the compression of the color data and the black text data being effected
separately from each other; and
10 a printhead controller for receiving, decompressing and processing said
data for printing via a printhead under control of the printhead controller.

38. The printer controller as claimed in claim 37 in which the rasterizing and
compressing means includes at least one raster image processor (RIP) digital
15 signal processor (DSP).

39. The printer controller as claimed in claim 38 in which the, or each, RIP
DSP communicates with the processing means via a data communications means,
the processing means feeding and synchronizing the, or each, RIP DSP, the
20 rasterizing and compressing means, and the printhead controller.

40. The printer controller as claimed in claim 39 in which the, or each, RIP
DSP communicates with the memory means via the processing means and the data
communications means for storing rasterized and compressed data in the memory
25 means.

41. The printer controller as claimed in claim 37 in which the memory means is
a hard disk which communicates with the processing means via a disk controller
and a data communications means.

42. In an inkjet printer controller, a method of printing a description of a page containing color data and black text data, the method including the steps of:

receiving said data relating to a description of a page to be printed from a host processor;

5 storing the received data in a memory means;

rasterizing and compressing the received data to create a compressed page format, the compression of the color data and the black text data being effected separately from each other;

10 feeding the compressed page format data to a printhead controller; and

expanding the compressed page format data in the printhead controller prior to printing of the image.

43. The method as claimed in claim 42 which includes, prior to feeding the compressed page format data to the printhead controller, storing the compressed page format data in the memory means.

44. The method as claimed in claim 42 which includes, as the data are expanded, feeding the expanded data to at least one printhead controlled by the printhead controller.

20 45. The method as claimed in claim 44 which includes, when the printhead controller receives the compressed page format data, storing the data in a local memory means of the printhead controller.

25 46. A printhead controller for controlling printing of a page by at least one printhead, the printhead controller being connected, in use, via a data communications link to a printer controller for receiving data, in a compressed format, relating to the page to be printed, the data including a page description comprising a bi-level black layer and a contone color layer, the printhead controller including:

30

a first decoding means for expanding compressed data relating to the bi-level black layer;

a second decoding means for expanding compressed data relating to the contone color layer, the first and second decoding means being arranged in parallel;

a first temporary storage device for storing the expanded data from the first decoding means;

a second temporary storage device for storing the expanded data from the second decoding means;

a data manipulating means for manipulating the data output from the first and second temporary storage devices to be fed to the printhead; and

a printhead interface at an output from the data manipulating means for controlling at least one printhead connectable to the interface and for feeding the manipulated data to the printhead.

15

47. The printhead controller as claimed in claim 46 in which the first decoding means is a lossless bi-level decompression device for decompressing the bi-level black layer.

20

48. The printhead controller as claimed in claim 46 in which the second decoding means is a high-quality lossy decompression device for decompressing the contone color layer.

25

49. The printhead controller as claimed in claim 46 in which the data manipulating means includes a ditherer/compositor unit and a third temporary storage device at an output to the unit, the unit being operable to composite the bi-level black layer on the contone color layer after dithering of the color layer.

30

50. The printhead controller as claimed in claim 49 in which each of the first temporary storage device, the second temporary storage device and the third

temporary storage device is a dedicated, on-chip FIFO.

51. The printhead controller as claimed in claim 46 which functions as a self-synchronising pipeline.

5

52. In a printhead controller for controlling printing of a page by a printhead, the printhead controller being connected, in use, via a data communications link to a printer controller for receiving data, in a compressed format, relating to the page to be printed, the data including a page description comprising a bi-level black layer and a contone color layer, a method of controlling at least one printhead connected to the printhead controller, the method including the steps of:

10

expanding compressed data relating to the bi-level black layer;
expanding compressed data relating to the contone color layer;
storing the expanded data in first and second temporary storage devices,

15

respectively;
feeding the expanded data from the storage devices to a data manipulating means;

manipulating the data into a format suitable for printing;
loading at least one printhead with dots to be printed in accordance with

20

the formatted, manipulated data; and
printing the dots.

53. The method as claimed in claim 52 in which the steps of expanding the two layers occurs substantially simultaneously.

25

54. The method as claimed in claim 52 which includes expanding the data relating to the bi-level black layer using a lossless bi-level decompression device.

55. The method as claimed in claim 52 which includes expanding the data relating to the contone color layer using a high quality lossy decompression

30

device.

56. The method as claimed in claim 52 in which the manipulating of the data includes dithering the contone color layer, compositing the bi-level black layer on
5 the dithered contone color layer and temporarily storing a dithered/composited layer so formed in a storage device prior to printing the dots.

57. The method as claimed in claim 52 which includes operating the printhead controller as a self-synchronising pipeline.

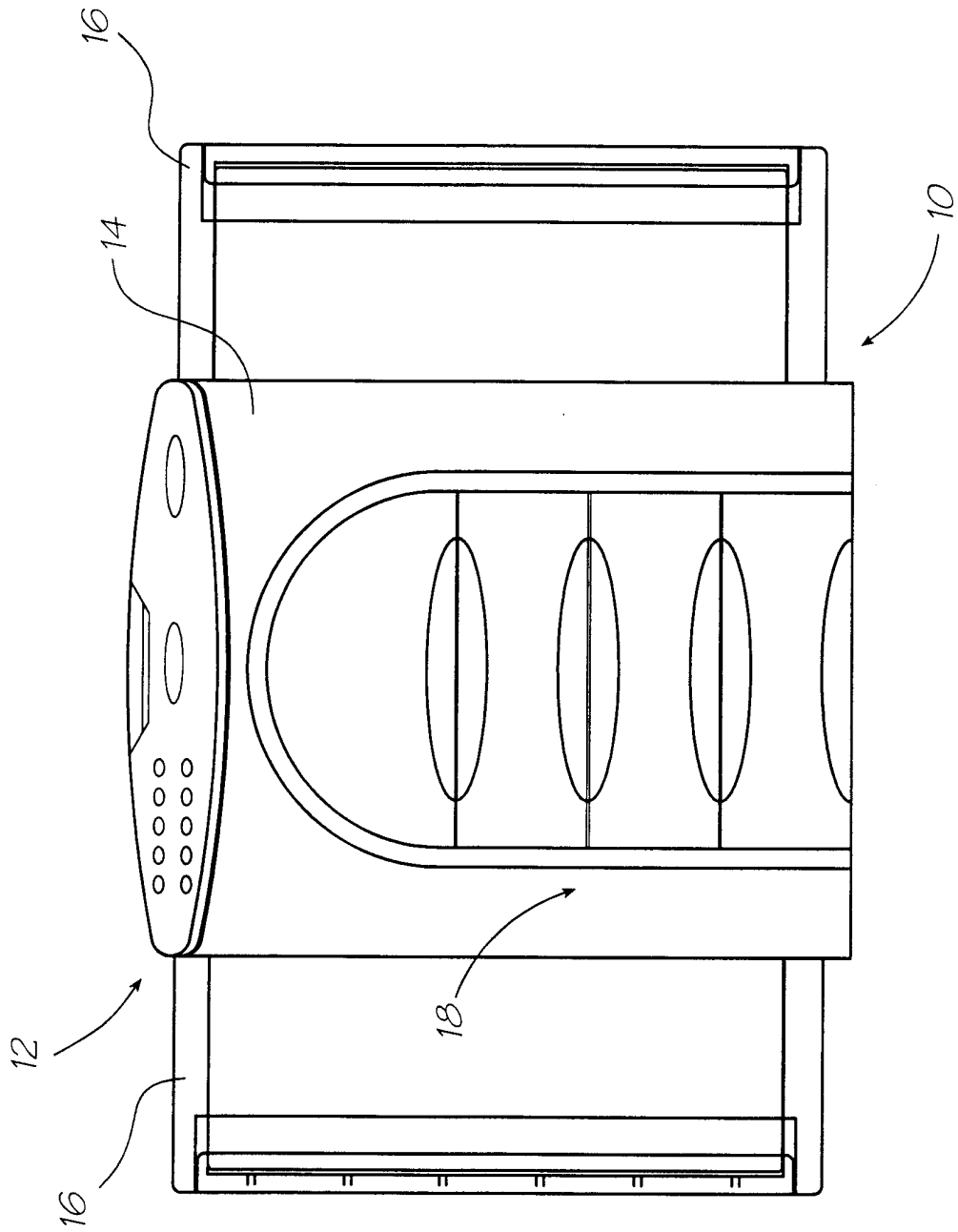


FIG. 1

2/12

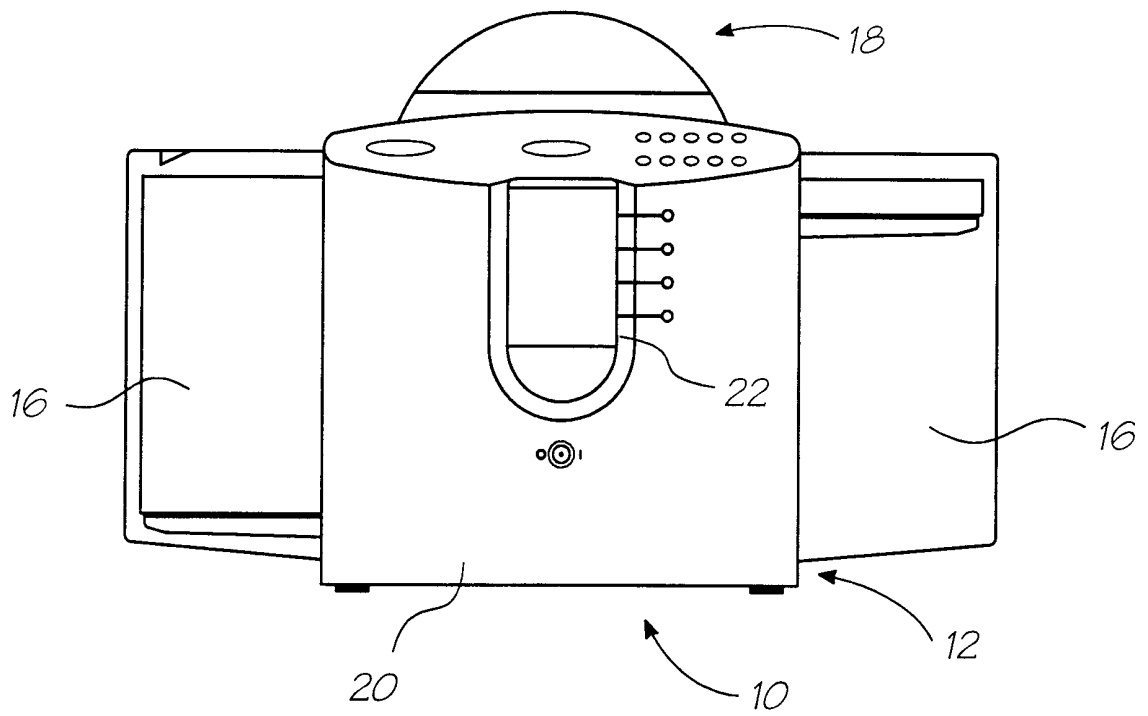


FIG. 2

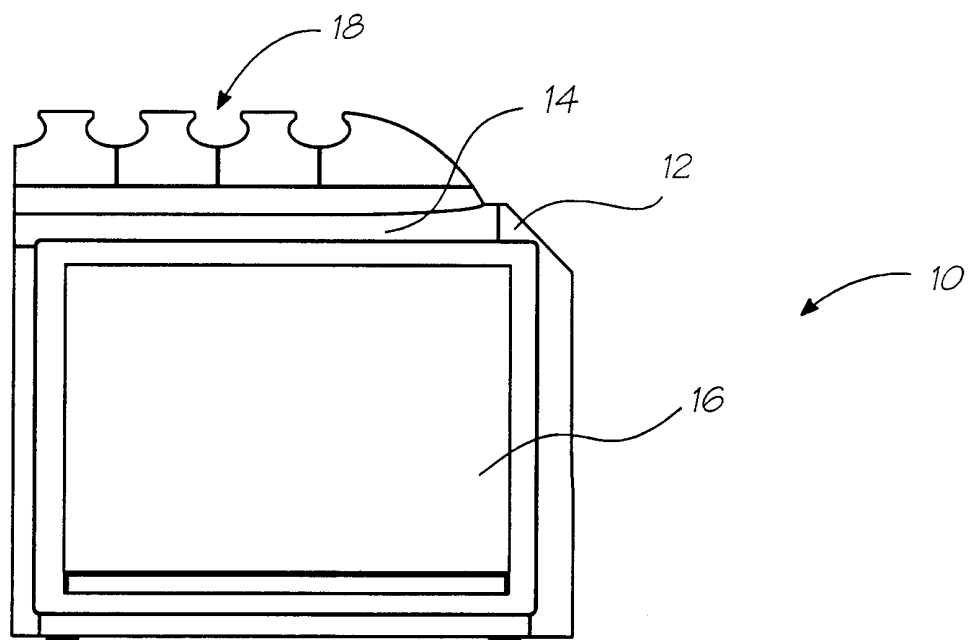


FIG. 3

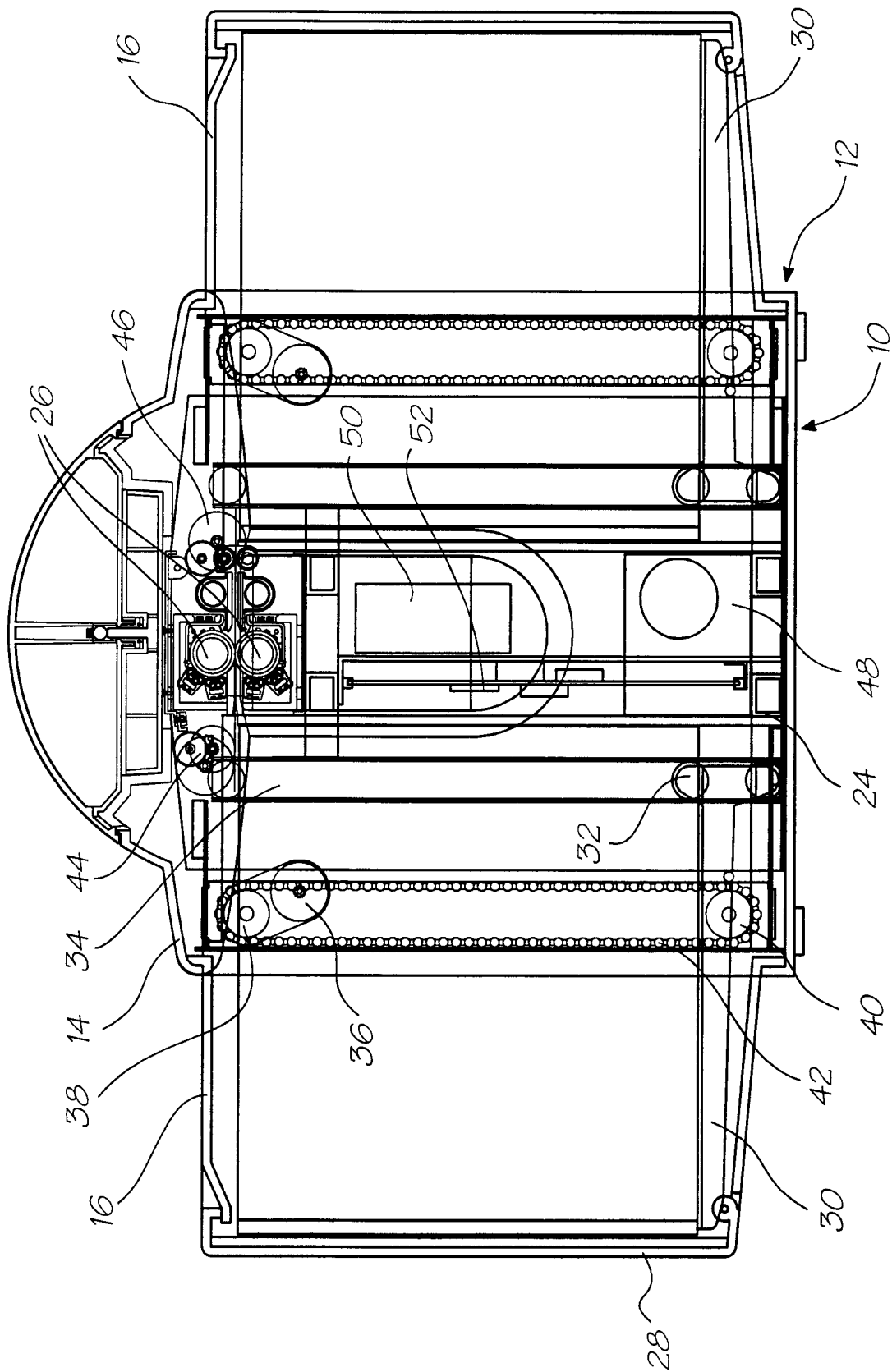


FIG. 4

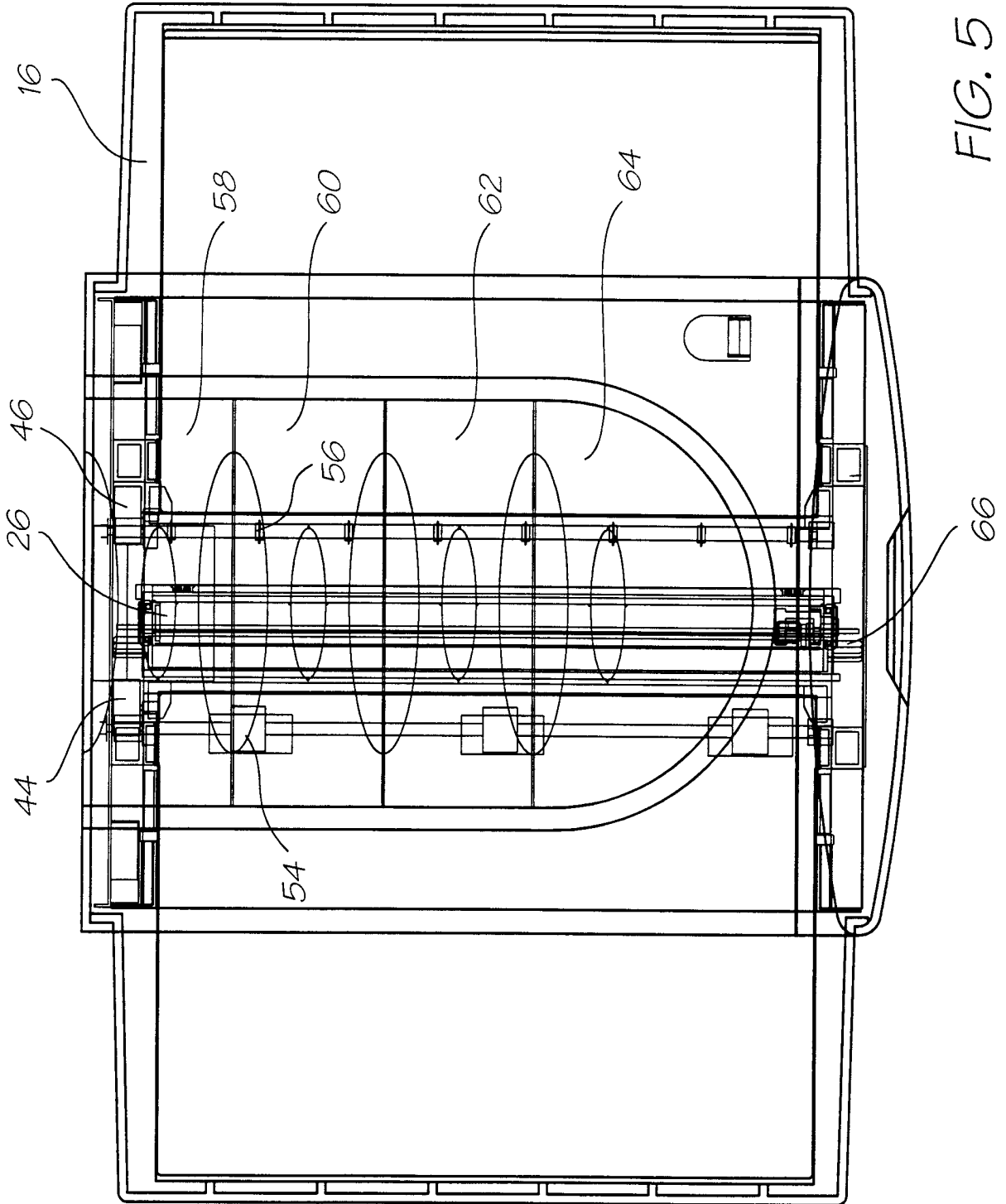


FIG. 5

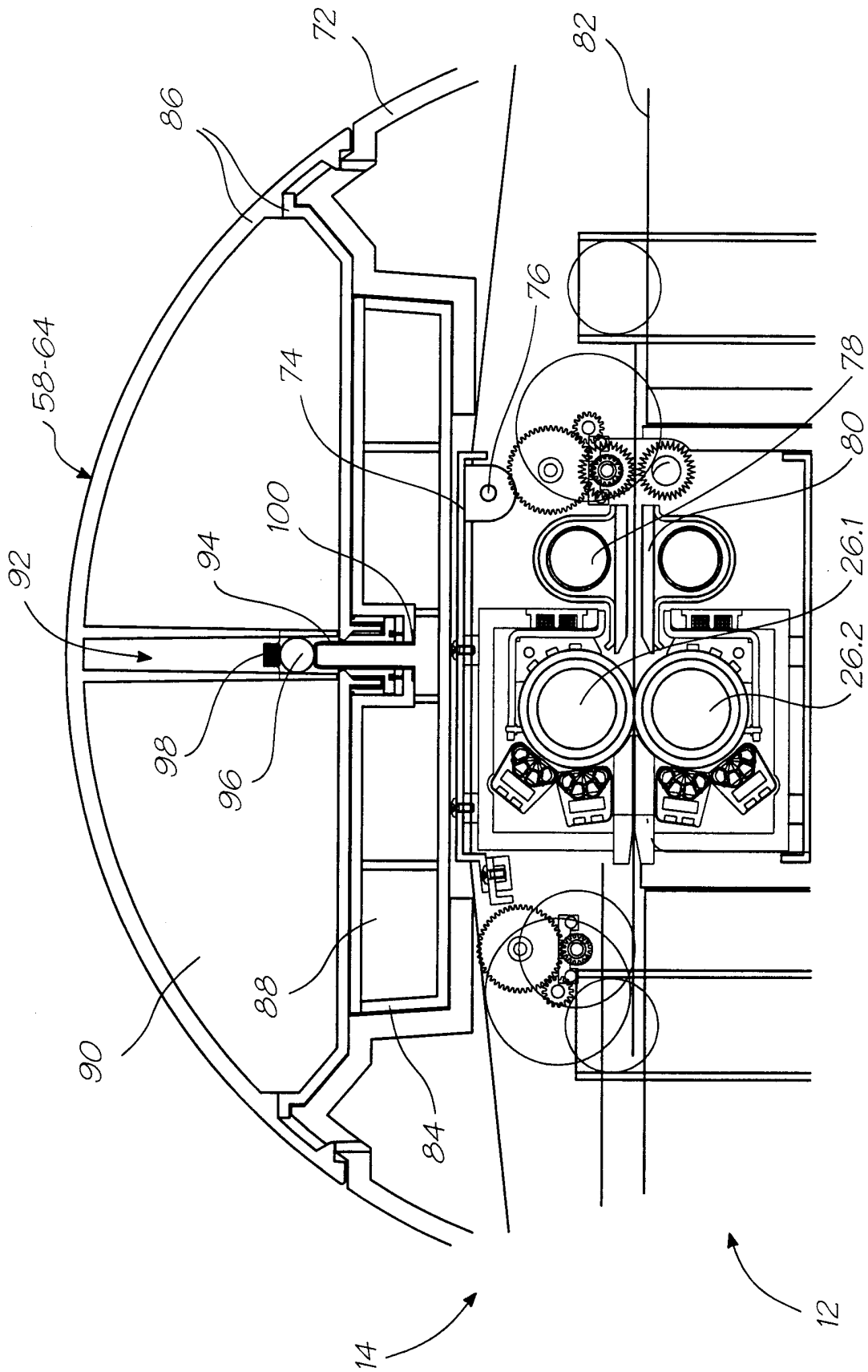


FIG. 6

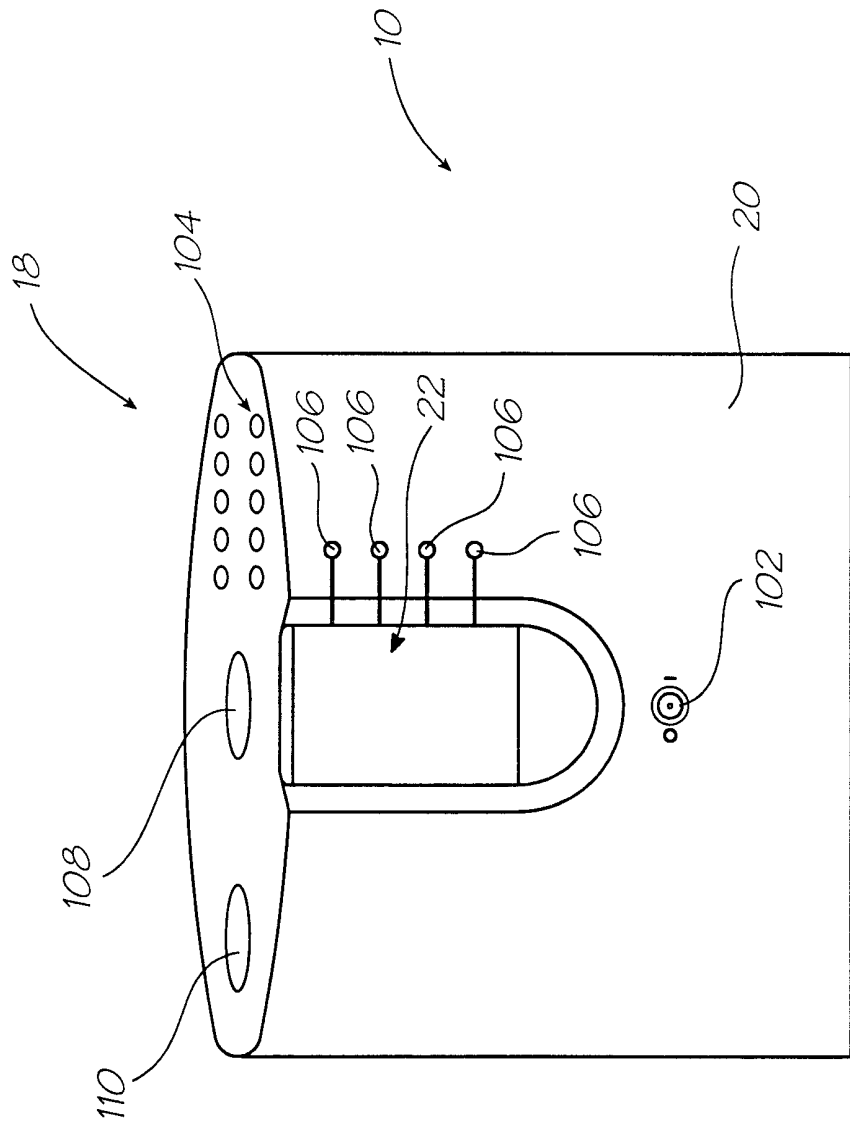


FIG. 7

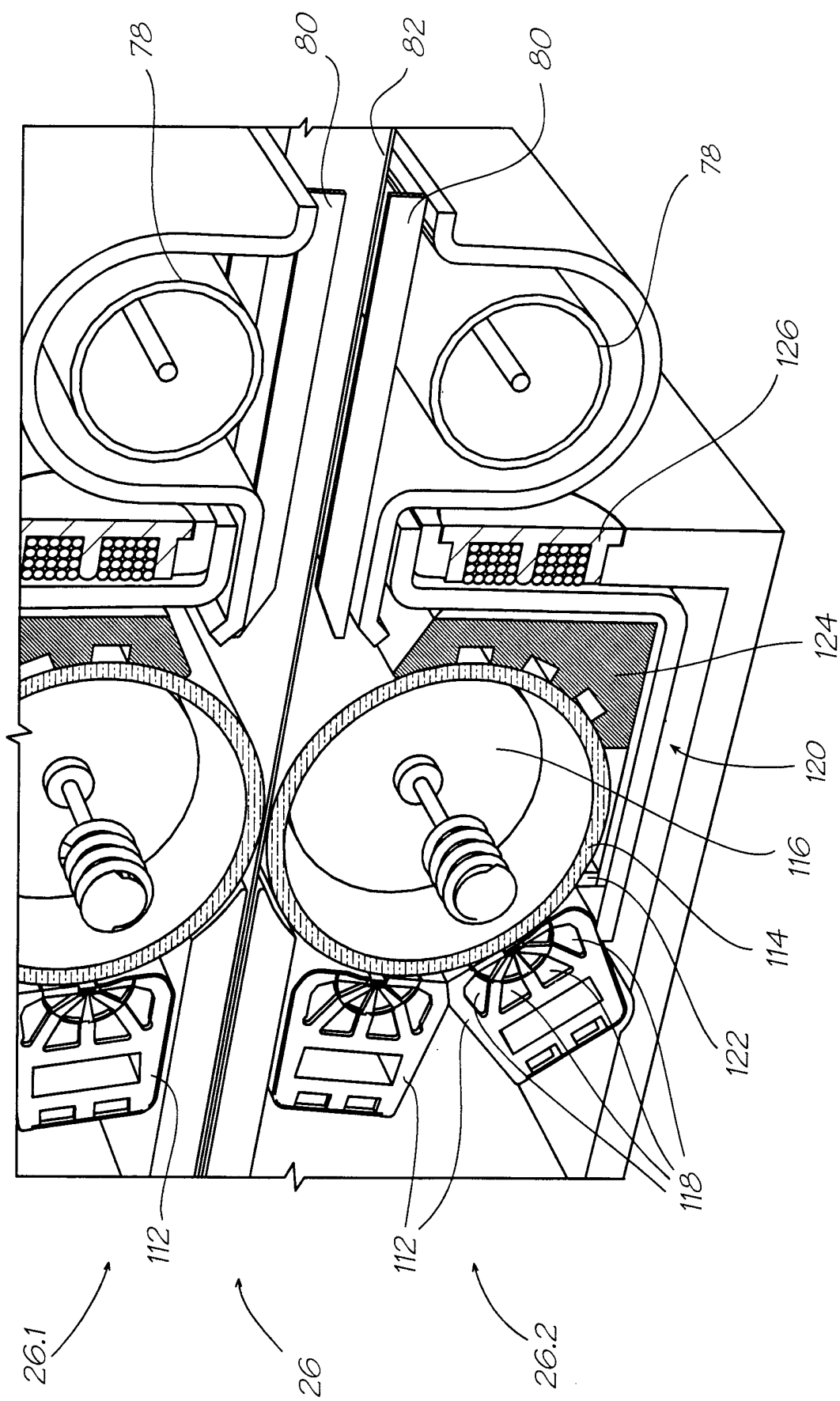


FIG. 8

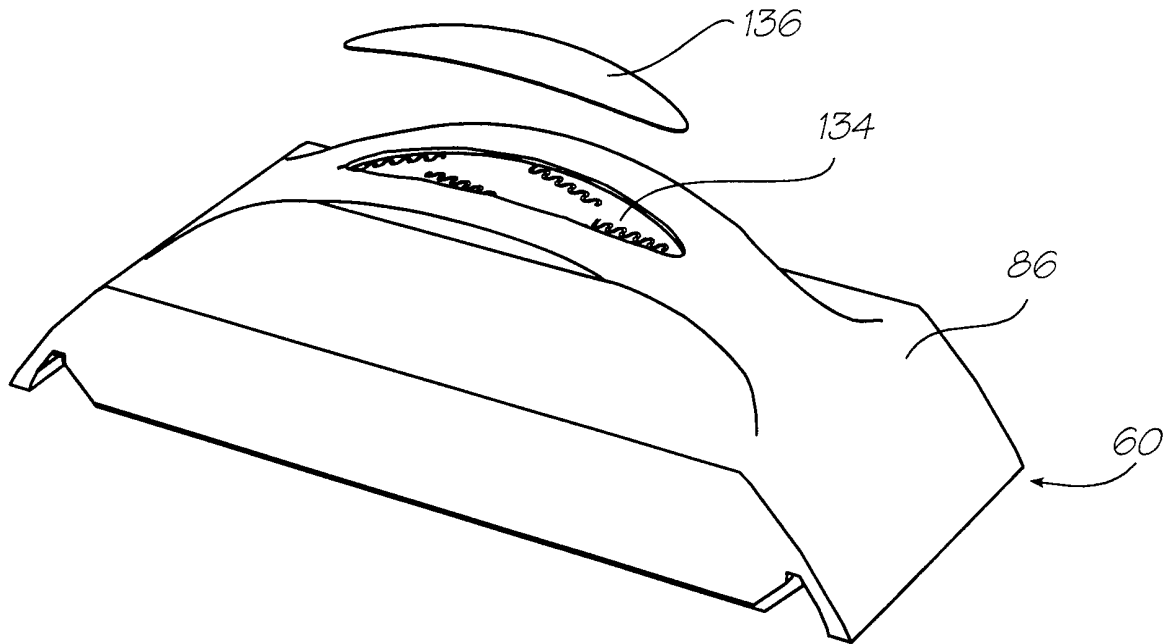


FIG. 9a

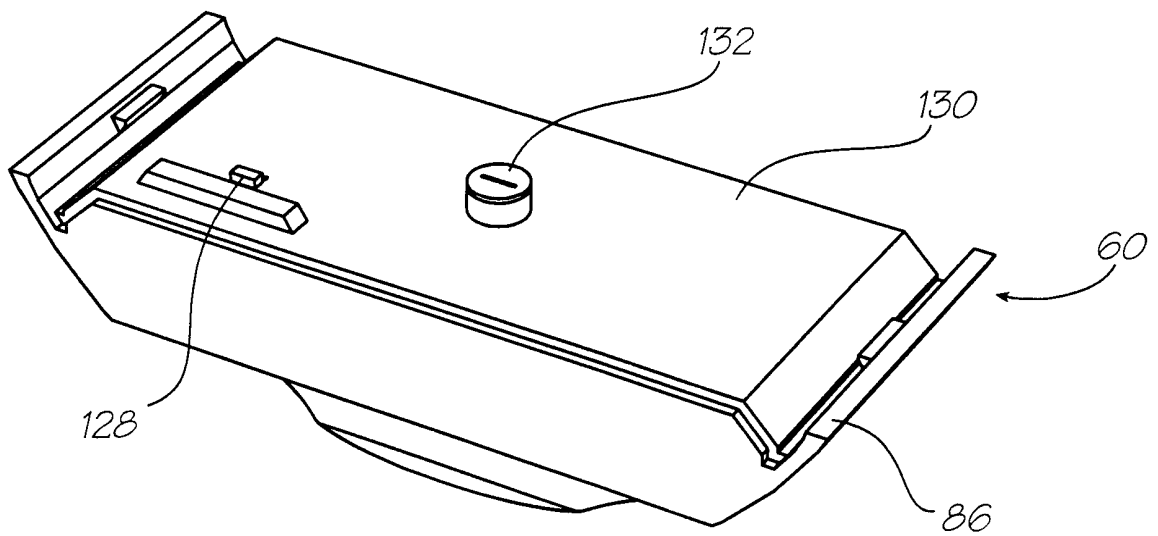


FIG. 9b

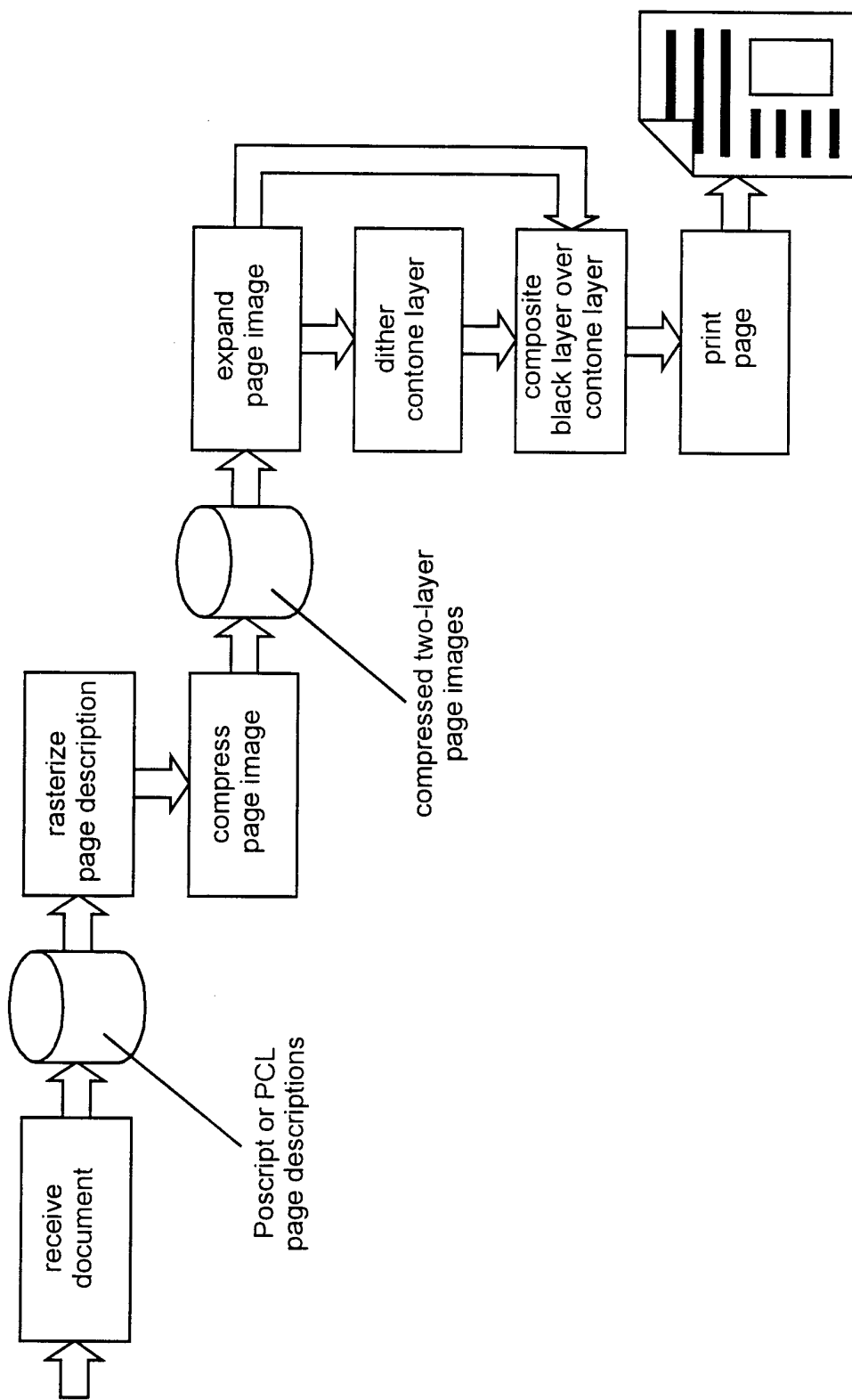


FIG. 10

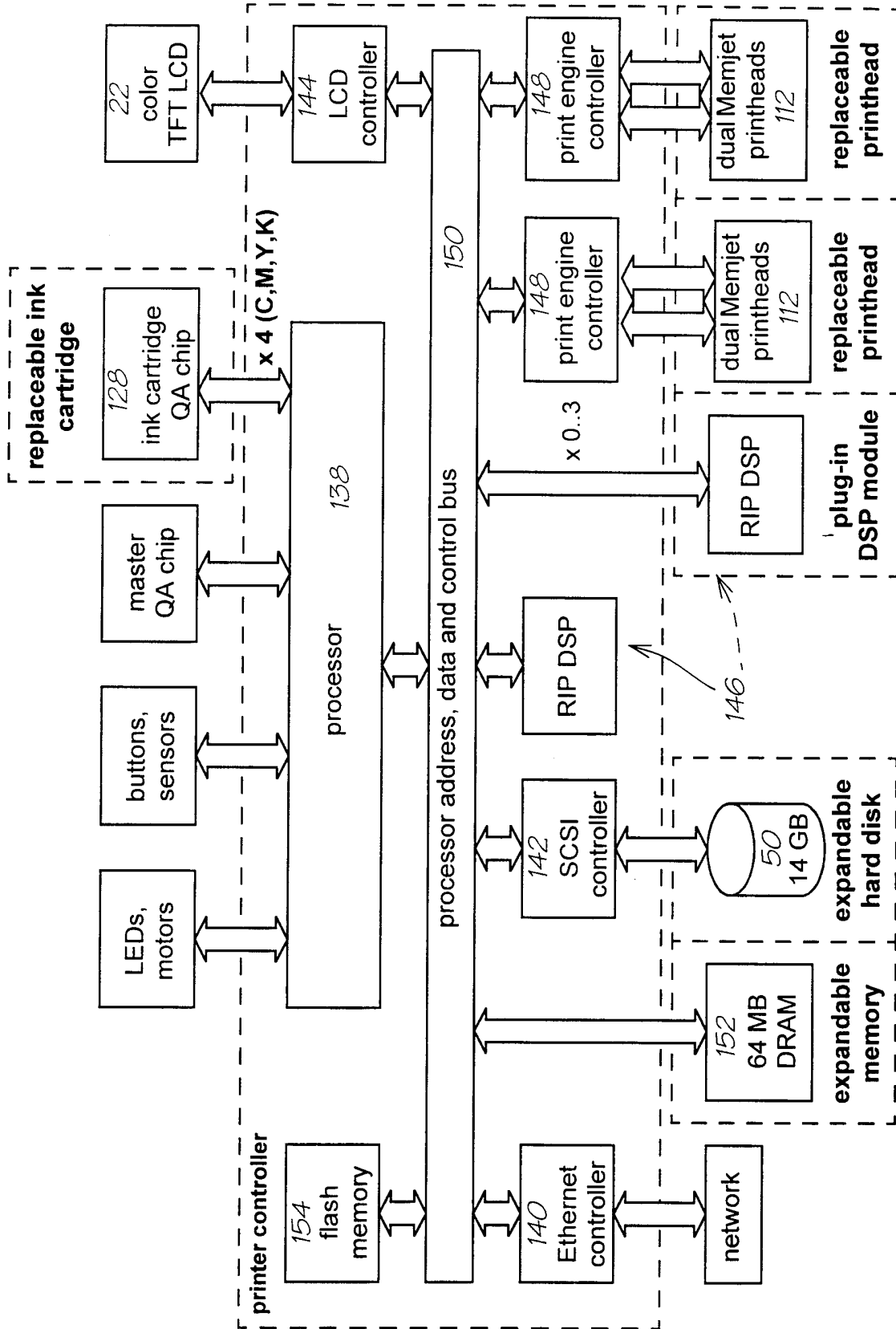


FIG. 11

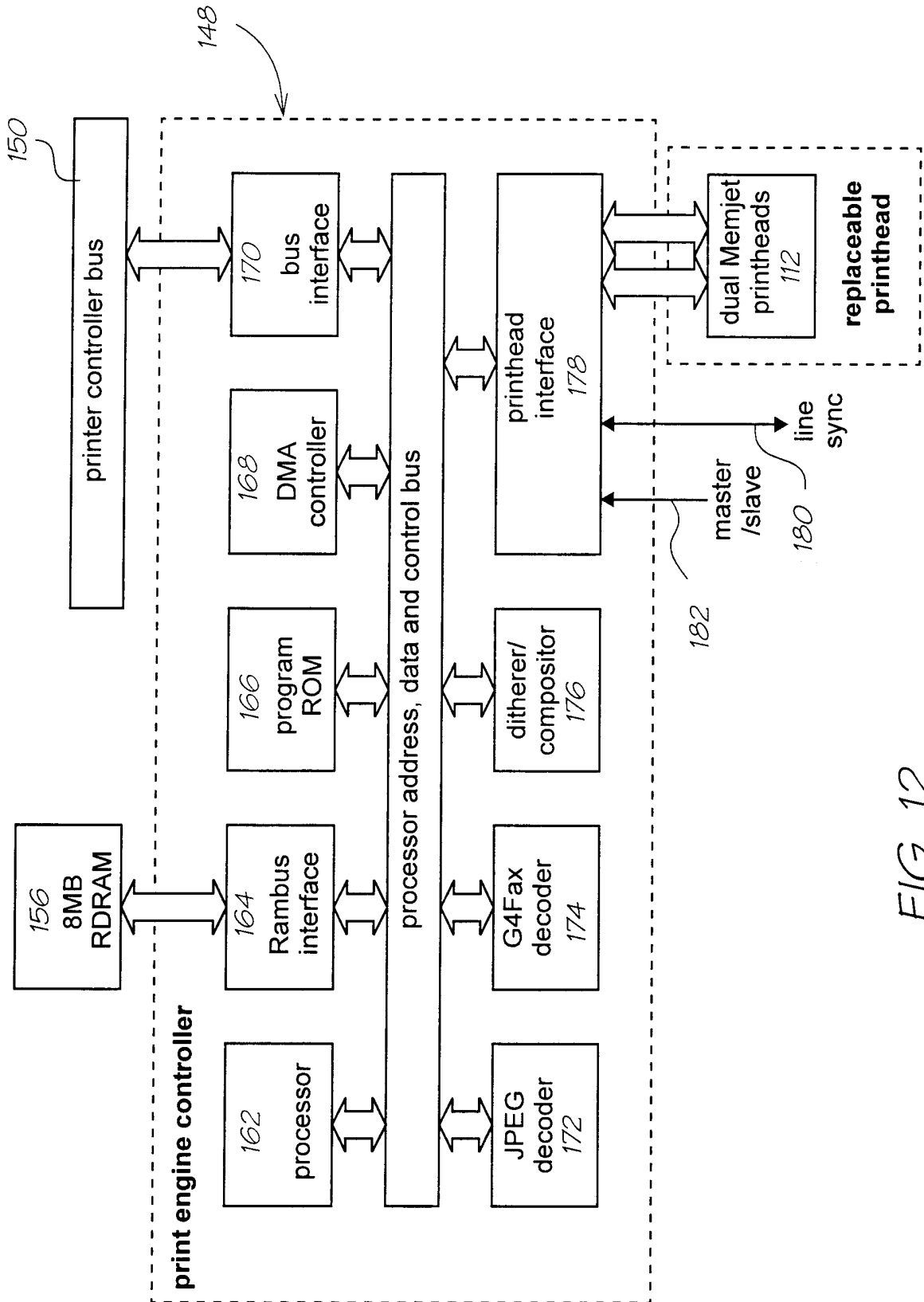


FIG. 12

12/12

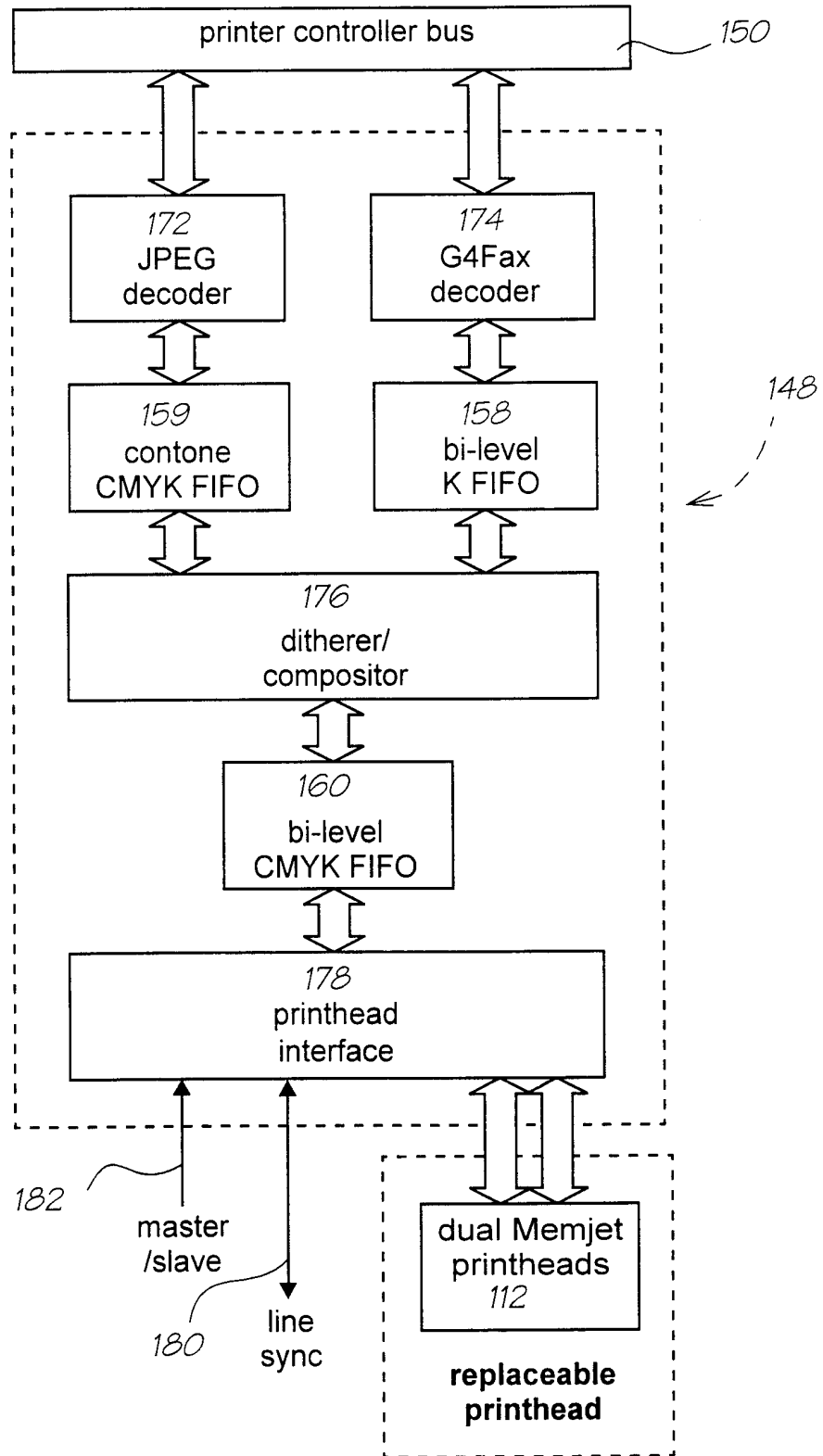


FIG. 13

INTERNATIONAL SEARCH REPORT

International application No.
PCT/AU00/00114

A. CLASSIFICATION OF SUBJECT MATTER																	
Int. Cl. ^{7:} B41J 2/14, 2/145, 2/235																	
According to International Patent Classification (IPC) or to both national classification and IPC																	
B. FIELDS SEARCHED																	
Minimum documentation searched (classification system followed by classification symbols) IPC : B41J 2/-																	
Documentation searched other than minimum documentation to the extent that such documents are included in the fields searched																	
Electronic data base consulted during the international search (name of data base and, where practicable, search terms used) DWPI, JAPIO																	
C. DOCUMENTS CONSIDERED TO BE RELEVANT																	
Category*	Citation of document, with indication, where appropriate, of the relevant passages	Relevant to claim No.															
X	WO 99/08875 A (ENCAD, INC.) 25 February 1999 Entire document	1-36															
X	US 5124720 A (SCHANTZ) 23 June 1992 Entire document	1-36															
A	US 5665249 A (BURKE et al.) 9 September 1997 abstract																
<input type="checkbox"/> Further documents are listed in the continuation of Box C <input checked="" type="checkbox"/> See patent family annex																	
* Special categories of cited documents: <table border="0" style="width: 100%;"> <tr> <td style="width: 33%;">"A" document defining the general state of the art which is not considered to be of particular relevance</td> <td style="width: 33%;">"T" later document published after the international filing date or priority date and not in conflict with the application but cited to understand the principle or theory underlying the invention</td> <td style="width: 33%;"></td> </tr> <tr> <td>"E" earlier application or patent but published on or after the international filing date</td> <td>"X" document of particular relevance; the claimed invention cannot be considered novel or cannot be considered to involve an inventive step when the document is taken alone</td> <td></td> </tr> <tr> <td>"L" document which may throw doubts on priority claim(s) or which is cited to establish the publication date of another citation or other special reason (as specified)</td> <td>"Y" document of particular relevance; the claimed invention cannot be considered to involve an inventive step when the document is combined with one or more other such documents, such combination being obvious to a person skilled in the art</td> <td></td> </tr> <tr> <td>"O" document referring to an oral disclosure, use, exhibition or other means</td> <td>"&" document member of the same patent family</td> <td></td> </tr> <tr> <td>"P" document published prior to the international filing date but later than the priority date claimed</td> <td></td> <td></td> </tr> </table>			"A" document defining the general state of the art which is not considered to be of particular relevance	"T" later document published after the international filing date or priority date and not in conflict with the application but cited to understand the principle or theory underlying the invention		"E" earlier application or patent but published on or after the international filing date	"X" document of particular relevance; the claimed invention cannot be considered novel or cannot be considered to involve an inventive step when the document is taken alone		"L" document which may throw doubts on priority claim(s) or which is cited to establish the publication date of another citation or other special reason (as specified)	"Y" document of particular relevance; the claimed invention cannot be considered to involve an inventive step when the document is combined with one or more other such documents, such combination being obvious to a person skilled in the art		"O" document referring to an oral disclosure, use, exhibition or other means	"&" document member of the same patent family		"P" document published prior to the international filing date but later than the priority date claimed		
"A" document defining the general state of the art which is not considered to be of particular relevance	"T" later document published after the international filing date or priority date and not in conflict with the application but cited to understand the principle or theory underlying the invention																
"E" earlier application or patent but published on or after the international filing date	"X" document of particular relevance; the claimed invention cannot be considered novel or cannot be considered to involve an inventive step when the document is taken alone																
"L" document which may throw doubts on priority claim(s) or which is cited to establish the publication date of another citation or other special reason (as specified)	"Y" document of particular relevance; the claimed invention cannot be considered to involve an inventive step when the document is combined with one or more other such documents, such combination being obvious to a person skilled in the art																
"O" document referring to an oral disclosure, use, exhibition or other means	"&" document member of the same patent family																
"P" document published prior to the international filing date but later than the priority date claimed																	
Date of the actual completion of the international search 28 March 2000		Date of mailing of the international search report 3 APR 2000															
Name and mailing address of the ISA/AU AUSTRALIAN PATENT OFFICE PO BOX 200, WODEN ACT 2606, AUSTRALIA E-mail address: pct@ipaustralia.gov.au Facsimile No. (02) 6285 3929		Authorized officer A. ALI Telephone No : (02) 6283 2607															

INTERNATIONAL SEARCH REPORT

International application No.

PCT/AU00/00114

Box I Observations where certain claims were found unsearchable (Continuation of item 2 of first sheet)

This international search report has not been established in respect of certain claims under Article 17(2)(a) for the following reasons:

1. Claims Nos :
because they relate to subject matter not required to be searched by this Authority, namely:

2. Claims Nos :
because they relate to parts of the international application that do not comply with the prescribed requirements to such an extent that no meaningful international search can be carried out, specifically:

3. Claims Nos :
because they are dependent claims and are not drafted in accordance with the second and third sentences of Rule 6.4(a)

Box II Observations where unity of invention is lacking (Continuation of item 3 of first sheet)

This International Searching Authority found multiple inventions in this international application, as follows:

Please refer to attached sheet.

1. As all required additional search fees were timely paid by the applicant, this international search report covers all searchable claims
2. As all searchable claims could be searched without effort justifying an additional fee, this Authority did not invite payment of any additional fee.
3. As only some of the required additional search fees were timely paid by the applicant, this international search report covers only those claims for which fees were paid, specifically claims Nos.:

4. No required additional search fees were timely paid by the applicant. Consequently, this international search report is restricted to the invention first mentioned in the claims; it is covered by claims Nos.: 1-36

Remark on Protest

- The additional search fees were accompanied by the applicant's protest.
- No protest accompanied the payment of additional search fees.

INTERNATIONAL SEARCH REPORT

International application No.

PCT/AU00/00114

Supplemental Box

(To be used when the space in any of Boxes I to VIII is not sufficient)

Lack of Unity of Invention

The international application does not comply with the requirements of unity of invention because it does not relate to one invention or to a group of inventions so linked as to form a single general inventive concept. In coming to this conclusion the International Searching Authority has found that there are different inventions as follows:

1. **Claims 1-36. It is considered that matching a pair of printheads, each printhead including a plurality of inkjet nozzles constructed using microelectromechanical techniques, such that no corresponding nozzles of the pair of printheads are both defective comprises a first "special technical feature".**
2. **Claims 37-45. It is considered that a rastering and compressing means for rastering and compressing the data, the compression of the color data and the black data being effected separately from each other comprises a second "special technical feature".**
3. **Claims 46-57. It is considered that expanding compressed data relating to bi-level black layer and contone color layer, storing, feeding and manipulating the expanded data comprises a third "special technical feature".**

Since the abovementioned groups of claims do not share any of the technical features identified, a "technical relationship" between the inventions, as defined in PCT rule 13.2 does not exist. Accordingly the international application does not relate to one invention or to a single inventive concept, a priori.

INTERNATIONAL SEARCH REPORT
Information on patent family members

International application No.
PCT/AU00/00114

This Annex lists the known "A" publication level patent family members relating to the patent documents cited in the above-mentioned international search report. The Australian Patent Office is in no way liable for these particulars which are merely given for the purpose of information.

Patent Document Cited in Search Report	Patent Family Member
WO 99/08875	AU 87650/98
US 5124720	JP 4226772
US 5665249	JP 8118653

END OF ANNEX