

(19) World Intellectual Property Organization
International Bureau



(43) International Publication Date
21 February 2008 (21.02.2008)

PCT

(10) International Publication Number
WO 2008/021232 A3

- (51) International Patent Classification:
H01M 8/24 (2006.01)
- (21) International Application Number:
PCT/US2007/017790
- (22) International Filing Date: 9 August 2007 (09.08.2007)
- (25) Filing Language: English
- (26) Publication Language: English
- (30) Priority Data:
60/836,859 9 August 2006 (09.08.2006) US
11/835,747 8 August 2007 (08.08.2007) US
- (71) Applicant (for all designated States except US): **ULTRA-CELL CORPORATION** [US/US]; 399 Lindbergh Avenue, Livermore, California 94551 (US).
- (72) Inventors; and
- (75) Inventors/Applicants (for US only): **SOMOGYVARI,**

- Arpad [CA/US]; 1867 Mill Springs Common #113, Livermore, California 94550 (US). **NEWELL, Kenneth** [US/US]; 4435 First Street #223, Livermore, California 94551 (US). **THOMPSON, Jesse** [US/US]; 685 Winding Creek Terrace, Brentwood, California 94513 (US). **SOPCHAK, David** [US/US]; 7403 Skyline Boulevard, Oakland, California 94611 (US). **BRANTLEY, Jennifer** [US/US]; 6450 Dougherty Road, Apt. 538, Dublin, California 94568 (US). **KAYE, Ian W.** [US/US]; 1307 Chateau Common, Livermore, California 94550 (US).
- (74) Agents: **YEUNG, Adrienne** et al.; Beyer Weaver LLP, P.O. Box 70250, Oakland, California 94612-0250 (US).
- (81) Designated States (unless otherwise indicated, for every kind of national protection available): AE, AG, AL, AM, AT, AU, AZ, BA, BB, BG, BH, BR, BW, BY, BZ, CA, CH, CN, CO, CR, CU, CZ, DE, DK, DM, DO, DZ, EC, EE, EG, ES, FI, GB, GD, GE, GH, GM, GT, HN, HR, HU, ID, IL, IN, IS, JP, KE, KG, KM, KN, KP, KR, KZ, LA, LC, LK, LR, LS, LT, LU, LY, MA, MD, ME, MG, MK, MN, MW, MX, MY, MZ, NA, NG, NI, NO, NZ, OM, PG, PH, PL,

[Continued on next page]

(54) Title: FUEL PROCESSOR FOR USE IN A FUEL CELL SYSTEM

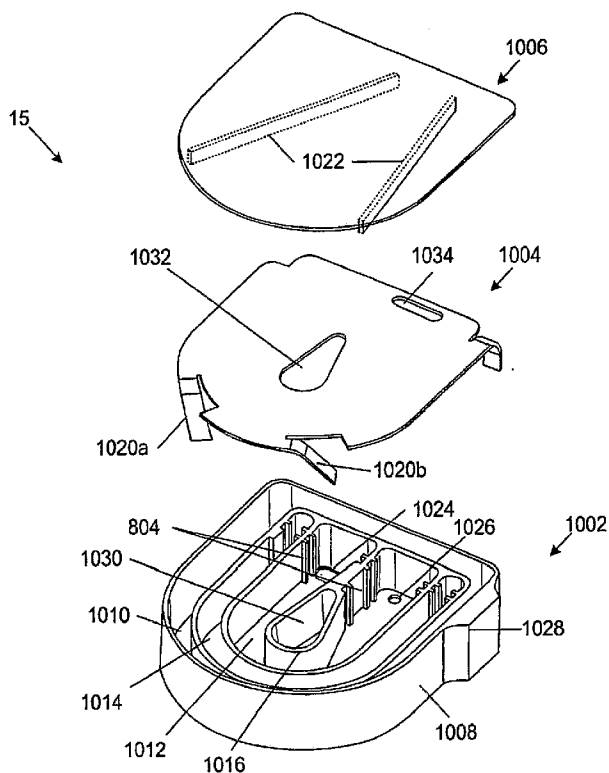


FIG. 10A

(57) Abstract: In one embodiment, a fuel processor for use in a fuel cell system, may have a bottom plate, having a regenerator having a first inlet to receive an air flow, a burner flow chamber within the regenerator, the burner flow chamber having a second inlet to receive the air flow from the regenerator, and a reformer flow chamber positioned between the regenerator and the burner flow chamber, the reformer flow chamber having a third inlet to receive the air flow from the burner chamber, wherein the burner flow chamber and the reformer flow chamber is formed of a monolithic structure having an elongated, rounded baffle in the center of the monolithic structure. The fuel processor may also have a top plate coupled to the bottom plate to enclose the fuel processor, the top plate having a top surface and a bottom surface.

WO 2008/021232 A3



PT, RO, RS, RU, SC, SD, SE, SG, SK, SL, SM, SV, SY,
TJ, TM, TN, TR, TT, TZ, UA, UG, US, UZ, VC, VN, ZA,
ZM, ZW.

PT, RO, SE, SI, SK, TR), OAPI (BF, BJ, CF, CG, CI, CM,
GA, GN, GQ, GW, ML, MR, NE, SN, TD, TG).

(84) Designated States (*unless otherwise indicated, for every kind of regional protection available*): ARIPO (BW, GH, GM, KE, LS, MW, MZ, NA, SD, SL, SZ, TZ, UG, ZM, ZW), Eurasian (AM, AZ, BY, KG, KZ, MD, RU, TJ, TM), European (AT, BE, BG, CH, CY, CZ, DE, DK, EE, ES, FI, FR, GB, GR, HU, IE, IS, IT, LT, LU, LV, MC, MT, NL, PL,

Published:

- *with international search report*
- *before the expiration of the time limit for amending the claims and to be republished in the event of receipt of amendments*

(88) Date of publication of the international search report:
18 December 2008

INTERNATIONAL SEARCH REPORT

International application No.

PCT/US07/17790

A. CLASSIFICATION OF SUBJECT MATTER
 IPC: **B01J 7/00(2006.01);H01M 8/04(2006.01)**

USPC: 48/61;422/198,190;429/24,25
 According to International Patent Classification (IPC) or to both national classification and IPC

B. FIELDS SEARCHED

Minimum documentation searched (classification system followed by classification symbols)
 U.S. : 48/61;422/198,190;429/24,25

Documentation searched other than minimum documentation to the extent that such documents are included in the fields searched

Electronic data base consulted during the international search (name of data base and, where practicable, search terms used)

C. DOCUMENTS CONSIDERED TO BE RELEVANT

Category *	Citation of document, with indication, where appropriate, of the relevant passages	Relevant to claim No.
X	US 2006/0107594 A1 (Kuwaba) 25 May 2006, see entire document.	1-29

Further documents are listed in the continuation of Box C. See patent family annex.

* Special categories of cited documents:	
“A” document defining the general state of the art which is not considered to be of particular relevance	“T” later document published after the international filing date or priority date and not in conflict with the application but cited to understand the principle or theory underlying the invention
“E” earlier application or patent published on or after the international filing date	“X” document of particular relevance; the claimed invention cannot be considered novel or cannot be considered to involve an inventive step when the document is taken alone
“L” document which may throw doubts on priority claim(s) or which is cited to establish the publication date of another citation or other special reason (as specified)	“Y” document of particular relevance; the claimed invention cannot be considered to involve an inventive step when the document is combined with one or more other such documents, such combination being obvious to a person skilled in the art
“O” document referring to an oral disclosure, use, exhibition or other means	“&” document member of the same patent family
“P” document published prior to the international filing date but later than the priority date claimed	

Date of the actual completion of the international search 01 August 2008 (01.08.2008)	Date of mailing of the international search report 22 OCT 2008
--	--

Name and mailing address of the ISA/US Mail Stop PCT, Attn: ISA/US Commissioner for Patents P.O. Box 1450 Alexandria, Virginia 22313-1450 Facsimile No. (571) 273-3201	Authorized officer Alexa Neckel Telephone No. (571) 272-8520
---	---