



US00D477752S

(12) **United States Design Patent** (10) **Patent No.:** **US D477,752 S**
Slater et al. (45) **Date of Patent:** **** Jul. 29, 2003**

(54) **INSULATED FOOD CONTAINER**

D370,300 S * 5/1996 Gottvald et al. D7/603 X

(75) Inventors: **Owen A. Slater**, Chicago, IL (US);
Martha Harvey, Chicago, IL (US)

* cited by examiner

(73) Assignee: **Thermos L.L.C.**, Rolling Meadows, IL (US)

Primary Examiner—Terry A. Wallace
(74) *Attorney, Agent, or Firm*—Wood, Phillips, Katz, Clark & Mortimer

(**) Term: **14 Years**

(57) **CLAIM**

(21) Appl. No.: **29/160,719**

The ornamental design of a insulated food container, as shown and described.

(22) Filed: **May 15, 2002**

DESCRIPTION

(51) **LOC (7) Cl.** **07-07**

FIG. 1 is a perspective view from above of our insulated food container design;

(52) **U.S. Cl.** **D7/608; D7/615**

FIG. 2 is a perspective view from below of our insulated food container design and taken diametrically opposite from the view of FIG. 1;

(58) **Field of Search** D7/605–608, 612–615, D7/629, 538–542, 603, 604; 62/371, 372, 457.1, 457.4, 457.7, 457.8; 220/737, 739, 915.1, 915.2, 780–795, 796–806, 376; D9/500–503, 428

FIG. 3 is a side elevation of our insulated food container design depicting it as it would appear at any angle about it; FIG. 4 is a plan view of our insulated food container design; and,

(56) **References Cited**

FIG. 5 is a bottom view of our insulated food container design.

U.S. PATENT DOCUMENTS

585,259 A	*	6/1897	Danz, II	206/546
D261,088 S	*	10/1981	Akimov et al.	D7/608
4,537,044 A	*	8/1985	Putnam	62/371
D305,850 S	*	2/1990	Peterson et al.	D7/608
D369,723 S	*	5/1996	McArthur et al.	D7/608

The broken lines are for illustrative purposes only and form no part of the claimed design.

1 Claim, 4 Drawing Sheets

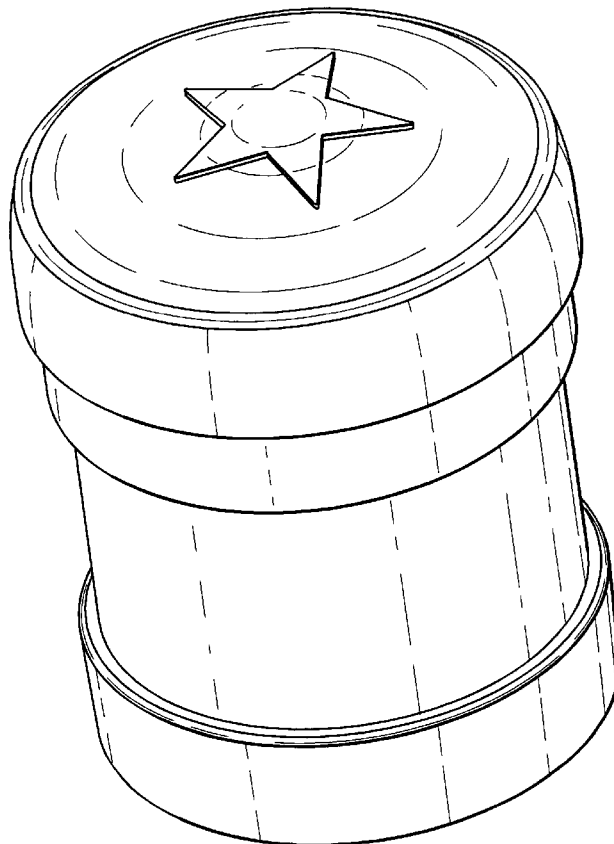


Fig. 1

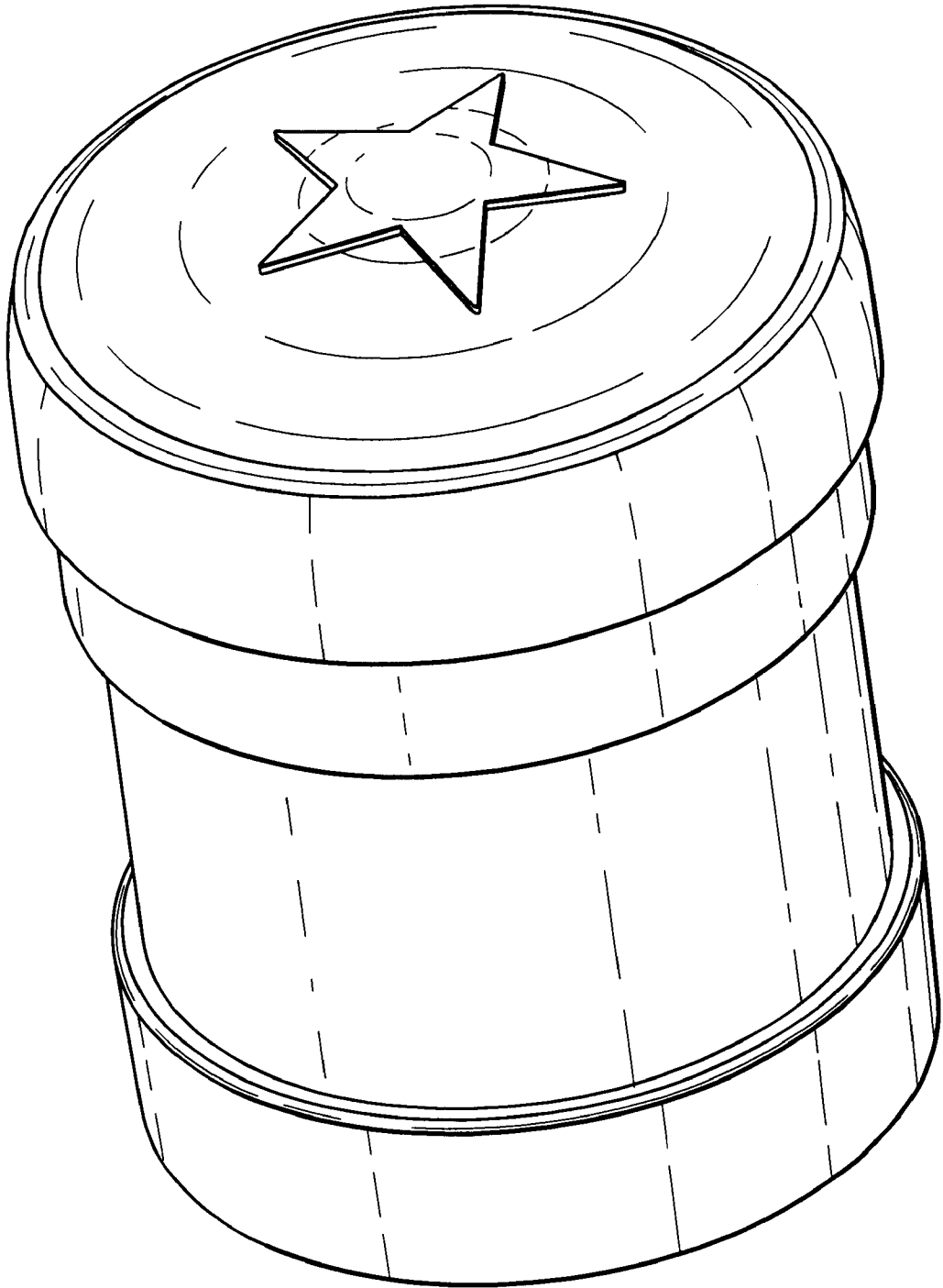


Fig. 2

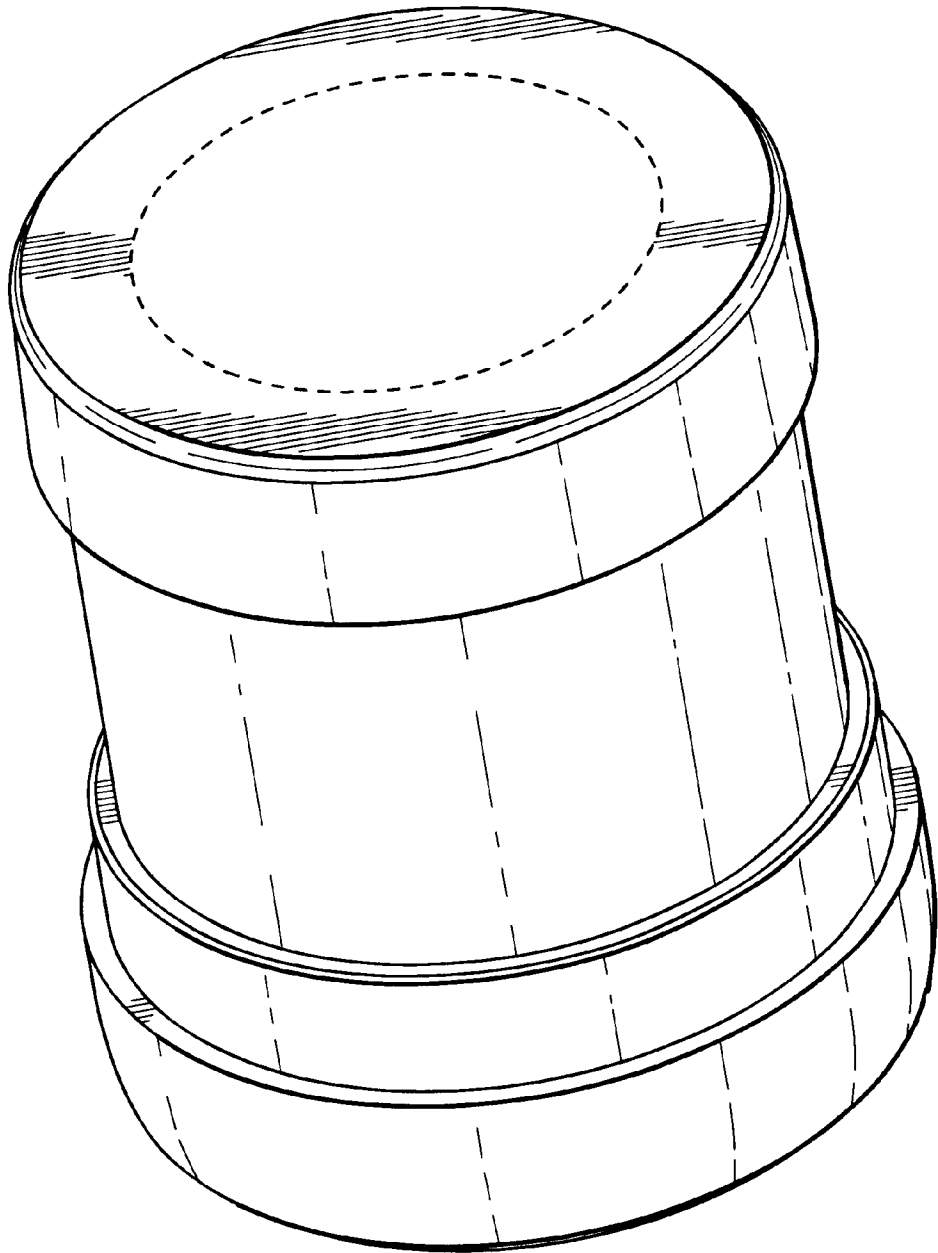


Fig. 3

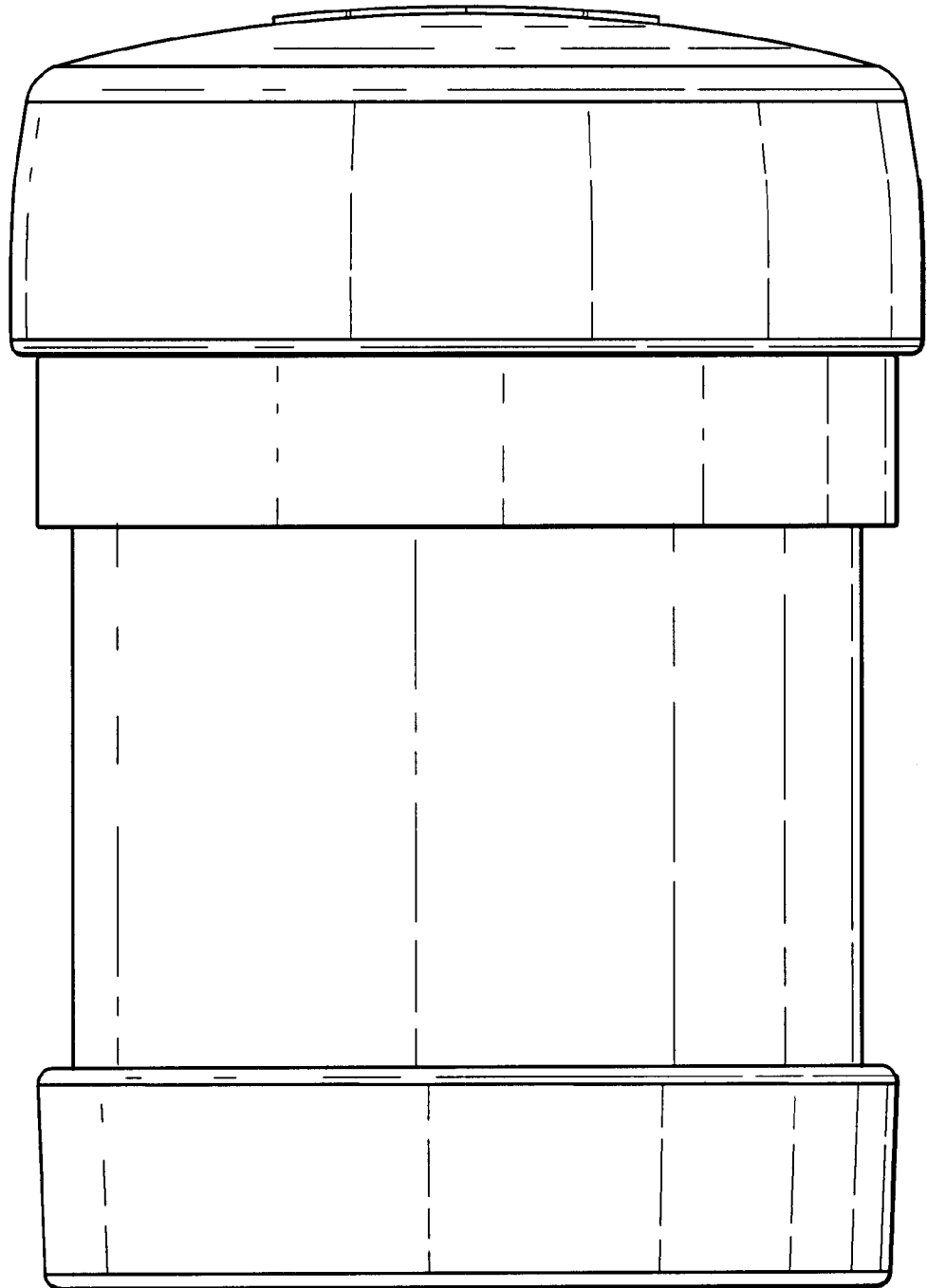


Fig. 4

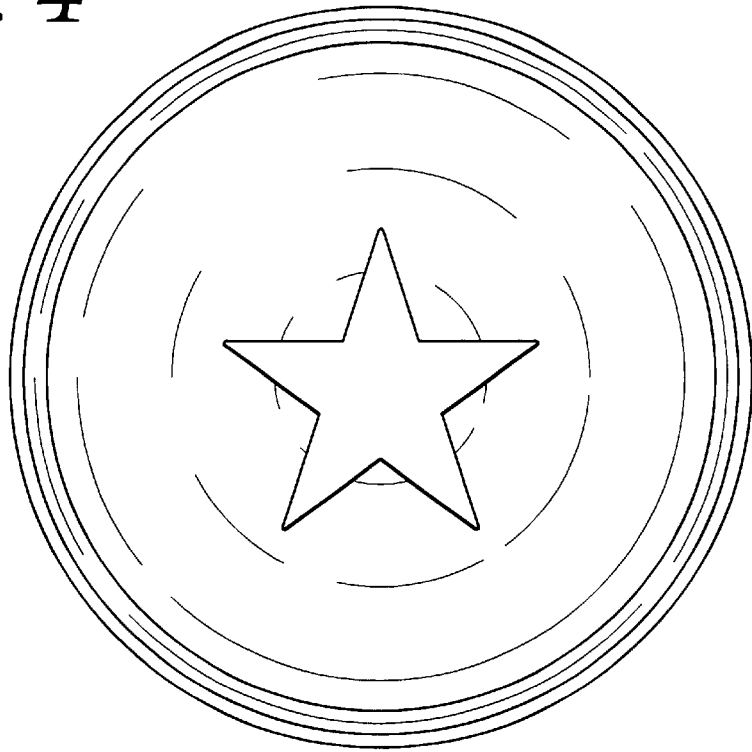


Fig. 5

