

(19) World Intellectual Property Organization  
International Bureau



(43) International Publication Date  
17 January 2008 (17.01.2008)

PCT

(10) International Publication Number  
**WO 2008/008355 A3**

(51) International Patent Classification:  
*F16B 31/00* (2006.01) *F16B 37/08* (2006.01)

(74) Agents: GEIBEL, Dean E. et al.; Fci Usa, Inc., 825 Old Trail Road, Eiters, Pennsylvania 17319 (US).

(21) International Application Number:  
PCT/US2007/015759

(81) Designated States (unless otherwise indicated, for every kind of national protection available): AE, AG, AL, AM, AT, AU, AZ, BA, BB, BG, BH, BR, BW, BY, BZ, CA, CH, CN, CO, CR, CU, CZ, DE, DK, DM, DO, DZ, EC, EE, EG, ES, FI, GB, GD, GE, GH, GM, GT, HN, HR, HU, ID, IL, IN, IS, JP, KE, KG, KM, KN, KP, KR, KZ, LA, LC, LK, LR, LS, LT, LU, LY, MA, MD, ME, MG, MK, MN, MW, MX, MY, MZ, NA, NG, NI, NO, NZ, OM, PG, PH, PL, PT, RO, RS, RU, SC, SD, SE, SG, SK, SL, SM, SV, SY, TJ, TM, TN, TR, TT, TZ, UA, UG, US, UZ, VC, VN, ZA, ZM, ZW.

(22) International Filing Date: 11 July 2007 (11.07.2007)

(25) Filing Language: English

(26) Publication Language: English

(30) Priority Data:  
60/830,248 12 July 2006 (12.07.2006) US  
11/767,038 22 June 2007 (22.06.2007) US

(84) Designated States (unless otherwise indicated, for every kind of regional protection available): ARIPO (BW, GH, GM, KE, LS, MW, MZ, NA, SD, SL, SZ, TZ, UG, ZM, ZW), Eurasian (AM, AZ, BY, KG, KZ, MD, RU, TJ, TM), European (AT, BE, BG, CH, CY, CZ, DE, DK, EE, ES, FI, FR, GB, GR, HU, IE, IS, IT, LT, LU, LV, MC, MT, NL, PL, PT, RO, SE, SI, SK, TR), OAPI (BF, BJ, CF, CG, CI, CM, GA, GN, GQ, GW, ML, MR, NE, SN, TD, TG).

(71) Applicant (for BR, CA, MX only): FCI AMERICAS TECHNOLOGY, INC. [US/US]; One East First Street, Reno, Nevada 89501 (US).

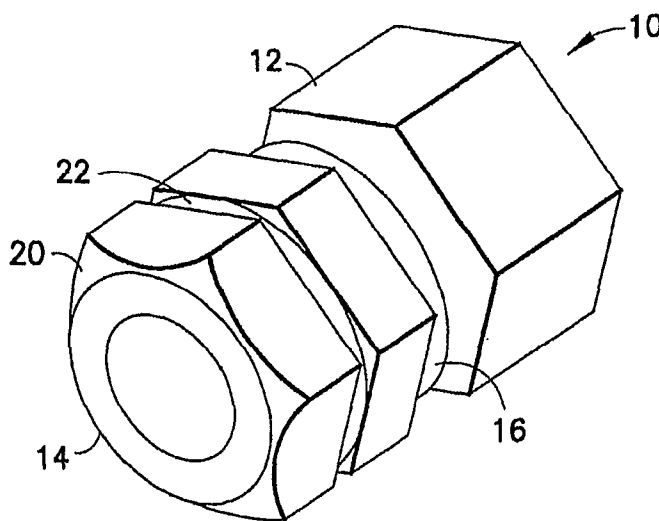
(71) Applicant (for all designated States except BR, CA, MX, US): FCI [FR/FR]; 145/147 rue Yves Le Coz, F-78000 Versailles (FR).

Published:  
— with international search report

(72) Inventor; and  
(75) Inventor/Applicant (for US only): DE FRANCE, Robert V. [US/US]; 65 Catskill Avenue, Poughkeepsie, New York 12603 (US).

(88) Date of publication of the international search report:  
27 November 2008

(54) Title: FASTENER WITH TOOL RETAINER



(57) Abstract: Disclosed herein is a fastener nut. The fastener nut includes a first section, a second section, and a third section. The first section has a threaded inner diameter. The second section has an outer annular groove. The third section is between the first section and the second section. The first section, the second section, and the third section are integrally formed together as a one-piece member. The second section is configured to be removed from the first section at the third section.

WO 2008/008355 A3

# INTERNATIONAL SEARCH REPORT

International application No.

PCT/US07/15759

**A. CLASSIFICATION OF SUBJECT MATTER**  
 IPC: **F16B 31/00**( 2006.01);**F16B 37/08**( 2006.01)  
  
 USPC: 411/2,432,5  
 According to International Patent Classification (IPC) or to both national classification and IPC


**B. FIELDS SEARCHED**  
 Minimum documentation searched (classification system followed by classification symbols)  
 U.S. : 411/2,432,5  
  
 Documentation searched other than minimum documentation to the extent that such documents are included in the fields searched  
  
 Electronic data base consulted during the international search (name of data base and, where practicable, search terms used)

**C. DOCUMENTS CONSIDERED TO BE RELEVANT**

Category *	Citation of document, with indication, where appropriate, of the relevant passages	Relevant to claim No.
Y	US 6,820,727 (Theiss et al.), 23 November 2004 (23.11.2004), whole document	1-20
A	US 3,444,775 (Hills) 20 May 1969 (20.05.1969), whole document	1-20
A	US 3,390,906 (Wing) 2 July 1968 (2.07.1968), whole document	1-20
A	US 4,427,326 24 (Hobson et al.) 24 January 1984 (24.01.1984), whole document	1-20
A	US 3,742,583 (Devlin et al.) 3 July 1973 (3.07.1973), whole document	1-20

Further documents are listed in the continuation of Box C.       See patent family annex.

* Special categories of cited documents:	
"A" document defining the general state of the art which is not considered to be of particular relevance	"T" later document published after the international filing date or priority date and not in conflict with the application but cited to understand the principle or theory underlying the invention
"E" earlier application or patent published on or after the international filing date	"X" document of particular relevance; the claimed invention cannot be considered novel or cannot be considered to involve an inventive step when the document is taken alone
"L" document which may throw doubts on priority claim(s) or which is cited to establish the publication date of another citation or other special reason (as specified)	"Y" document of particular relevance; the claimed invention cannot be considered to involve an inventive step when the document is combined with one or more other such documents, such combination being obvious to a person skilled in the art
"O" document referring to an oral disclosure, use, exhibition or other means	"&" document member of the same patent family
"P" document published prior to the international filing date but later than the priority date claimed	

Date of the actual completion of the international search 31 July 2008 (31.07.2008)	Date of mailing of the international search report <b>26 AUG 2008</b>
Name and mailing address of the ISA/US Mail Stop PCT, Attn: ISA/US Commissioner for Patents P.O. Box 1450 Alexandria, Virginia 22313-1450 Facsimile No. (571) 273-3201	Authorized officer David C. Reese  Telephone No. 5712723600