



US00D955804S

(12) **United States Design Patent**  
**Thies et al.**

(10) **Patent No.:** **US D955,804 S**  
(45) **Date of Patent:** **\*\* Jun. 28, 2022**

- (54) **FOOD PROCESSOR BASE**
- (71) Applicant: **Vorwerk & Co. Interholding GmbH**,  
Wuppertal (DE)
- (72) Inventors: **Felix Thies**, Wuppertal (DE); **Jan Delfs**, Bonn (DE)
- (73) Assignee: **Vorwerk & Co. Interholding GmbH**
- (\*\*) Term: **15 Years**
- (21) Appl. No.: **29/762,631**
- (22) Filed: **Dec. 17, 2020**

D745,316 S *	12/2015	Usmar .....	D7/378
D761,613 S *	7/2016	Moon .....	D7/360
D761,615 S *	7/2016	Dickson, Jr. ....	D7/376
D847,558 S *	5/2019	Hoff .....	D7/384
D878,143 S *	3/2020	Ding .....	D7/358
D896,567 S *	9/2020	Bai .....	D7/384
D899,843 S *	10/2020	Ye .....	D7/384
D925,273 S *	7/2021	Yao .....	D7/384
D935,261 S *	11/2021	Ye .....	D7/384

(Continued)

*Primary Examiner* — Ricky Pham  
(74) *Attorney, Agent, or Firm* — Barnes & Thornburg  
LLP

(30) **Foreign Application Priority Data**

Aug. 28, 2020 (EM) ..... 008151328-0008  
Aug. 28, 2020 (EM) ..... 008151328-0009

(51) **LOC (13) Cl.** ..... **31-00**

(52) **U.S. Cl.**  
USPC ..... **D7/386; D7/376; D7/378; D7/384**

(58) **Field of Classification Search**

USPC ..... D7/326, 358, 360, 372, 376–386,  
D7/412–413, 602, 629, 665–666, 669,  
D7/679, 693–694  
CPC .... A21C 1/02; A21C 1/04; A23N 1/00; A23N  
1/02; A47J 43/04; A47J 43/25; A47J  
43/27; A47J 43/042; A47J 43/044; A47J  
43/046; A47J 43/075; A47J 43/0722;  
A47J 43/0727; B01F 3/00; B01F 3/0807;  
B01F 3/0853; B01F 13/0059; B01F  
13/0064; B02C 1/08; B02C 2/04; B02C  
4/42; B02C 4/142; B02C 4/143; B02C  
4/423; B02C 13/1835; B28C 5/10; B28C  
5/12; B28C 5/14; B28C 5/16; A23L 5/10  
See application file for complete search history.

(56) **References Cited**

**U.S. PATENT DOCUMENTS**

3,176,968 A \* 4/1965 Appleton ..... A47J 43/046  
366/146  
D638,653 S \* 5/2011 Borin ..... D7/326

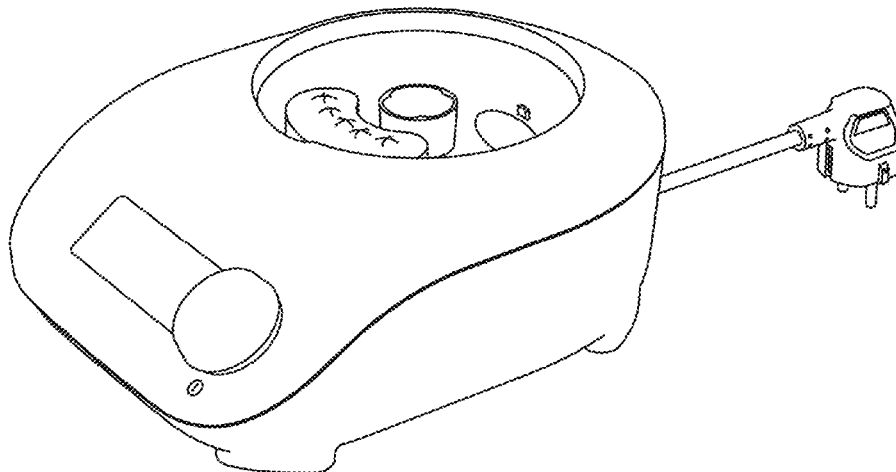
(57) **CLAIM**

The ornamental design for a food processor base, as shown and described.

**DESCRIPTION**

FIG. 1 is a perspective view of a first embodiment of an ornamental design for a food processor base showing our new design;  
FIG. 2 is a front plan view thereof;  
FIG. 3 is a left side plan view thereof;  
FIG. 4 is a right side plan view thereof;  
FIG. 5 is a rear plan view thereof;  
FIG. 6 is a top plan view thereof; and  
FIG. 7 is a bottom plan view thereof.  
FIG. 8 is a perspective view of a second embodiment of an ornamental design for a food processor base.  
FIG. 9 is a front plan view thereof;  
FIG. 10 is a left side plan view thereof;  
FIG. 11 is a right side plan view thereof;  
FIG. 12 is a rear plan view thereof;  
FIG. 13 is a top plan view thereof; and  
FIG. 14 is a bottom plan view thereof.  
The dashed lines represent an environment of the claimed design and form no part thereof.

**1 Claim, 14 Drawing Sheets**



(56)

**References Cited**

U.S. PATENT DOCUMENTS

2002/0027175 A1\* 3/2002 Capp ..... A47J 43/046  
241/199.12  
2018/0333004 A1\* 11/2018 De' Longhi ..... A23L 5/10

\* cited by examiner

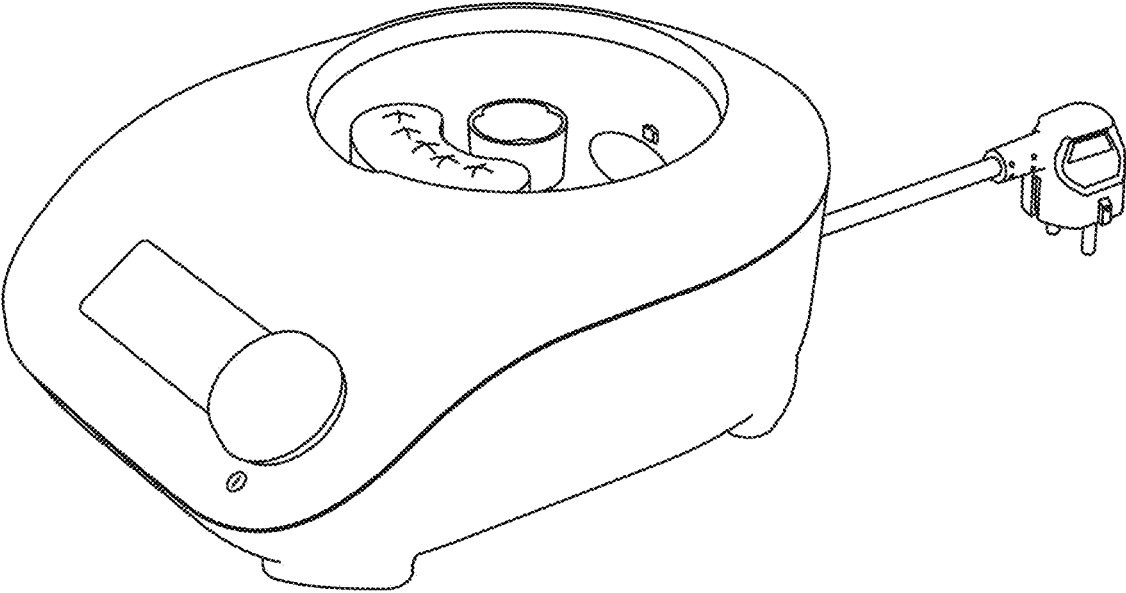


FIG. 1

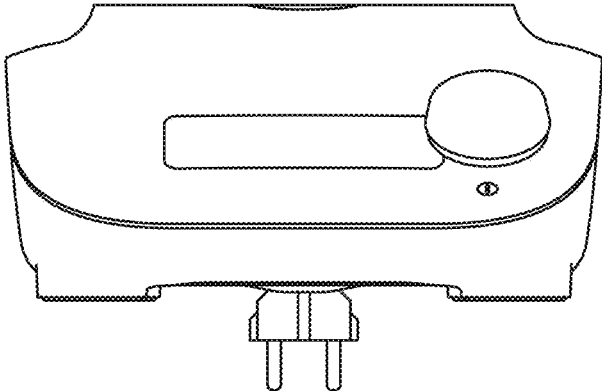


FIG. 2

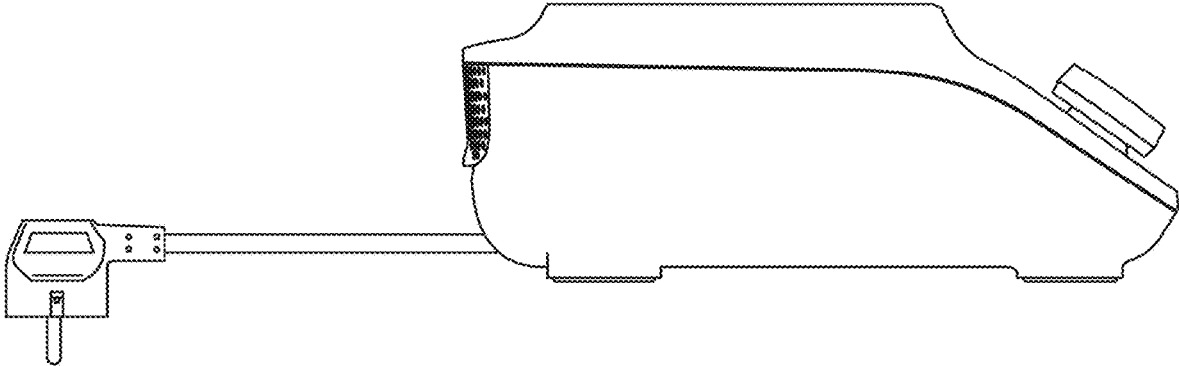


FIG. 3

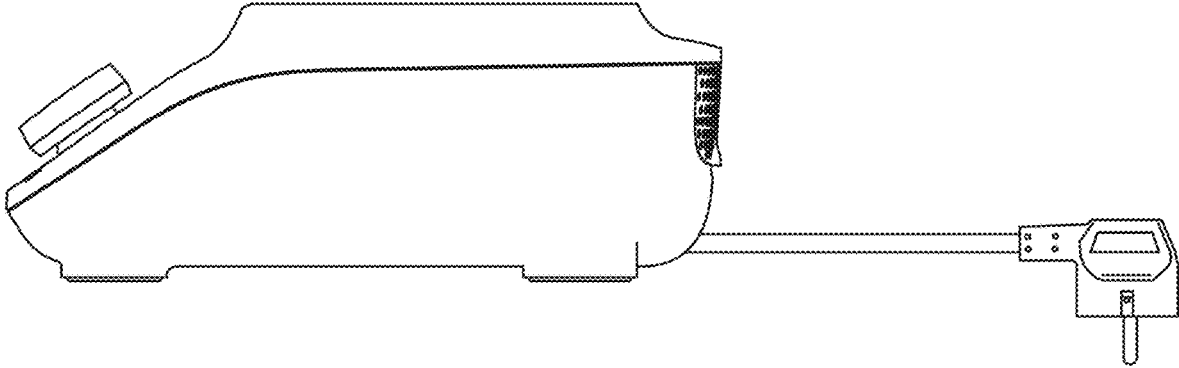


FIG. 4

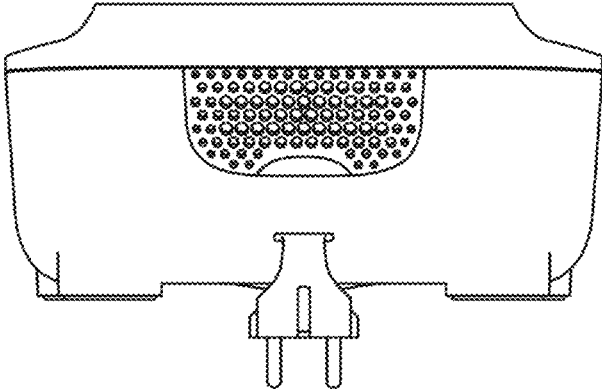


FIG. 5

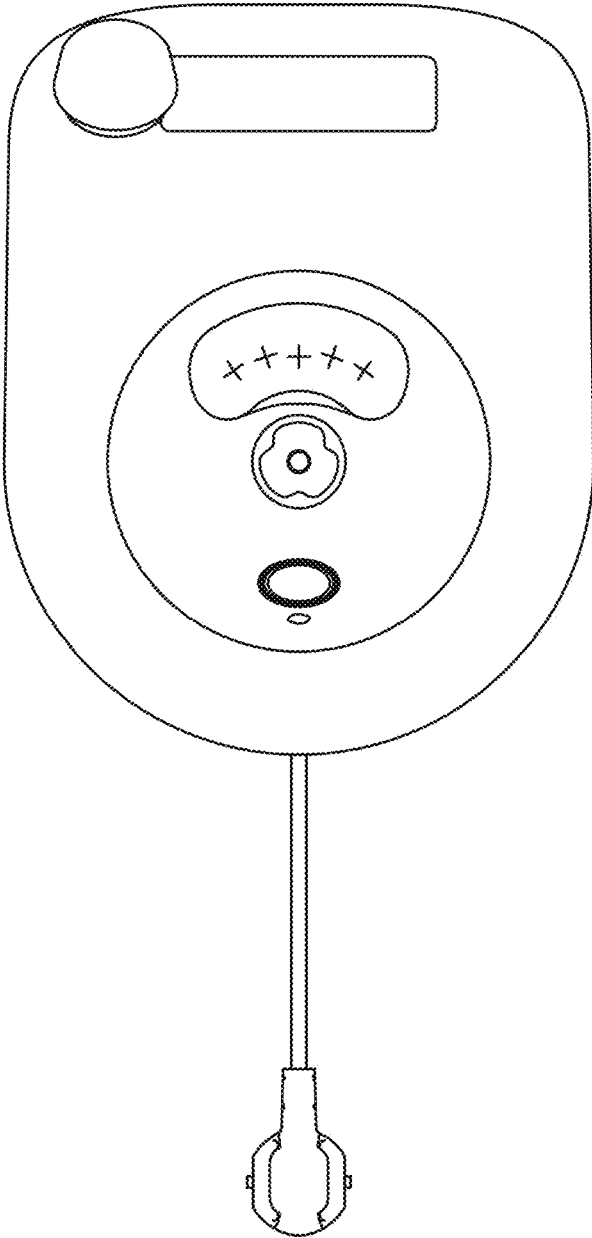


FIG. 6

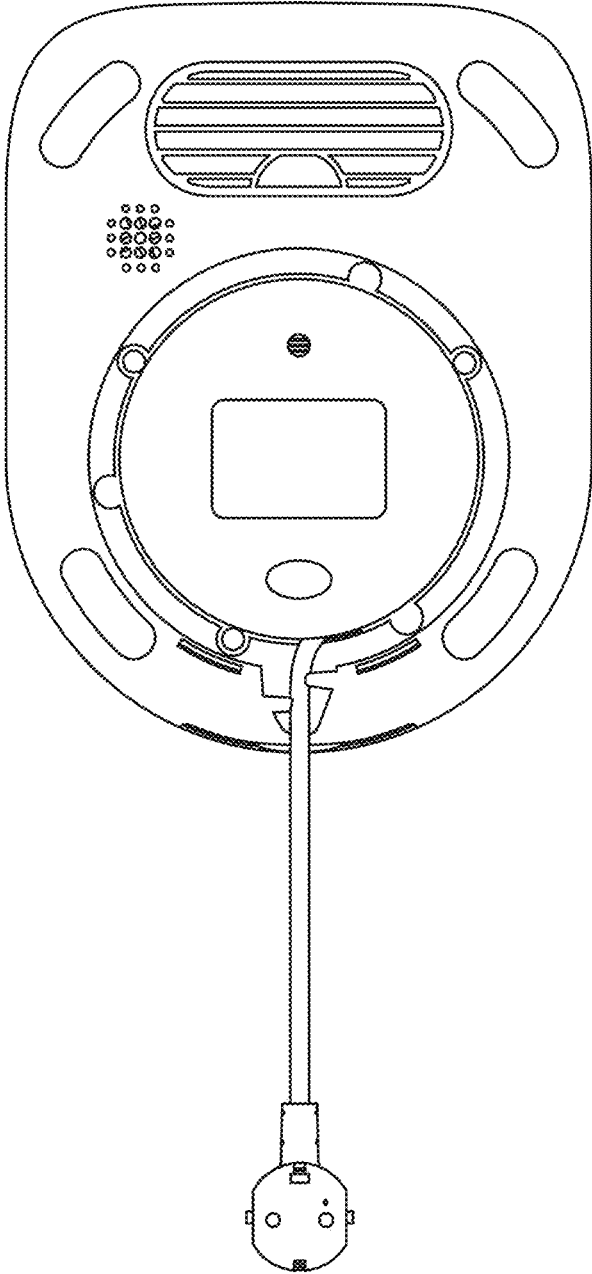


FIG. 7



FIG. 8

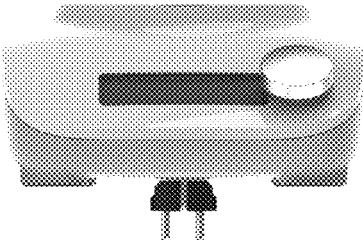


FIG. 9

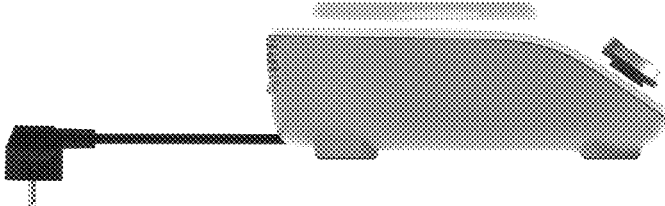


FIG. 10

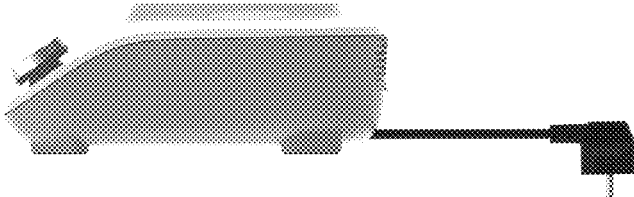


FIG. 11

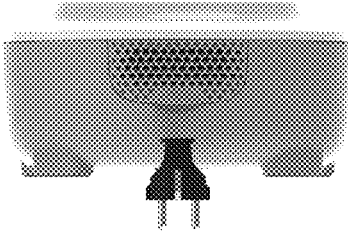


FIG. 12

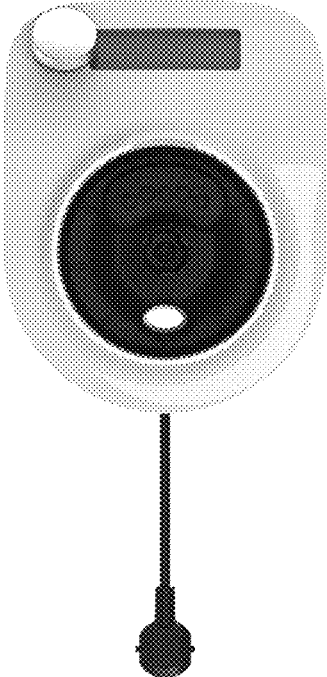


FIG. 13

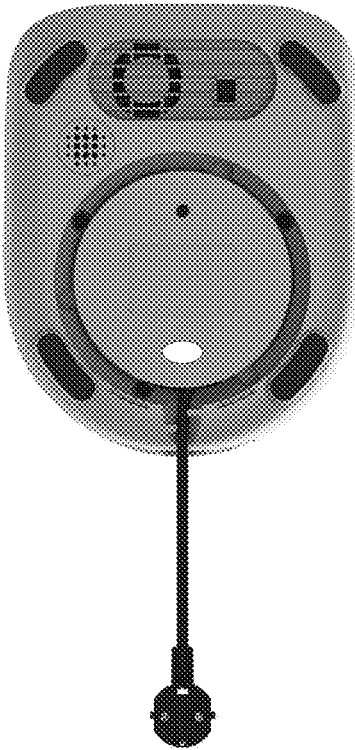


FIG. 14