

(19) World Intellectual Property Organization  
International Bureau



(43) International Publication Date  
22 November 2007 (22.11.2007)

PCT

(10) International Publication Number  
**WO 2007/132368 A3**

(51) International Patent Classification:

*H01J 61/12* (2006.01)      *C02F 1/32* (2006.01)  
*A61L 9/20* (2006.01)      *H01J 61/70* (2006.01)  
*A61N 5/06* (2006.01)

(21) International Application Number:

PCT/IB2007/051518

(22) International Filing Date: 25 April 2007 (25.04.2007)

(25) Filing Language: English

(26) Publication Language: English

(30) Priority Data:

06113933.3      15 May 2006 (15.05.2006)      EP

(71) Applicant (for all designated States except US): **KONINKLIJKE PHILIPS ELECTRONICS N.V.** [NL/NL]; Groenewoudseweg 1, NL-5621 BA Eindhoven (NL).

(72) Inventors; and

(75) Inventors/Applicants (for US only): **ANTONIS, Piet** [NL/NL]; c/o Prof. Holstlaan 6, NL-5656 AA Eindhoven (NL). **DE GRAAF, Ariel** [NL/NL]; c/o Prof. Holstlaan 6, NL-5656 AA Eindhoven (NL). **KITSINELIS, Spyridon** [GR/NL]; c/o Prof. Holstlaan 6, NL-5656 AA Eindhoven (NL). **VANKAN, Peter, J., W.** [NL/NL]; c/o Prof. Holstlaan 6, NL-5656 AA Eindhoven (NL).

(74) Agents: **ROLFES, Johannes, G., A.** et al.; Prof. Holstlaan 6, NL-5656 AA Eindhoven (NL).

(81) Designated States (unless otherwise indicated, for every kind of national protection available): AE, AG, AL, AM, AT, AU, AZ, BA, BB, BG, BH, BR, BW, BY, BZ, CA, CH, CN, CO, CR, CU, CZ, DE, DK, DM, DZ, EC, EE, EG, ES, FI, GB, GD, GE, GH, GM, GT, HN, HR, HU, ID, IL, IN, IS, JP, KE, KG, KM, KN, KP, KR, KZ, LA, LC, LK, LR, LS, LT, LU, LY, MA, MD, MG, MK, MN, MW, MX, MY, MZ, NA, NG, NI, NO, NZ, OM, PG, PH, PL, PT, RO, RS, RU, SC, SD, SE, SG, SK, SL, SM, SV, SY, TJ, TM, TN, TR, TT, TZ, UA, UG, US, UZ, VC, VN, ZA, ZM, ZW.

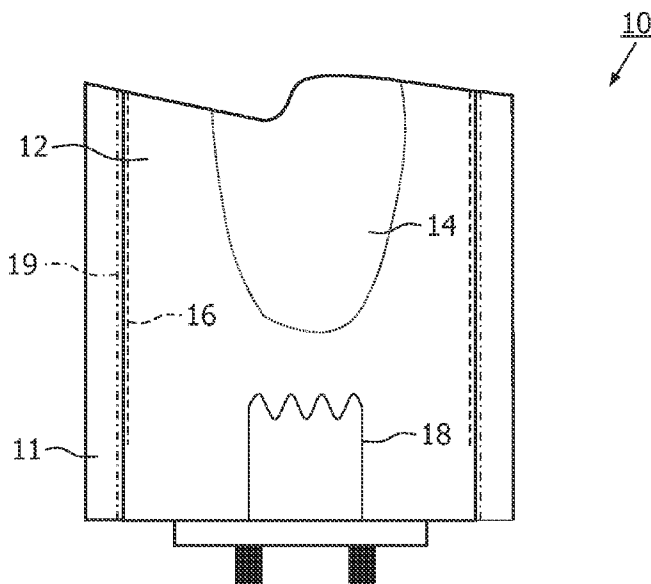
(84) Designated States (unless otherwise indicated, for every kind of regional protection available): ARIPO (BW, GH, GM, KE, LS, MW, MZ, NA, SD, SL, SZ, TZ, UG, ZM, ZW), Eurasian (AM, AZ, BY, KG, KZ, MD, RU, TJ, TM), European (AT, BE, BG, CH, CY, CZ, DE, DK, EE, ES, FI, FR, GB, GR, HU, IE, IS, IT, LT, LU, LV, MC, MT, NL, PL, PT, RO, SE, SI, SK, TR), OAPI (BF, BJ, CF, CG, CI, CM, GA, GN, GQ, GW, ML, MR, NE, SN, TD, TG).

Declaration under Rule 4.17:

— as to applicant's entitlement to apply for and be granted a patent (Rule 4.17(ii))

[Continued on next page]

(54) Title: LOW-PRESSURE GAS DISCHARGE LAMP HAVING IMPROVED EFFICIENCY



(57) Abstract: The invention relates to a low-pressure mercury vapor discharge lamp (10) comprising a metal compound which is selected from the group formed by compounds of titanium, zirconium, hafnium and their mixtures. The effect of adding the metal compound selected from said group to the gas filling of the discharge space (14) results in an increased efficiency of the low-pressure gas discharge lamp (10), because part of the emitted light from the discharge space (14) is in the visible range of the electromagnetic spectrum. In one embodiment of the invention, the low-pressure gas discharge lamp (10) produces substantially white light without the use of a luminescent layer (16) comprising a luminescent material. In another embodiment of the invention, the luminescent layer (16) is applied to the discharge vessel (12) of the low-pressure gas discharge lamp (10). The light emitted by the luminescent material can be mixed with the light emitted from the discharge space (14) to produce the required color.

WO 2007/132368 A3



**Published:**

— with international search report

**(88) Date of publication of the international search report:**

24 January 2008

*For two-letter codes and other abbreviations, refer to the "Guidance Notes on Codes and Abbreviations" appearing at the beginning of each regular issue of the PCT Gazette.*

## INTERNATIONAL SEARCH REPORT

International application No

PCT/IB2007/051518

## A. CLASSIFICATION OF SUBJECT MATTER

INV. H01J61/12 A61L9/20 A61N5/06 C02F1/32 H01J61/70

According to International Patent Classification (IPC) or to both national classification and IPC

## B. FIELDS SEARCHED

Minimum documentation searched (classification system followed by classification symbols)

H01J A61L A61N C02F

Documentation searched other than minimum documentation to the extent that such documents are included in the fields searched

Electronic data base consulted during the international search (name of data base and, where practical, search terms used)

EPO-Internal, WPI Data

## C. DOCUMENTS CONSIDERED TO BE RELEVANT

Category*	Citation of document, with indication, where appropriate, of the relevant passages	Relevant to claim No.
P,X	WO 2006/068887 A (GEN ELECTRIC [US]; SMITH DAVID JOHN [US]; SOMMERER TIMOTHY JOHN [US];) 29 June 2006 (2006-06-29) page 3, paragraph 2	1-3,6-9
X	EP 0 407 160 A (EMI PLC THORN [GB] GE LIGHTING LTD [GB]) 9 January 1991 (1991-01-09) page 2, line 9 - line 14 page 2, line 44 - line 54 page 4, line 2 - line 40	1-5,7-9, 11 10
Y		
X	US 1 344 757 A (DARRAH WILLIAM A) 29 June 1920 (1920-06-29) page 3, line 109 - line 130	1-8

 Further documents are listed in the continuation of Box C. See patent family annex.

## \* Special categories of cited documents:

- \*A\* document defining the general state of the art which is not considered to be of particular relevance
- \*E\* earlier document but published on or after the international filing date
- \*L\* document which may throw doubts on priority claim(s) or which is cited to establish the publication date of another citation or other special reason (as specified)
- \*O\* document referring to an oral disclosure, use, exhibition or other means
- \*P\* document published prior to the international filing date but later than the priority date claimed

- \*T\* later document published after the international filing date or priority date and not in conflict with the application but cited to understand the principle or theory underlying the invention
- \*X\* document of particular relevance; the claimed invention cannot be considered novel or cannot be considered to involve an inventive step when the document is taken alone
- \*Y\* document of particular relevance; the claimed invention cannot be considered to involve an inventive step when the document is combined with one or more other such documents, such combination being obvious to a person skilled in the art.
- \*&\* document member of the same patent family

Date of the actual completion of the international search

29 October 2007

Date of mailing of the international search report

08/11/2007

Name and mailing address of the ISA/

European Patent Office, P.B. 5818 Patentlaan 2  
NL - 2280 HV Rijswijk  
Tel. (+31-70) 340-2040, Tx. 31 651 epo nl,  
Fax: (+31-70) 340-3016

Authorized officer

Zuccatti, Stefano

## INTERNATIONAL SEARCH REPORT

International application No

PCT/IB2007/051518

C(Continuation). DOCUMENTS CONSIDERED TO BE RELEVANT

Category*	Citation of document, with indication, where appropriate, of the relevant passages	Relevant to claim No.
X	EP 0 897 191 A (OSRAM SYLVANIA INC [US]) 17 February 1999 (1999-02-17) paragraphs [0020], [0028], [0029] -----	1-5,8
A	EP 0 627 759 A (PHILIPS ELECTRONICS NV [NL]) 7 December 1994 (1994-12-07) table 3a -----	1-5
A	JP 57 101329 A (TOKYO SHIBAURA ELECTRIC CO) 23 June 1982 (1982-06-23) abstract -----	1-4
A	JP 57 025665 A (TOKYO SHIBAURA ELECTRIC CO) 10 February 1982 (1982-02-10) abstract -----	1-4
Y	US 2002/047525 A1 (SCHOLL ROBERT PETER [DE] ET AL SCHOLL ROBERT PETER [DE] ET AL) 25 April 2002 (2002-04-25) cited in the application paragraph [0030] -----	10

## INTERNATIONAL SEARCH REPORT

Information on patent family members

International application No

PCT/IB2007/051518

Patent document cited in search report		Publication date	Patent family member(s)	Publication date
WO 2006068887	A	29-06-2006	EP 1831915 A2	12-09-2007
			US 2006132042 A1	22-06-2006
			US 2006132043 A1	22-06-2006
			US 2007096656 A1	03-05-2007
EP 0407160	A	09-01-1991	DE 69012460 D1	20-10-1994
			DE 69012460 T2	11-05-1995
			JP 2875860 B2	31-03-1999
			JP 3067455 A	22-03-1991
US 1344757	A	29-06-1920	FR 486167 A	
EP 0897191	A	17-02-1999	CA 2243579 A1	11-02-1999
			HU 9801851 A2	28-04-1999
			JP 11111239 A	23-04-1999
			US 5889368 A	30-03-1999
EP 0627759	A	07-12-1994	CA 2124515 A1	02-12-1994
			CN 1097900 A	25-01-1995
			DE 69402107 D1	24-04-1997
			DE 69402107 T2	28-08-1997
			DK 627759 T3	15-09-1997
			ES 2102137 T3	16-07-1997
			JP 6349443 A	22-12-1994
			US 5504392 A	02-04-1996
JP 57101329	A	23-06-1982	JP 1518840 C	29-09-1989
			JP 63060502 B	24-11-1988
JP 57025665	A	10-02-1982	NONE	
US 2002047525	A1	25-04-2002	CN 1342994 A	03-04-2002
			DE 10044562 A1	21-03-2002
			EP 1187174 A2	13-03-2002
			JP 2002124211 A	26-04-2002