



US00D769018S

(12) **United States Design Patent** (10) **Patent No.:** **US D769,018 S**
Yedikian (45) **Date of Patent:** **** Oct. 18, 2016**

(54) **LUG CONNECTOR RECEPTACLE**
(71) Applicant: **Viken Yedikian**, Rancho Palos Verdes, CA (US)
(72) Inventor: **Viken Yedikian**, Rancho Palos Verdes, CA (US)
(**) Term: **15 Years**

D614,427 S 4/2010 Nejad
D618,675 S * 6/2010 Thompson D14/251
D642,841 S * 8/2011 Dretzka D6/553
D727,654 S * 4/2015 Tollasepp D6/553
2015/0173413 A1 6/2015 Wells et al.
2015/0246441 A1* 9/2015 Huang B25H 1/0071
206/557
2016/0068333 A1* 3/2016 Yedikian B25H 3/04
220/608

(21) Appl. No.: **29/532,663**
(22) Filed: **Jul. 9, 2015**
(51) **LOC (10) Cl.** **06-04**
(52) **U.S. Cl.**
USPC **D6/533**
(58) **Field of Classification Search**
USPC D6/553; D7/601; 108/44; 220/483;
224/547, 553, 562, 564; 248/145,
248/202.1, 206.5, 292.12, 309.4;
301/35.623
CPC B25H 1/0071; B25H 3/06; B25H 3/00;
B25H 3/003; B25H 5/00; B25H 1/0021;
B25H 1/12; B25H 1/18; B25H 3/04; B25H
1/0007; E01F 9/0118; B60N 3/002; B60N
3/001; B60R 11/06; B65D 2313/04
See application file for complete search history.

OTHER PUBLICATIONS

Magnetic Tray, Dailymag Magnetics, <http://www.cndailymag.com/magnetic-tray.htm>, downloaded Aug. 7, 2014.
ESPCO Magnetic Bowl, http://www.espc.com.tw/index.php?main_page=index&cPath=23_53, downloaded Aug. 7, 2014.

* cited by examiner

Primary Examiner — Wan Laymon
Assistant Examiner — Mark Booker
(74) *Attorney, Agent, or Firm* — Henricks, Slavin & Holmes LLP

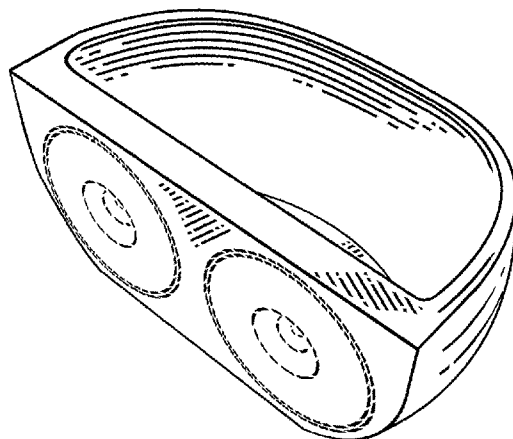
(57) **CLAIM**
The ornamental design for a lug connector receptacle, as shown and described.

DESCRIPTION

FIG. 1 is a top rear isometric view of a lug connector receptacle showing the new design.
FIG. 2 is a rear view thereof;
FIG. 3 is a front view thereof;
FIG. 4 is a right side view thereof, and the left side view is identical;
FIG. 5 is a top view thereof;
FIG. 6 is a bottom view thereof; and,
FIG. 7 is a top front isometric view thereof.
The broken line showing of magnet assemblies is for the purpose of illustrating portions of the article and forms no part of the claimed design.

(56) **References Cited**
U.S. PATENT DOCUMENTS
5,078,281 A 1/1992 Johnson
5,490,607 A * 2/1996 Hsieh A47G 21/14
206/372
5,699,910 A * 12/1997 Kubat B25H 5/00
206/373
6,041,717 A 3/2000 Kubat
6,082,573 A * 7/2000 Hofman A47K 3/281
220/480
6,467,744 B1 10/2002 Calin
D563,136 S * 3/2008 Kramer D6/553
7,445,185 B1 * 11/2008 Cicero A47K 3/281
211/16

1 Claim, 4 Drawing Sheets



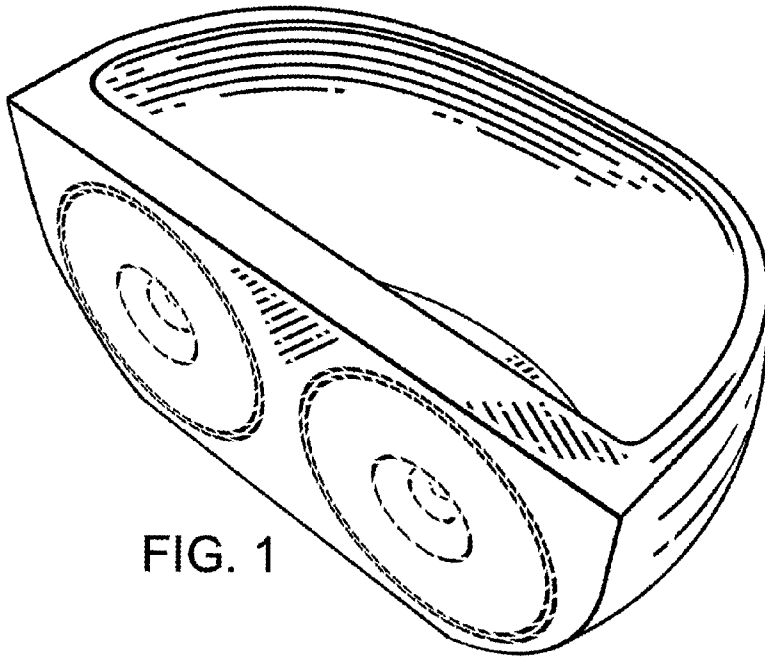


FIG. 1

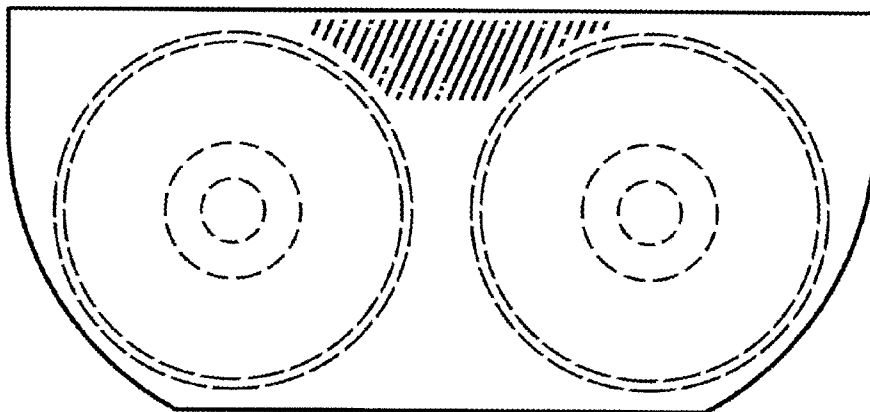


FIG. 2

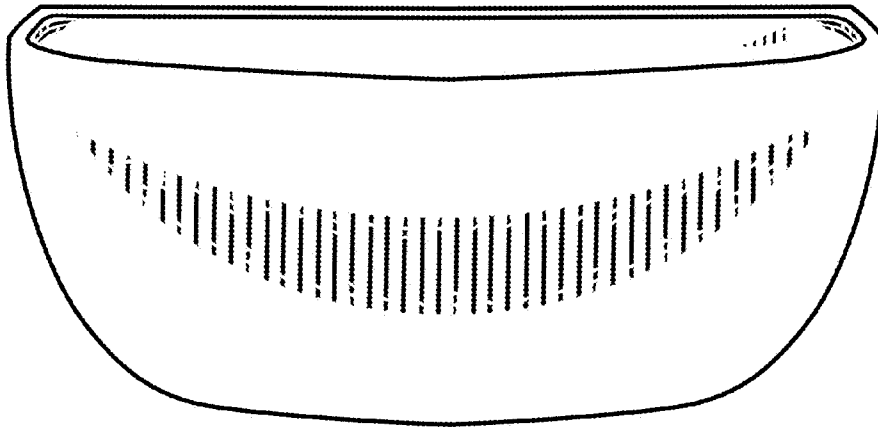


FIG. 3

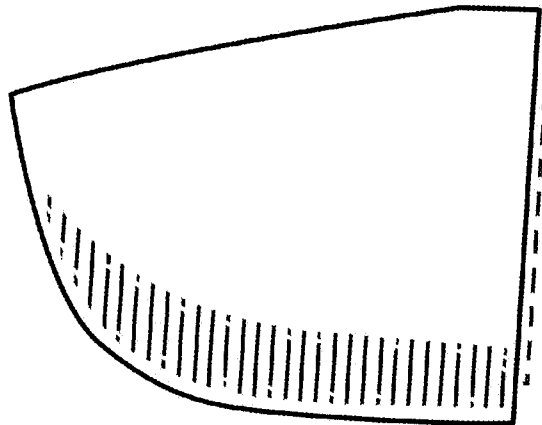


FIG. 4

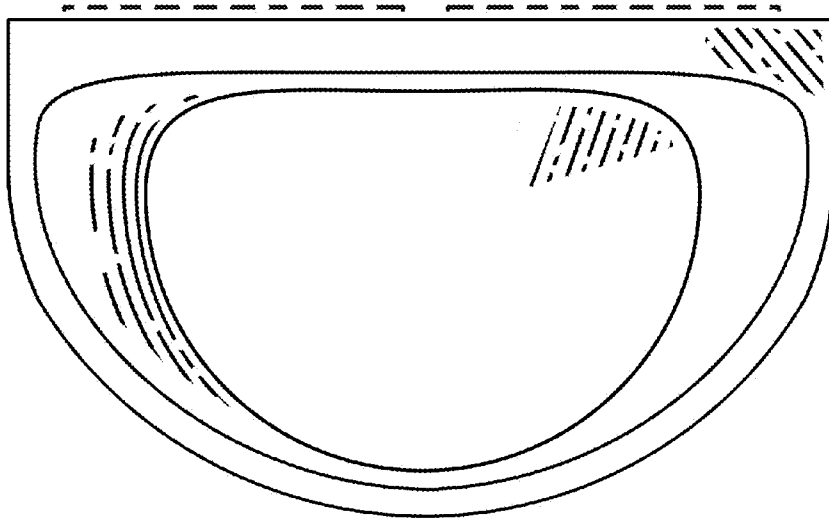


FIG. 5

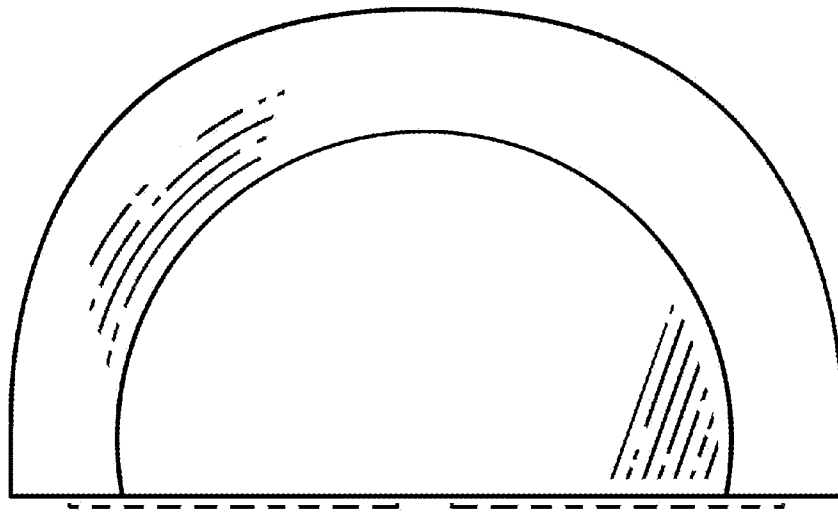


FIG. 6

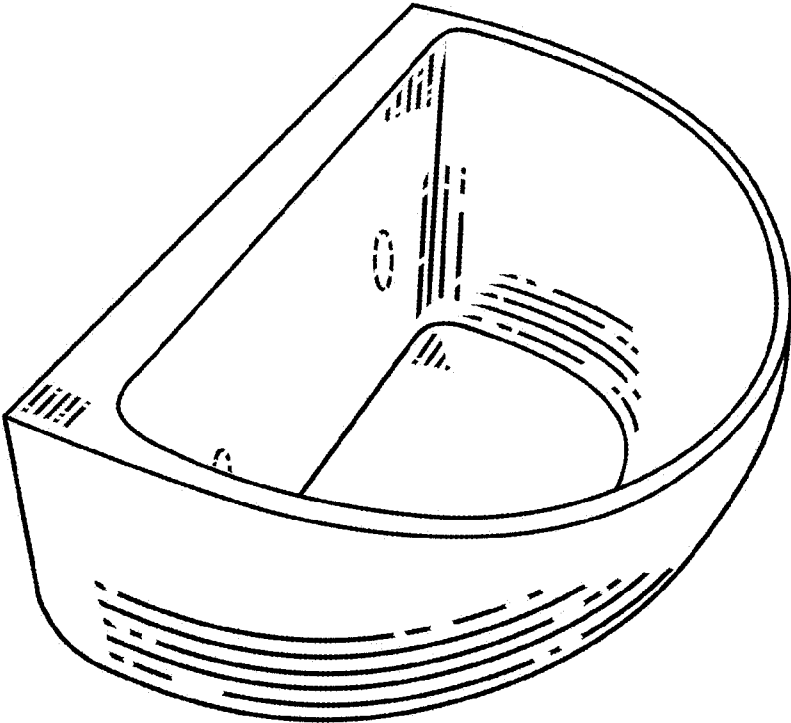


FIG. 7