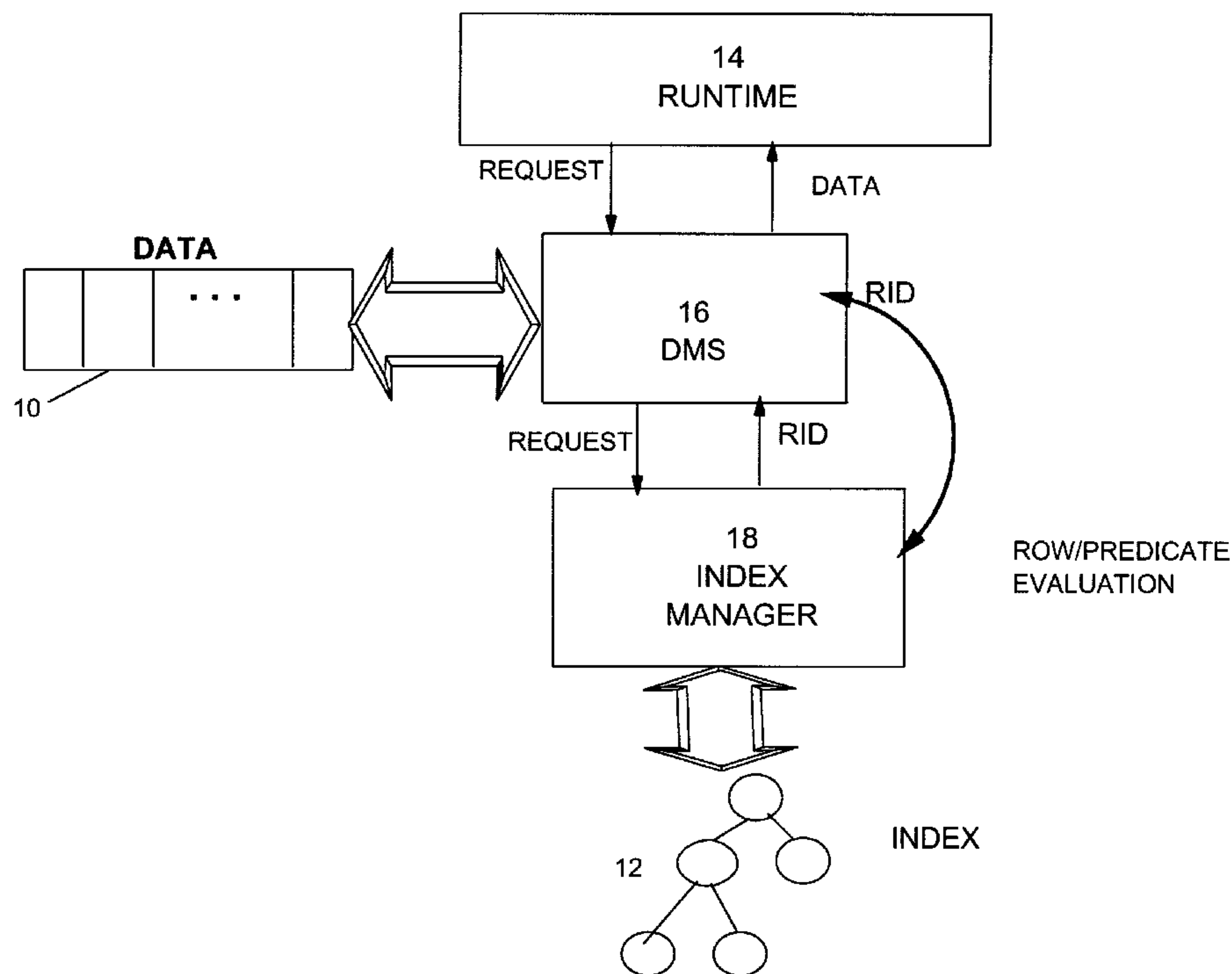




(22) Date de dépôt/Filing Date: 2000/04/28
(41) Mise à la disp. pub./Open to Public Insp.: 2001/10/28

(51) Cl.Int.⁷/Int.Cl.⁷ G06F 17/30
(71) Demandeur/Applicant:
IBM CANADA LIMITED-IBM CANADA LIMITEE, CA
(72) Inventeurs/Inventors:
WINER, MICHAEL J., CA;
McARTHUR, CATHERINE, CA;
LINDSAY, BRUCE G., US
(74) Agent: ROSEN, ARNOLD

(54) Titre : EXTRACTION EFFICACE DE DONNEE INDEX AU MOYEN D'UN RAPPEL DE DONNEE EN MEMOIRE
(54) Title: EFFICIENT INDEX-DATA FETCH VIA CALLBACK FOR A TABLE DATA



(57) Abrégé/Abstract:

A callback to a data manager is earned out from an index manager in a query processing system for an index-data fetch to enable an index page held stabilized by an index manager to remain stabilized during predicate checking or data consumption operations. The index manager locates a data identifier in an index and calls back to a data manager to access the data indicated by the data identifier. The data manager may carry out a predicate check or a data consuming operation on the data and if this is the case the index manager may access the next data identifier in the index when the data manager callback is complete. The index page need not be destabilized in such a case.

EFFICIENT INDEX-DATA FETCH VIA CALLBACK FOR TABLE DATA**ABSTRACT**

5 A callback to a data manager is carried out from an index manager in a query processing system
for an index-data fetch to enable an index page held stabilized by an index manager to remain
stabilized during predicate checking or data consumption operations. The index manager locates
a data identifier in an index and calls back to a data manager to access the data indicated by the
data identifier. The data manager may carry out a predicate check or a data consuming operation
10 on the data and if this is the case the index manager may access the next data identifier in the
index when the data manager callback is complete. The index page need not be destabilized in
such a case.

EFFICIENT INDEX-DATA FETCH VIA CALLBACK FOR TABLE DATA**FIELD OF THE INVENTION**

5 The present invention is directed to an improvement in computing systems and in particular to an improvement in index access to data in a database management system.

BACKGROUND OF THE INVENTION

10 In database systems such as relational database management systems (RDBMSs), data is stored in tables. Most database systems such as RDBMS systems have one or more indexes relating to the data tables to allow efficient access to the data. In database systems, queries written in a language such as SQL are executed by the system fetching or retrieving the data specified by the query. In an RDBMS, the query is executed against a table of data and rows in the table are accessed to return some or all of the column values for the rows accessed, as required by the query being executed.

15 Indexes in RDBMS systems are typically smaller than their related data tables and are used to improve the performance of queries on the table data. The use of an index can reduce the amount of table data which is accessed in order to satisfy a given query.

A typical implementation of an index on a table in an RDBMS stores ordered key values and associated RIDs (row identifiers) which uniquely identify a row in the table being indexed.

20 A typical configuration of an RDBMS, such as the DB2™ relational database, includes a data manager (DMS) which is a component that handles retrieval of data from pages in a table, given a specific request for data. Such a request may specify a data record (or row) to be returned, based on an RID, or based on a query predicate which defines characteristics of the data being sought. Also typical in an RDBMS is an index manager component which is used to retrieve key values and RIDs from the index based on query key values or index predicates defined by the query.

25 Typically the data manager sends a request to the index manager to return the first or next RID in the index which matches the query (including range and/or index predicates). When the index

manager returns a matching RID, the key and RID values are copied from the index leaf node.

For certain database queries, a data manager may repeatedly make calls to an index manager, seeking to have sequentially ordered key valued RIDs returned to the data manager. In such a case, the code path followed in executing the query may be significant, and a substantial portion of this code path may relate to data manager calls to the index manager and to the related returns from the index manager.

It is therefore desirable to have a query processing system which is able to execute queries in a manner which has increased efficiency by reducing the frequency of calls from the data manager to the index manager.

SUMMARY OF THE INVENTION

According to one aspect of the present invention, there is provided an efficient index access to data by use of a callback from the index manager to the data manager.

According to another aspect of the present invention, there is provided a method for processing a database query in a database management system comprising a data manager, a set of data, an index manager and an index on the data, the data manager supporting index-data fetches, predicate checking and data consuming operations, the method comprising the steps of:

- a. calling the data manager to access query-specified data in the set of data,
- b. for an index-data fetch, the data manager calling the index manager to locate a data identifier in the index corresponding to a selected key value, and where a predicate check or data consuming operation is possible, the data manager requesting a callback from the index manager,
- c. the index manager carrying out index manager index-data fetch steps by
 - i. locating a data identifier in the index for the selected key value and where there

is no data identifier for the selected key value, returning a result of no index entry found,

ii. where a data identifier is located and a callback is requested, the index manager initiating a callback to the data manager for determining whether the data specified by the data identifier is to be returned to the runtime,

5 iii. the data manager locating the data specified by the data identifier and determining whether a predicate check or consuming operation on the data are possible and where such operations are possible carrying out the operations and returning a no data return condition to the index manager, and

10 d. where the index manager receives a no data return condition from the callback to the data manager, and where there is a next data identifier for the selected key value in the index the index manager, the index manager continuing to carry out the index manager index-data fetch steps for the next data identifier.

15 According to another aspect of the present invention, there is provided the above method for a database management system with an index including pages having index nodes, the method further including the steps of the index manager stabilizing the page containing the node to be accessed in the index to locate the data identifier for the selected key value, and the index manager not releasing the stabilization of the page during callback to the data manager.

20 According to another aspect of the present invention, there is provided the above method for a database management system with the index comprising pages having index nodes, the database management system supporting a set of access processes potentially able to access the index, the method further comprising the step determining if a one of the set of access processes is waiting for an exclusive latch for accessing the index, and where a one of the access processes is waiting, the index access step copying the data identifier and key value from the index and releasing stabilization of any pages in the index prior to the callback to perform the data access step.

25 According to another aspect of the present invention, there is provided a method for processing a

database query in a database management system to return data to a user, the database management system having a set of data, and an index on the set of data, the database management system supporting an index-data fetch operation and supporting a pushdown index-data fetch operation where a subset of the set of data is accessed without the subset being returned to the user, the method including the steps of:

a data access step to locate an identified portion of the set of data corresponding to a located data identifier where for an index-data fetch the data access step uses an index access step to determine the located data identifier for a specified key value,

the index access step locating the data identifier in the index for the specified key value, or returning a not found indicator where there is no data identifier in the index for the specified key value, and

where a database query is processed having a potential pushdown index-data fetch, the index access step using a callback to perform the data access step for carrying out the potential push-down process for successive data identifiers in the index for the specified key value.

According to another aspect of the present invention, there is provided a program storage device readable by a machine, tangibly embodying a program of instructions executable by the machine to perform the above method steps for processing queries for a database.

According to another aspect of the present invention, there is provided a query processing system having a data manager, a set of data, an index manager and an index on the set of data, the data manager supporting index-data fetches, and predicate checking and data consuming operations, the data manager including a callback-enabling component for an index-data fetch where a predicate check or data consuming operation is possible, the callback-enabling component requesting a callback from the index manager, a callback-execution component for determining if a predicate check or consuming operation on a defined subset of the set of data is possible and where such operations are possible, carrying out the operations and returning a no data return condition, the index manager including a data manager callback component for initiating a callback to the data

manager for an index-specified subset of the ordered set of data to determine if a predicate check or consuming operation on the index-specified defined subset of the set of data is possible, an index access component for continuing the index-data fetch steps by locating the next one of the data identifiers for the selected key value or returning a result of no index entry found, the index access component being invoked where the index manager receives a no data return condition from a
5 callback to the data manager.

According to another aspect of the present invention, there is provided an improved data manager and an improved index manager, the data manager supporting pushdown processing and including a callback-enabling component for an index-data fetch where pushdown processing is possible, the
10 callback-enabling component requesting a callback from the index manager, and a callback-execution component for determining if for a specified row, pushdown processing is possible and where such processing is possible, carrying out the processing and returning a no data return condition, the index manager including a data manager callback component for initiating a callback
15 to the data manager for an index-specified row in the table data to determine if pushdown processing on the row is possible, and an index access component for continuing the index-data fetch steps by continuing to access the index and use the data manager callback component where the index manager receives a no data return condition from a callback to the data manager.

Advantages of the present invention include an index access to data during query execution that
20 results in reduced calls to the index manager, in a best case query execution, and no significant inefficiency introduced in a worse case execution.

BRIEF DESCRIPTION OF THE DRAWING

The preferred embodiment of the invention is shown in the drawing, wherein:

Figure 1 is a block diagram showing request and data flow in query execution according
25 to the preferred embodiment of the invention.

In the drawing, the preferred embodiment of the invention is illustrated by way of example. It is to be expressly understood that the description and drawing are only for the purpose of illustration and as an aid to understanding, and are not intended as a definition of the limits of the invention.

DETAILED DESCRIPTION OF THE PREFERRED EMBODIMENT

5 The system of the preferred embodiment processes queries against an indexed set of data. Figure 1 is a block diagram showing the request and data flow in a query execution, according to the preferred embodiment. The preferred embodiment relates to a query processing system such as that found in a relational database management system (RDBMS). The preferred embodiment is described with reference to the RDBMS architecture found in the DB2™ system, but it will be
10 understood by those skilled in the art that the advantages of the preferred embodiment may be achieved in different systems having similar components to those set out in Figure 1.

Both data table 10 and index 12 are shown in the block diagram of Figure 1, with associated runtime component 14, data management component (DMS or data manager) 16 and index manager 18. Runtime 14 executes an access plan (that may be generated, for example, by an SQL compiler) and
15 runtime 14 results in requests for data being sent to data manager 16. The request and data flow between the components in figure 1 are shown by arrows in the figure.

Both request and data flow for the prior art arrangement, and the request and data flow according to the preferred embodiment, may be described with reference to Figure 1. Query execution as carried out by the prior art starts with a request from runtime 14 to data manager 16. Requests to
20 data manager 16 specify a direct access to data table 10, or may seek to have data fetched from data table 10 by using index 12. Where the request to data manager 16 requires an index access, data manager 16 issues a request to index manager 18 (including index predicates, if applicable). Index manager 18 interrogates index 12 to locate the first or next key value in index 12 matching the key value requested. The RID (record or row identifier) retrieved from index 12 by index manager 18
25 is passed back to data manager 16. Data manager 16 then uses the RID to access data table 10.

For each index access by index manager 18 there is an associated cost. In the index of the preferred

embodiment the index is a tree structure and the nodes of the index are stored on pages. The step of accessing a node in the tree structure carries with it the cost of executing the code to carry out the access, as well as the cost in stabilizing or latching the page containing the node being accessed. For this reason, where there are repeated data access steps being carried out by use of an index in a query execution, there will be significant time costs associated with the index access portion of the execution.

These time costs become proportionally greater where, as occurs in certain query processing system contexts, an index may be accessed several times before data values are returned to the runtime. How this type of index access may occur is set out below.

Using the architecture shown in Figure 1, an approach to increasing the efficiency of a query processing system may be described. According to this approach, when data manager 16 locates a row in data table 10, data manager 16 carries out a predicate check on the data in the located row or record in data table 10. The row or record specified by the RID returned from index manager 18 will be compared to a predicate (if any) in the query being processed. Only if the predicate is satisfied will data manager 16 return the relevant data from data table 10 to runtime 14. Alternatively, where the query involves an aggregation operation (such as the SQL operations SUM, COUNT or AVERAGE) the row or record located in data table 10 may be "consumed" by data manager 16 carrying out the aggregation operation on the row. This approach to query processing, which results in predicate checks and data consuming operations being carried out by the data manager, is sometimes called a pushdown processing approach to query processing. The predicate check or data consuming operations are pushed down to the data manager level in the query processing system.

Where such a predicate check results in the row being found to not satisfy the search predicate, or the row is consumed in a aggregation operation, data manager 16 does not return the data to runtime 14. Rather, data manager 16 issues a new request to index manager 18 to locate the next key containing a RID having a key matching the key value being sought. Potentially, this series of steps may be repeated numerous times, for repeated rows that do not match the search predicate or where rows are being consumed. In this manner, index 12 may be accessed a number of times without data

being returned to runtime 14 by data manager 16. As indicated above, for such a query a significant proportion of the query execution time will be spent in accessing the index pages where the relevant nodes of the index are located.

5 According to the preferred embodiment, when a query execution occurs which involves an index-fetch (both the index and the table data are to be accessed), data manager 16 will specify to index manager 18 that a callback to data manager 16 is required for each qualifying RID located by index manager 18 in index 12. When index manager 18 locates a key matching the index predicates from data manager 16, index manager 18 determines whether a callback has been requested by data manager 16. If a callback is requested, index manager 18 calls data manager 16, passing the RID
10 located by index manager 18. As a result, data manager 16 will access data table 10 and determine whether the record corresponding to the RID provided by index manager 18 qualifies in relation to the data predicate or whether the row is "consumed", as described above.

If the row in data table 10 corresponding to the RID located in index 12 does not qualify (does not match the query predicate) or the row is consumed, the data page containing the row is released or unlatched and a result is returned to index manager 18 by data manager 16 to indicate that the row
15 corresponding to the RID is not to be returned to runtime 14.

Index manager 18 then continues to search index 12 to locate the next key and RID combination in the index. Index manager 18 effectively treats the callback to data manager 16 as the processing of an index predicate. Here, however, the code path inherent in the data manager making repeated calls
20 to index manager 18, has been avoided. Furthermore, the key and RID pair located initially by index manager 18 need not be copied from index 12 and the page containing the leaf node need not be released or unlatched, while the callback to data manager 16 is occurring. In this way, efficiencies are introduced to the query processing where the queries result in repeated access to index 12 without data from data table 10 being passed back to runtime 14.

25 Alternatively, in its callback to data manager 18, index manager 18 may pass a RID identifying a row in data table 10 which matches the data predicates defined by the query, or which is otherwise

to be returned to runtime 14. In such a case the preferred embodiment maintains the latch on the data page and data manager 16 returns a successful result to index manager 18. Index manager 18 then releases the latch on the page in index 12 containing the current index node. Index manager 18 returns the key and RID to data manager 16. Upon return from index manager 18, the data page in data table 10 remains latched and the position of the table's row is used to process the return of the data from data manager 16 to runtime 14. In this case, the preferred embodiment offers no performance improvement over prior art approaches but neither is there a significant inefficiency introduced in the steps carried out.

As can be seen from the above description, the approach of the preferred embodiment provides the advantage of avoiding repeated calls to index manager 18 from data manager 16, where RIDs located by index manager 18 relate to rows in data table 10 which are not returned to runtime 14.

In RDBMSs which permit concurrent access to data tables and indices, mechanisms are implemented to latch portions of the data tables and indices. The latches may apply to pages or to individual rows or records in the data tables or indices. Latches may be exclusive or sharable. Where an index manager returns a RID which corresponds to a key value, the key value and RID are copied from the index leaf page to permit the index manager to continue with a scan through the index for a subsequent call based on that key RID previously returned. The index manager then releases or unlatches the index leaf page containing the key and RID, returned.

In the implementation of the preferred embodiment, it is important to note that latching of the data and index pages is done in a share mode (a read access mode). Because there are no exclusive latches in the above execution path, this callback mechanism avoids a "dead latch" situation, a dead lock relating to the latching requirements of the different processes.

A further issue raised with the preferred embodiment relates to index manager 18 holding an index page latched while index manager 18 performs a callback to data manager 16. As will be apparent, data manager 16 will access data table 10 based on the RID passed to data manager 16 by index manager 18. The access of the data table by data manager 16 may result in the required data page

from data table 10 being read from disk into a buffer pool memory. Because such I/O operations are expensive, the latch held by index manager 18 on the page in index 12 may extend for an undesirable length of time and therefore result in unacceptable wait times for other processes seeking to use the page in the index.

5 To reduce the occurrences of an index page being held latched across a data page I/O operation, the preferred embodiment includes a precondition that must be satisfied before the callback to data manager 16 is carried out. Index manager 18 determines whether there are any processes or threads waiting for an exclusive latch on the index page in question. In the preferred embodiment, this inquiry is made to a latch manager component in the RDBMS. If there are no processes waiting for
10 an exclusive latch on the index page, the callback to data manager 16 is made. If there is a process waiting for an exclusive latch on the index page in index 12, then the key value and RID are copied from the page in index 12 and the index page is released, or unlatched, before the callback is done. The benefit of the callback procedure is reduced in this second circumstance. The instruction code path for the entry and exit of index manager 18 is avoided but a cost is incurred in copying the key
15 value and RID before unlatching the page.

It will be appreciated by those skilled in the art that other approaches may be taken to prevent undesirably long latches being held on the pages in index 12. For example, index manager 18 may determine whether the page corresponding to the RID is in the data table buffer pool at the time that the callback is being carried out. An alternative approach is for data manager 16 to determine
20 whether an I/O operation will be required for each page accessed. If an I/O operation is required, then the indexed page may be released.

Although a preferred embodiment of the present invention has been described here in detail, it will be appreciated by those skilled in the art, that variations may be made thereto. Such variations may be made without departing from the spirit of the invention or the scope of the appended claims.

25

The embodiments of the invention in which an exclusive property or privilege is claimed are defined as follows:

1. A method for processing a database query in a database management system comprising a data manager, a set of data, an index manager and an index on the data, the data manager supporting index-data fetches, predicate checking and data consuming operations, the method comprising the steps of:
 - a. calling the data manager to access query-specified data in the set of data,
 - b. for an index-data fetch, the data manager calling the index manager to locate a data identifier in the index corresponding to a selected key value, and where a predicate check or data consuming operation is possible, the data manager requesting a callback from the index manager,
 - c. the index manager carrying out index manager index-data fetch steps by
 - i. locating a data identifier in the index for the selected key value and where there is no data identifier for the selected key value, returning a result of no index entry found,
 - ii. where a data identifier is located and a callback is requested, the index manager initiating a callback to the data manager for determining whether the data specified by the data identifier is to be returned to the runtime,
 - iii. the data manager locating the data specified by the data identifier and determining whether a predicate check or consuming operation on the data are possible and where such operations are possible carrying out the operations and returning a no data return condition to the index manager, and
 - d. where the index manager receives a no data return condition from the callback to the data manager, and where there is a next data identifier for the selected key value in

the index the index manager, the index manager continuing to carry out the index manager index-data fetch steps for the next data identifier.

2. The method of claim 1, the index comprising pages having index nodes, the method further comprising the steps of the index manager stabilizing the page containing the node to be
5 accessed in the index to locate the data identifier for the selected key value, and the index manager not releasing the stabilization of the page during callback to the data manager.
3. The method of claim 1, the index comprising pages having index nodes, the database management system supporting a set of access processes potentially able to access the index, the method further comprising the step determining if a one of the set of access processes is
10 waiting for an exclusive latch for accessing the index, and if there is such an access process, the index manager copying the data identifier and key value from the index and releasing stabilization of any pages in the index prior to any callback to the data manager.
4. A program storage device readable by a machine, tangibly embodying a program of instructions executable by the machine to perform method steps for processing queries for
15 a database, said method steps comprising the method steps of claim 1, 2 or 3.
5. A method for processing a database query in a database management system to return data to a user, the database management system comprising a set of data, and an index on the set of data, the database management system supporting an index-data fetch operation and supporting a pushdown index-data fetch operation where a subset of the set of data is
20 accessed without the subset being returned to the user, the method comprising the steps of:
 - a. a data access step to locate an identified portion of the set of data corresponding to a located data identifier where for an index-data fetch the data access step uses an index access step to determine the located data identifier for a specified key value,
 - b. the index access step locating the data identifier in the index for the specified key
25 value, or returning a not found indicator where there is no data identifier in the index

for the specified key value,

- 5 c. where a database query is processed having a potential pushdown index-data fetch, the index access step using a callback to perform the data access step for carrying out the potential push-down process for successive data identifiers in the index for the specified key value.

6. The method of claim 5, the index comprising pages having index nodes and in which the index access step comprises the step of stabilizing the page containing the node to be accessed in the index for locating the data identifier for the selected key value, and index access step comprises the step of releasing the stabilization of the page only after completion
10 of any callback data access steps.

7. The method of claim 5, the index comprising pages having index nodes, the database management system supporting a set of access processes potentially able to access the index, the method further comprising the step determining if a one of the set of access processes is waiting for an exclusive latch for accessing the index, and where a one of the access
15 processes is waiting, the index access step copying the data identifier and key value from the index and releasing stabilization of any pages in the index prior to the callback to perform the data access step.

8. A program storage device readable by a machine, tangibly embodying a program of instructions executable by the machine to perform method steps for processing queries for
20 a database, said method steps comprising the method steps of claim 5, 6 or 7.

9. A query processing system comprising a data manager, a set of data, an index manager and an index on the set of data, the data manager supporting index-data fetches, and predicate checking and data consuming operations,

the data manager comprising

25 a callback-enabling component for an index-data fetch where a predicate check or data

consuming operation is possible, the callback-enabling component requesting a callback from the index manager,

a callback-execution component for determining if a predicate check or consuming operation on a defined subset of the set of data is possible and where such operations are possible, carrying out the operations and returning a no data return condition,

the index manager comprising

a data manager callback component for initiating a callback to the data manager for an index-specified subset of the ordered set of data to determine if a predicate check or consuming operation on the index-specified defined subset of the set of data is possible,

an index access component for continuing the index-data fetch steps by locating the next one of the data identifiers for the selected key value or returning a result of no index entry found, the index access component being invoked where the index manager receives a no data return condition from a callback to the data manager.

10. The query processing system of claim 9, the index being stored on pages, the index manager further comprising a stabilizing component for stabilizing the page containing a portion of the index to be accessed to locate a data identifier for a selected key value, the stabilizing component not releasing the stabilization of the page during callback to the data manager.

11. The query processing system of claim 9, the index being stored on pages, the query processing system supporting a set of access processes potentially able to access the index, the query processing system further comprising a stabilization component for determining if a one of the set of access processes is waiting for an exclusive latch for accessing the index, and where there is such an access process, the stabilization component copying the data identifier and key value from the index and releasing stabilization of any pages in the index prior to any callback to the data manager.

12. In a relational database management system comprising table data and an index on the table

data, an improved data manager and an improved index manager,

the data manager supporting pushdown processing and comprising

a callback-enabling component for an index-data fetch where pushdown processing is possible, the callback-enabling component requesting a callback from the index manager,

5 a callback-execution component for determining if for a specified row, pushdown processing is possible and where such processing is possible, carrying out the processing and returning a no data return condition,

the index manager comprising

10 a data manager callback component for initiating a callback to the data manager for an index-specified row in the table data to determine if pushdown processing on the row is possible,

an index access component for continuing the index-data fetch steps by continuing to access the index and use the data manager callback component where the index manager receives a no data return condition from a callback to the data manager.

15 13. The improved data manager and improved index manager of claim 12, the index being stored on pages, the index manager further comprising a stabilizing component for stabilizing a page containing a portion of the index to be accessed to locate a data identifier for a selected key value, the stabilizing component not releasing the stabilization of the page during callback to the data manager.

20 14. The improved data manager and improved index manager of claim 12, the index being stored on pages, the relational database management system supporting a set of access processes potentially able to access the index, the index manager further comprising stabilization component for determining if a one of the set of access processes is waiting for an exclusive latch for accessing the index, and where there is such an access process, the stabilization

component copying the data identifier and key value from the index and releasing stabilization of any pages in the index prior to any callback to the data manager.

FIG. 1

