



US00D888486S

(12) **United States Design Patent**  
**Yang et al.**

(10) **Patent No.:** **US D888,486 S**

(45) **Date of Patent:** **\*\* Jun. 30, 2020**

- (54) **BEVERAGE MACHINE**
- (71) Applicant: **BONNE O INC.**, Toronto (CA)
- (72) Inventors: **Danian Yang**, Toronto (CA); **Randy Yang**, Toronto (CA); **Ryan Day**, Victoria (CA); **Thomas Roy Sawyer**, Toronto (CA)
- (73) Assignee: **BONNE O INC.**, Toronto (CA)
- (\*\*) Term: **15 Years**
- (21) Appl. No.: **29/668,406**
- (22) Filed: **Oct. 30, 2018**
- (30) **Foreign Application Priority Data**  
 May 4, 2018 (CA) ..... 181210
- (51) **LOC (12) Cl.** ..... **07-01**
- (52) **U.S. Cl.**  
 USPC ..... **D7/306; D7/311; D7/309**
- (58) **Field of Classification Search**  
 USPC ..... D7/300, 306-311, 305, 397, 355, 362,  
 D7/365, 367, 399; 222/146.6, 185.1, 135;  
 99/295, 323.1  
 CPC ..... A47J 31/02; A47J 31/407; A47J 31/18;  
 A47J 31/061; A47J 31/4403; B67D  
 1/0869; B67D 1/0004; B67D 1/0036  
 See application file for complete search history.

D707,791 S *	6/2014	Beghelli	.....	D23/207
D724,369 S *	3/2015	Cahen	.....	D7/309
D728,987 S *	5/2015	Cahen	.....	D7/309
D738,149 S *	9/2015	Ye	.....	D7/306
D747,144 S *	1/2016	Sun	.....	D7/509
D755,001 S *	5/2016	Lintner	.....	D7/306
D779,257 S *	2/2017	Hale	.....	D7/306
D796,885 S *	9/2017	Wang	.....	D7/306
D812,952 S *	3/2018	Fedorak	.....	D7/306
D840,733 S *	2/2019	Hale	.....	D7/306
D853,166 S *	7/2019	Koury	.....	D7/306
D853,167 S *	7/2019	Koury	.....	D7/306
2008/0134902 A1*	6/2008	Zimmerman	.....	A47J 31/32 99/302 R
2010/0024658 A1*	2/2010	Jacobs	.....	A47J 31/469 99/302 R

\* cited by examiner

*Primary Examiner* — Marianne N Pandozzi  
(74) *Attorney, Agent, or Firm* — Bereskin & Parr  
LLP/S.E.N.C.R.L.,s.r.l.

(57) **CLAIM**

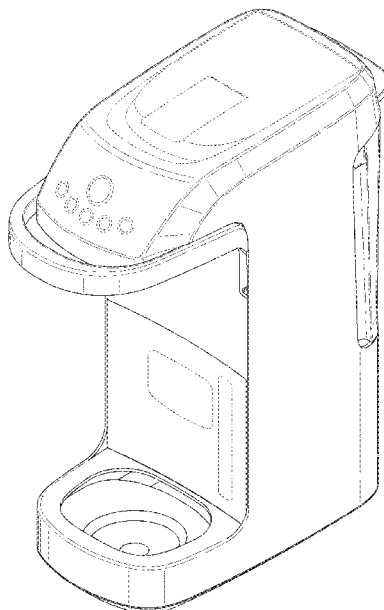
The ornamental design for a beverage machine, as shown and described.

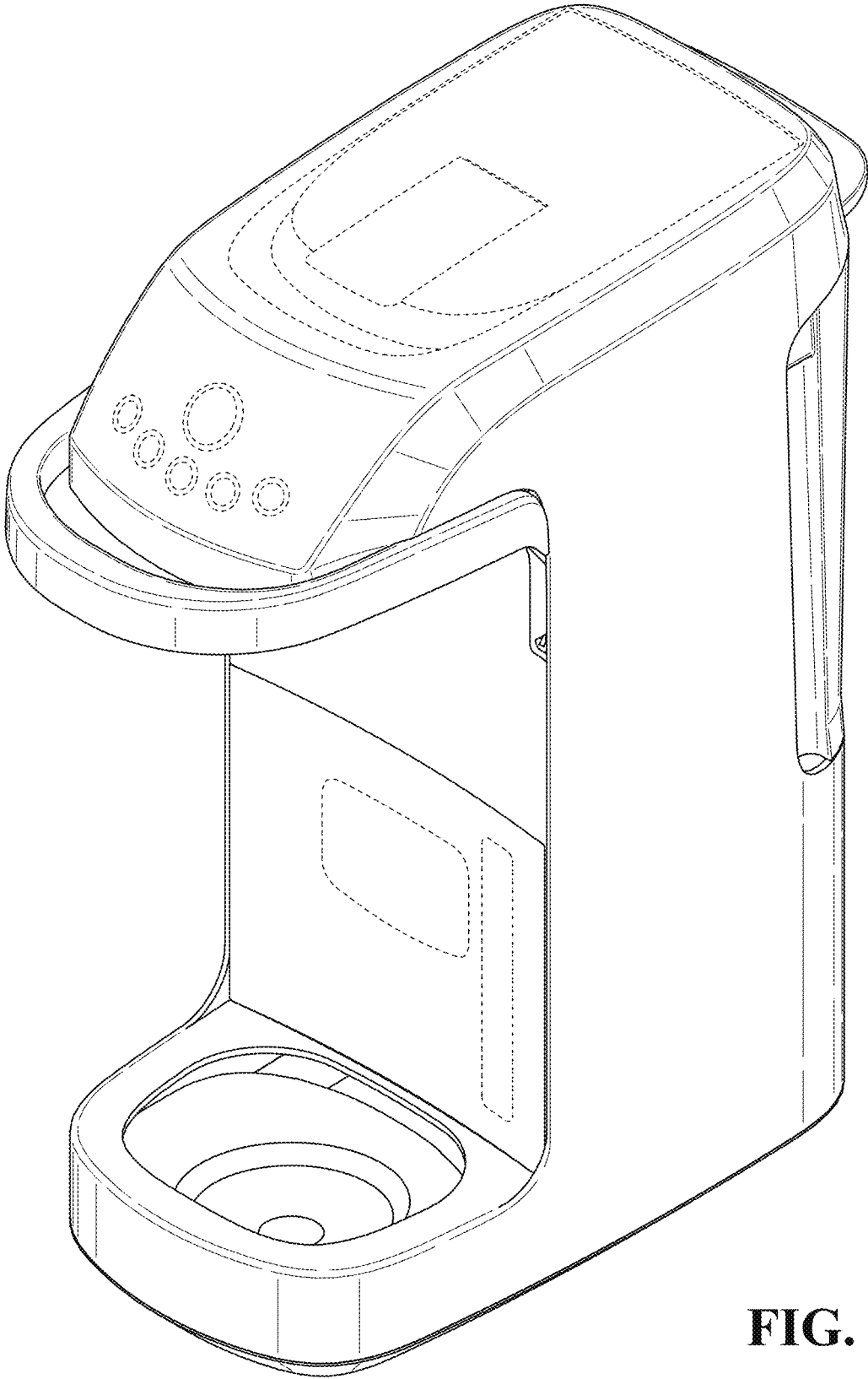
**DESCRIPTION**

FIG. 1 is a front perspective view of a beverage machine in accordance with said Industrial Design; FIG. 2 is a rear perspective view thereof; FIG. 3 is a front elevation view thereof; FIG. 4 is a rear elevation view thereof; FIG. 5 is a right side elevation view thereof; FIG. 6 is a left side elevation view thereof; FIG. 7 is a top plan view thereof; and, FIG. 8 is a bottom plan view thereof. The broken lines in the drawings depict portions of the beverage machine that form no part of the claimed design.

**1 Claim, 8 Drawing Sheets**

- (56) **References Cited**  
 U.S. PATENT DOCUMENTS  
 D649,392 S \* 11/2011 Cahen ..... D7/306  
 D666,051 S \* 8/2012 de Pra ..... D7/309  
 D687,662 S \* 8/2013 Beghelli ..... D7/306  
 D687,664 S \* 8/2013 Beghelli ..... D7/306  
 D707,790 S \* 6/2014 Beghelli ..... D23/207





**FIG. 1**

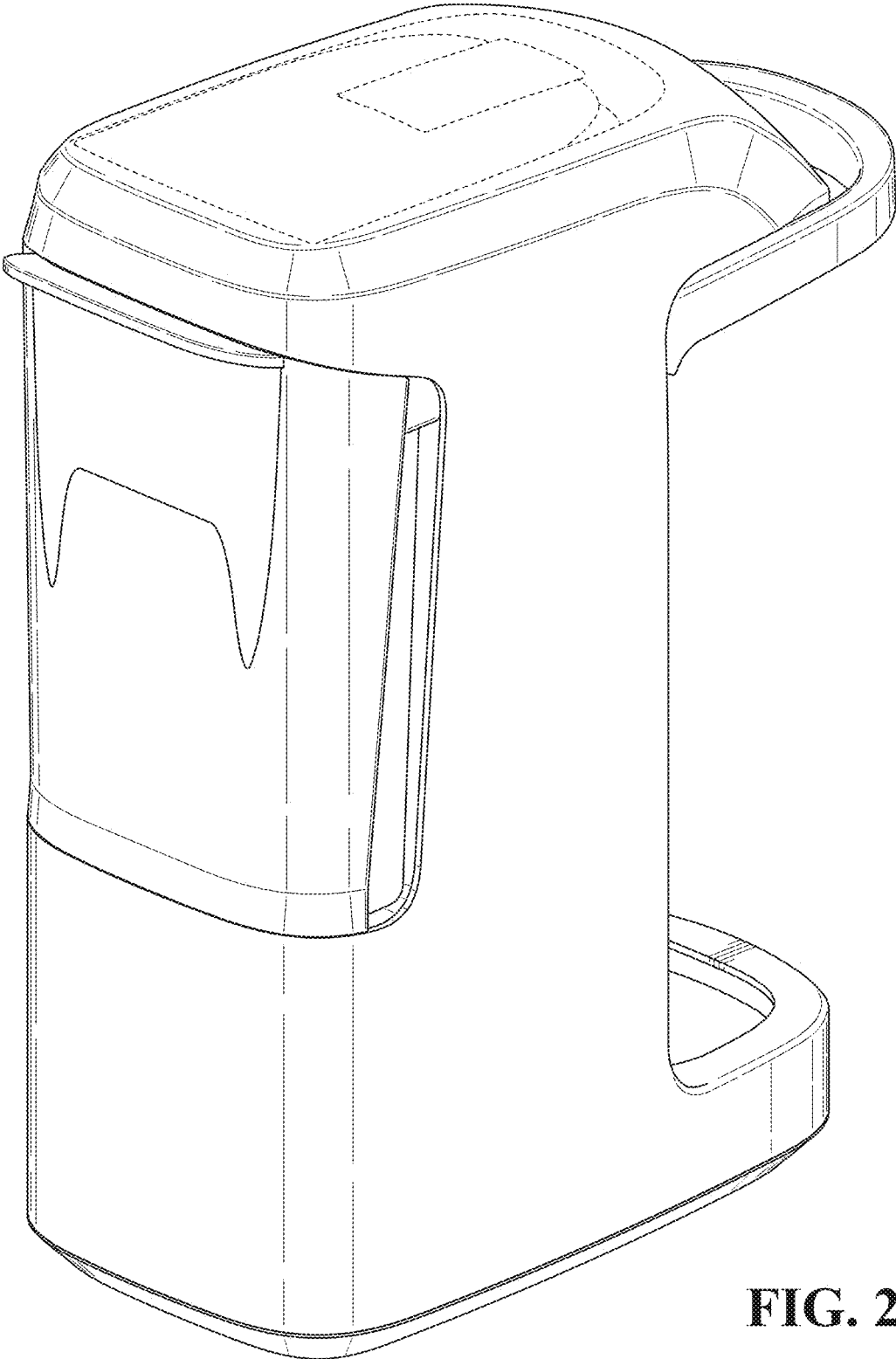


FIG. 2

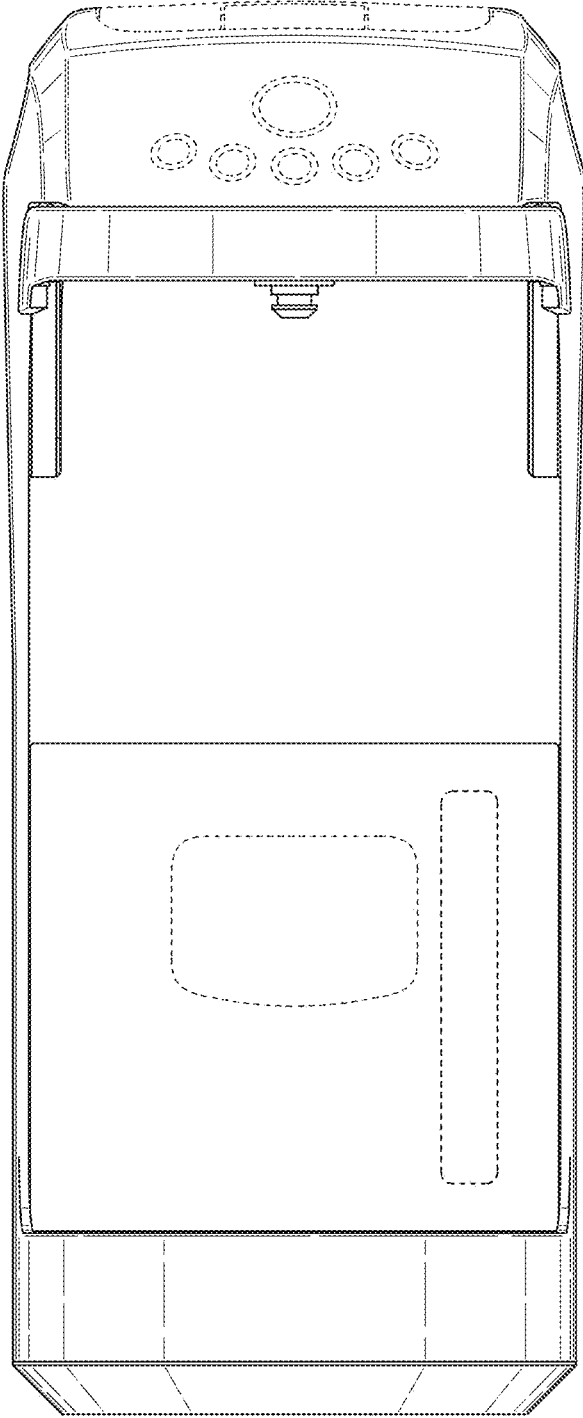


FIG. 3

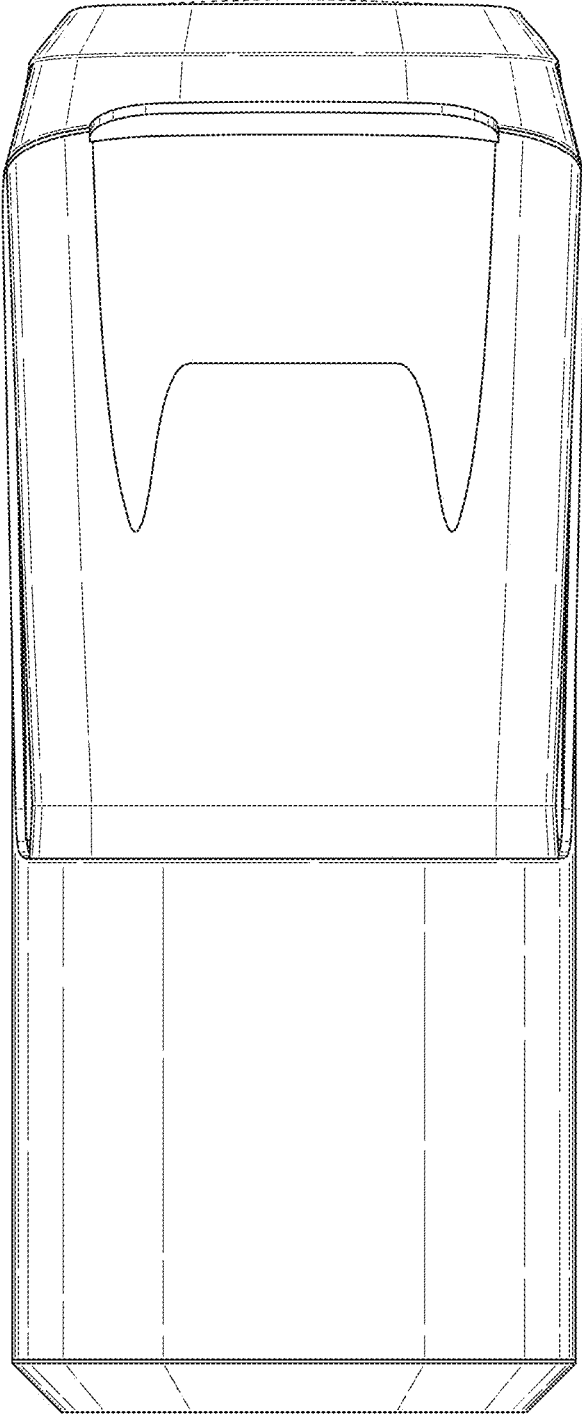


FIG. 4

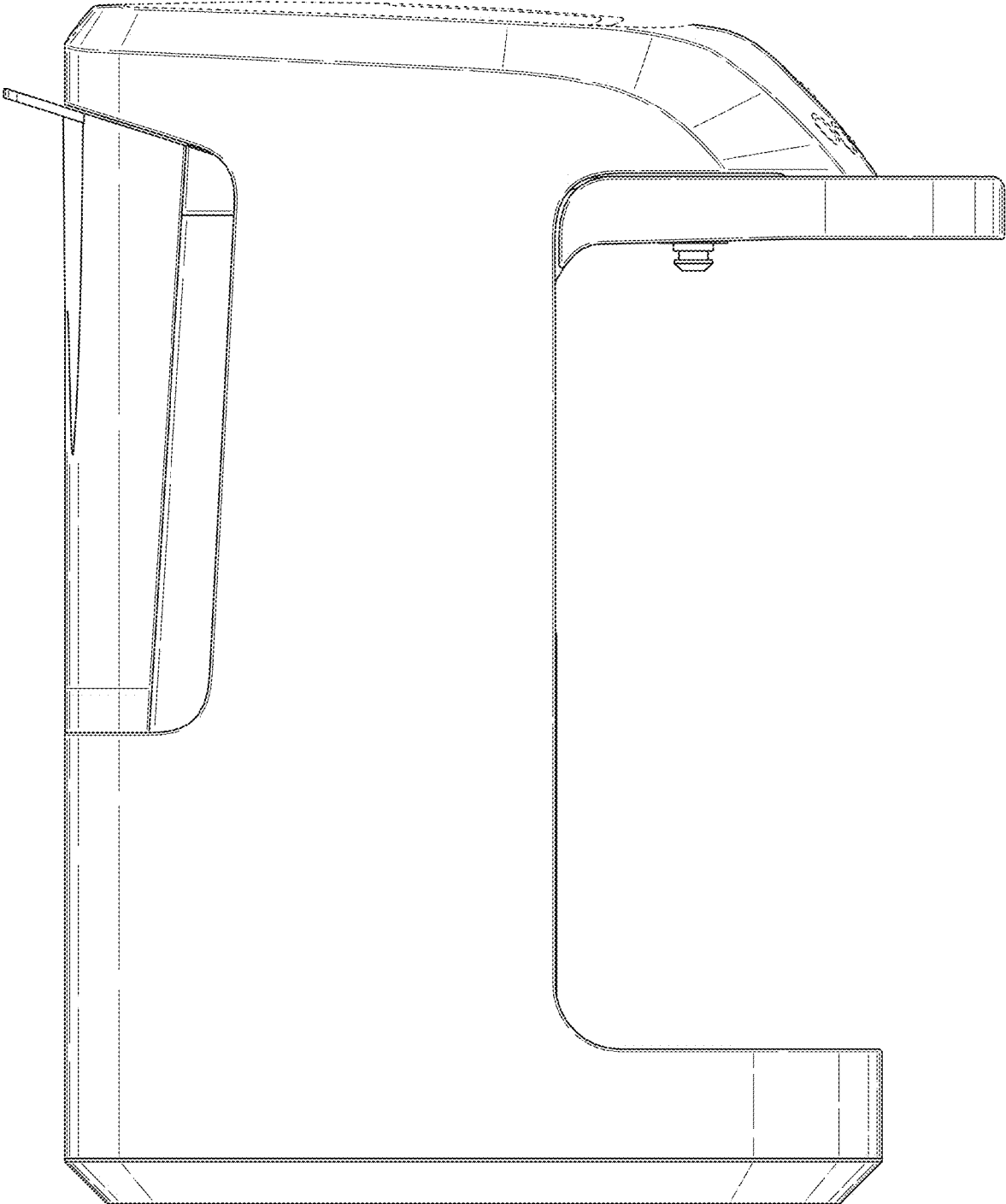


FIG. 5

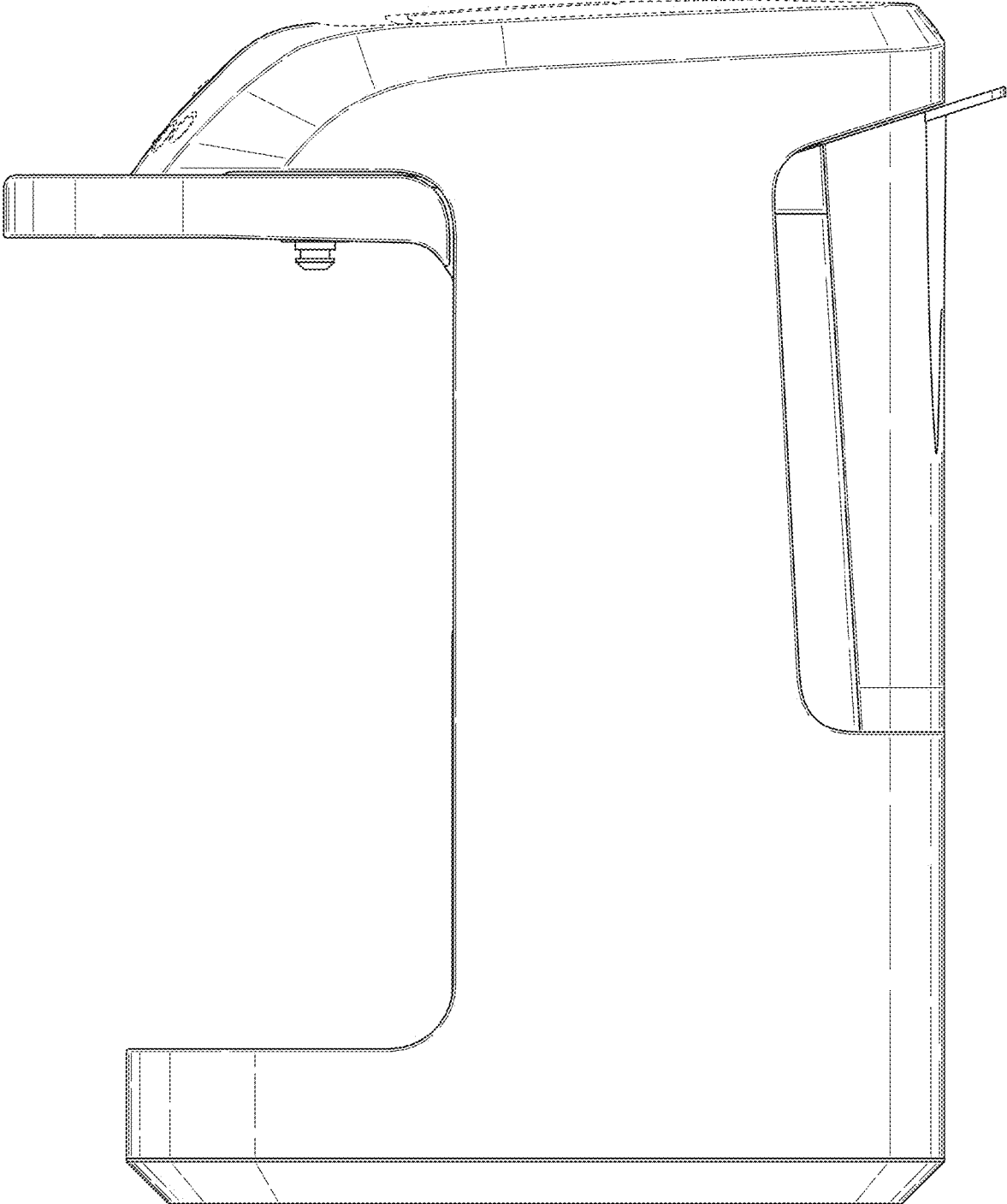


FIG. 6

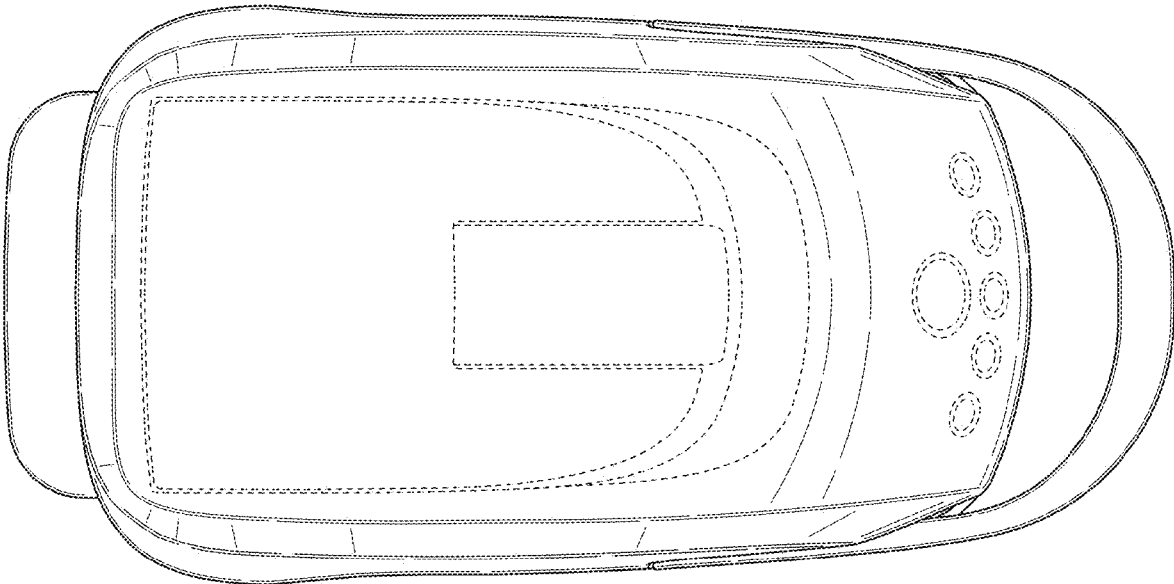


FIG. 7

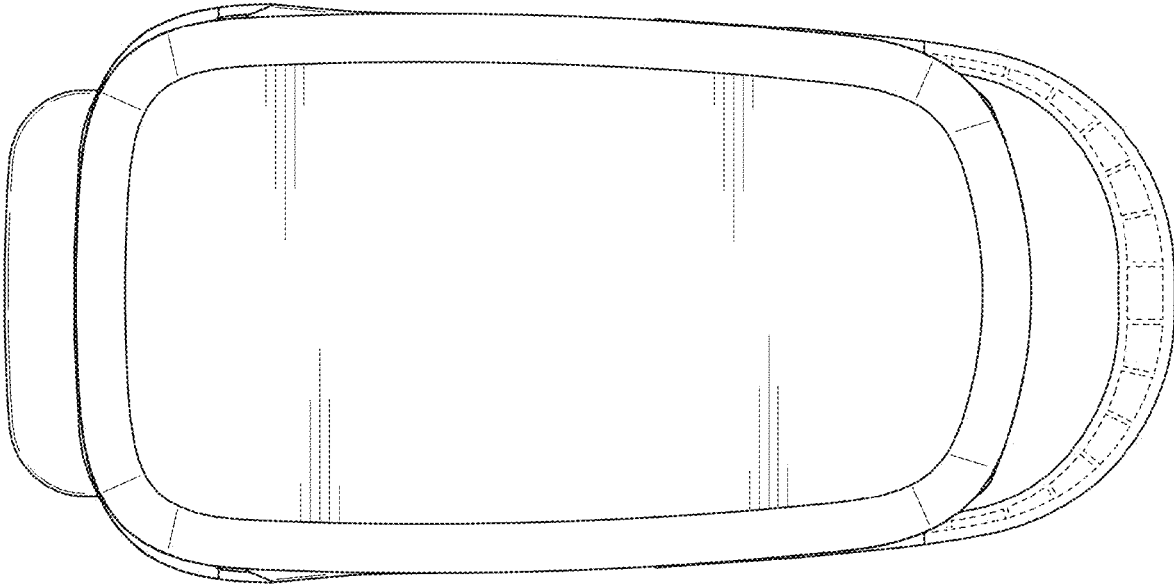


FIG. 8