

(19) World Intellectual Property Organization
International Bureau



(43) International Publication Date
27 July 2006 (27.07.2006)

PCT

(10) International Publication Number
WO 2006/077488 A3

- (51) International Patent Classification:
H01L 33/00 (2006.01)
- (21) International Application Number:
PCT/IB2006/000089
- (22) International Filing Date: 20 January 2006 (20.01.2006)
- (25) Filing Language: Italian
- (26) Publication Language: English
- (30) Priority Data:
TO2005A000028 21 January 2005 (21.01.2005) IT
- (71) Applicant (for all designated States except US): **SPACE CANNON vH S.P.A.** [IT/IT]; Strada per Felizzano 14, I-15043 Fubine (IT).
- (72) Inventor; and
- (75) Inventor/Applicant (for US only): **BAIARDI, Bruno** [IT/IT]; Via Colli, 12, I-15023 Felizzano (IT).
- (74) Agent: **DINI, Roberto**; c/o Metroconsult S.r.l., Piazza Cavour, 3, I-10060 None (IT).
- (81) Designated States (unless otherwise indicated, for every kind of national protection available): AE, AG, AL, AM, AT, AU, AZ, BA, BB, BG, BR, BW, BY, BZ, CA, CH, CN,

CO, CR, CU, CZ, DE, DK, DM, DZ, EC, EE, EG, ES, FI, GB, GD, GE, GH, GM, HR, HU, ID, IL, IN, IS, JP, KE, KG, KM, KN, KP, KR, KZ, LC, LK, LR, LS, LT, LU, LV, LY, MA, MD, MG, MK, MN, MW, MX, MZ, NA, NG, NI, NO, NZ, OM, PG, PH, PL, PT, RO, RU, SC, SD, SE, SG, SK, SL, SM, SY, TJ, TM, TN, TR, TT, TZ, UA, UG, US, UZ, VC, VN, YU, ZA, ZM, ZW.

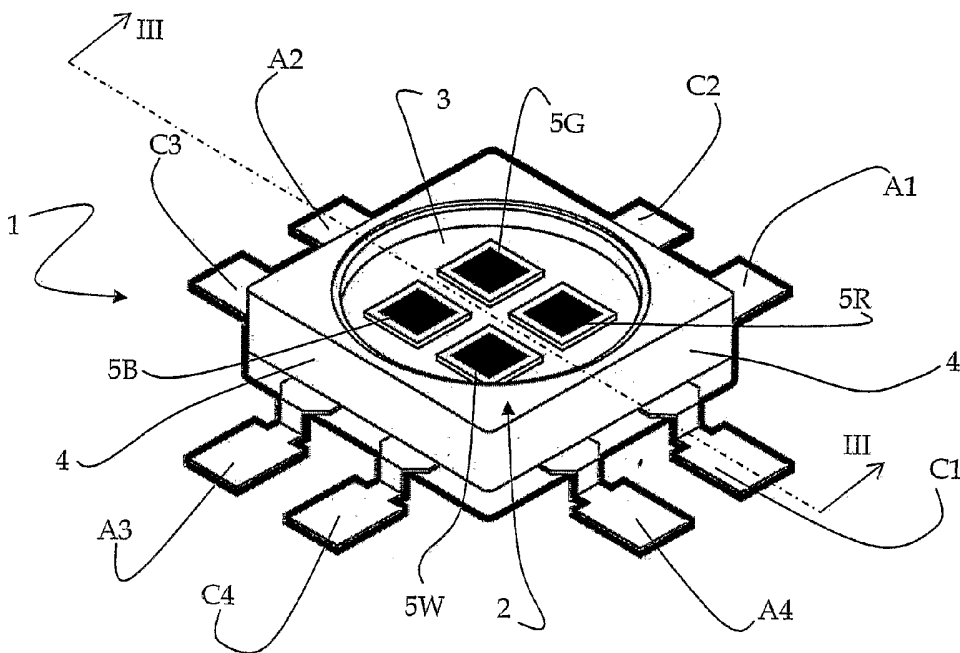
(84) Designated States (unless otherwise indicated, for every kind of regional protection available): ARIPO (BW, GH, GM, KE, LS, MW, MZ, NA, SD, SL, SZ, TZ, UG, ZM, ZW), Eurasian (AM, AZ, BY, KG, KZ, MD, RU, TJ, TM), European (AT, BE, BG, CH, CY, CZ, DE, DK, EE, ES, FI, FR, GB, GR, HU, IE, IS, IT, LT, LU, LV, MC, NL, PL, PT, RO, SE, SI, SK, TR), OAPI (BF, BJ, CF, CG, CI, CM, GA, GN, GQ, GW, ML, MR, NE, SN, TD, TG).

Published:
— with international search report
— before the expiration of the time limit for amending the claims and to be republished in the event of receipt of amendments

(88) Date of publication of the international search report:
7 December 2006

[Continued on next page]

(54) Title: LED DEVICE COMPRISING A PLURALITY OF LED DIODES



(57) Abstract: A LED (Light Emitting Diode) device is described, being of a type comprising: a structure (2) having abase (3, 3') and side walls (4); a light source comprising a plurality of LED diodes (5R, 5G, 5B, 5W). The invention is characterized in that said plurality of LED diodes (5R, 5G, 5B, 5W) comprises four LED diodes (5R, 5G, 5B, 5W) positioned on said base (3, 3') according to a matrix pattern.

WO 2006/077488 A3



For two-letter codes and other abbreviations, refer to the "Guidance Notes on Codes and Abbreviations" appearing at the beginning of each regular issue of the PCT Gazette.

INTERNATIONAL SEARCH REPORT

International application No
PCT/IB2006/000089A. CLASSIFICATION OF SUBJECT MATTER
INV. H01L33/00

According to International Patent Classification (IPC) or to both national classification and IPC

B. FIELDS SEARCHED

Minimum documentation searched (classification system followed by classification symbols)
H01L

Documentation searched other than minimum documentation to the extent that such documents are included in the fields searched

Electronic data base consulted during the international search (name of data base and, where practical, search terms used)

EPO-Internal

C. DOCUMENTS CONSIDERED TO BE RELEVANT

Category*	Citation of document, with indication, where appropriate, of the relevant passages	Relevant to claim No.
Y	US 6 335 548 B1 (ROBERTS JOHN K ET AL) 1 January 2002 (2002-01-01) abstract column 11, line 55 - column 16, line 30 column 29, line 61 - column 30, line 23 column 30, line 61 - column 31, line 12 column 31, line 54 - column 33, line 7 figure 19 figures 16,18	1-17
Y	US 2002/186214 A1 (SIWINSKI MICHAEL J) 12 December 2002 (2002-12-12) abstract paragraphs [0001], [0003], [0009] - [0020] figure 2	1-7,9-17
	----- -/--	

 Further documents are listed in the continuation of Box C. See patent family annex.

* Special categories of cited documents :

- *A* document defining the general state of the art which is not considered to be of particular relevance
- *E* earlier document but published on or after the international filing date
- *L* document which may throw doubts on priority claim(s) or which is cited to establish the publication date of another citation or other special reason (as specified)
- *O* document referring to an oral disclosure, use, exhibition or other means
- *P* document published prior to the international filing date but later than the priority date claimed

- *T* later document published after the international filing date or priority date and not in conflict with the application but cited to understand the principle or theory underlying the invention
- *X* document of particular relevance; the claimed invention cannot be considered novel or cannot be considered to involve an inventive step when the document is taken alone
- *Y* document of particular relevance; the claimed invention cannot be considered to involve an inventive step when the document is combined with one or more other such documents, such combination being obvious to a person skilled in the art.
- *Z* document member of the same patent family

Date of the actual completion of the international search

25 September 2006

Date of mailing of the international search report

06/10/2006

Name and mailing address of the ISA/

European Patent Office, P.B. 5818 Patentlaan 2
NL - 2280 HV Rijswijk
Tel. (+31-70) 340-2040, Tx. 31 651 epo nl,
Fax: (+31-70) 340-3016

Authorized officer

BERNABE PRIETO, A

INTERNATIONAL SEARCH REPORT

International application No
PCT/IB2006/000089

C(Continuation). DOCUMENTS CONSIDERED TO BE RELEVANT

Category*	Citation of document, with indication, where appropriate, of the relevant passages	Relevant to claim No.
Y	EP 0 367 848 A (HONEYWELL INC) 16 May 1990 (1990-05-16) abstract column 2, line 50 - column 3, line 30 column 4, line 55 - column 5, line 56 column 5, line 57 - column 7, line 24 figure 4 -----	1-6,8-17
Y	US 2004/178974 A1 (MILLER MICHAEL E ET AL) 16 September 2004 (2004-09-16) abstract paragraphs [0007] - [0011], [0023] - [0033], [0037], [0038] figures 3,4 -----	1-7,9-17
Y	US 4 589 734 A (NEEDHAM ET AL) 20 May 1986 (1986-05-20) column 2, line 68 - column 3, line 10 -----	8

INTERNATIONAL SEARCH REPORT

Information on patent family members

International application No PCT/IB2006/000089

Patent document cited in search report	Publication date	Patent family member(s)	Publication date	
US 6335548	B1	01-01-2002	AU 3899500 A	04-10-2000
			CA 2373368 A1	21-09-2000
			EP 1169735 A1	09-01-2002
			JP 2002539623 T	19-11-2002
			JP 2005005740 A	06-01-2005
			WO 0055914 A1	21-09-2000
			US 2002004251 A1	10-01-2002
US 2002186214	A1	12-12-2002	NONE	
EP 0367848	A	16-05-1990	US 4800375 A 24-01-1989	
US 2004178974	A1	16-09-2004	US 2004178743 A1 16-09-2004	
US 4589734	A	20-05-1986	AU 559396 B2	12-03-1987
			AU 1563083 A	22-12-1983
			DE 3369007 D1	12-02-1987
			EP 0096856 A1	28-12-1983
			GB 2122794 A	18-01-1984